



US00D739540S

(12) **United States Design Patent**
Almonte

(10) **Patent No.:** **US D739,540 S**

(45) **Date of Patent:** **** Sep. 22, 2015**

(54) **FLORAL THEMED NIPPLE STYLE BOTTLE TOP**

(71) Applicant: **Gina Almonte**, Tampa, FL (US)

(72) Inventor: **Gina Almonte**, Tampa, FL (US)

(**) Term: **14 Years**

(21) Appl. No.: **29/510,972**

(22) Filed: **Dec. 4, 2014**

(51) **LOC (10) Cl.** **07-01**

(52) **U.S. Cl.**
USPC **D24/198**; D24/195

(58) **Field of Classification Search**
USPC D24/127, 128, 129, 193, 194, 195, 196,
D24/197, 198, 199, 207; D9/444, 447, 452,
D9/516, 608, 668, 719, 761; 220/227, 235,
220/694, 703, 714, 727, 745; 215/11.1,
215/11.2, 11.3, 11.4, 11.5, 11.6, 41;
D7/392, 510, 511; 606/236
CPC A61J 9/00; A61J 11/001; A61J 11/0035
See application file for complete search history.

(56) **References Cited**

U.S. PATENT DOCUMENTS

D167,466 S * 8/1952 Lobl D24/196
2,688,326 A * 9/1954 Lerman 215/11.1
D228,867 S * 10/1973 Mallonn D7/391
D576,735 S * 9/2008 Strickler et al. D24/199

D630,334 S * 1/2011 Paige D24/196
D636,495 S * 4/2011 Pukall et al. D24/193
D650,677 S * 12/2011 Wurster et al. D9/516
D656,026 S * 3/2012 Quasters D9/516
8,152,012 B1 * 4/2012 Berglund 215/396
D727,513 S * 4/2015 Tu D24/199
2007/0208379 A1 * 9/2007 Kessler et al. 606/234
2009/0159551 A1 * 6/2009 Viggiano 215/11.5
2010/0137906 A1 * 6/2010 Stalling et al. 606/236

* cited by examiner

Primary Examiner — Robert M Spear

Assistant Examiner — Kendra L. Hamilton

(74) *Attorney, Agent, or Firm* — Gulf Coast Intellectual Property Group

(57) **CLAIM**

The ornamental design for the floral themed nipple style bottle top, as shown and described.

DESCRIPTION

FIG. 1 is a front elevation view of a flower themed nipple style bottle top;

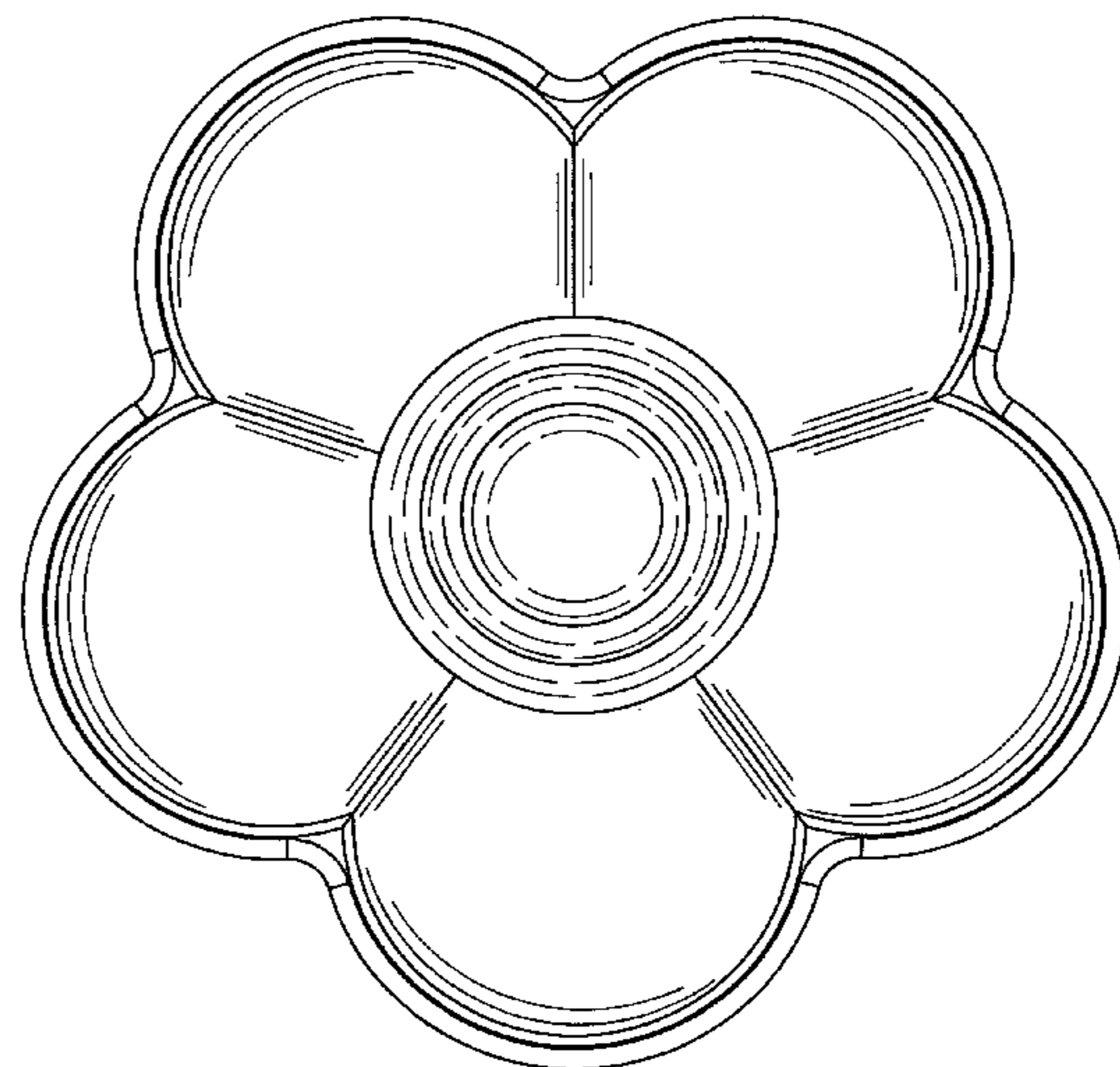
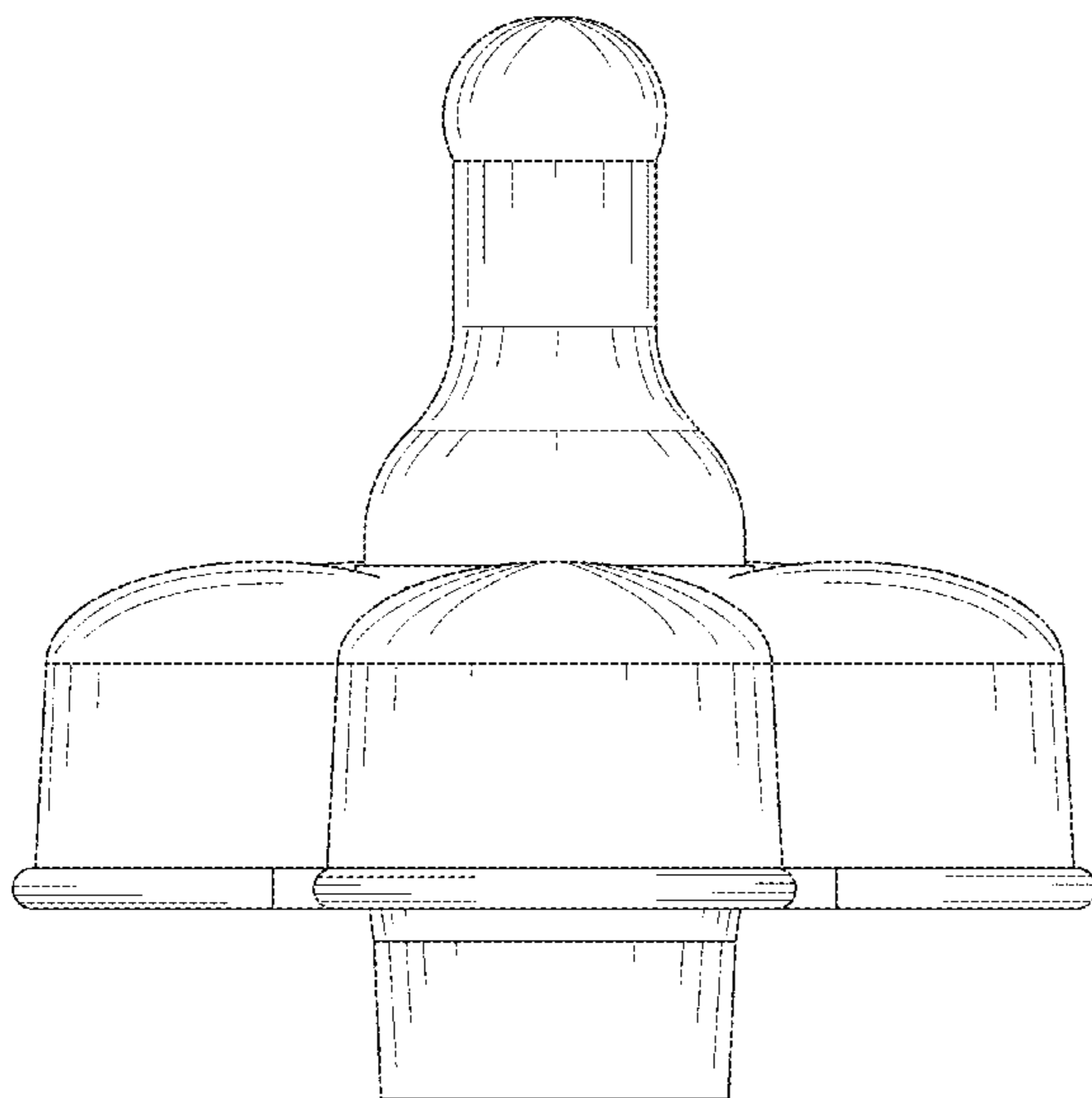
FIG. 2 is a second side elevation view of the bottle top, rotated 72 degrees to the right;

FIG. 3 is a third side elevation view of the bottle top, rotated an additional 72 degrees to the right;

FIG. 4 is a fourth side elevation view of the bottle top, rotated an additional 72 degrees to the right; and,

FIG. 5 is a top plan view thereof.

1 Claim, 5 Drawing Sheets



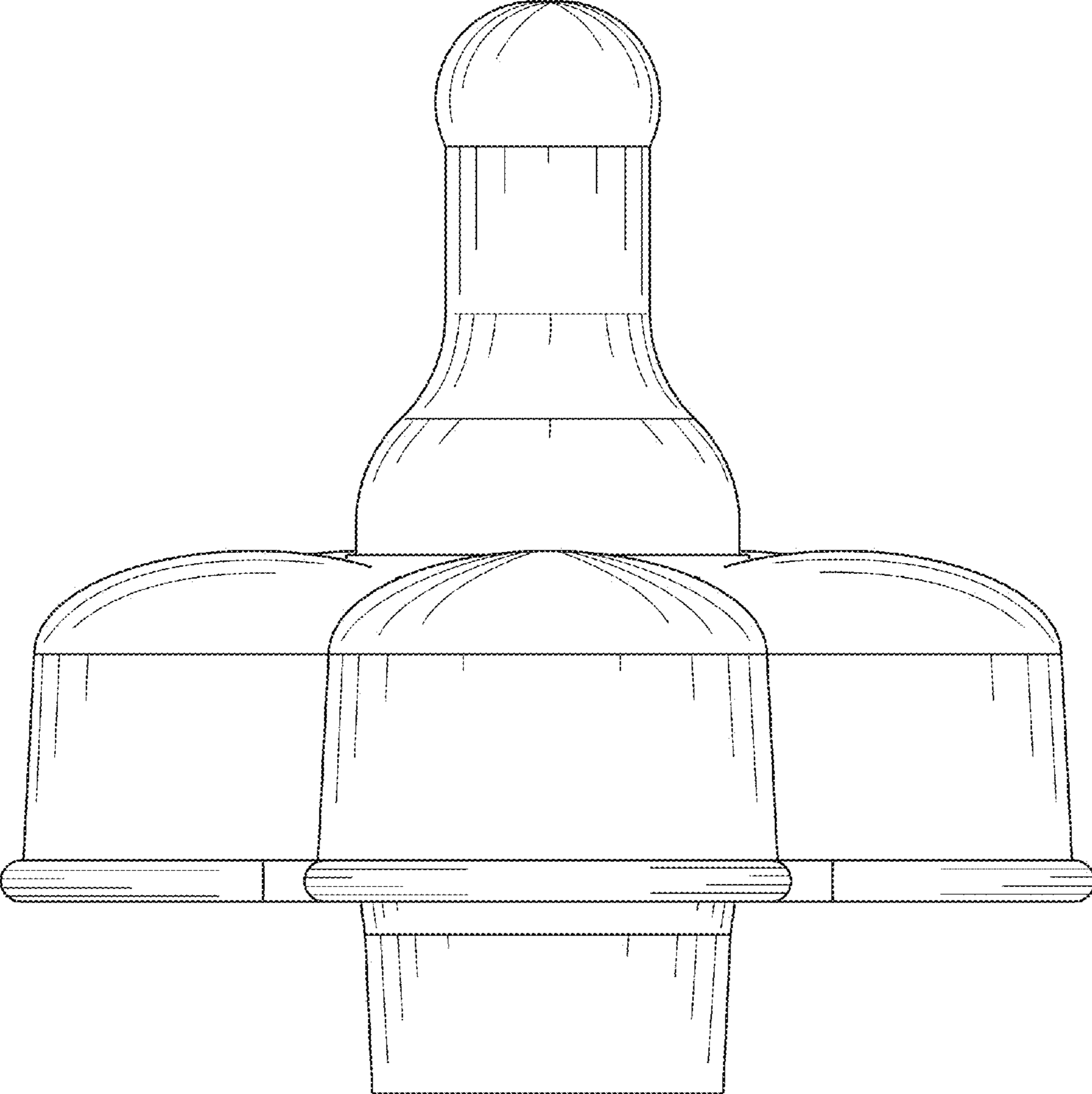


FIG. 1

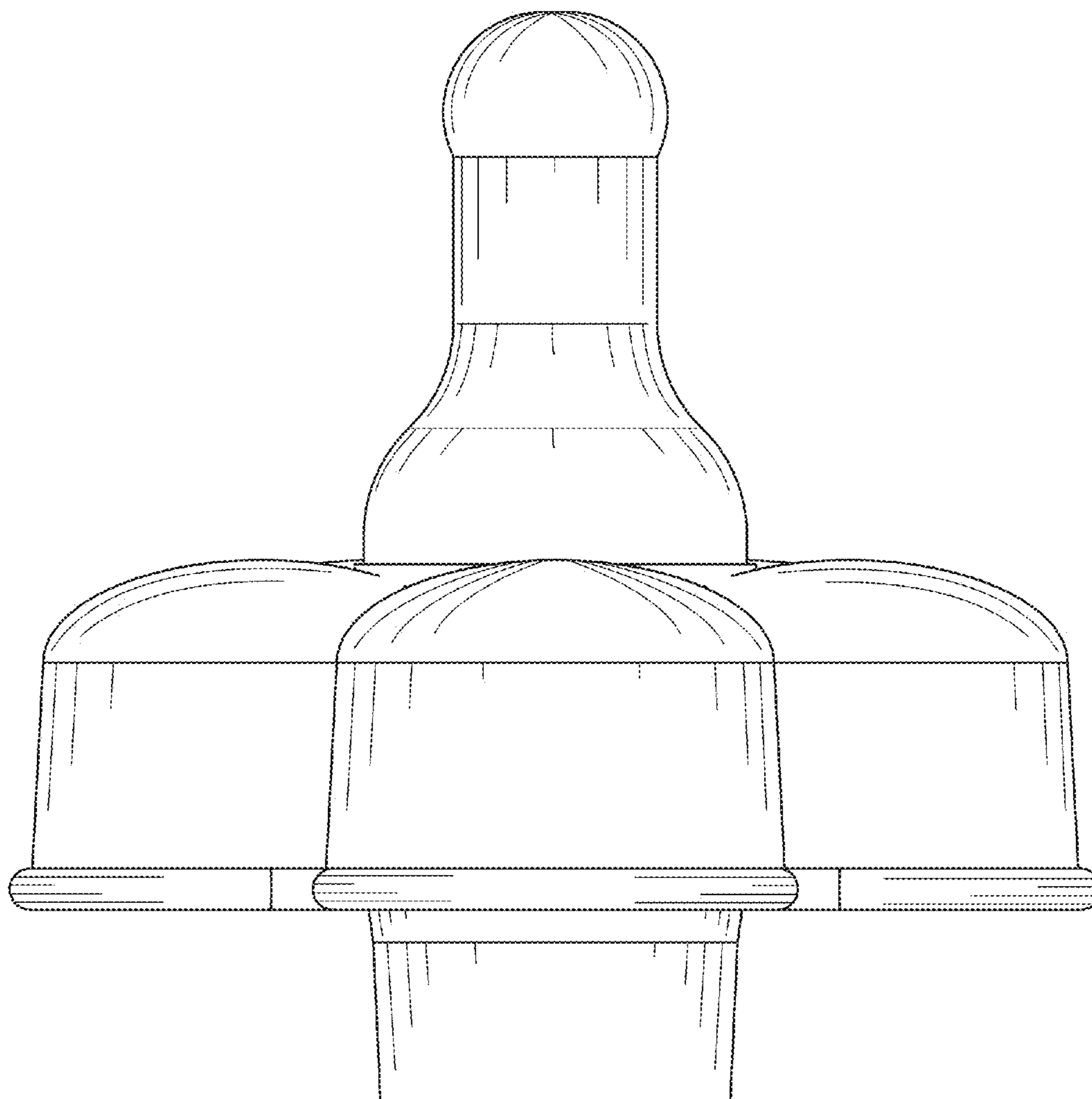


FIG. 2

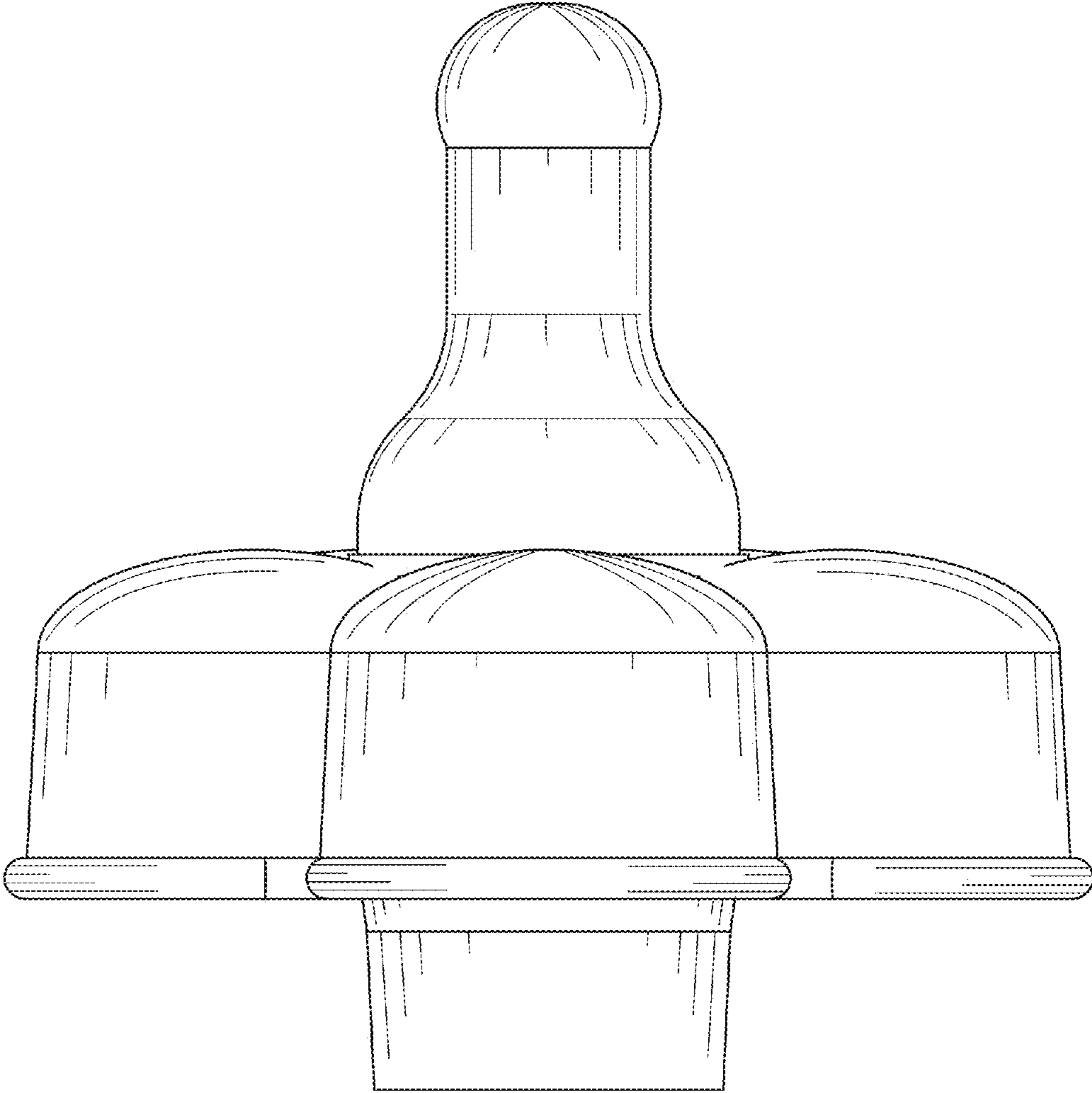


FIG. 3

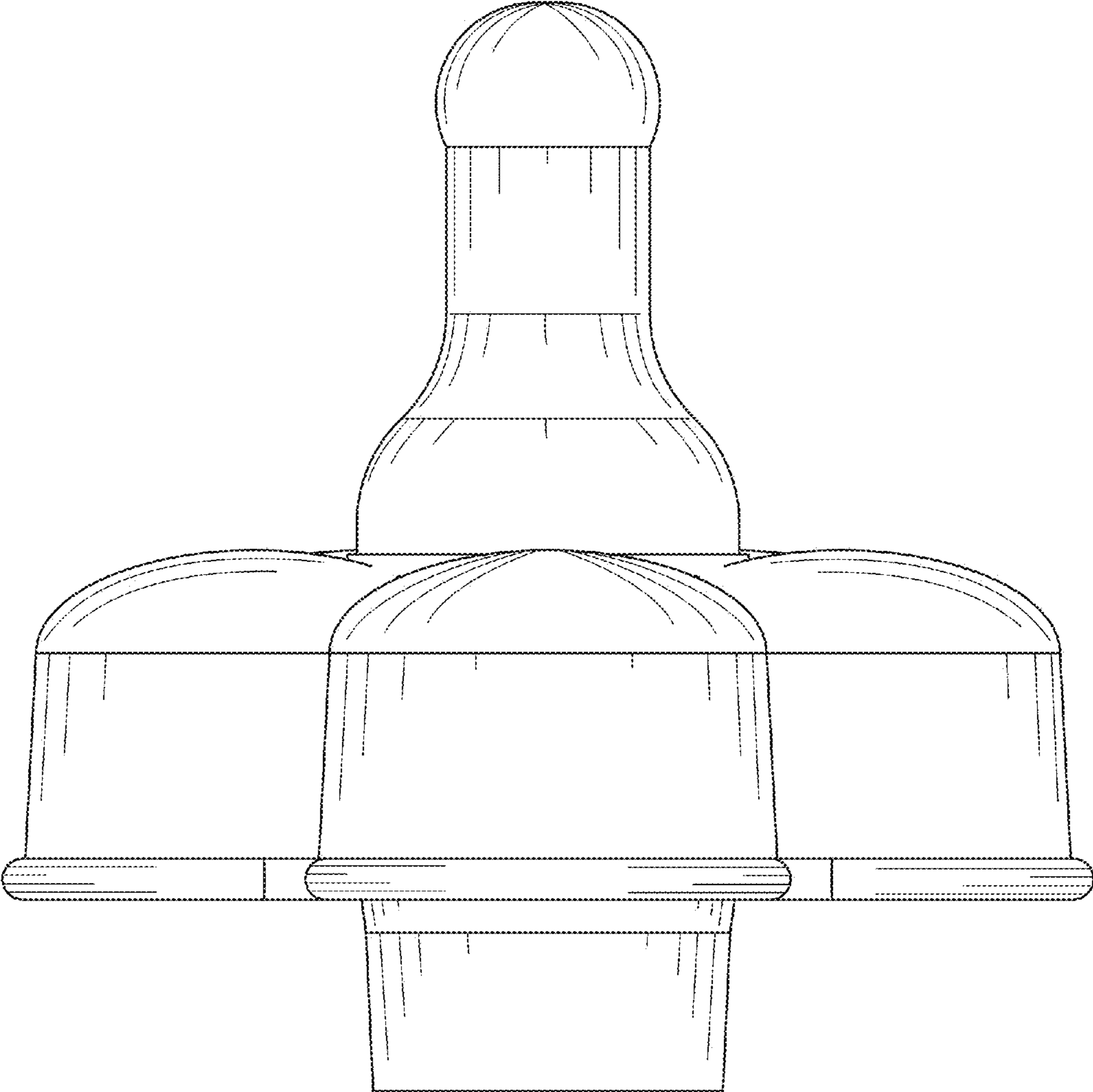


FIG. 4

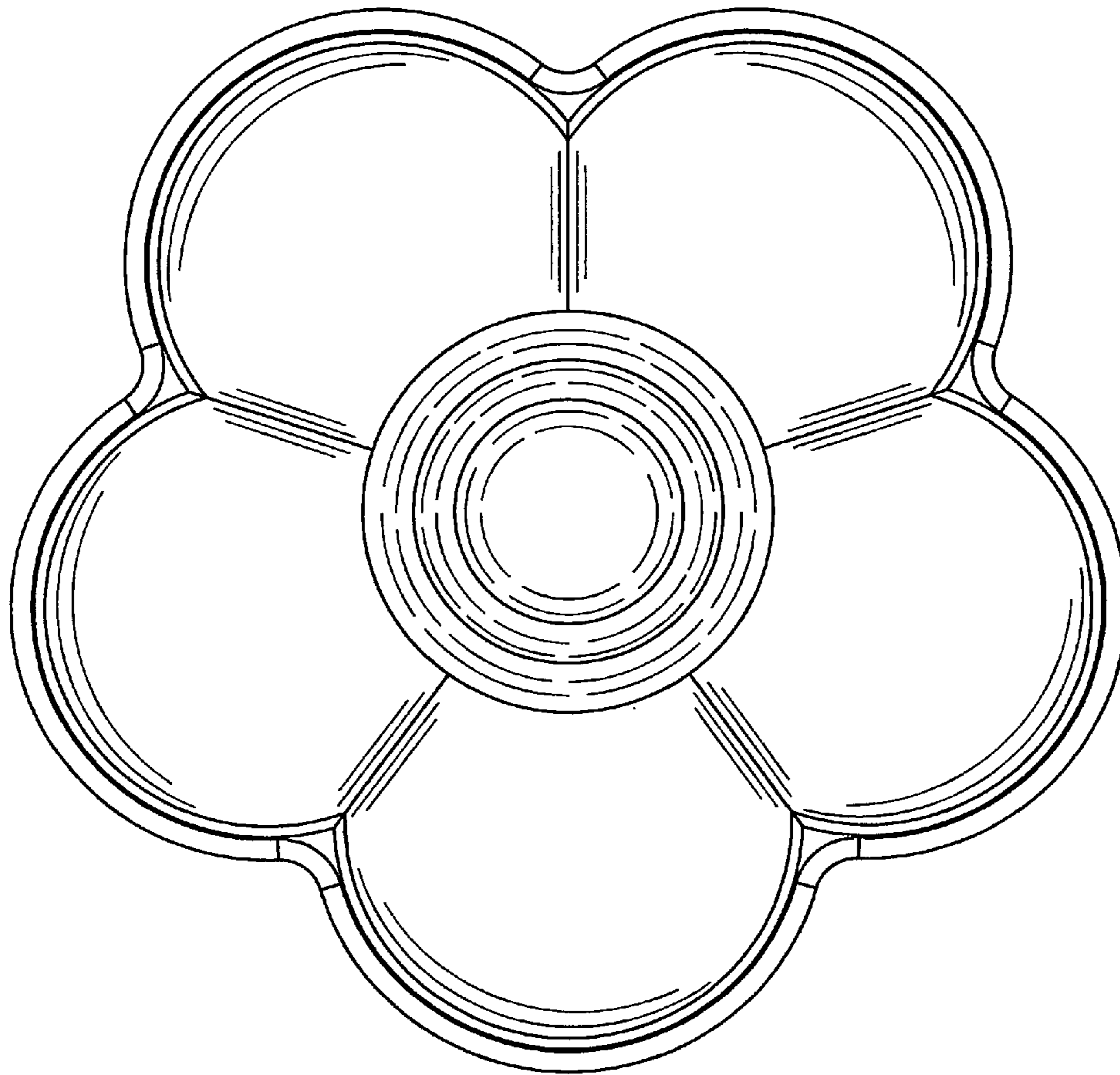


FIG. 5