



US00D739538S

(12) **United States Design Patent**
Bernal et al.

(10) **Patent No.:** **US D739,538 S**

(45) **Date of Patent:** **** Sep. 22, 2015**

(54) **MEDICAL COMPUTER CART**

(71) Applicants: **Lawrence Bernal**, Bellflower, CA (US);
Kristie Bernal, Bellflower, CA (US)

(72) Inventors: **Lawrence Bernal**, Bellflower, CA (US);
Kristie Bernal, Bellflower, CA (US)

(**) Term: **14 Years**

(21) Appl. No.: **29/502,576**

(22) Filed: **Sep. 17, 2014**

(51) **LOC (10) Cl.** **24-00**

(52) **U.S. Cl.**
USPC **D24/185**

(58) **Field of Classification Search**
USPC D24/185, 172, 158, 164, 186, 234, 128;
606/1; D6/653.15, 708.17, 708, 690,
D6/696.1, 691.4, 353, 656.15, 486, 349,
D6/405, 368; 108/24

See application file for complete search history.

(56) **References Cited**

U.S. PATENT DOCUMENTS

D486,915 S	2/2004	Warschewske	
7,490,837 B2	2/2009	Pond et al.	
D588,272 S *	3/2009	Meiser	D24/185
D606,202 S *	12/2009	Banryu	D24/185
D613,866 S *	4/2010	Tanaka et al.	D24/185
D626,235 S *	10/2010	Smith et al.	D24/158
D632,796 S *	2/2011	Ross et al.	D24/185
D632,797 S *	2/2011	Ross et al.	D24/185
D643,535 S *	8/2011	Ross et al.	D24/164
D648,855 S *	11/2011	Smith et al.	D24/158
D652,936 S *	1/2012	Ross et al.	D24/185
D657,470 S *	4/2012	Schon et al.	D24/186

8,240,684 B2	8/2012	Ross et al.	
8,286,977 B2	10/2012	Butler et al.	
D687,147 S *	7/2013	Yoshida	D24/185
D696,783 S *	12/2013	Chung et al.	D24/185
D699,852 S *	2/2014	Chung et al.	D24/158
D700,706 S *	3/2014	Molter	D24/185
2005/0288571 A1	12/2005	Perkins et al.	
2011/0056412 A1	3/2011	Grammer et al.	

FOREIGN PATENT DOCUMENTS

WO W02004076604 9/2004

* cited by examiner

Primary Examiner — Holly Baynham

Assistant Examiner — Rhea Shields

(57) **CLAIM**

The ornamental design for a medical computer cart, as shown and described.

DESCRIPTION

FIG. 1 is a front view of a medical computer cart showing my new design;

FIG. 2 is a rear view of the medical computer cart;

FIG. 3 is a left side view of the medical computer cart, a right side view being a mirror image thereof;

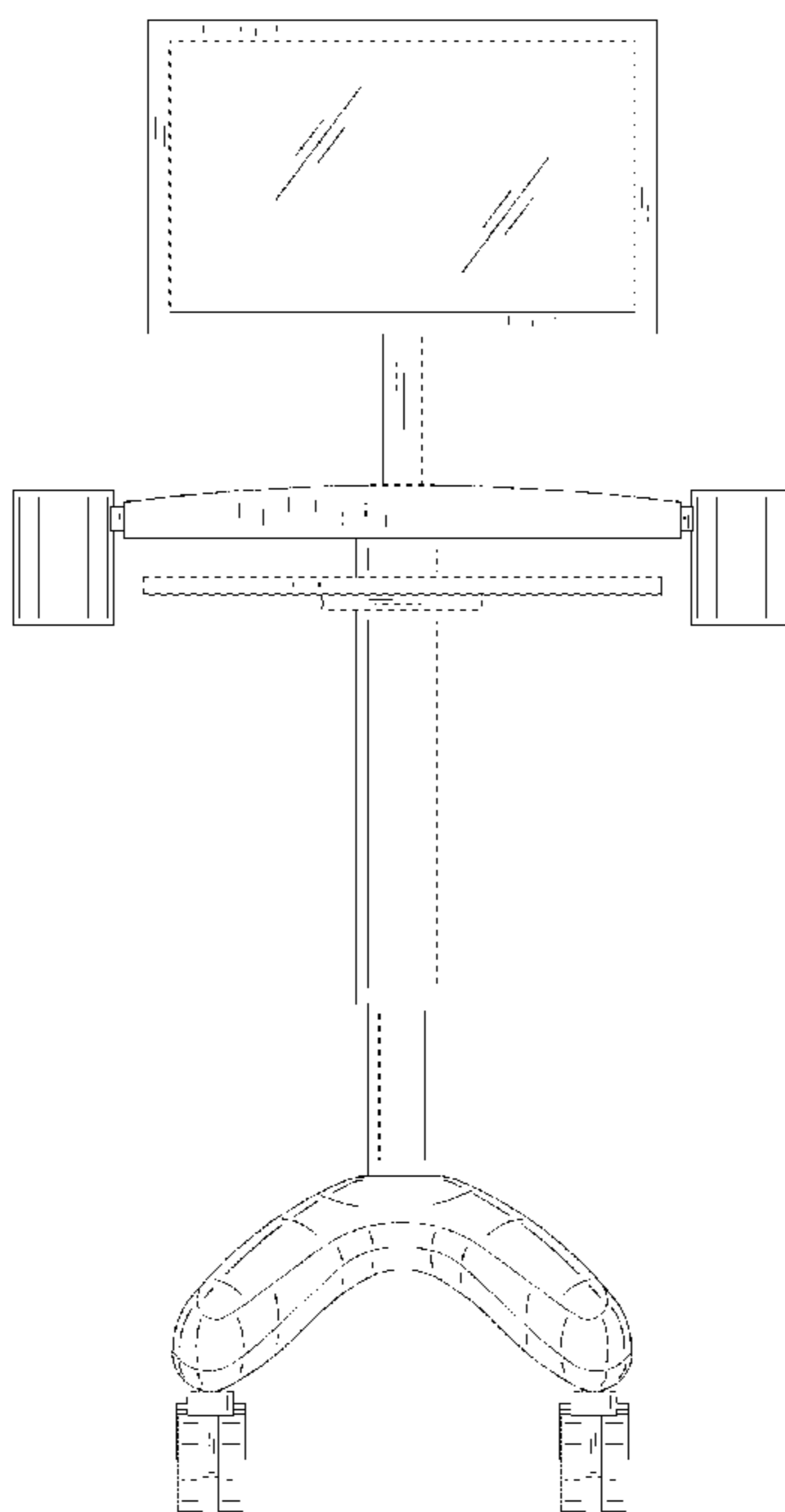
FIG. 4 is a top view of the medical computer cart;

FIG. 5 is a bottom view of the medical computer cart; and,

FIG. 6 is a top front perspective view of the medical computer cart.

In the drawings, the broken lines are for the purpose of illustrating environment only and form no part of the claimed design.

1 Claim, 5 Drawing Sheets



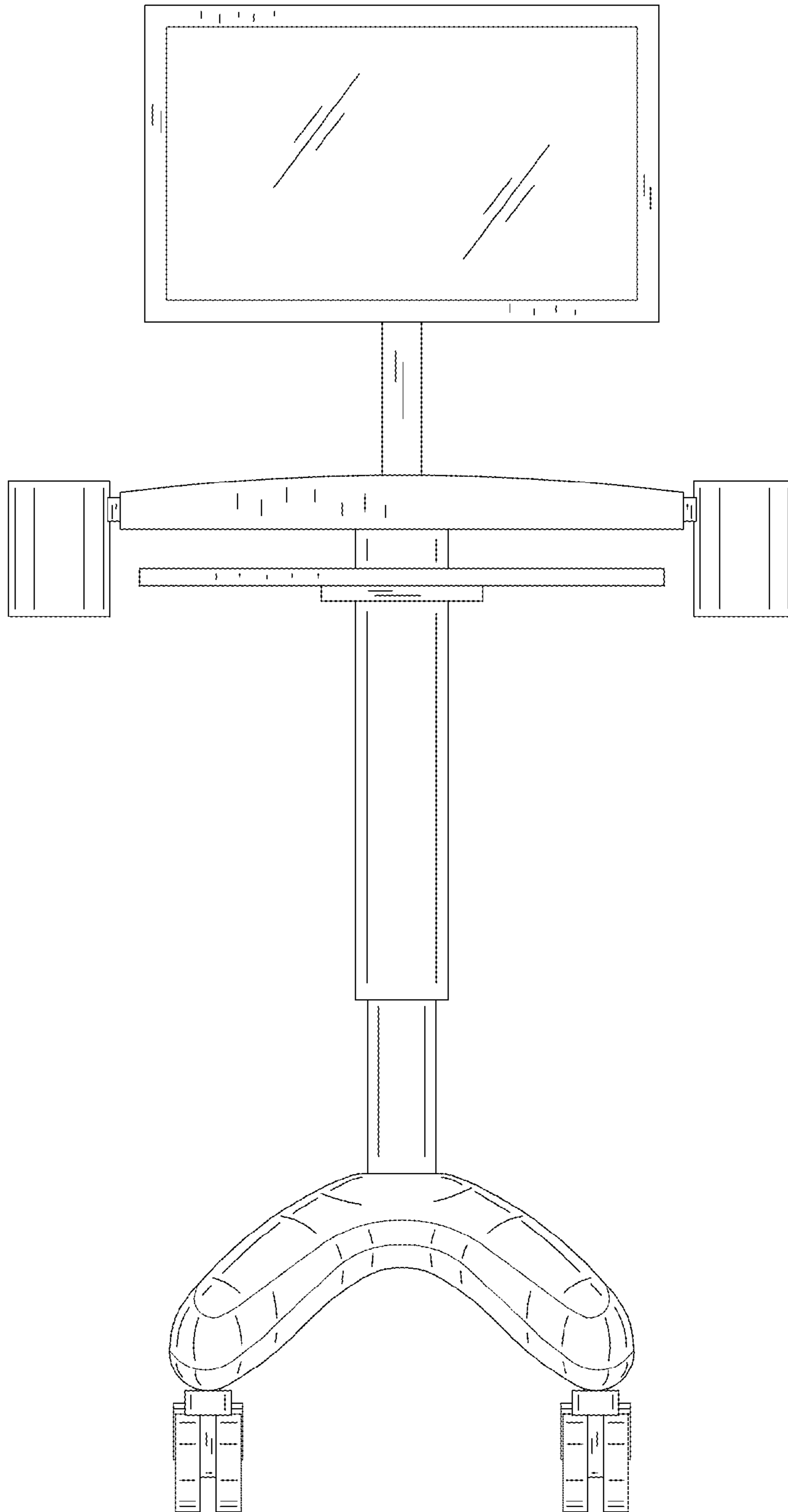


FIG. 1

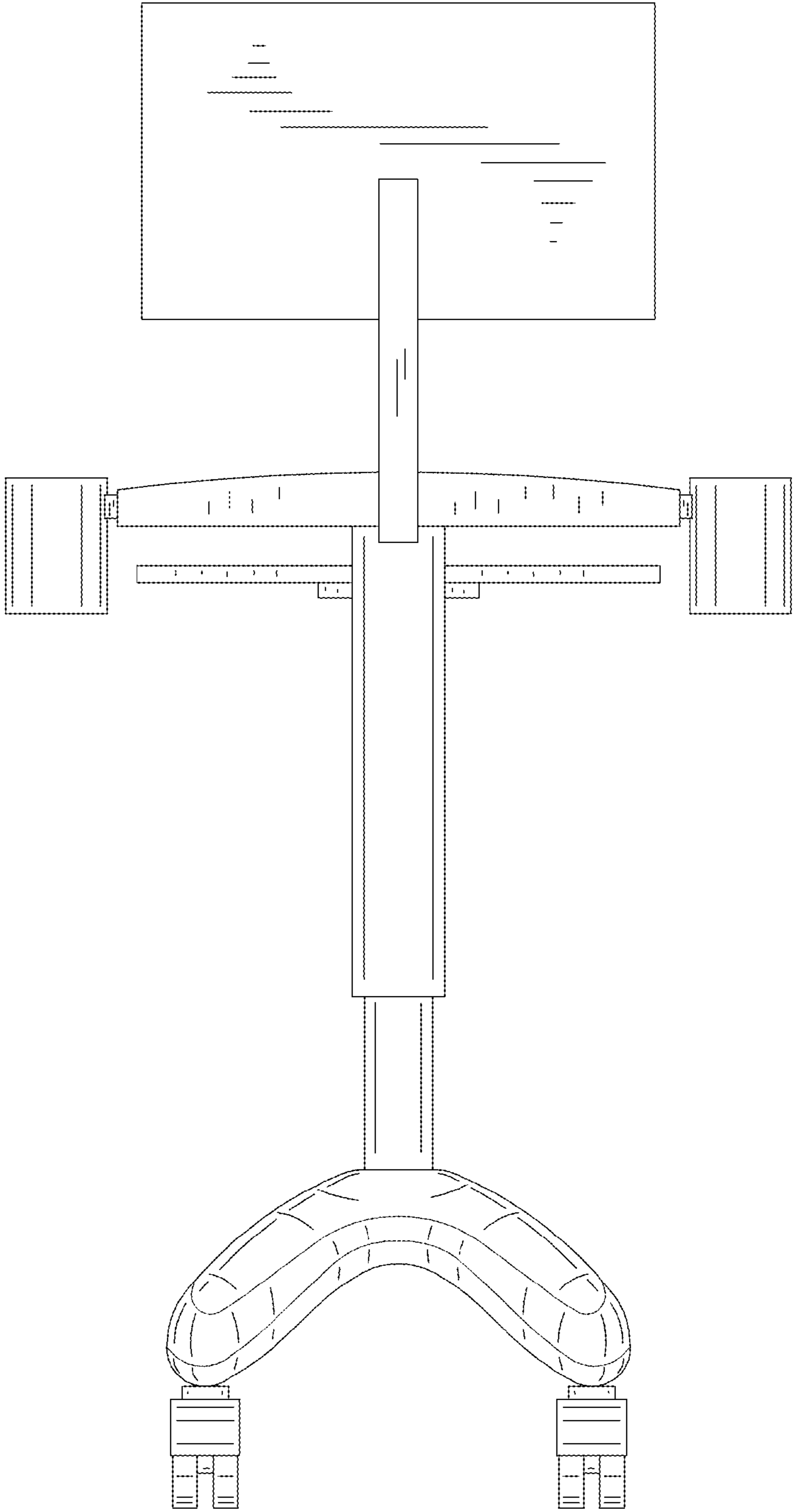


FIG. 2

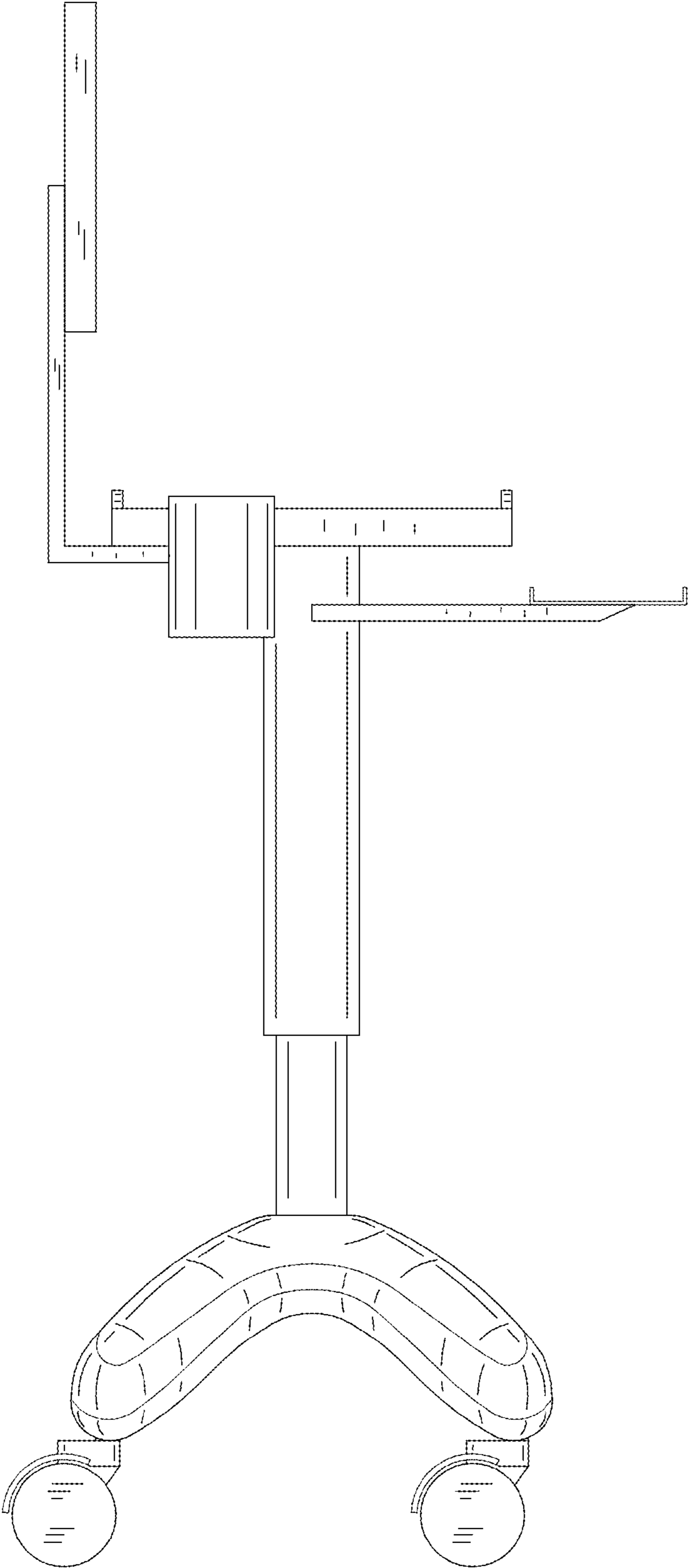


FIG. 3

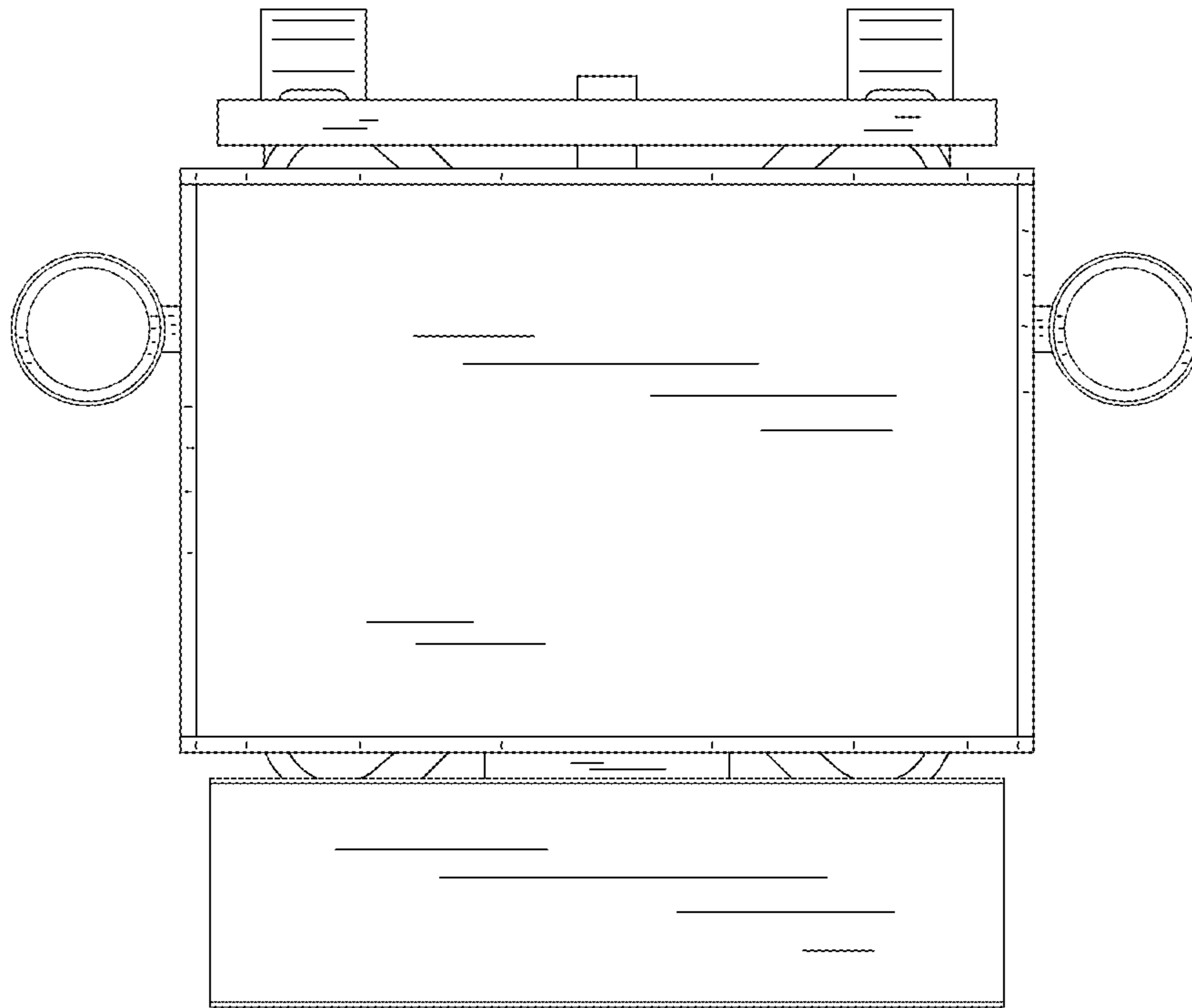


FIG. 4

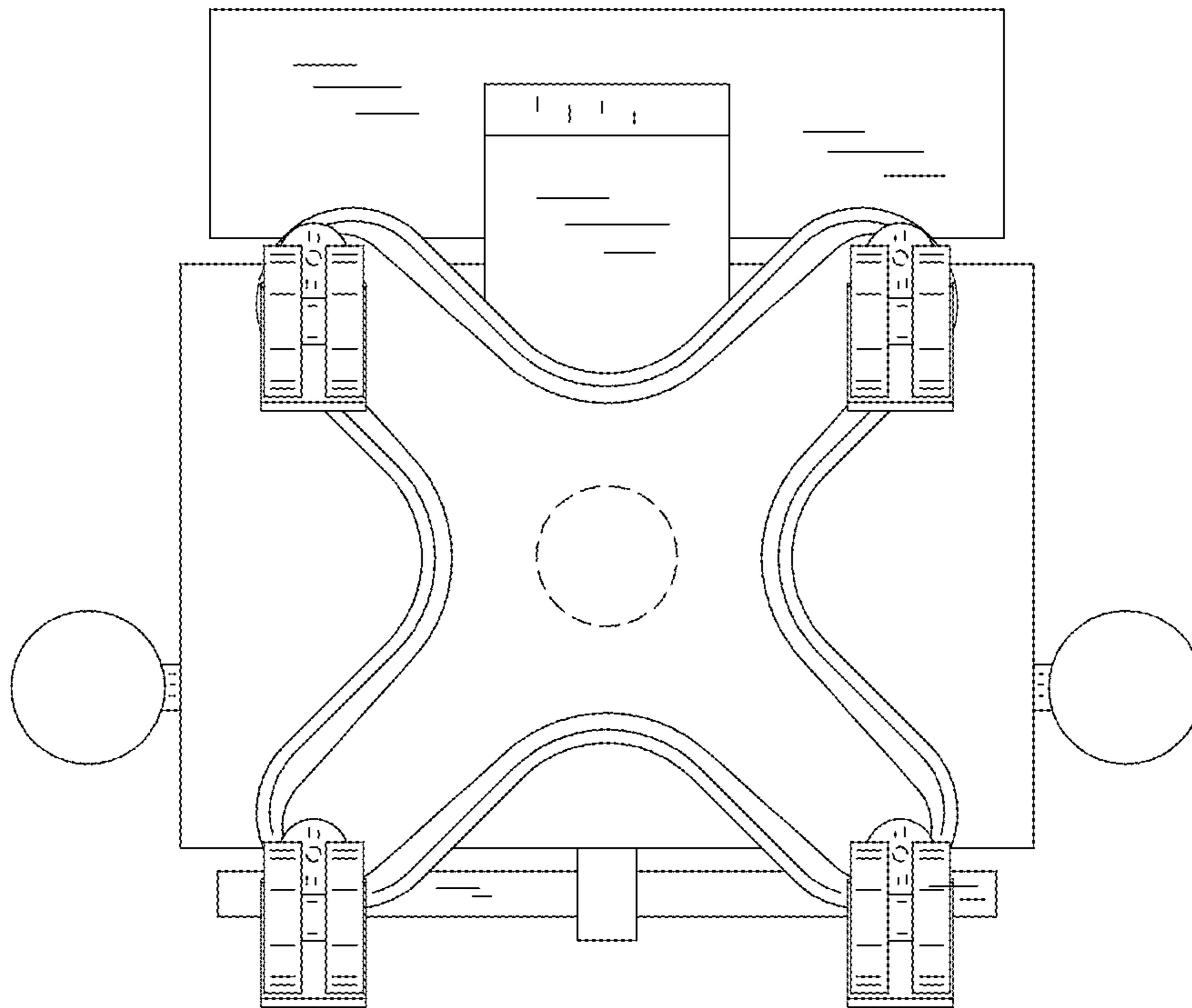


FIG. 5

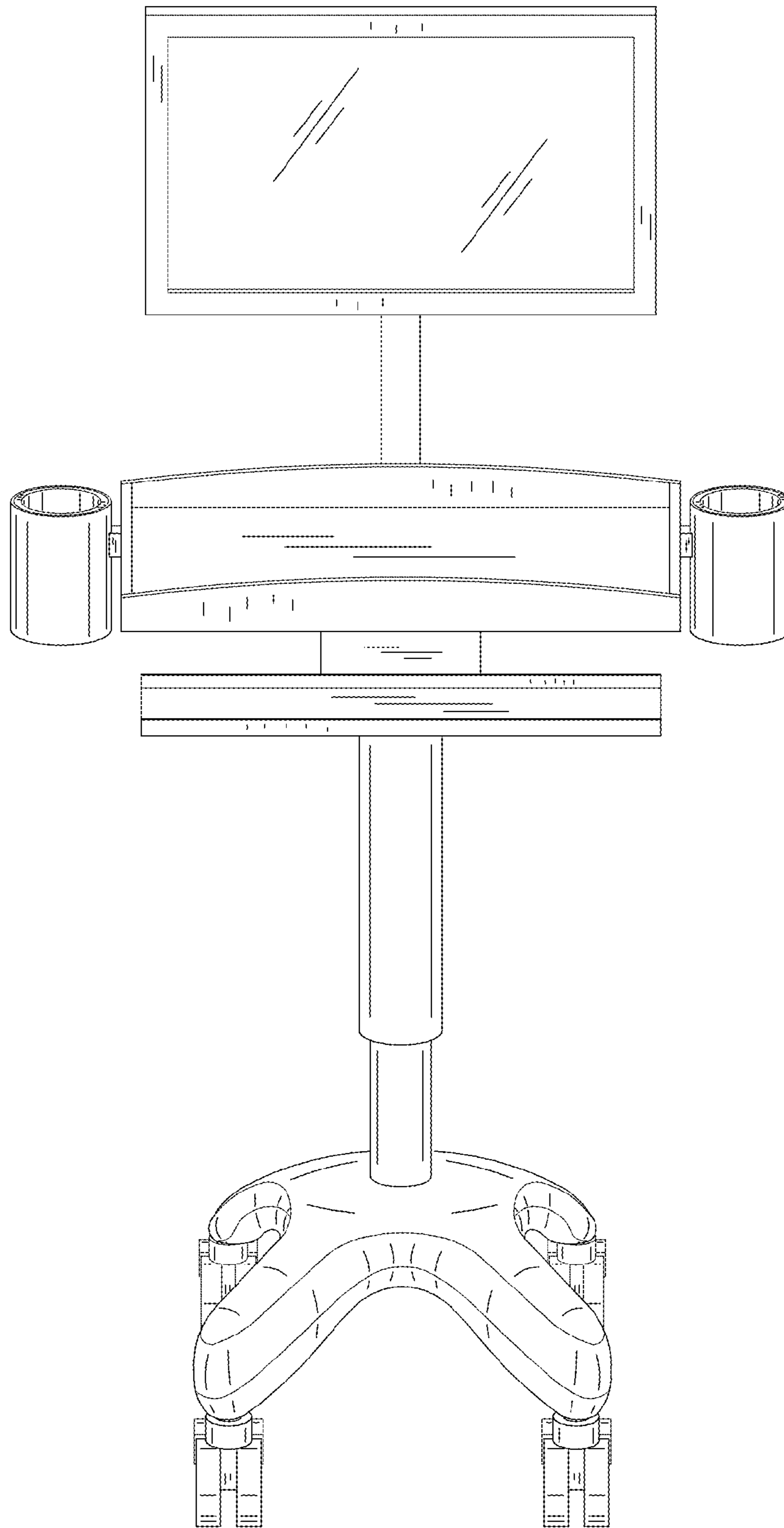


FIG. 6