



US00D739537S

(12) **United States Design Patent**  
**Hacker et al.**

(10) **Patent No.:** **US D739,537 S**  
(45) **Date of Patent:** **\*\* Sep. 22, 2015**

- (54) **BIOPSY SYSTEM CONSOLE**
- (71) Applicant: **C. R. Bard, Inc.**, Murray Hill, NJ (US)
- (72) Inventors: **Thomas G. Hacker**, Anaheim, CA (US);  
**Angela K. Jensen**, Mesa, AZ (US);  
**Derek J. Daw**, Huntington Beach, CA (US)
- (73) Assignee: **C. R. Bard, Inc.**, Murray Hill, NJ (US)
- (\*\*) Term: **14 Years**
- (21) Appl. No.: **29/472,541**
- (22) Filed: **Nov. 13, 2013**
- (51) **LOC (10) Cl.** ..... **24-00**
- (52) **U.S. Cl.**  
USPC ..... **D24/185**
- (58) **Field of Classification Search**  
USPC ..... D24/185, 172, 158, 164, 186, 234, 128;  
D6/653.15, 708.17, 708, 690, 696.1,  
D6/691.4, 353, 656.15, 486, 349, 405,  
D6/368; 108/24  
See application file for complete search history.

- D467,349 S 12/2002 Niedbala et al.
- D468,420 S 1/2003 Bolmsjo
- D484,285 S 12/2003 Schroter
- D491,704 S 6/2004 Shin
- D492,458 S 6/2004 Jarast
- D505,804 S 6/2005 Chen
- D512,545 S 12/2005 Griffin
- D516,265 S 2/2006 Jarast
- 7,009,840 B2 3/2006 Clark et al.
- D527,152 S 8/2006 Chen
- D533,693 S 12/2006 Lee
- D550,362 S 9/2007 Olivera et al.
- D555,792 S 11/2007 Haymann et al.
- D567,381 S \* 4/2008 Olivera et al. .... D24/185
- D568,258 S 5/2008 Adam
- D573,768 S 7/2008 Tuncel
- D575,022 S 8/2008 Girard
- D581,608 S 11/2008 Dammkoehler et al.

(Continued)

*Primary Examiner* — Ian Simmons  
*Assistant Examiner* — Rhea Shields

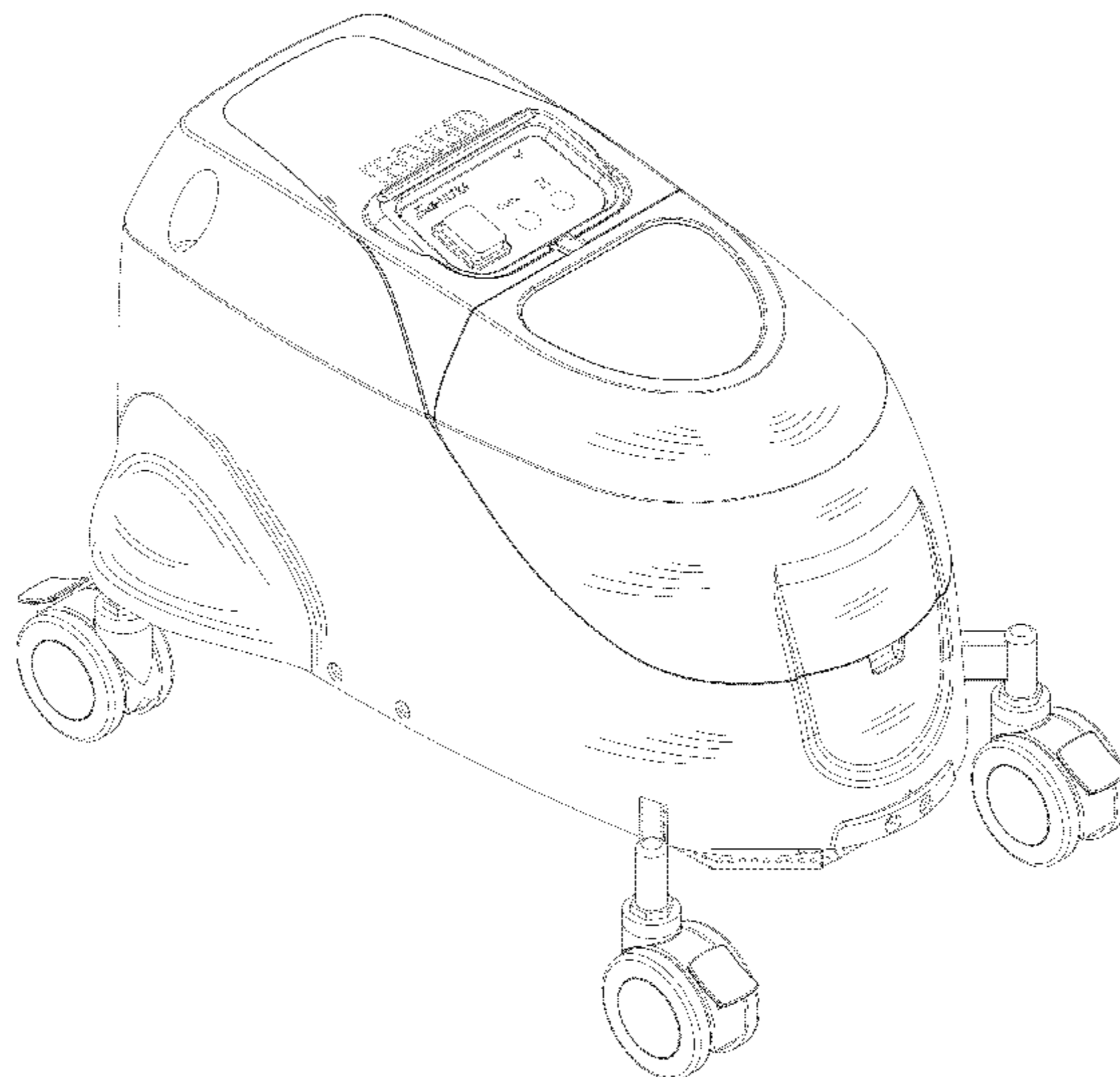
(57) **CLAIM**  
The ornamental design for a biopsy system console, as shown and described.

**DESCRIPTION**

FIG. 1 is a perspective view of a biopsy system console showing the new design;  
FIG. 2 is a top view of the biopsy system console, with the cover in the closed position;  
FIG. 3 is a top view of the biopsy system console, with the cover in an open position;  
FIG. 4 is a front view of the biopsy system console;  
FIG. 5 is a left side view of the biopsy system console;  
FIG. 6 is a right side view of the biopsy system console; and,  
FIG. 7 is a rear view of the biopsy system console.  
In the drawings, the broken lines depict unclaimed subject matter only and form no part of the claimed design.

**1 Claim, 7 Drawing Sheets**

- (56) **References Cited**  
U.S. PATENT DOCUMENTS
- D107,970 S 1/1938 Pfauser
- D327,966 S 7/1992 Hikawa
- D344,377 S 2/1994 Thomas
- D366,318 S 1/1996 Lukac et al.
- D373,665 S 9/1996 Nakamura et al.
- D382,680 S 8/1997 Meelen
- D391,700 S 3/1998 Hughes
- D394,527 S 5/1998 Pochopien et al.
- D399,617 S 10/1998 Fujita
- D429,855 S 8/2000 Griffin
- D432,746 S 10/2000 Frey
- D447,293 S 8/2001 Griffin
- D467,001 S \* 12/2002 Buczek et al. .... D24/172



(56)

**References Cited**

U.S. PATENT DOCUMENTS

D581,823 S 12/2008 Mori et al.  
 D582,621 S 12/2008 Girard  
 D603,122 S 10/2009 Balester et al.  
 D607,569 S 1/2010 Yukikado et al.  
 D612,561 S 3/2010 Hunter et al.  
 D613,866 S 4/2010 Tanaka et al.  
 D616,619 S 5/2010 Schroeter  
 D618,870 S 6/2010 Williams et al.  
 D620,220 S 7/2010 Hsu  
 D626,236 S 10/2010 Ninomiya et al.  
 D627,070 S 11/2010 Staufenberg et al.  
 D629,523 S 12/2010 Porter et al.

D639,948 S \* 6/2011 Personelli ..... D24/158  
 D640,437 S 6/2011 Opsahl et al.  
 D644,544 S 9/2011 Yukikado  
 D644,546 S 9/2011 Yukikado  
 D650,142 S 12/2011 McRorie  
 D662,208 S 6/2012 Otoha et al.  
 8,245,652 B2 8/2012 Hung  
 D680,650 S 4/2013 Muraoka et al.  
 D682,494 S 5/2013 Kim et al.  
 D690,012 S \* 9/2013 Yanase et al. .... D24/158  
 D690,017 S \* 9/2013 Tartaglia et al. .... D24/185  
 D709,202 S \* 7/2014 Lamoureux ..... D24/185  
 D714,940 S \* 10/2014 Kim ..... D24/158  
 2010/0213679 A1 8/2010 Smith et al.

\* cited by examiner

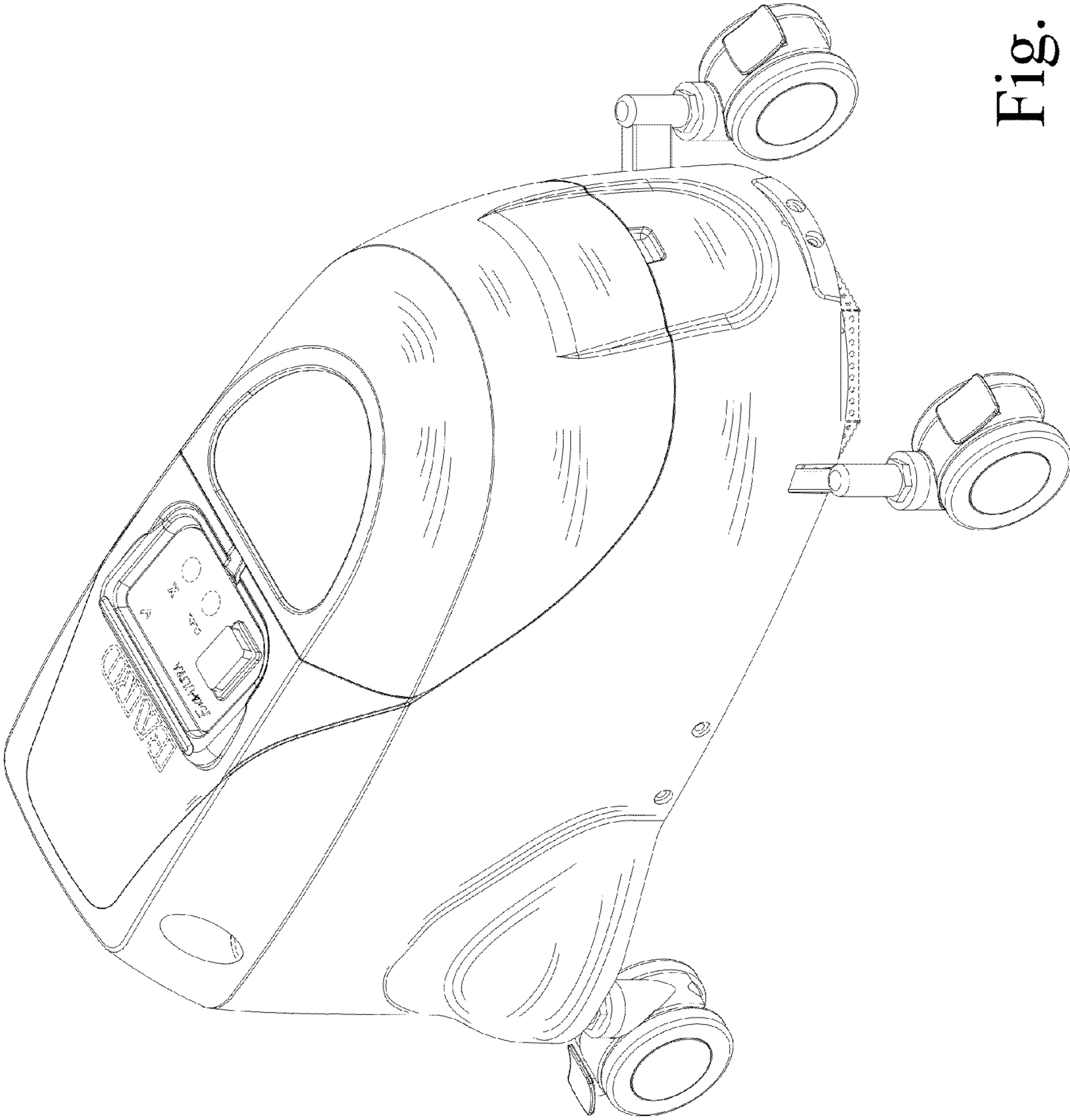


Fig. 1

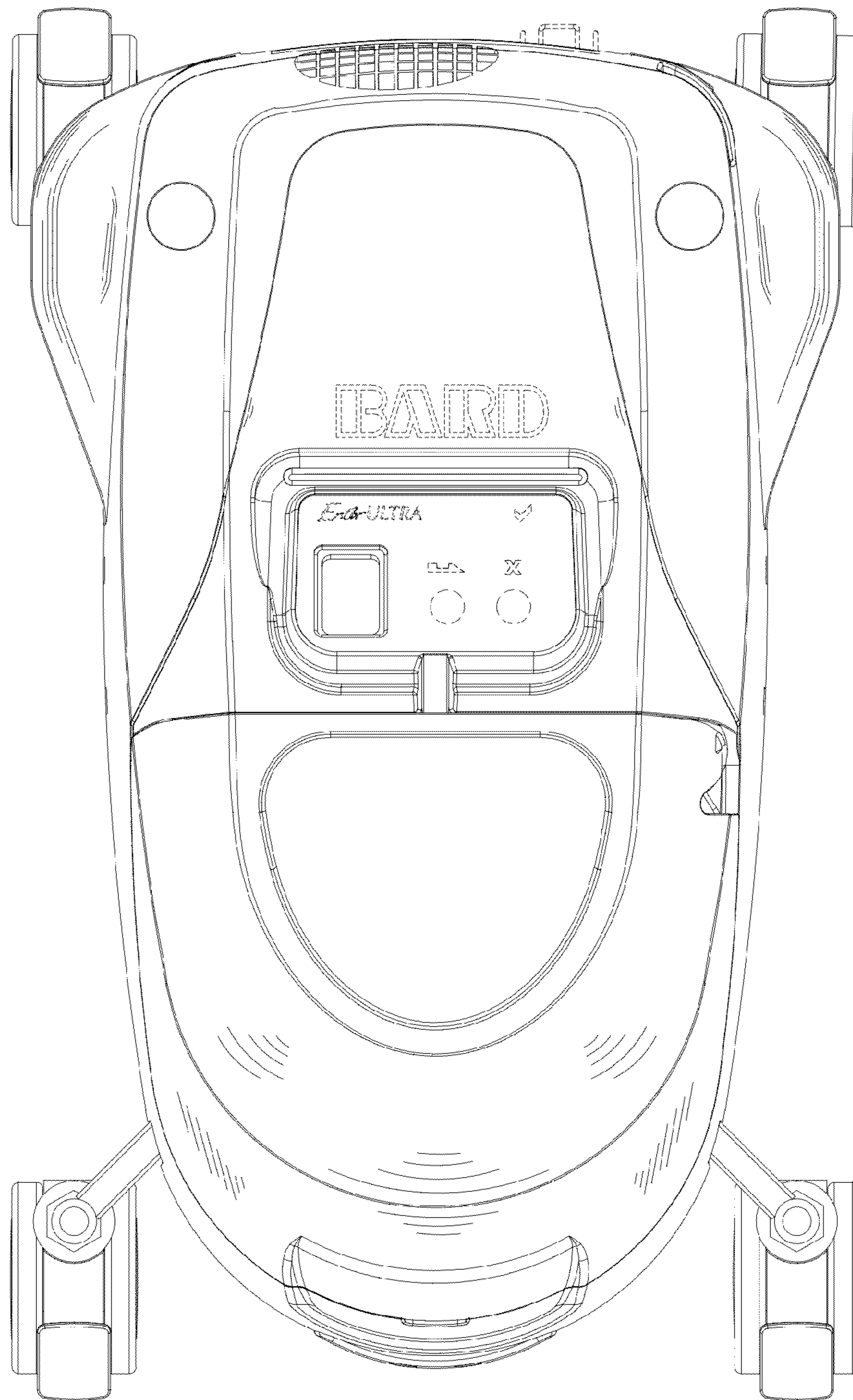


Fig. 2

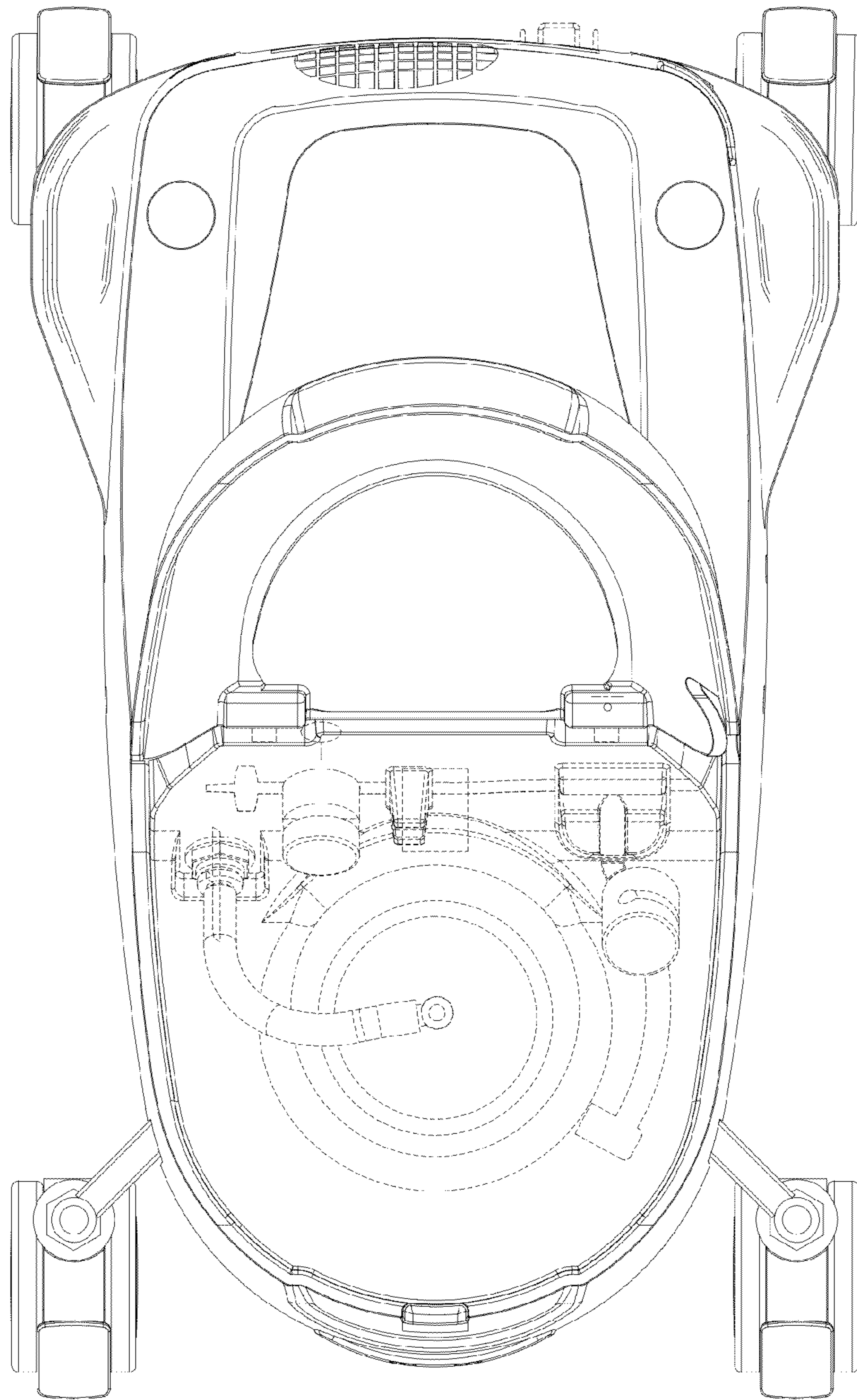


Fig. 3

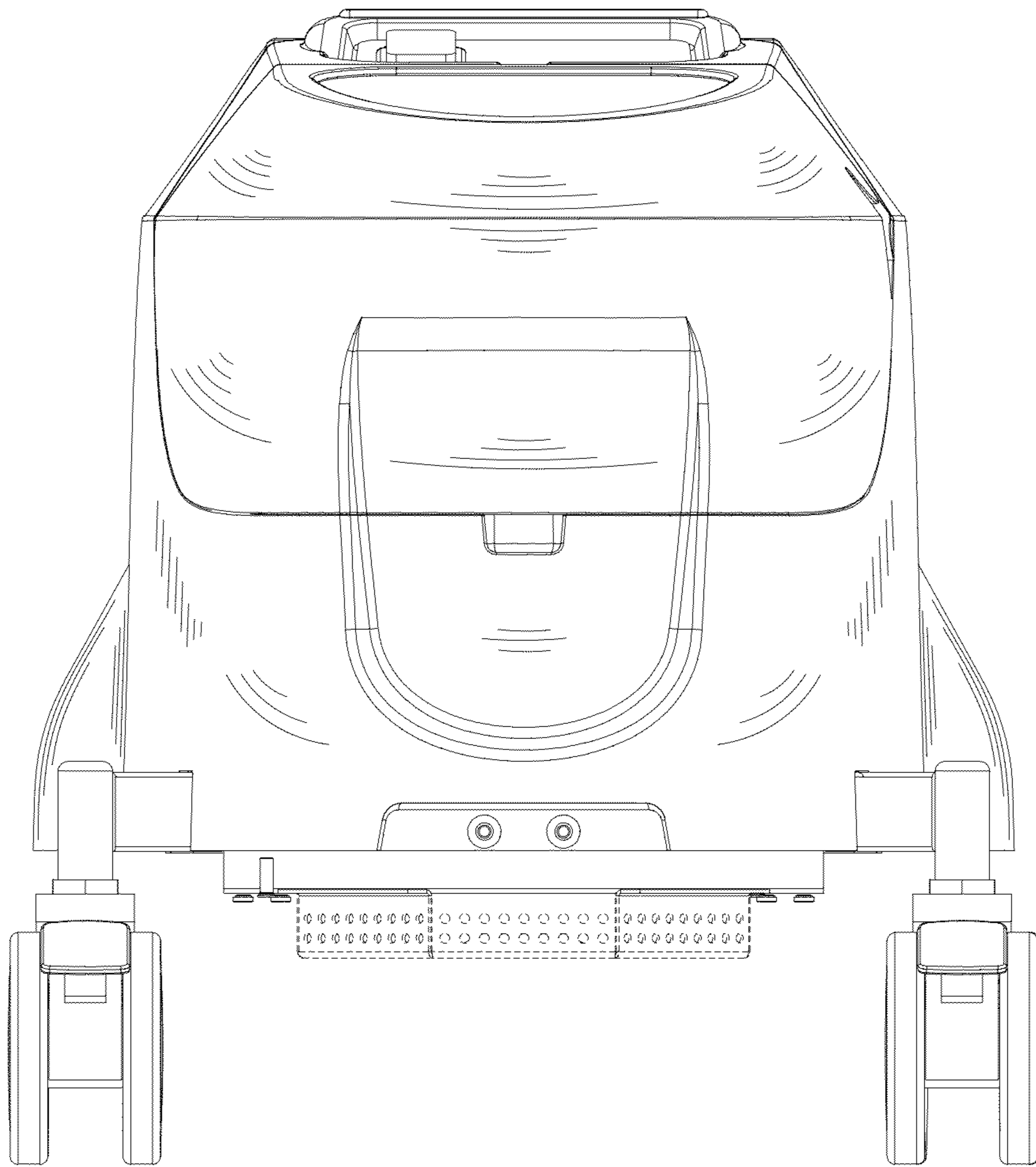


Fig. 4

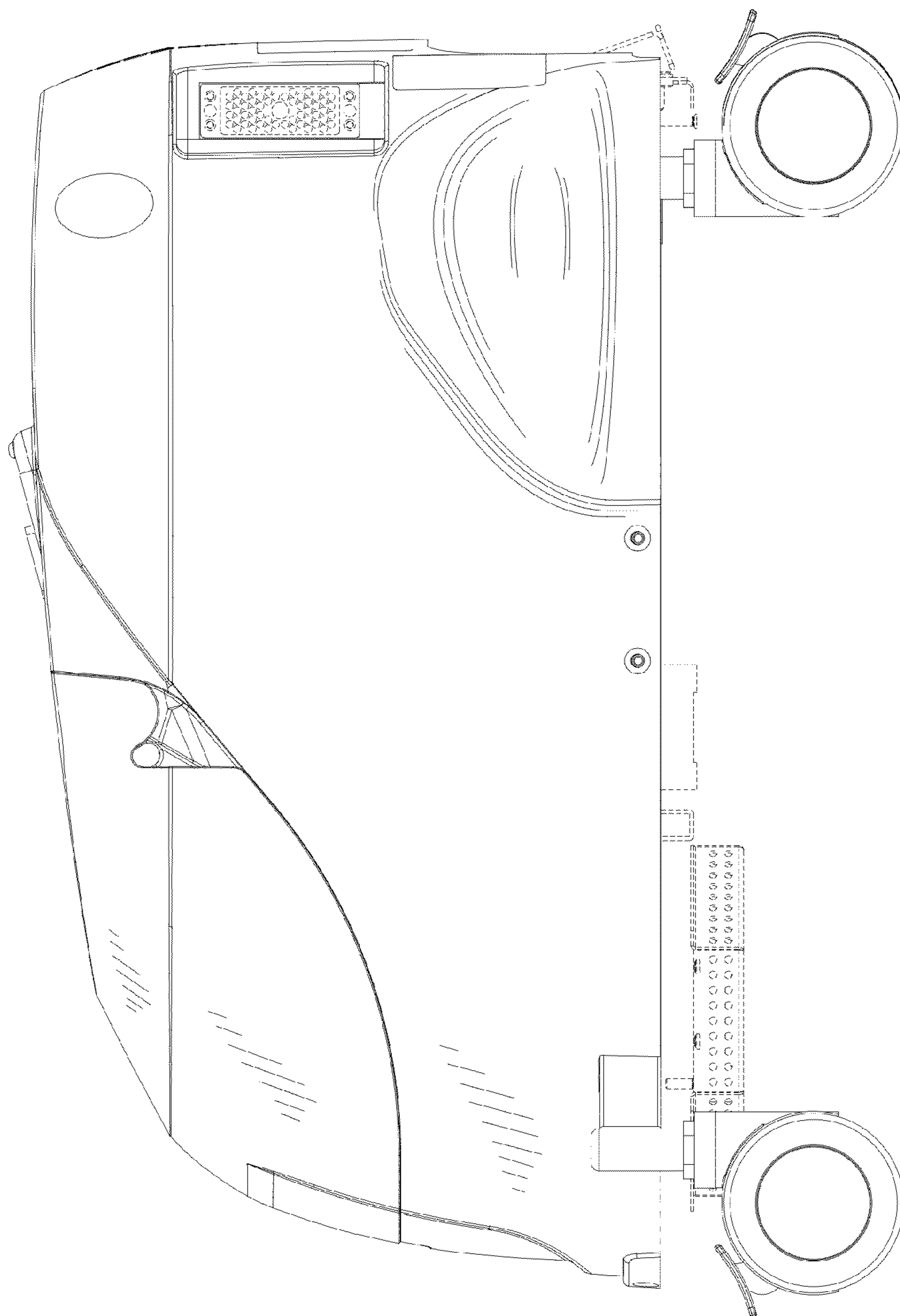


Fig. 5

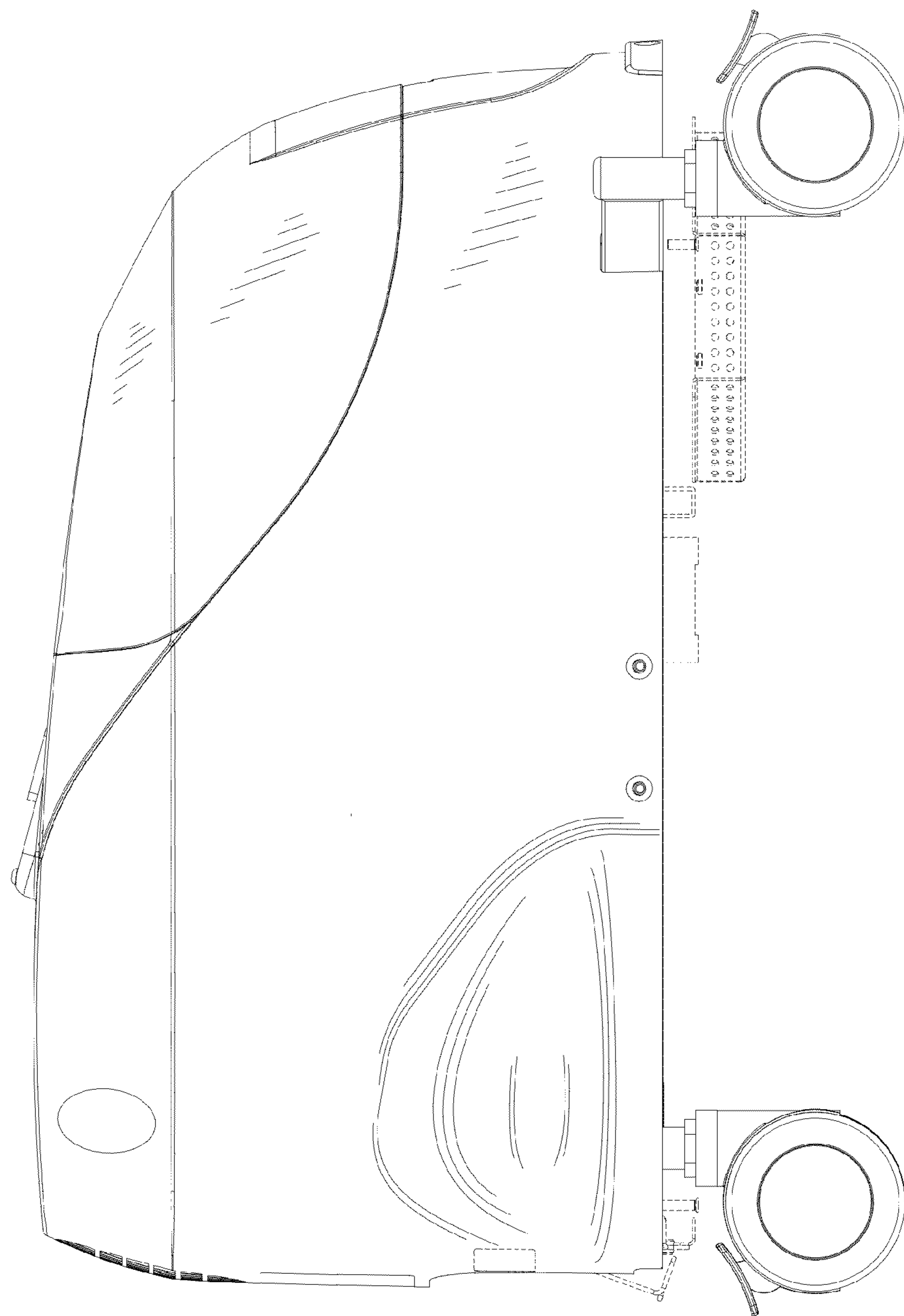


Fig. 6



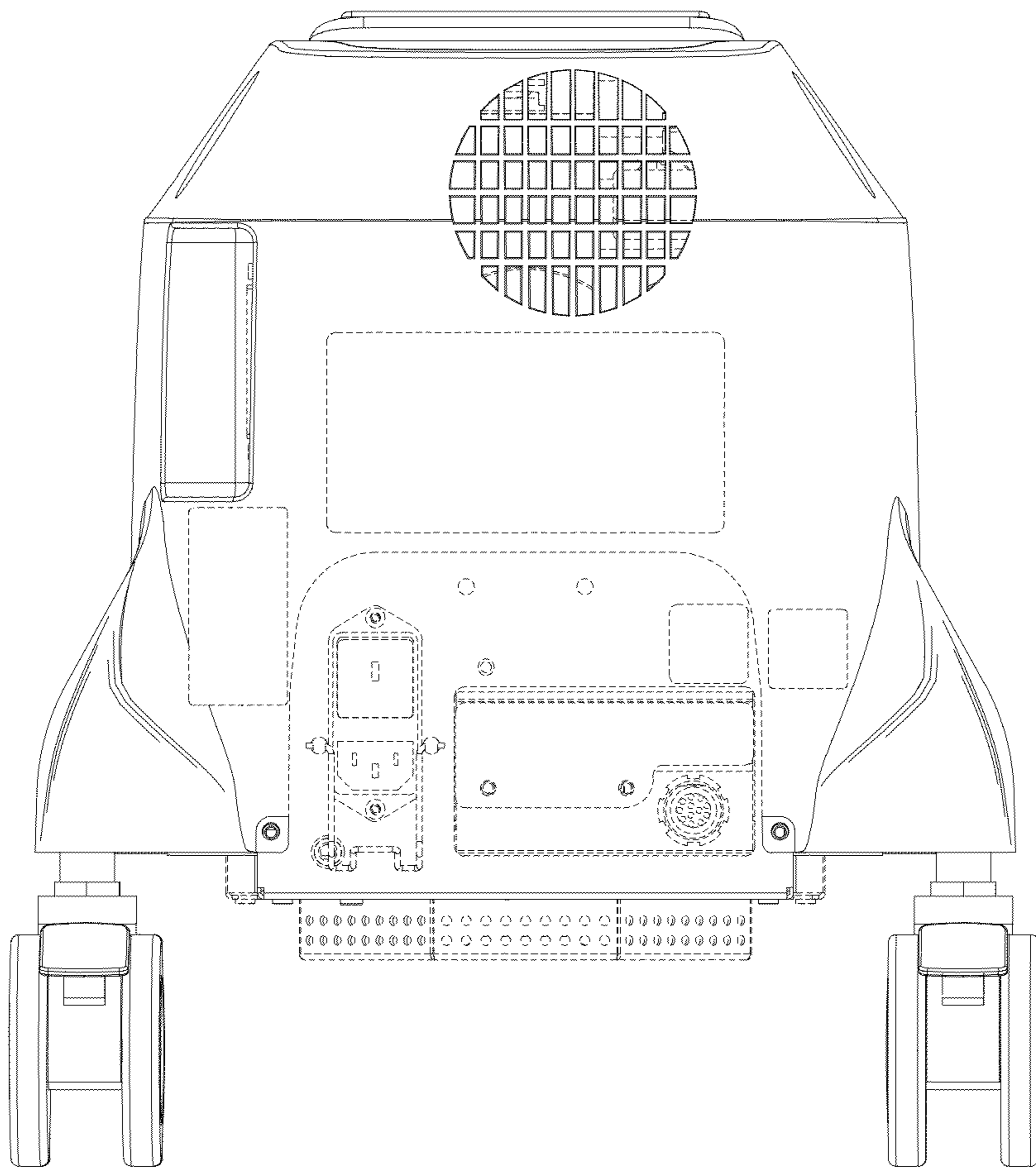


Fig. 7