

US00D739536S

(12) **United States Design Patent**
Faust et al.

(10) **Patent No.:** **US D739,536 S**
(45) **Date of Patent:** **** Sep. 22, 2015**

- (54) **BUCCAL TUBE**
- (71) Applicant: **American Orthodontics Corporation**,
Sheboygan, WI (US)
- (72) Inventors: **Scott Faust**, Kiel, WI (US); **Bradley J. Brassler**, Oostburg, WI (US)
- (73) Assignee: **American Orthodontics Corporation**,
Sheboygan, WI (US)

6,709,268	B2	3/2004	Pospisil et al.	
6,733,285	B2	5/2004	Puttler et al.	
6,893,257	B2	5/2005	Kelly	
6,910,884	B2	6/2005	Kelly et al.	
6,957,957	B2	10/2005	Pospisil	
D594,558	S	6/2009	Verdouw et al.	
8,251,697	B2	8/2012	Smith et al.	
8,585,399	B2	11/2013	Smith et al.	
D721,811	S *	1/2015	Zakhem et al. D24/180
2005/0244777	A1	11/2005	Schultz	
2006/0046224	A1	3/2006	Sondhi et al.	
2007/0254258	A1	11/2007	Tuneberg	
2014/0356801	A1 *	12/2014	Smith et al. 433/17

(**) Term: **14 Years**

(21) Appl. No.: **29/494,372**

(22) Filed: **Jun. 19, 2014**

Related U.S. Application Data

(63) Continuation of application No. 29/446,068, filed on Feb. 20, 2013, now Pat. No. Des. 720,856.

(51) **LOC (10) Cl.** **24-02**

(52) **U.S. Cl.**
USPC **D24/180**

(58) **Field of Classification Search**
USPC D24/176-182; 433/8-18
See application file for complete search history.

(56) **References Cited**

U.S. PATENT DOCUMENTS

4,781,582	A	11/1988	Kesling
5,224,858	A	7/1993	Hanson
5,230,620	A	7/1993	Watanabe
5,320,526	A	6/1994	Tuneberg
D359,776	S	6/1995	Hilgers
5,556,277	A	9/1996	Yawata et al.
5,910,007	A	6/1999	Shimodaira et al.
6,206,690	B1	3/2001	Vargas
6,241,516	B1	6/2001	Orikasa et al.
D478,172	S	8/2003	Kesling et al.
6,705,862	B2	3/2004	Schultz

OTHER PUBLICATIONS

Accent mini; Ormco Corporation; 2012.

(Continued)

Primary Examiner — Wan Laymon

(74) *Attorney, Agent, or Firm* — Andrus Intellectual Property Law, LLP

(57) **CLAIM**

The ornamental design for a buccal tube, as shown and described.

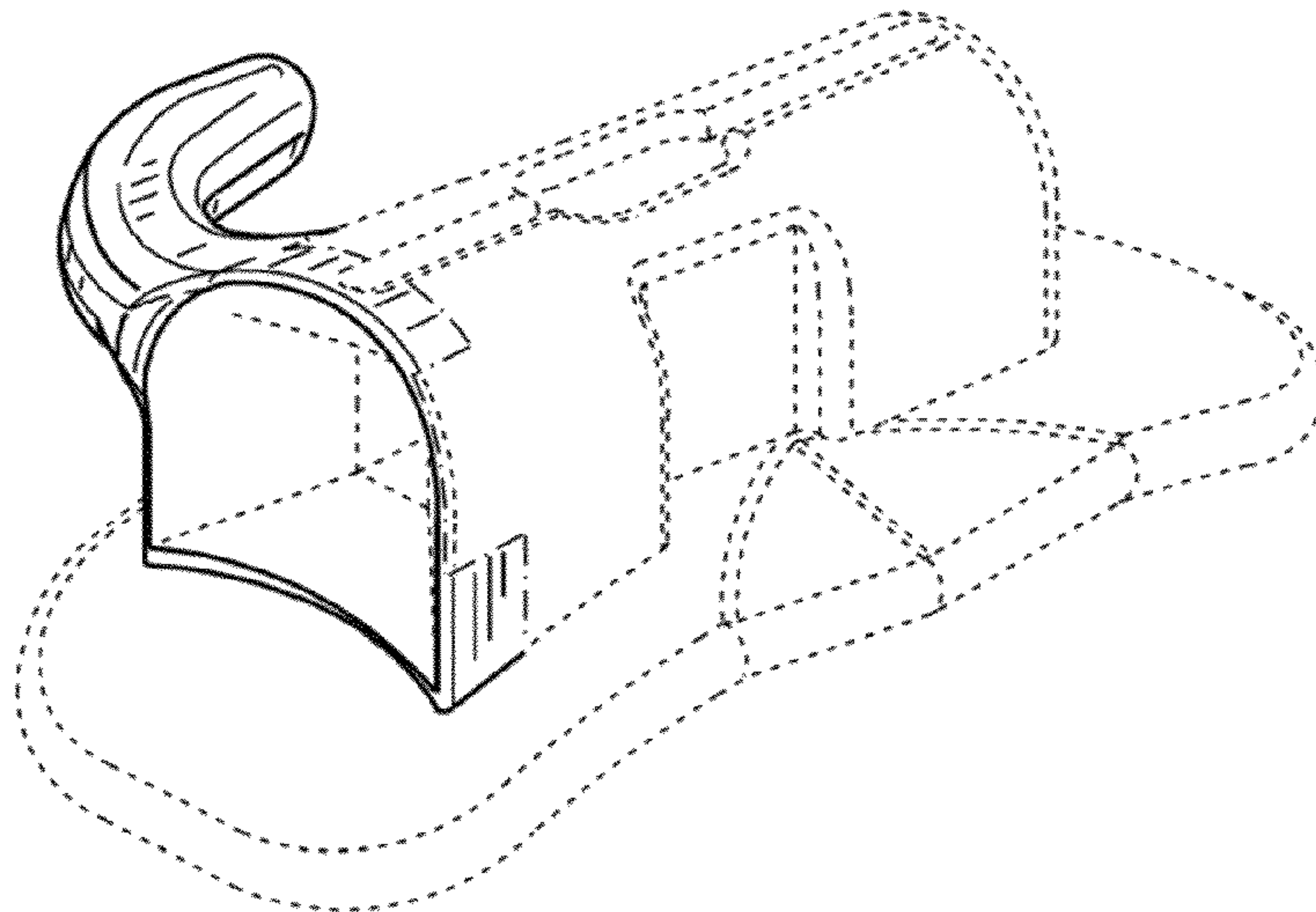
DESCRIPTION

FIG. 1 is an isometric view of a buccal tube;
FIG. 2 is a top view thereof;
FIG. 3 is a right side thereof;
FIG. 4 is a left side thereof;
FIG. 5 is a front view thereof;
FIG. 6 is a back view thereof; and,
FIG. 7 is a bottom view thereof.

The dash-dot-dash lines define the boundary lines of the claimed design.

The broken lines shown in the figures are included for the purpose of illustrating environmental and form no part of the claimed design.

1 Claim, 3 Drawing Sheets



(56)

References Cited

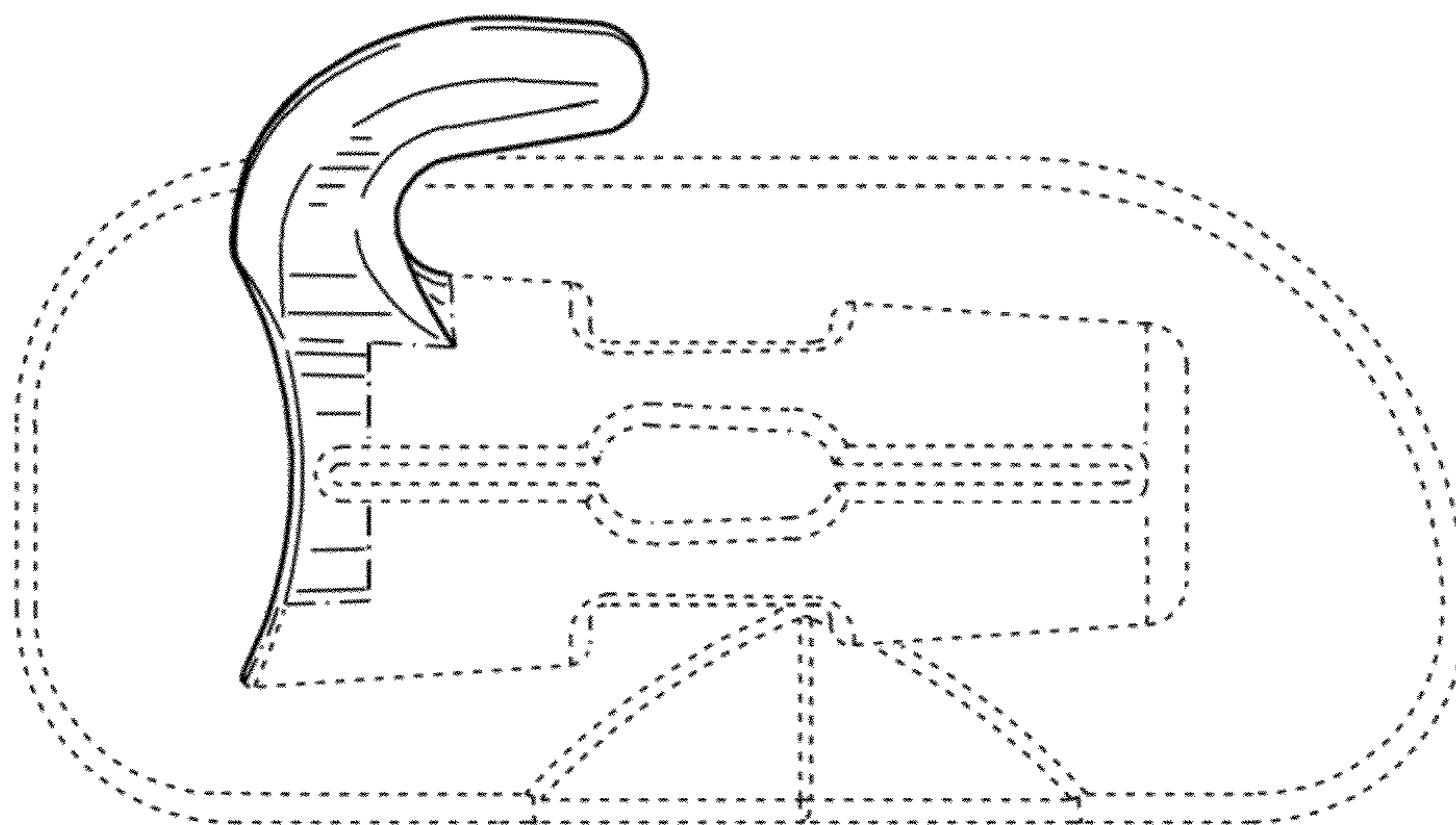
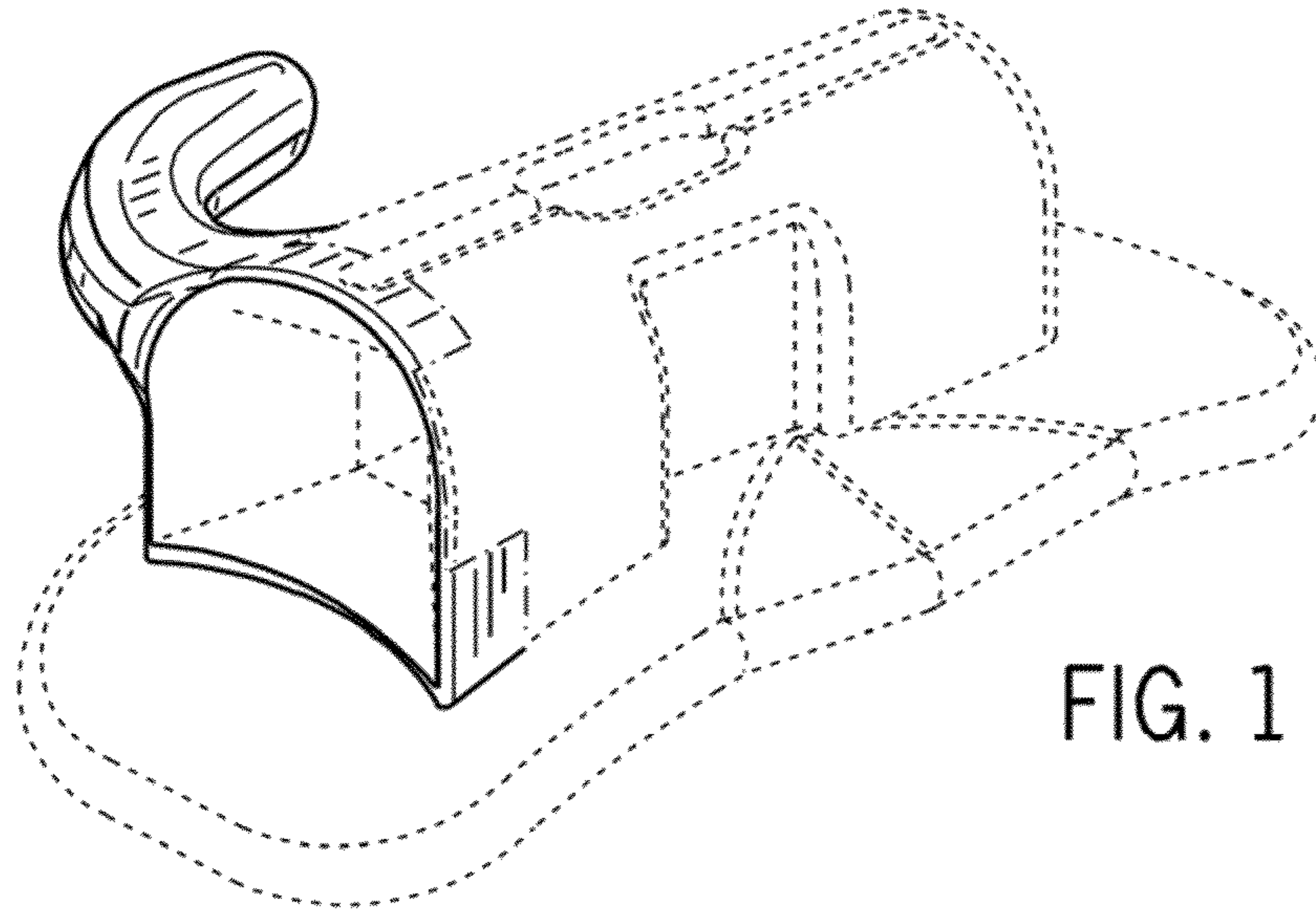
OTHER PUBLICATIONS

New Design Orthodontic Buccal Tube. Hangzhou Xingchen 3B Dental instrument & Material Co., Ltd. (Retrieved on Jan. 16, 2014). Retrieved from the Internet: <URL: <http://china-3b.en.made-in-china.com/productimage/wM1QcvLufyWP-2fljOOBefEitb1gAor/China-New-Desig...>>.

MBT Buccal Tube. (retrieved on Jan. 16, 2014). Retrieved from the Internet: <URL: <http://www.topdentalsupply.com/products/74.html>>.

FLI® Buccal Tubes. RMO rocky mountain orthodontics. (Retrieved on Jan. 16, 2014). Retrieved from the Internet: <URL: <https://www.rmoortho.com/products/fli-buccal-tubes/>>.

* cited by examiner



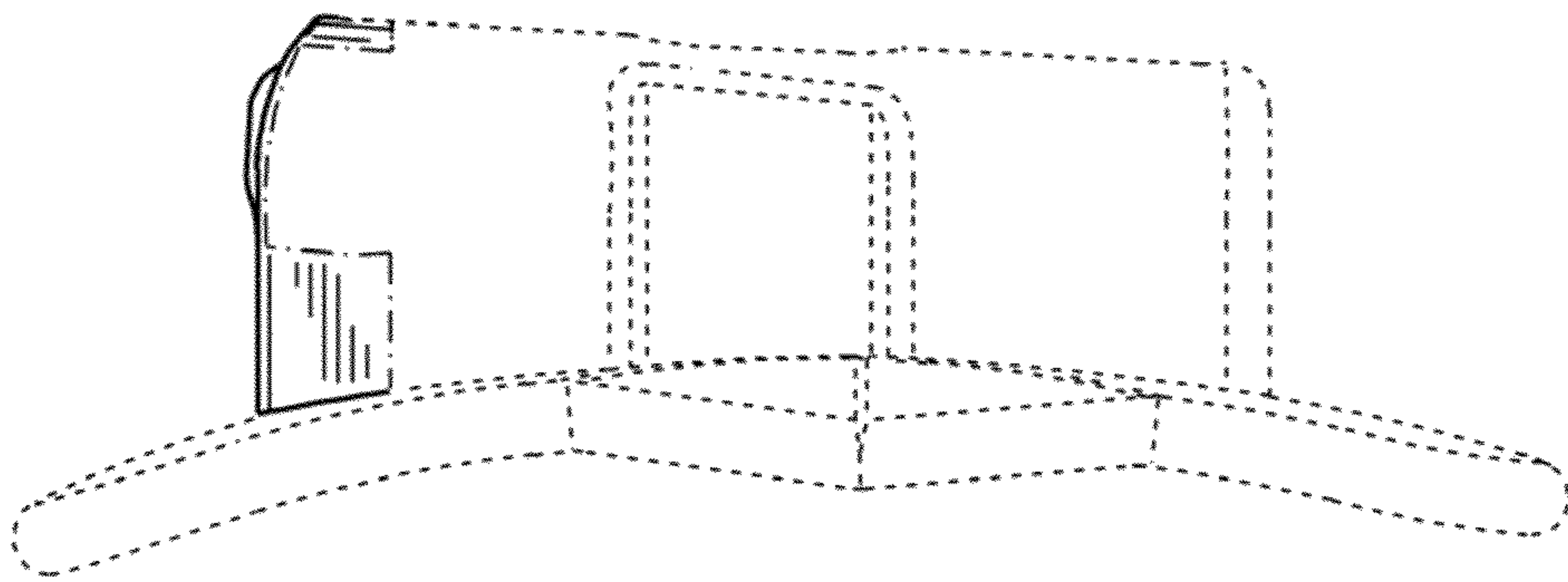


FIG. 3

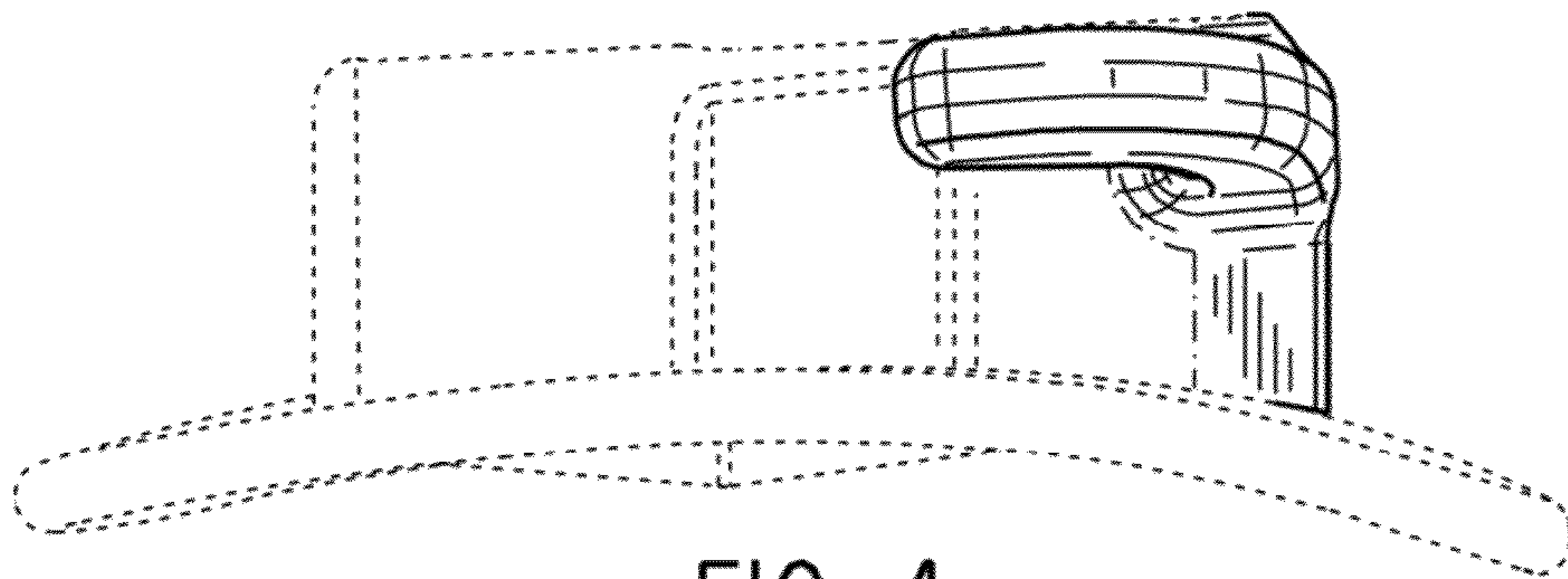


FIG. 4

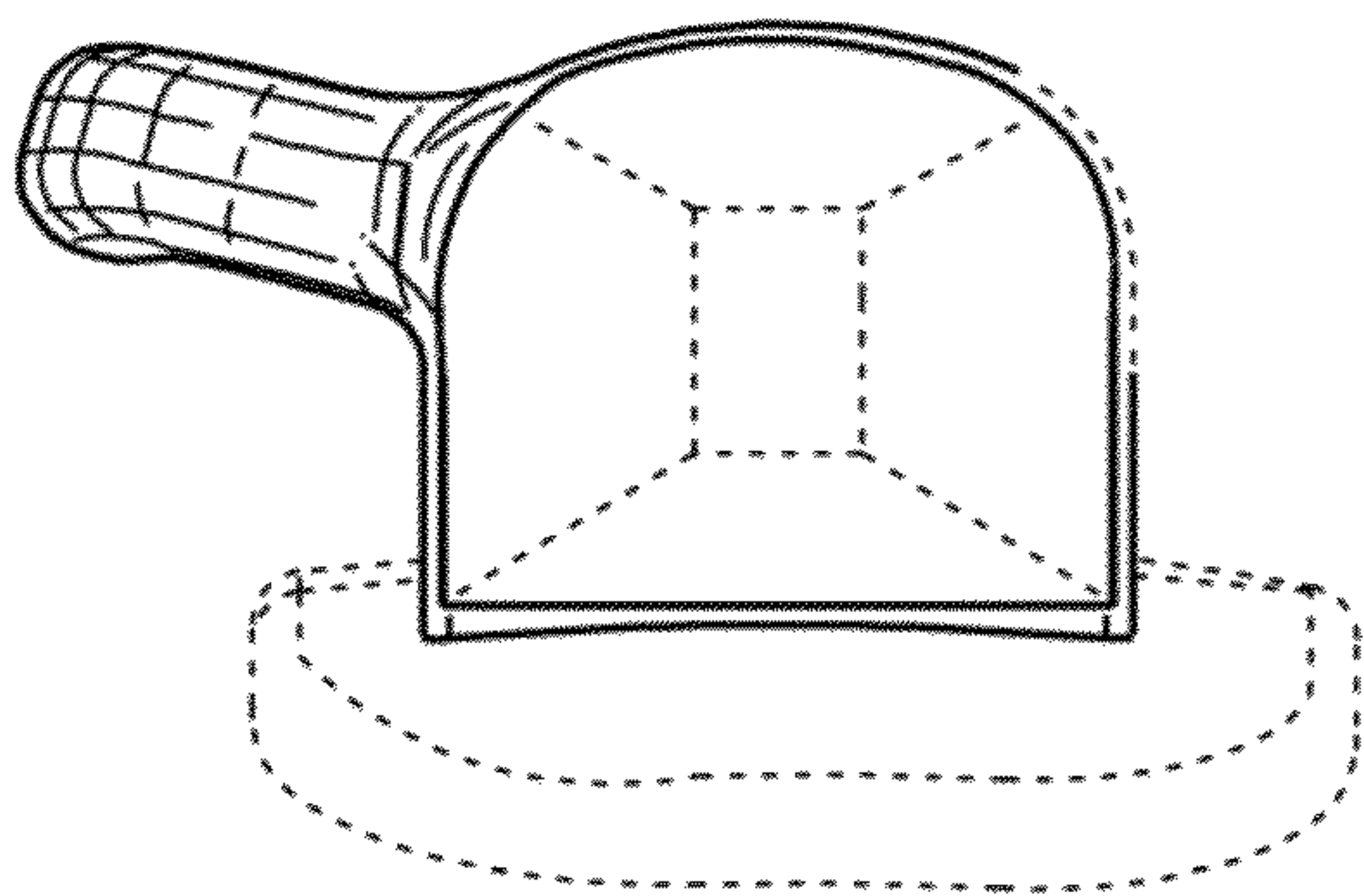


FIG. 5

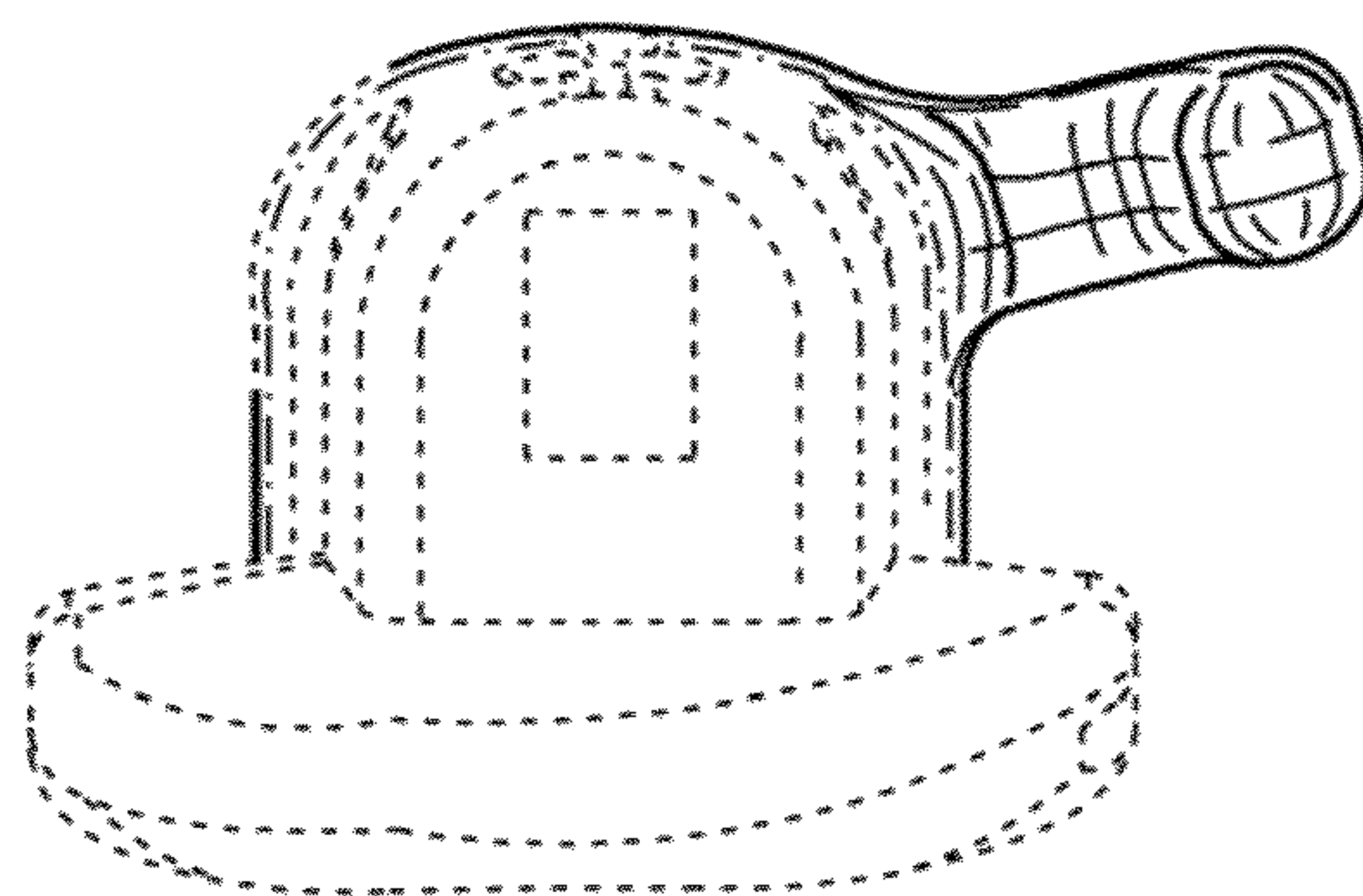


FIG. 6

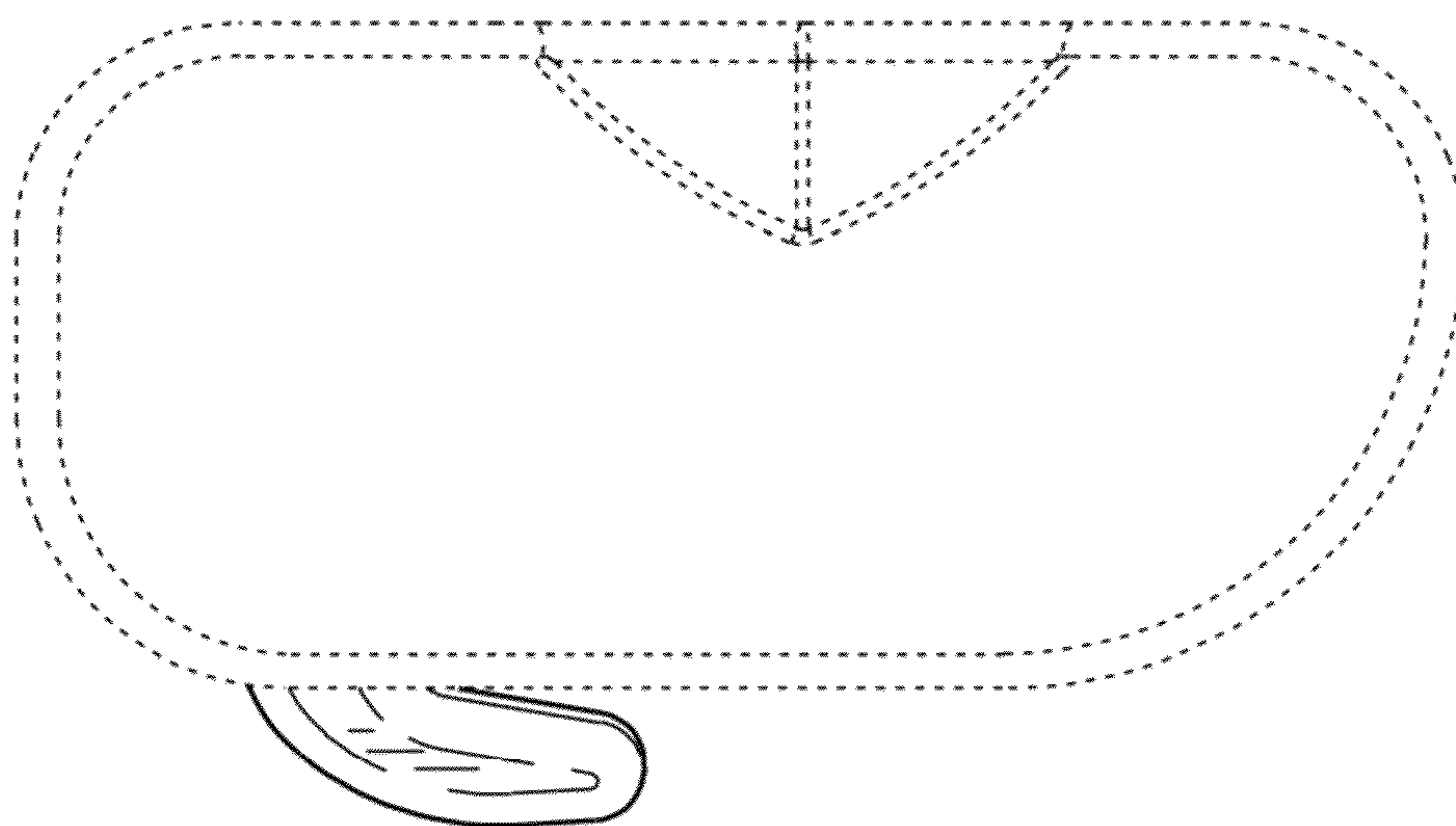


FIG. 7