



US00D739534S

(12) **United States Design Patent**
Boudier

(10) **Patent No.:** **US D739,534 S**

(45) **Date of Patent:** **** Sep. 22, 2015**

- (54) **TOMOSYNTHESIS DEVICE**
- (75) Inventor: **Aurélie Boudier**, Bois d'Arcy (FR)
- (73) Assignee: **General Electric Company**,
Schenectady, NY (US)
- (**) Term: **14 Years**
- (21) Appl. No.: **29/403,343**
- (22) Filed: **Oct. 5, 2011**
- (51) **LOC (10) Cl.** **24-02**
- (52) **U.S. Cl.**
USPC **D24/172**
- (58) **Field of Classification Search**
USPC D24/158–161, 183–187; 378/4, 15, 17,
378/20, 21, 23–27, 62, 68, 146, 37, 155,
378/195–198, 208; 600/424, 425, 427, 436;
250/363.02, 362
CPC A61B 3/00; A61B 3/0075; A61B 3/02
See application file for complete search history.

D705,430	S *	5/2014	Sekine	D24/172
8,744,552	B2 *	6/2014	Akuzawa et al.	600/424
D712,041	S *	8/2014	Glaesker et al.	D24/184
8,848,866	B2 *	9/2014	Virta	378/37
2007/0223651	A1 *	9/2007	Wagenaar et al.	378/37
2008/0181360	A1 *	7/2008	Hemmendorff	378/37
2009/0003519	A1 *	1/2009	Defreitas et al.	378/37
2011/0206181	A1 *	8/2011	Linev	378/37
2011/0226959	A1	9/2011	Boudier et al.		
2014/0072100	A1 *	3/2014	Jang et al.	378/37
2014/0255983	A1 *	9/2014	Choi	435/34

* cited by examiner

Primary Examiner — Ian Simmons

Assistant Examiner — Carissa C Fitts

(74) *Attorney, Agent, or Firm* — Ziolkowski Patent Solutions Group, SC

(57) **CLAIM**

The ornamental design for a tomosynthesis device, as shown and described herein.

DESCRIPTION

FIG. 1 is a perspective view of a tomosynthesis device in accordance with the present invention.

FIG. 2 is a front elevational view of the tomosynthesis device of FIG. 1.

FIG. 3 is a back elevational view of the tomosynthesis device of FIG. 1.

FIG. 4 is a right side elevational view of the tomosynthesis device of FIG. 1; and,

FIG. 5 is a left side elevational view of the tomosynthesis device of FIG. 1.

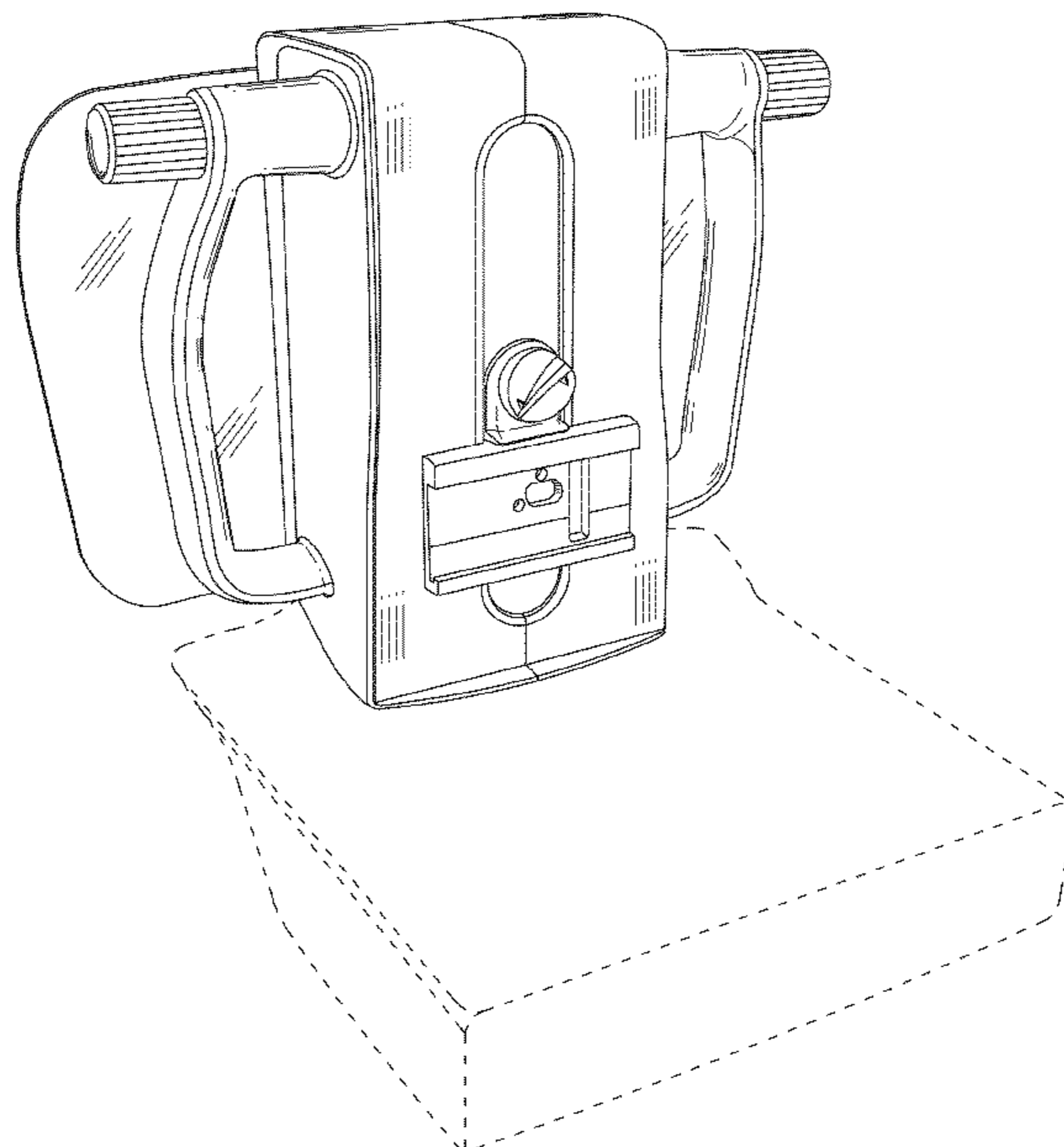
The broken lines in the drawing views are included for the purpose of illustrating portions of the tomosynthesis device that form no part of the claimed design.

1 Claim, 5 Drawing Sheets

(56) **References Cited**

U.S. PATENT DOCUMENTS

4,829,547	A *	5/1989	Mustain	378/21
D315,207	S *	3/1991	Korvenmaa	D24/158
D589,622	S *	3/2009	Koest	D24/172
7,573,977	B2 *	8/2009	Tsujita et al.	378/37
D609,811	S *	2/2010	Yokoyama et al.	D24/159
D614,774	S *	4/2010	Gausmann et al.	D24/172
7,792,245	B2 *	9/2010	Hitzke et al.	378/37
7,869,563	B2 *	1/2011	Defreitas et al.	378/37
D659,833	S *	5/2012	Ogura	D24/158
D664,254	S *	7/2012	Yokoyama et al.	D24/158
D669,989	S *	10/2012	Boudier	D24/158
D671,647	S *	11/2012	Boudier et al.	D24/158
D679,398	S *	4/2013	Boudier	D24/158
8,419,276	B2 *	4/2013	Oda et al.	378/198



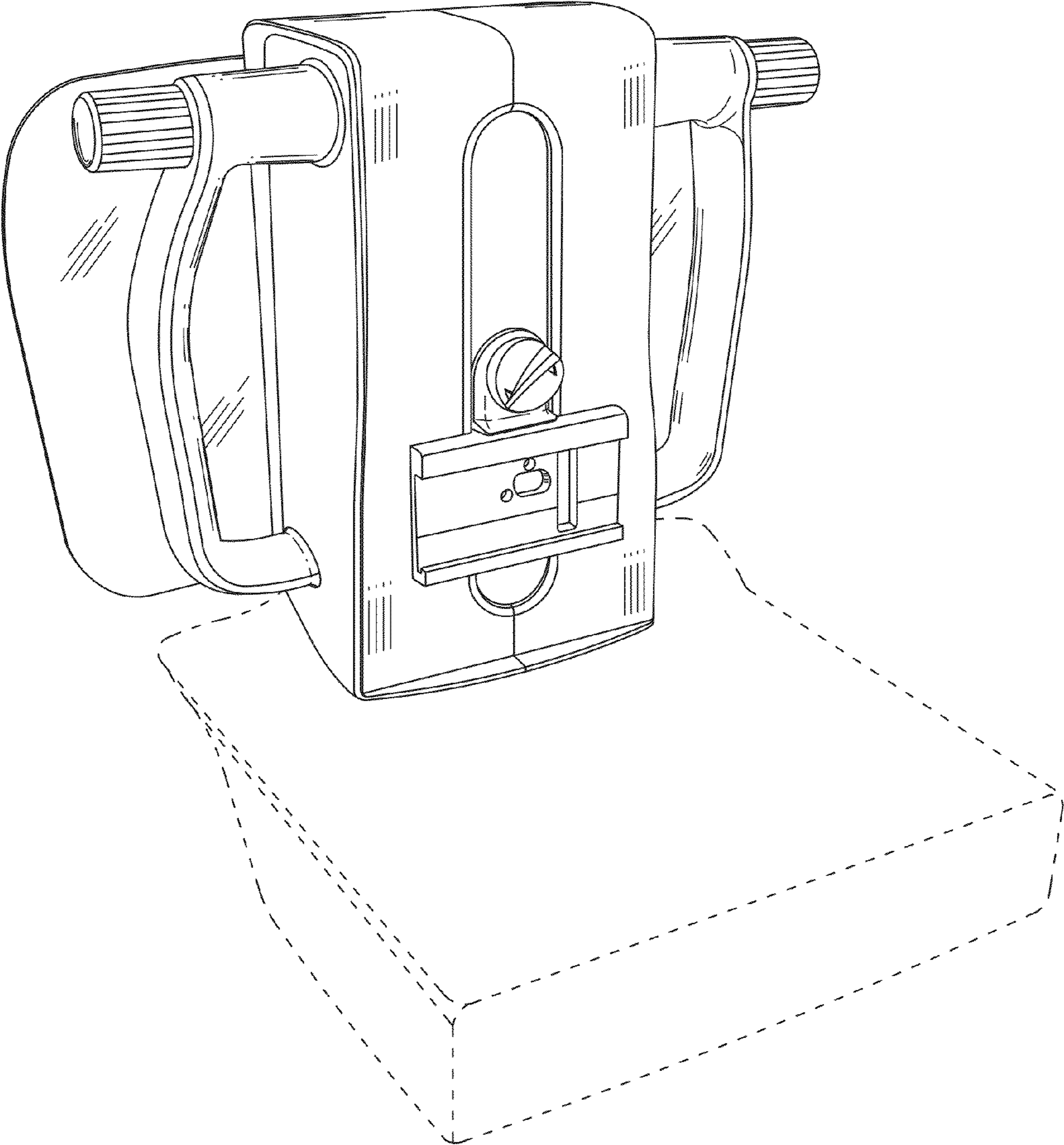


FIG. 1

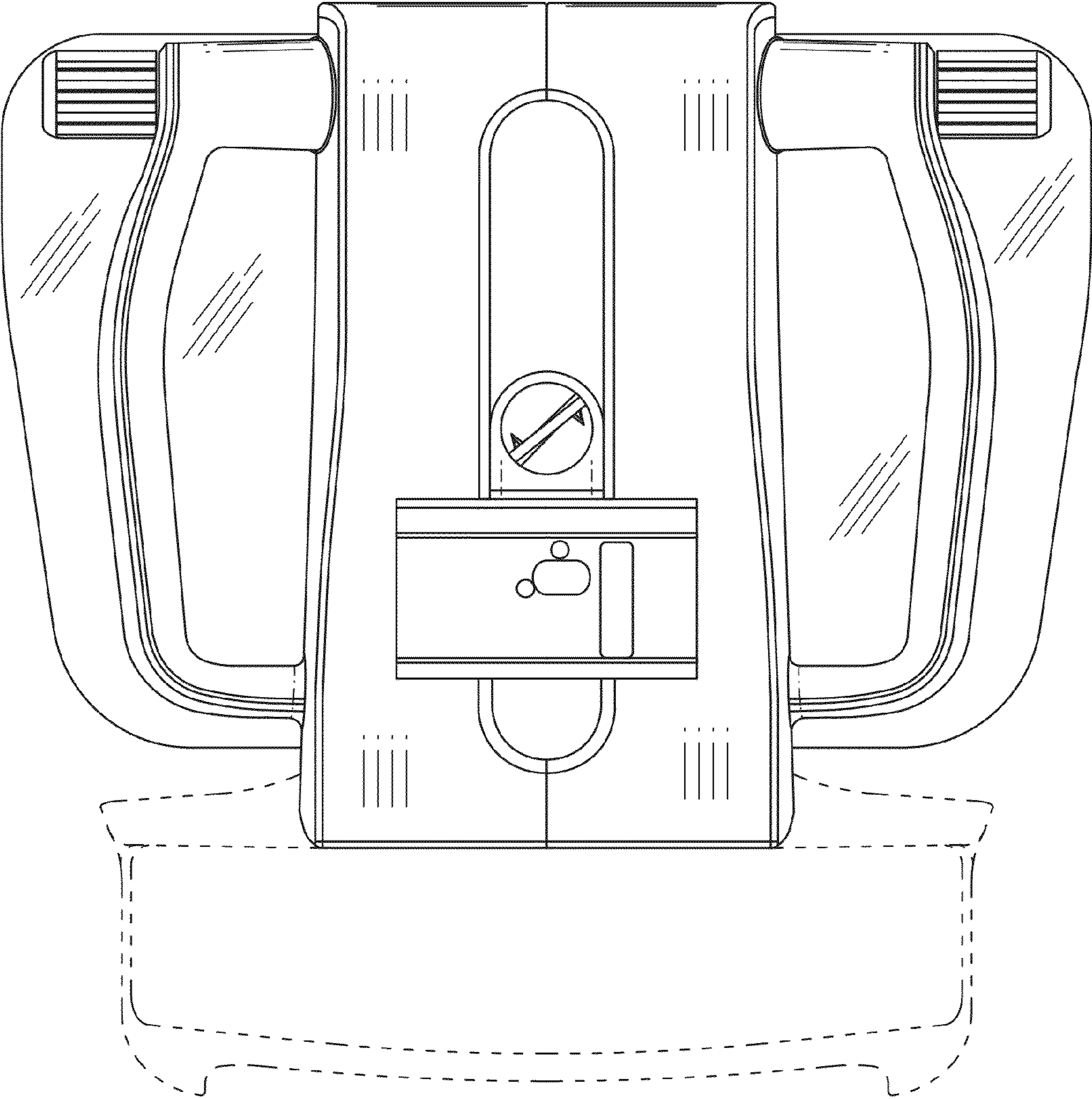


FIG. 2

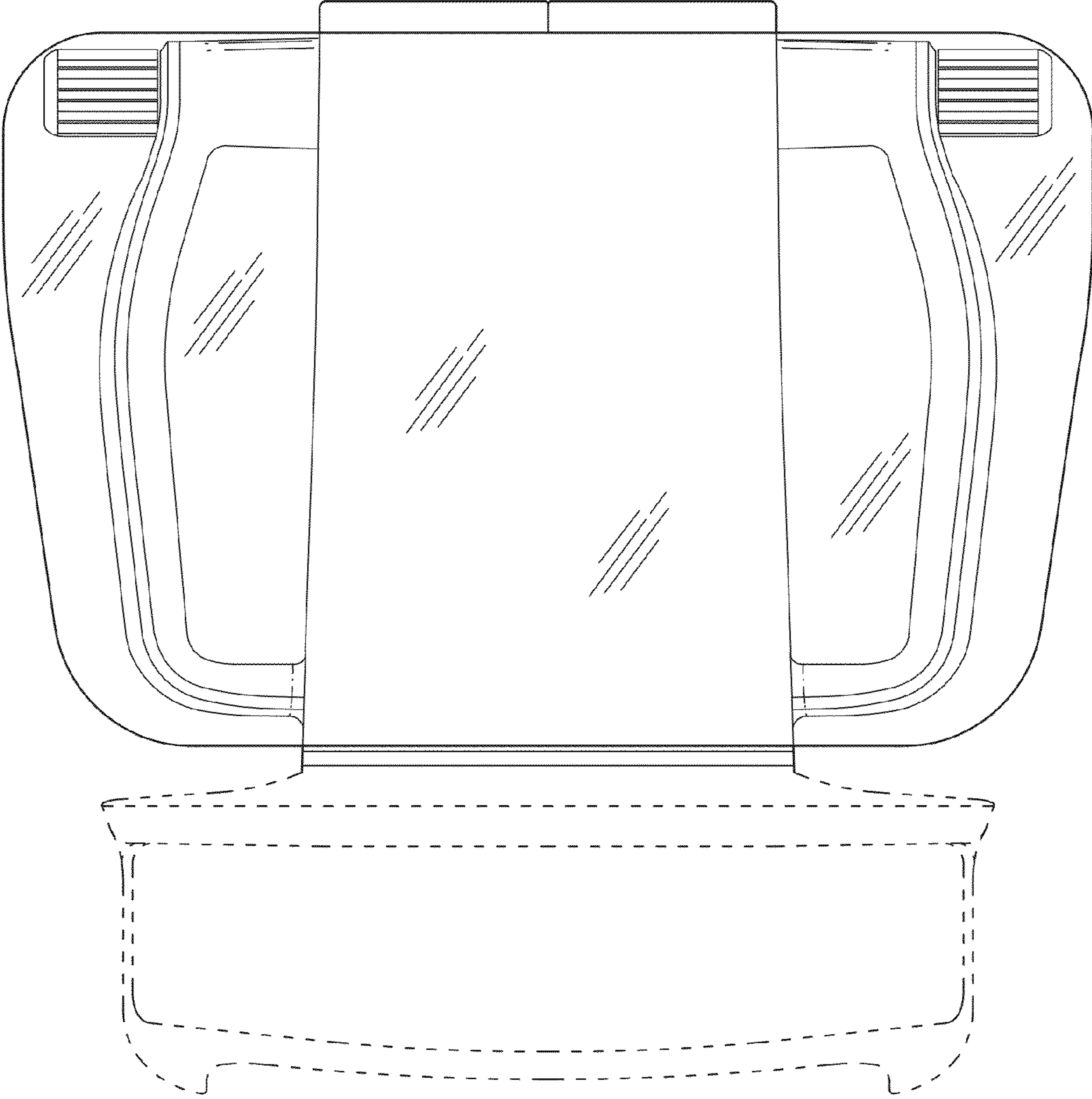


FIG. 3

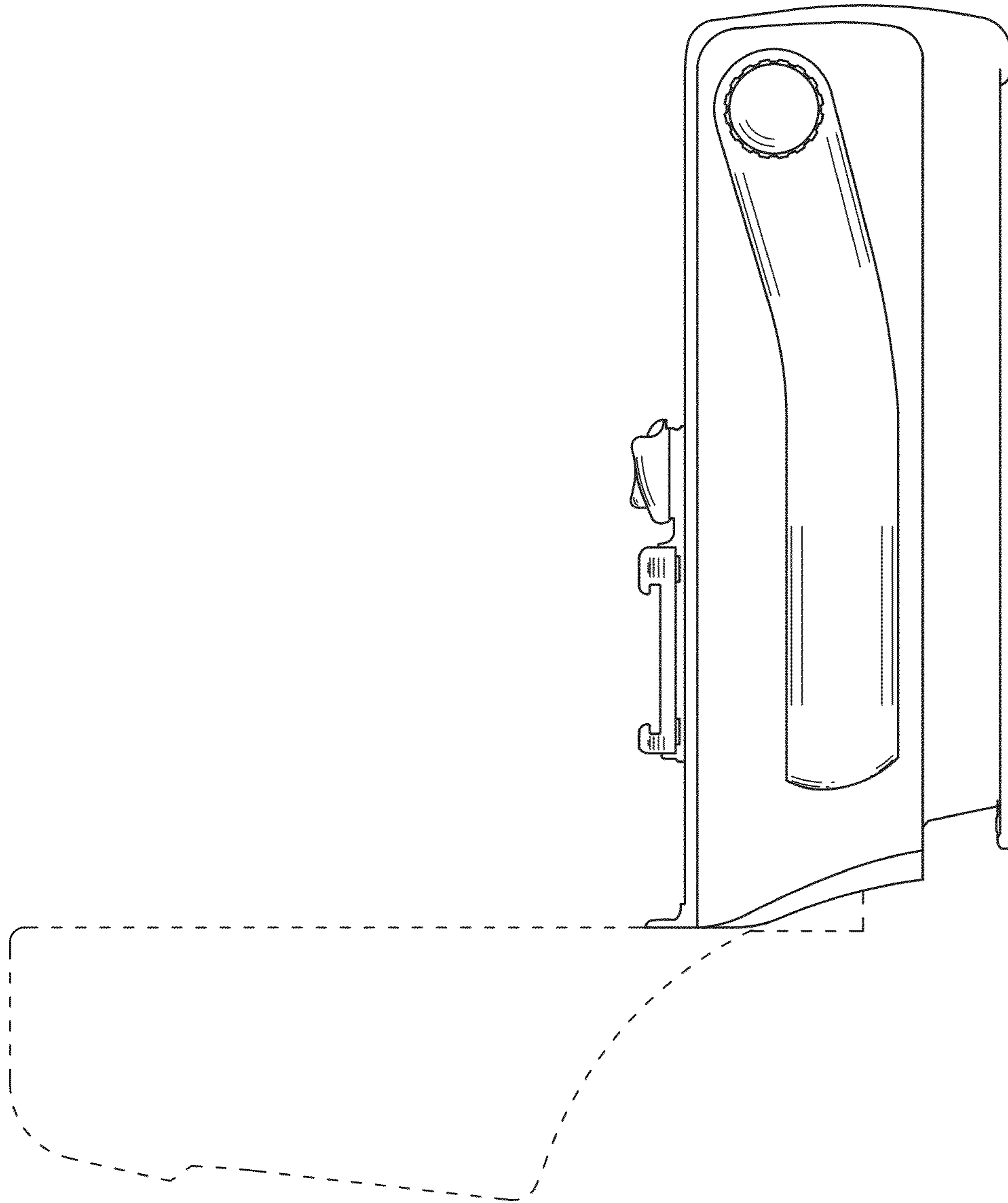


FIG. 4

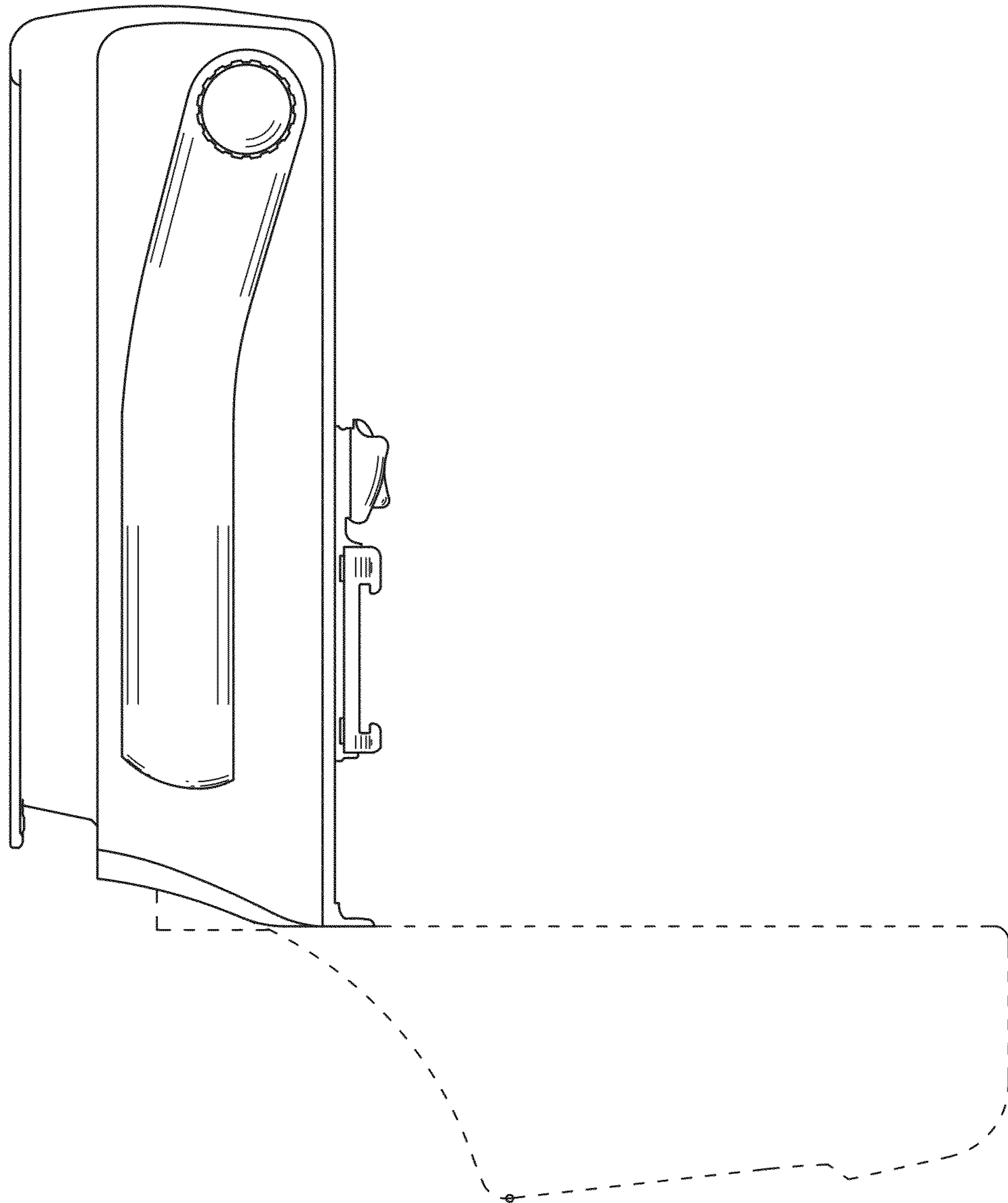


FIG. 5