



US00D739530S

(12) **United States Design Patent**
Chechik

(10) **Patent No.:** **US D739,530 S**

(45) **Date of Patent:** **** *Sep. 22, 2015**

(54) **PUMP BULB WITH MULTI-CONCAVITY
FACES FOR AN IMPLANTABLE PENILE
PROSTHETIC**

FOREIGN PATENT DOCUMENTS

EP 0065853 A1 12/1982
EP 0714300 A1 6/1996

(Continued)

(71) Applicant: **Coloplast A/S**, Humlebaek (DK)

OTHER PUBLICATIONS

(72) Inventor: **Joel Chechik**, Minneapolis, MN (US)

AMS 700 Series Penile Prosthesis Users Guide 2001.

(73) Assignee: **Coloplast A/S**, Humlebaek (DK)

(Continued)

(*) Notice: This patent is subject to a terminal disclaimer.

Primary Examiner — Ian Simmons
Assistant Examiner — Charles Hanson

(**) Term: **14 Years**

(74) *Attorney, Agent, or Firm* — Coloplast Corp., Coloplast A/S; Nick Baumann

(21) Appl. No.: **29/466,005**

(57) **CLAIM**

(22) Filed: **Sep. 4, 2013**

The ornamental design for a pump bulb with multi-concavity faces for an implantable penile prosthetic, as shown and described.

DESCRIPTION

Related U.S. Application Data

(63) Continuation of application No. 13/972,932, filed on Aug. 22, 2013.

FIG. 1 is an isometric view of one embodiment of a pump bulb with multi-concavity faces showing a face of the pump bulb connected between two convex lobes of the pump bulb, where the face is both concave in lateral cross-section and concave in vertical cross-section.

(51) **LOC (10) Cl.** **24-02**

(52) **U.S. Cl.**
USPC **D24/155**

FIG. 2 a front side view of the pump bulb with multi-concavity faces illustrated in FIG. 1.

(58) **Field of Classification Search**

USPC D24/155-157, 165; D21/373, 386;
D9/769; D11/24; 600/30, 37, 40

FIG. 3 a back side view of the pump bulb with multi-concavity faces illustrated in FIG. 1.

CPC A61F 2/26; A61F 2/0013; A61F 2/004;
A61F 2/0045; A61F 2/0063; A61F 2005/415;
A61F 5/41; A61F 2230/001; A61F 2250/0039
See application file for complete search history.

FIG. 4 is a left side view of the pump bulb with multi-concavity faces illustrated in FIG. 1, where a right side view is not illustrated as it is a mirror image of the left side view.

(56) **References Cited**

U.S. PATENT DOCUMENTS

D233,898 S * 12/1974 Warren D21/373
4,407,278 A 10/1983 Burton et al.

FIG. 5 is a top side view of the pump bulb with multi-concavity faces illustrated in FIG. 1; and,

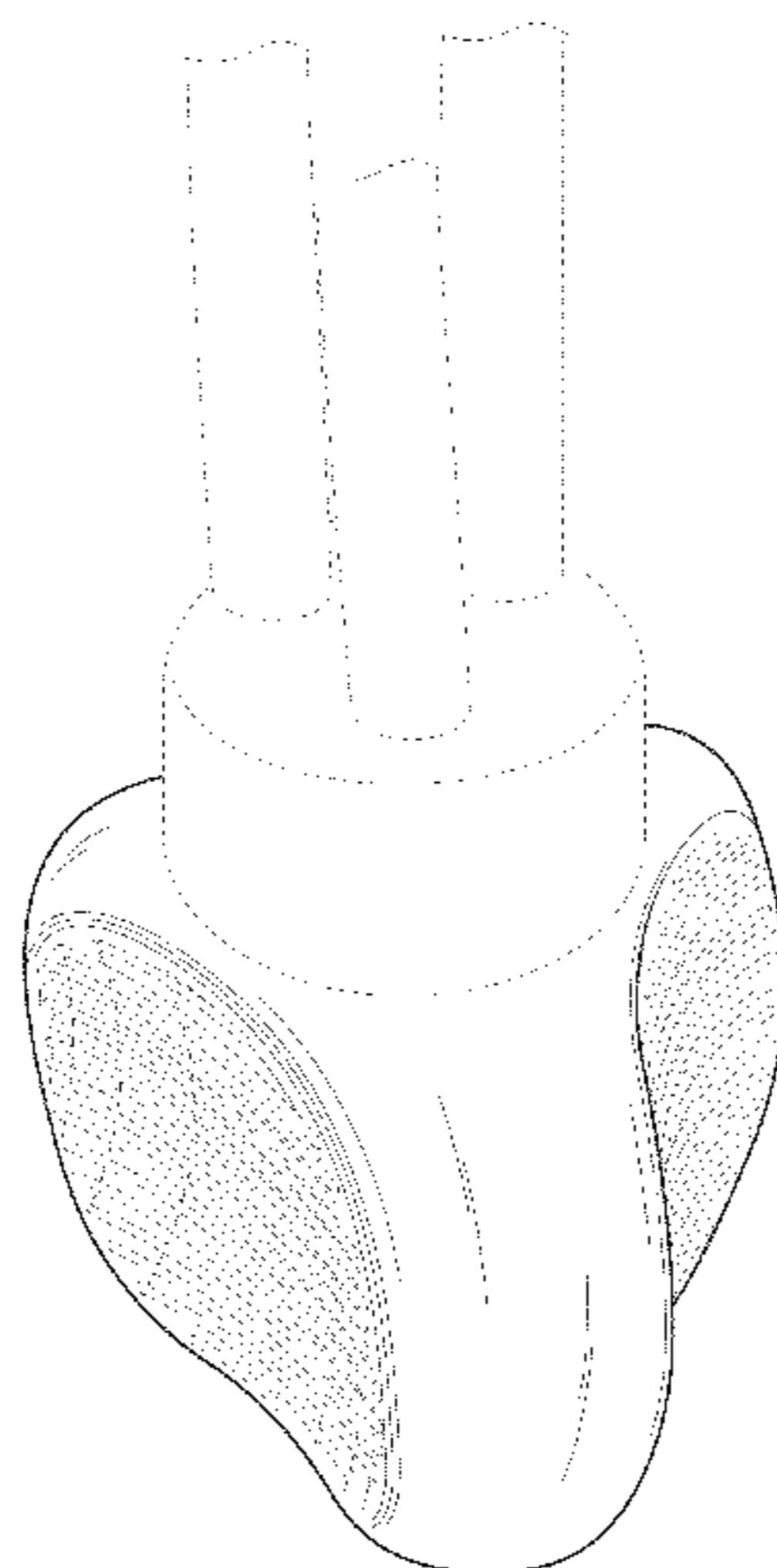
FIG. 6 is a bottom side view of the pump bulb with multi-concavity faces illustrated in FIG. 1.

In FIGS. 1-5 the broken lines illustrating conduits connected to the pump bulb form no part of the claimed design.

The broken line showing of conduits connected to the pump bulb and ribs on the faces is included for purpose of illustrating the environment and forms no part of the claimed design.

(Continued)

1 Claim, 4 Drawing Sheets



(56)

References Cited

U.S. PATENT DOCUMENTS

4,881,530 A 11/1989 Trick
D314,018 S * 1/1991 Rosenthal D21/373
5,062,417 A 11/1991 Cowen
5,167,611 A 12/1992 Cowan
5,250,020 A 10/1993 Bley
5,263,981 A * 11/1993 Polyak et al. 623/23.67
5,704,895 A * 1/1998 Scott et al. 600/40
D412,537 S * 8/1999 Underwood D21/373
D414,219 S * 9/1999 Karls D21/386
6,015,380 A * 1/2000 Subrini 600/40
7,914,439 B2 * 3/2011 Kuyava et al. 600/40
7,946,975 B2 * 5/2011 George et al. 600/30
8,167,788 B2 * 5/2012 Fogarty et al. 600/40

8,337,392 B2 * 12/2012 Morningstar 600/40
8,617,050 B2 * 12/2013 Morningstar 600/37
8,641,601 B2 * 2/2014 Ellering 600/40
2004/0138523 A1 7/2004 Kuyava et al.

FOREIGN PATENT DOCUMENTS

EP 1220666 A2 7/2002
WO 9505172 A1 2/1995
WO 0059491 A2 10/2000

OTHER PUBLICATIONS

Extended Search Report of Nov. 5, 2013 from EPO.

* cited by examiner

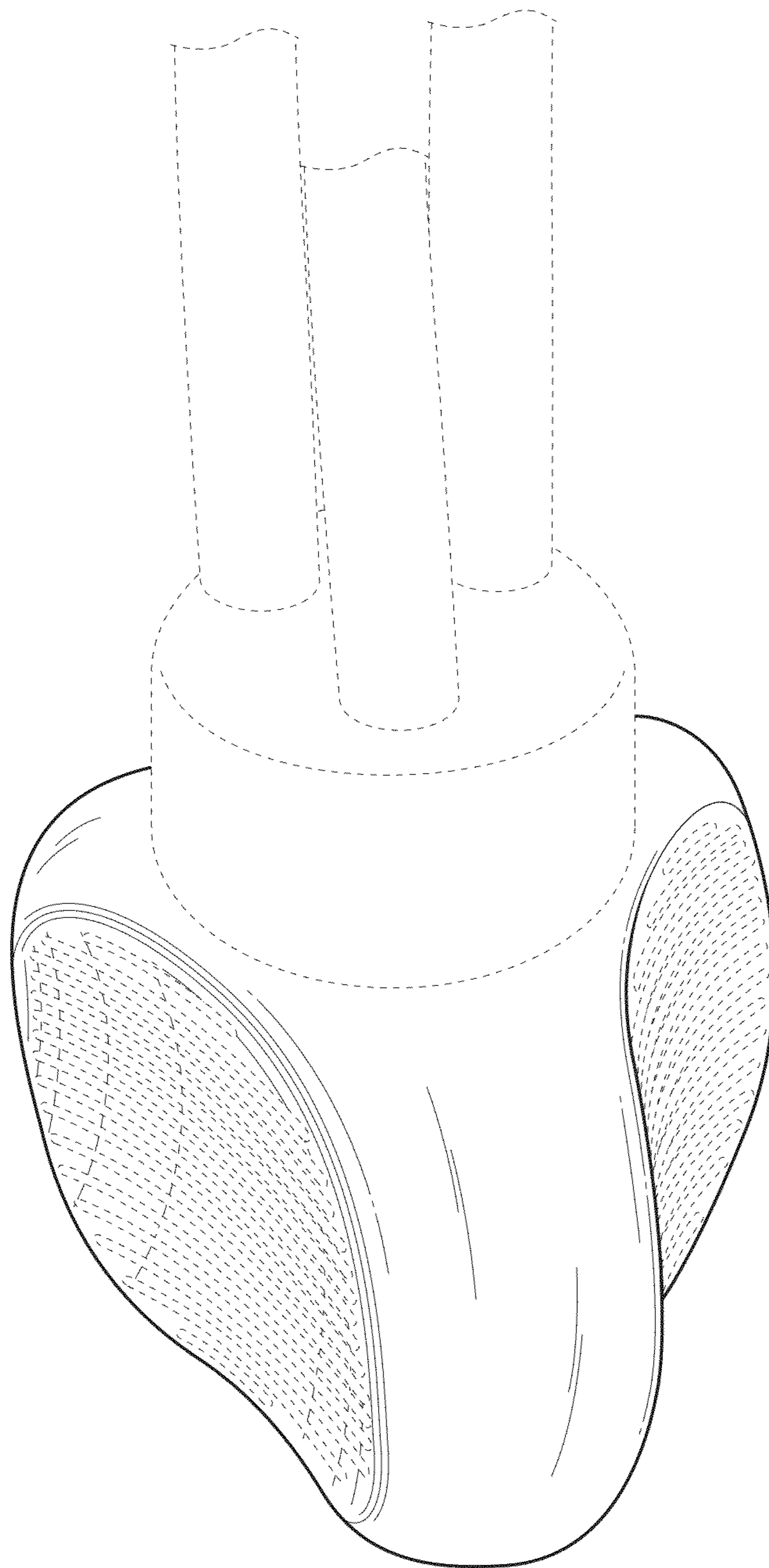


Fig. 1

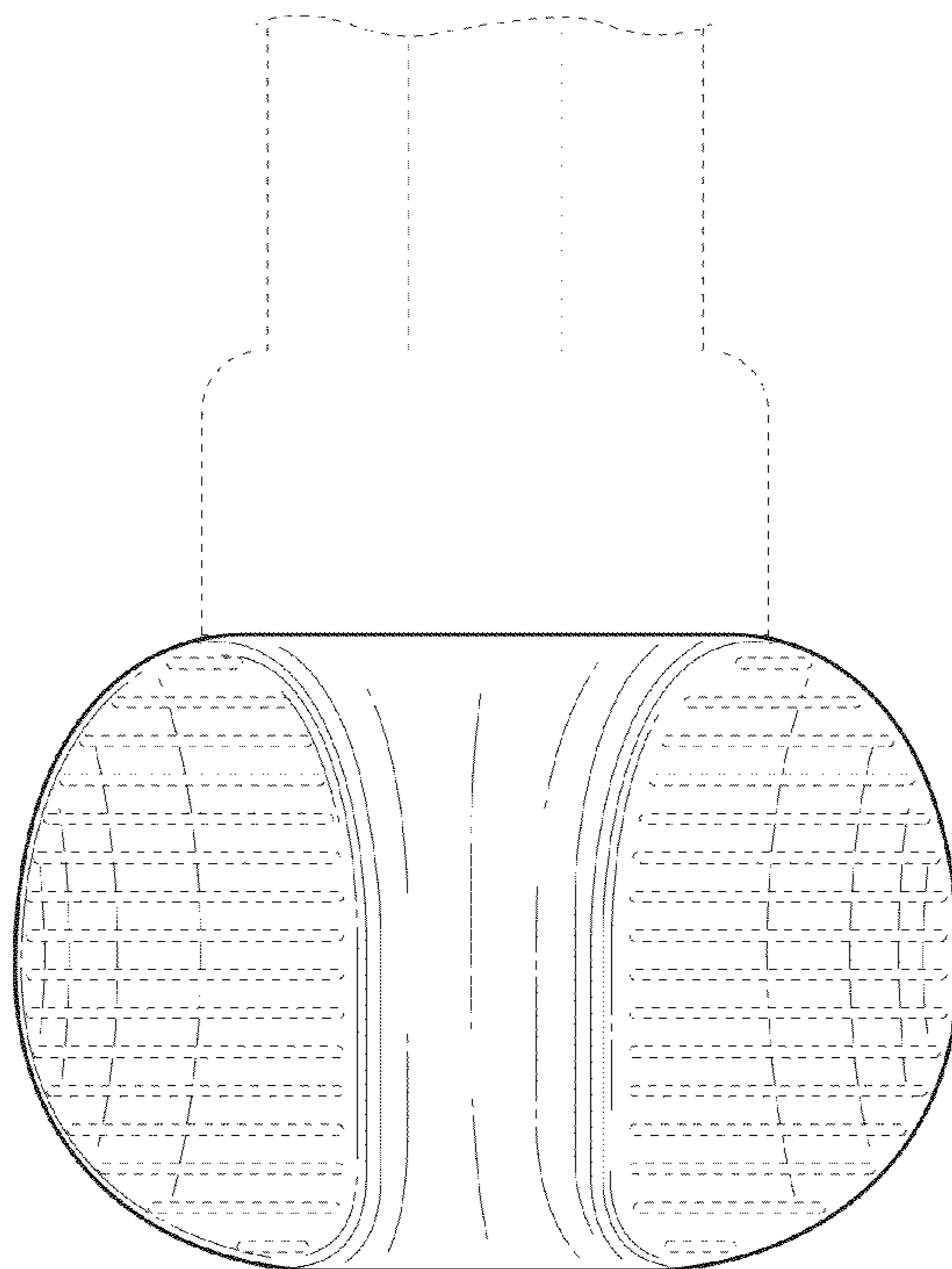


Fig. 2

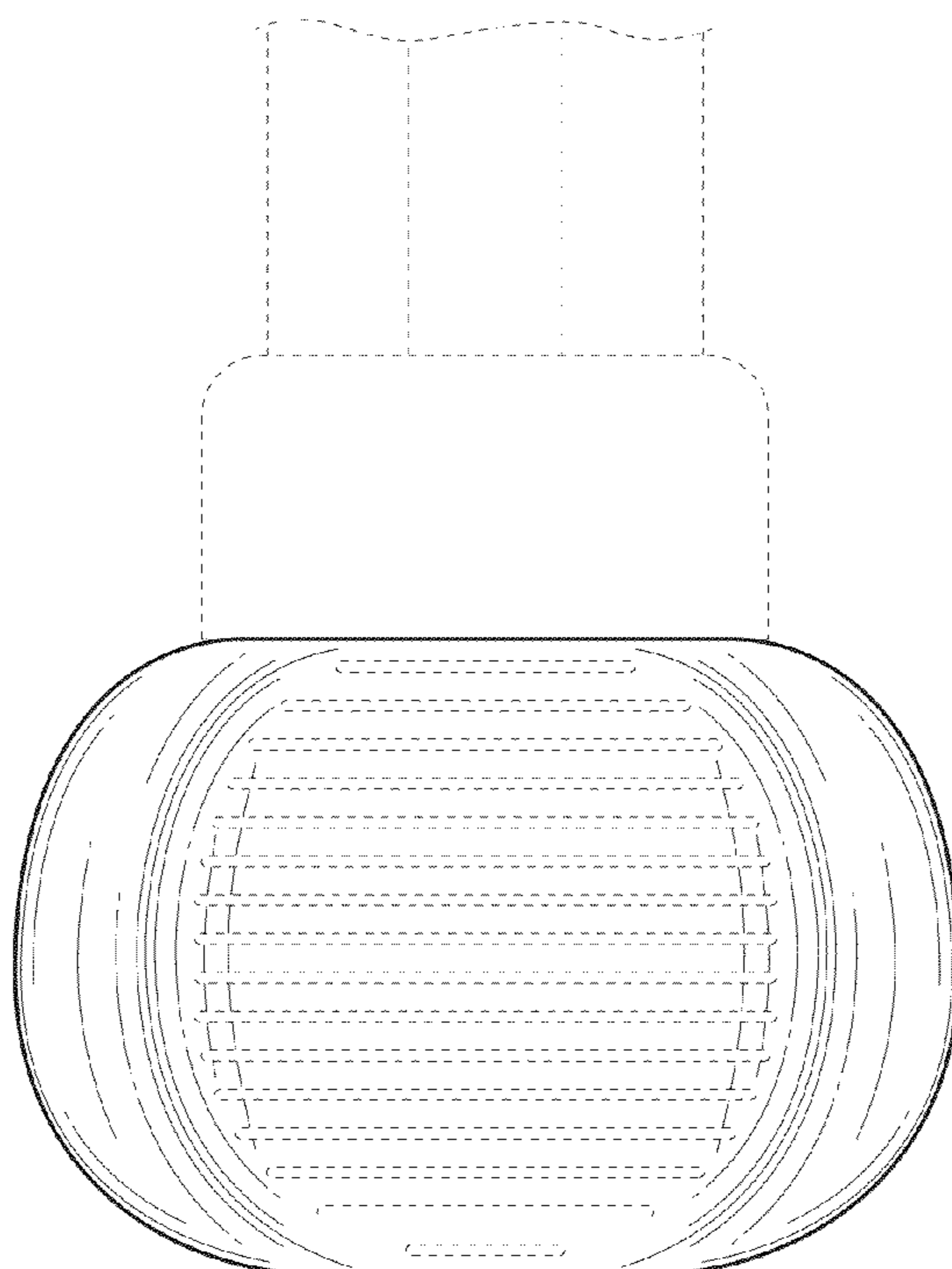


Fig. 3

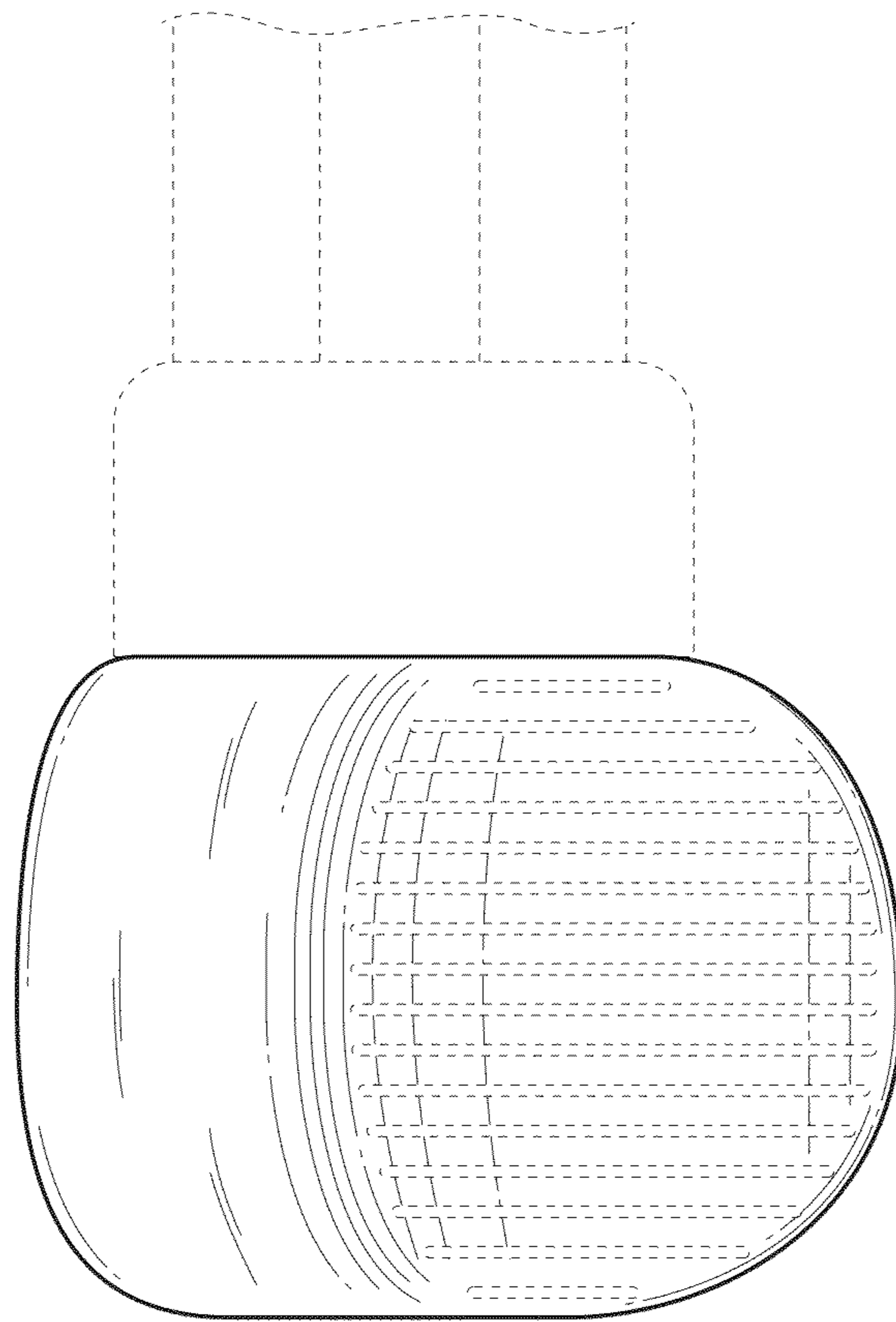


Fig. 4

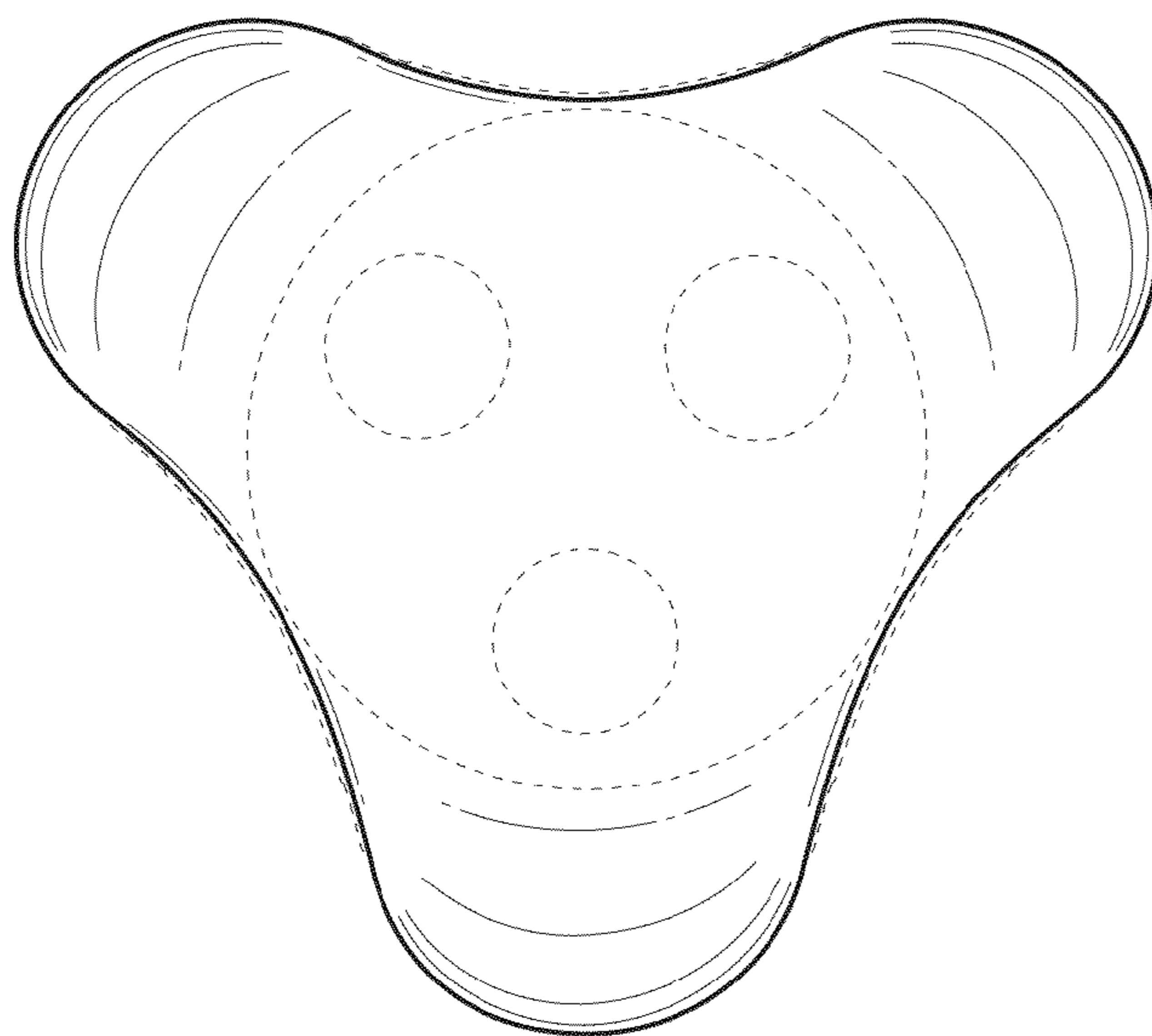


Fig. 5

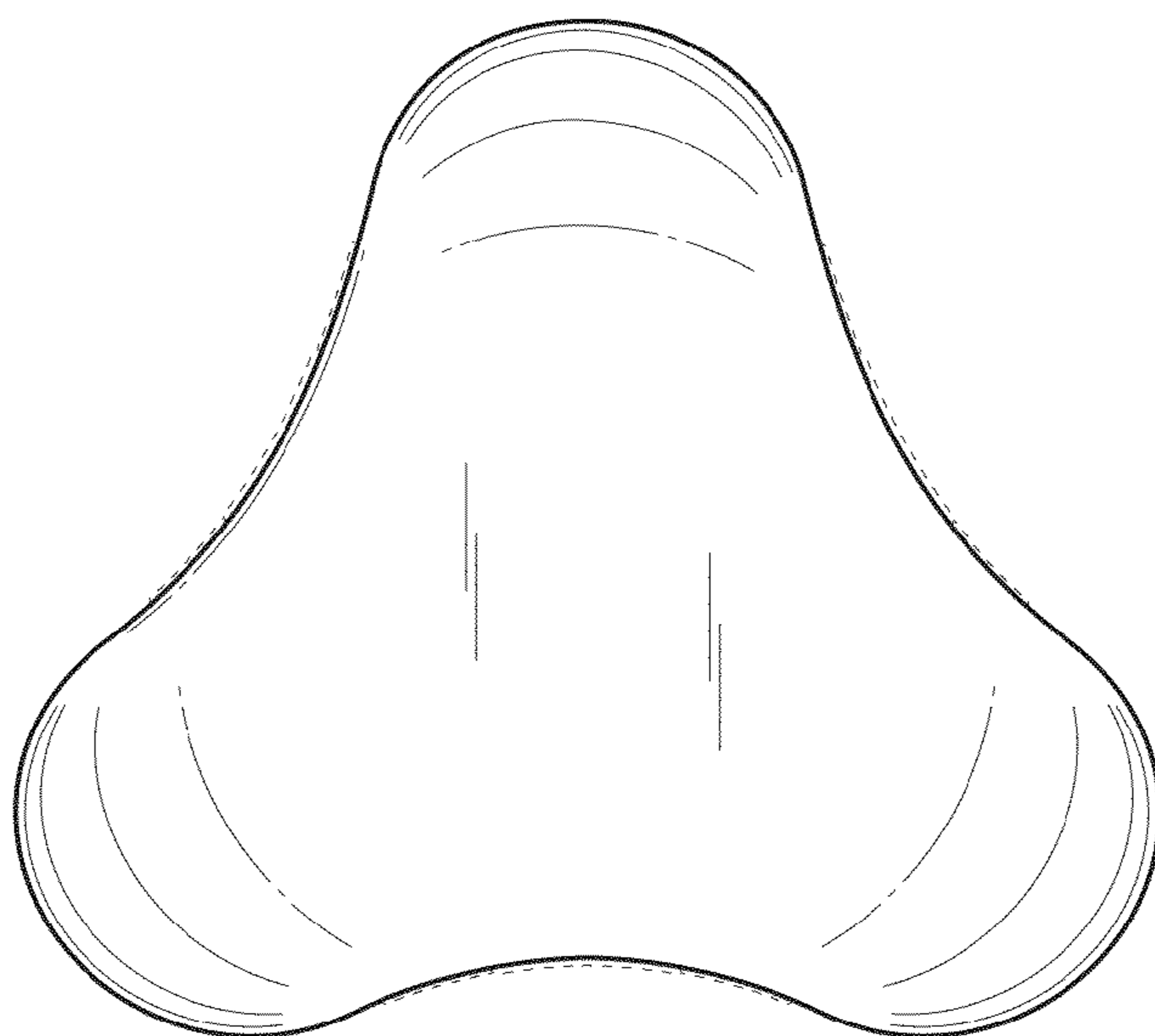


Fig. 6