



US00D739527S

(12) **United States Design Patent**
Chauvette

(10) **Patent No.:** **US D739,527 S**

(45) **Date of Patent:** **** Sep. 22, 2015**

(54) **CONNECTOR**

FOREIGN PATENT DOCUMENTS

(71) Applicant: **ConMed Corporation**, Utica, NY (US)

WO 9849944 11/1998

(72) Inventor: **Guillaume Chauvette**, Victoriaville (CA)

WO 0175318 10/2001

WO 2008040537 4/2008

WO 2008132897 6/2008

WO 2009023851 2/2009

WO 2011008828 1/2011

(73) Assignee: **ConMed Corporation**, Utica, NY (US)

OTHER PUBLICATIONS

(**) Term: **14 Years**

The AssistArm youtube video by GCS Medical Inc, Jun. 14, 2012, <https://www.youtube.com/watch?v=GpA9J9Opw38>.*

(21) Appl. No.: **29/439,732**

The AssistArm by GCS Medical, <http://www.gcs-medical.com/products>.*

(22) Filed: **Dec. 14, 2012**

(Continued)

(51) **LOC (10) Cl.** **24-01**

(52) **U.S. Cl.**
USPC **D24/129**

(58) **Field of Classification Search**
USPC D24/127-131, 112-114, 133, 186;
606/181, 185; 604/264, 272, 115, 232,
604/187, 158, 164.08, 192, 263, 163, 181,
604/184, 198, 227; 600/101, 139, 143;
128/200.24, 207.14, 207.15

See application file for complete search history.

Primary Examiner — David Muller

Assistant Examiner — Nathan Johnston

(74) *Attorney, Agent, or Firm* — Heslin Rothenberg Farley & Mesiti P.C.; George S. Blasiak, Esq.

(57) **CLAIM**

The ornamental design for a connector, as shown and described.

DESCRIPTION

(56) **References Cited**

U.S. PATENT DOCUMENTS

D257,063	S	*	9/1980	Galindo	D24/127
D298,355	S	*	11/1988	Young	D24/128
D303,710	S	*	9/1989	Neill	D24/232
5,336,206	A	*	8/1994	Shichman	604/534
6,035,228	A	*	3/2000	Yanof et al.	
D431,864	S	*	10/2000	Jansen	D24/129
D435,652	S	*	12/2000	Nazarifar et al.	D24/129
D670,553	S	*	11/2012	Mahaffey et al.	D8/343
D675,729	S	*	2/2013	Wang	D24/108
D714,935	S	*	10/2014	Nishioka et al.	D24/130
D717,948	S	*	11/2014	Strong et al.	D24/130
2006/0235364	A1	*	10/2006	O'Hare et al.	604/411
2008/0132897	A1	*	6/2008	Livorsi et al.	
2013/0331817	A1	*	12/2013	Woehr	604/506

FIG. 1 is a perspective view taken from a top, front, right side of a connector;

FIG. 2 is a front elevation view thereof;

FIG. 3 is a left side elevation view thereof;

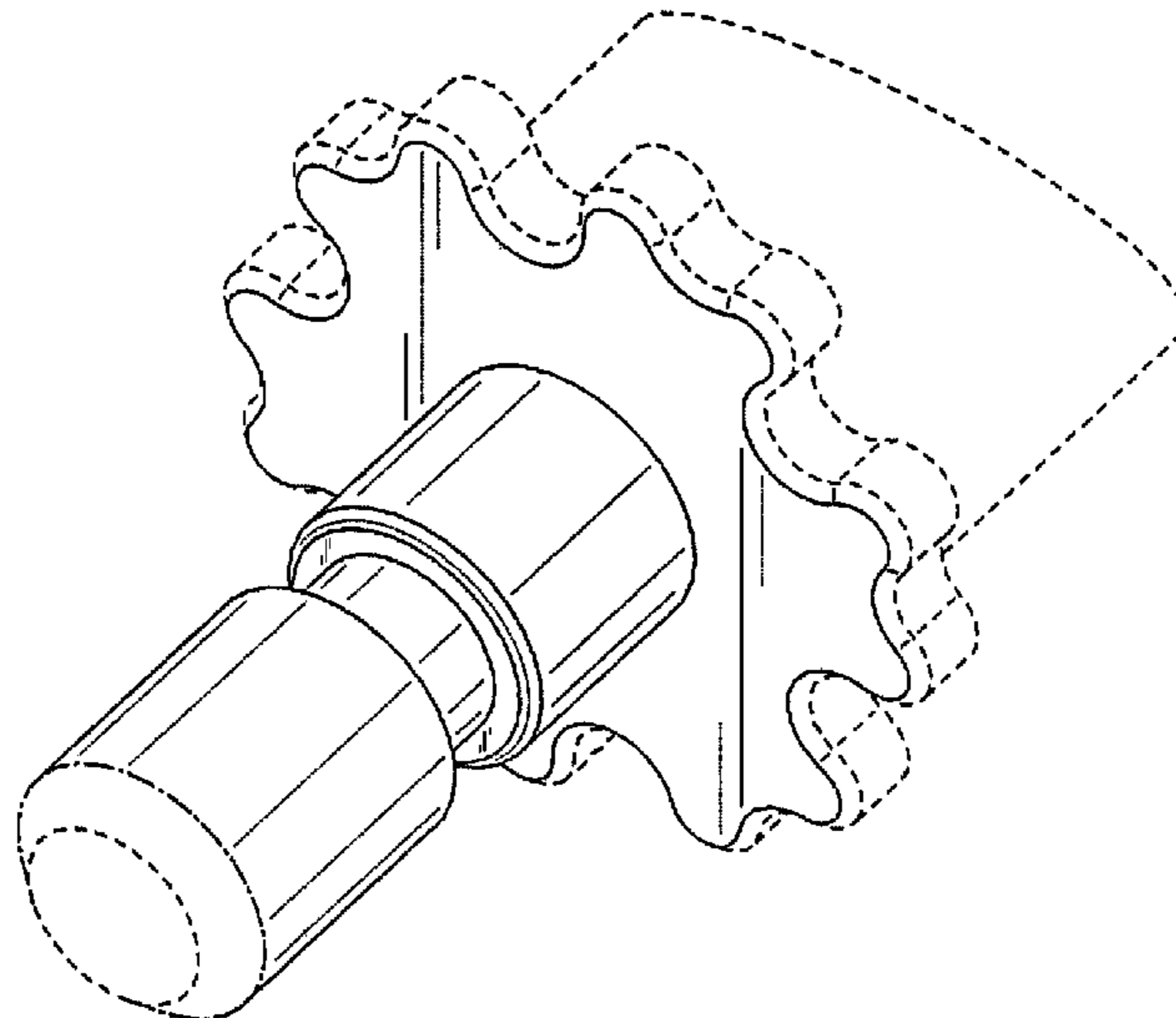
FIG. 4 is a right side elevation view thereof;

FIG. 5 is a top plan view thereof; and,

FIG. 6 is a bottom plan view thereof.

The dash dot lines immediately adjacent to the shaded areas in the views represent the boundaries of the claimed design. The dashed lines in the figures illustrate the portions of the design that form no part of the claimed design. None of the broken lines form any part of the claimed design.

1 Claim, 6 Drawing Sheets



(56)

References Cited

OTHER PUBLICATIONS

Torx; <http://en.wikipedia.org/wiki/Torx>; Feb. 3, 2004.

Torx Plus; http://www.pemnet.com/design_info/torx.html; 2000.

Torx Plus Security; http://www.wihatools.com/700seri/716_ipr_serie.htm; 2007.

Triple Square; http://en.wikipedia.org/wiki/Triple_square; Triple_square; Jun. 3, 2010.

Polydrive; <http://en.wikipedia.org/wiki/Polydrive#Polydrive>; Jun. 3, 2010.

Splinedrive; http://en.wikipedia.org/wiki/Spline_drive#Spline; Jun. 4, 2010.

Bristol; http://en.wikipedia.org/wiki/Bristol_wrench#Bristol; Jun. 4, 2010.

Pentalobular; http://en.wikipedia.org/wiki/Pentalobular_screw#Pentalobular; Jan. 20, 2011.

* cited by examiner

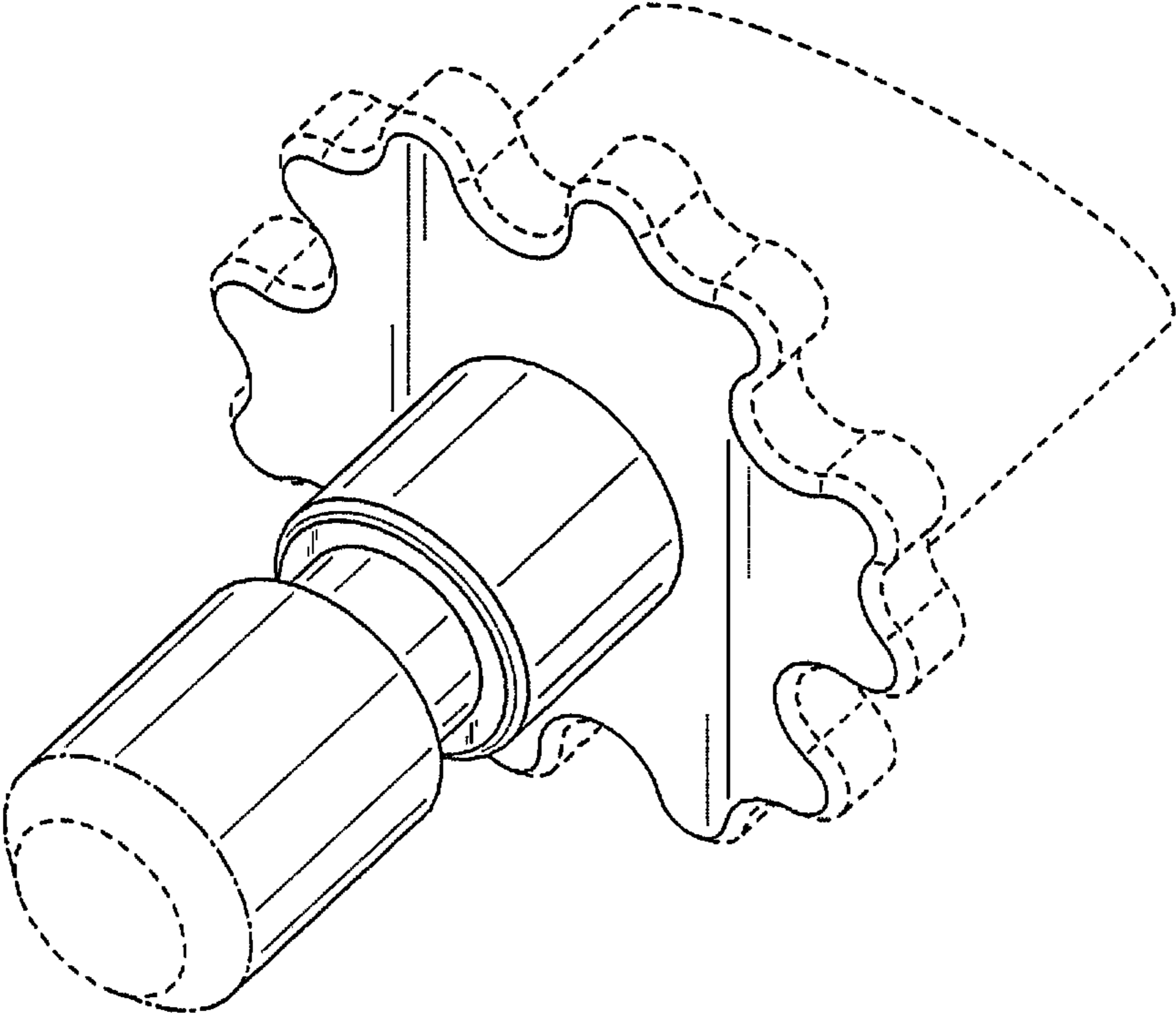


FIG. 1

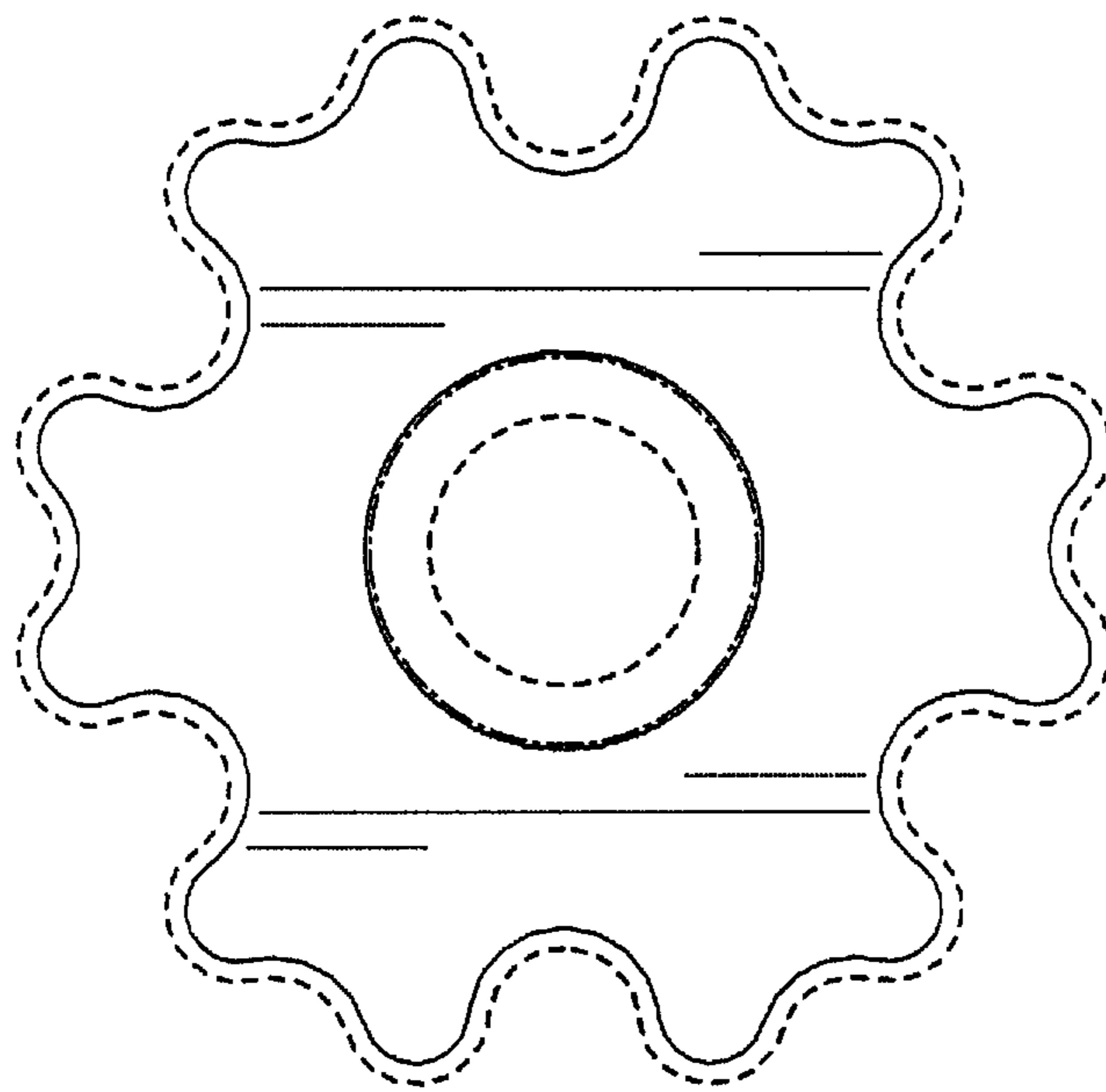


FIG. 2

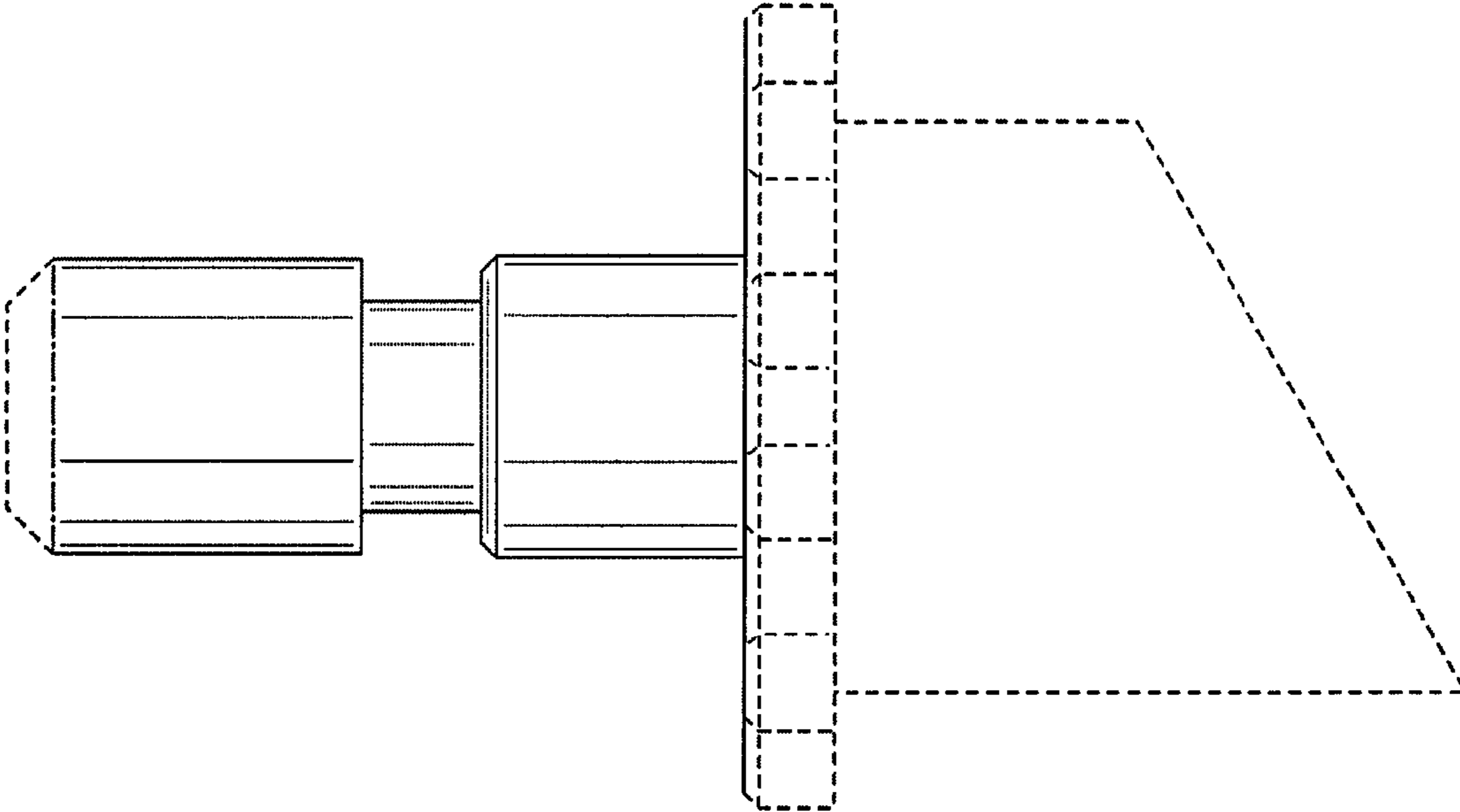


FIG. 3

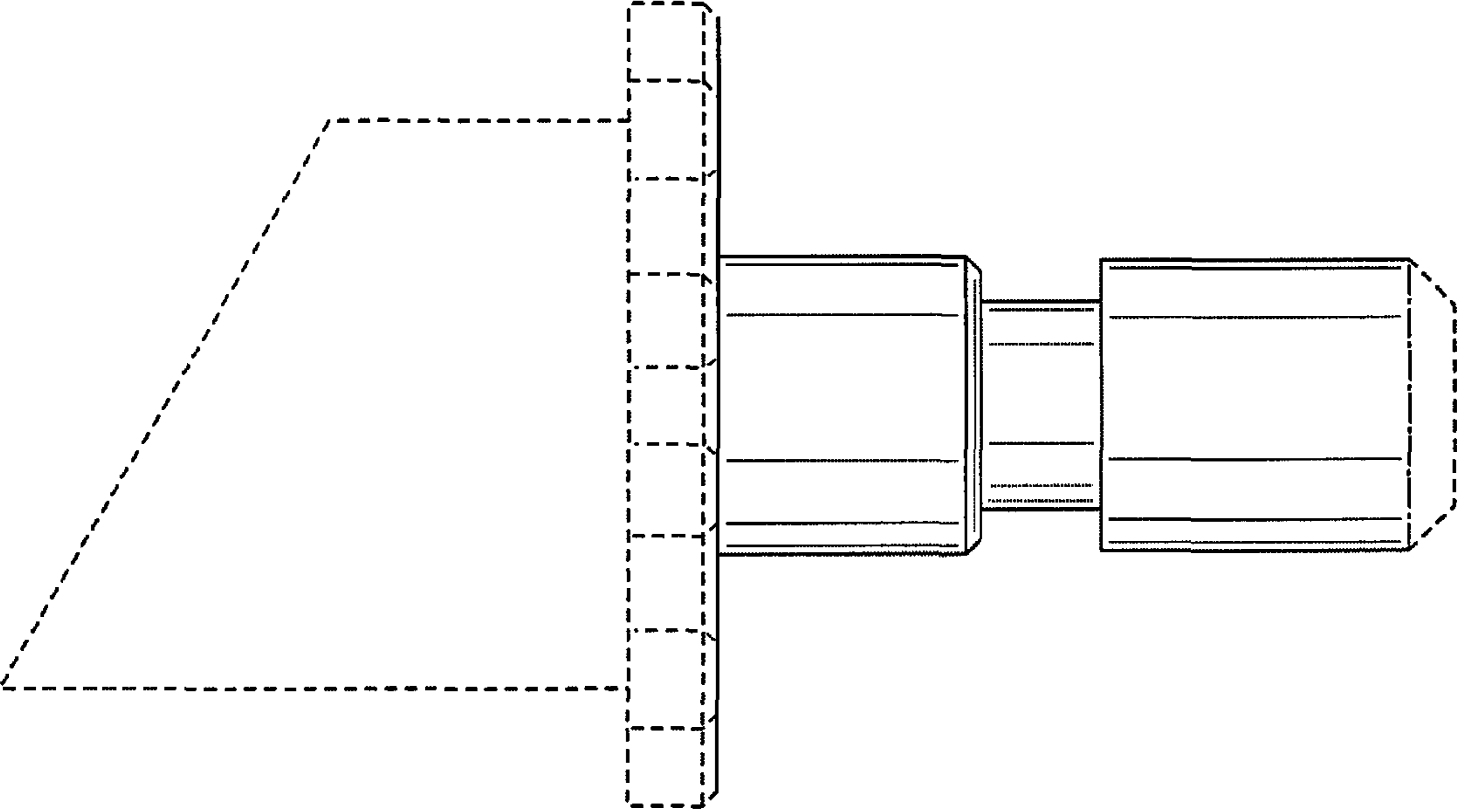


FIG. 4

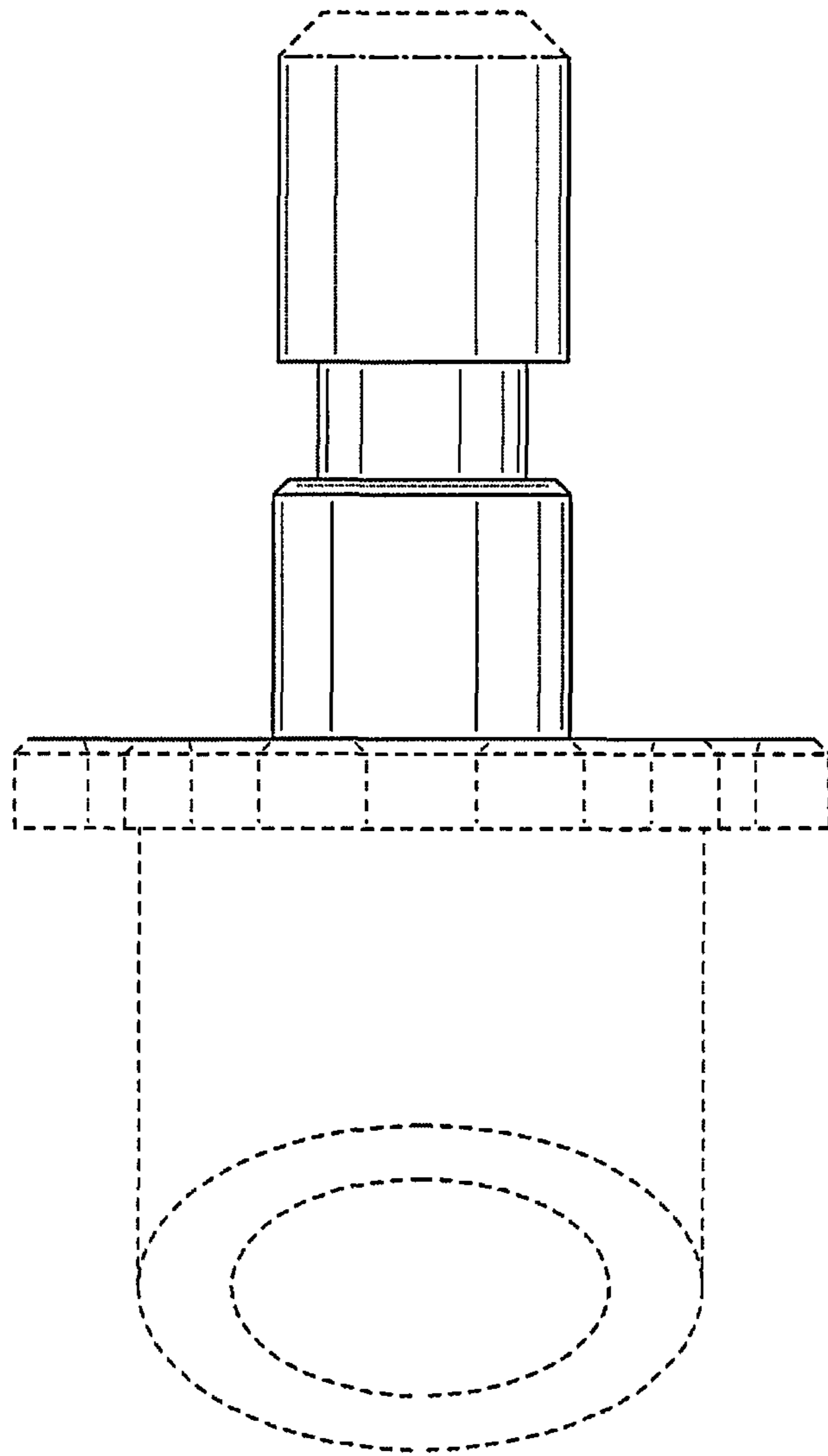


FIG. 5

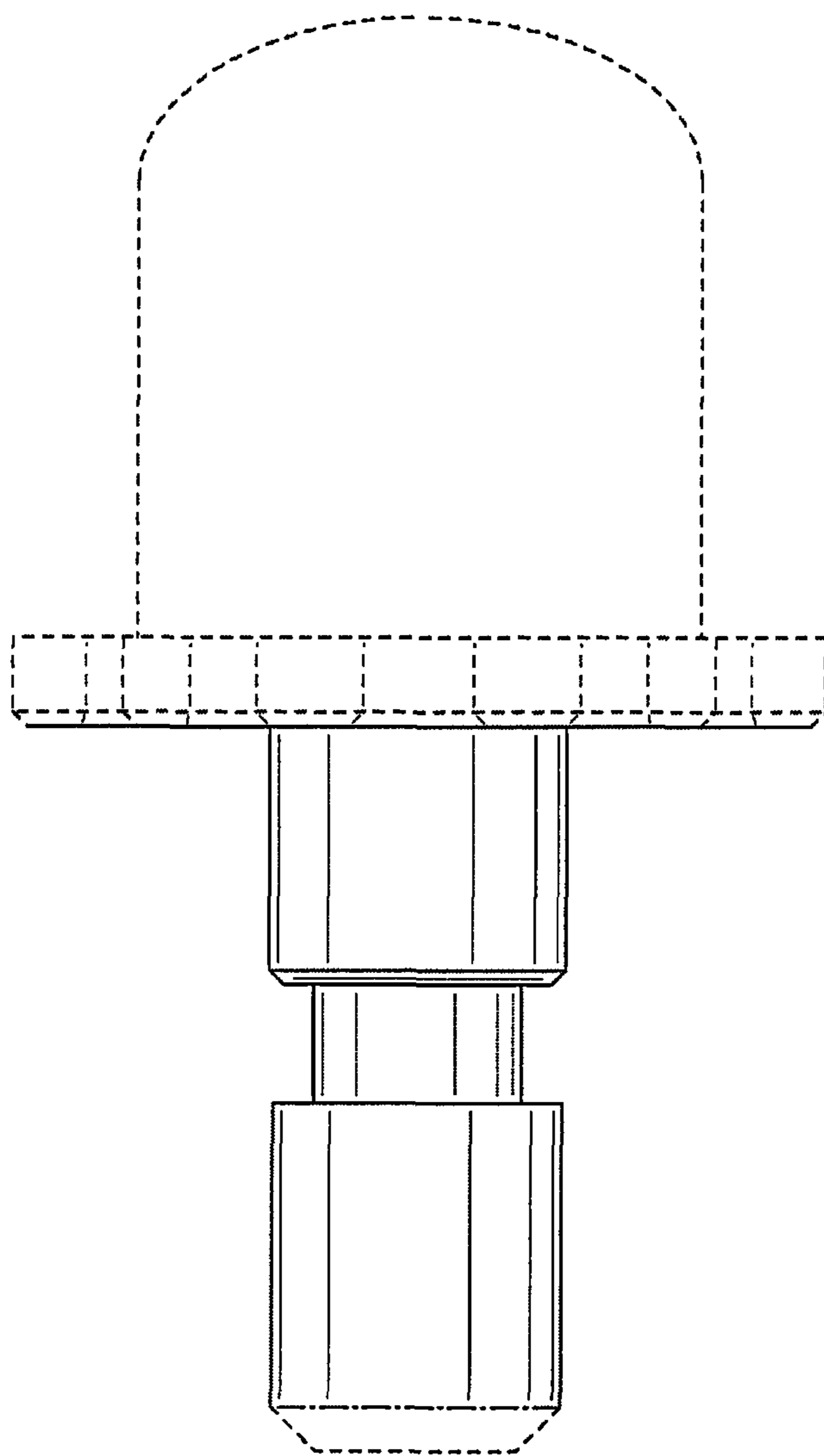


FIG. 6