



US00D739526S

(12) **United States Design Patent**
Chauvette

(10) **Patent No.:** **US D739,526 S**

(45) **Date of Patent:** **** Sep. 22, 2015**

(54) **CONNECTOR**

(71) Applicant: **ConMed Corporation**, Utica, NY (US)

(72) Inventor: **Guillaume Chauvette**, Victoriaville (CA)

(73) Assignee: **ConMed Corporation**, Utica, NY (US)

(**) Term: **14 Years**

(21) Appl. No.: **29/439,730**

(22) Filed: **Dec. 14, 2012**

(51) **LOC (10) Cl.** **24-01**

(52) **U.S. Cl.**
USPC **D24/129**

(58) **Field of Classification Search**
USPC D24/127-131, 112-114, 133, 186;
606/181, 185; 604/264, 272, 115, 232,
604/187, 158, 164.08, 192, 263, 163, 181,
604/184, 198, 227; 600/101, 139, 143;
128/200.24, 207.14, 207.15

See application file for complete search history.

(56) **References Cited**

U.S. PATENT DOCUMENTS

D303,710 S *	9/1989	Neill	D24/232
D372,960 S *	8/1996	Allmon et al.	D23/260
6,035,228 A	3/2000	Yanof et al.		
D430,293 S *	8/2000	Jansen	D24/129
D431,864 S *	10/2000	Jansen	D24/129
D435,652 S *	12/2000	Nazarifar et al.	D24/129
D593,674 S *	6/2009	Fedenia et al.	D24/108
D670,553 S *	11/2012	Mahaffey et al.	D8/343
D675,729 S *	2/2013	Wang	D24/108
D714,935 S *	10/2014	Nishioka et al.	D24/130
D717,948 S *	11/2014	Strong et al.	D24/130
2006/0287664 A1 *	12/2006	Grage, Jr. et al.	606/181
2008/0132897 A1	6/2008	Livorsi et al.		
2013/0247904 A1 *	9/2013	Porat	128/200.24
2013/0281942 A1 *	10/2013	Teucher et al.	604/241

FOREIGN PATENT DOCUMENTS

WO	9849944	11/1998
WO	0175318	10/2001
WO	2008040537	4/2008
WO	2008132897	6/2008
WO	2009023851	2/2009
WO	2011008828	1/2011

OTHER PUBLICATIONS

The AssistArm youtube video by GCS Medical Inc, Jun. 14, 2012, <https://www.youtube.com/watch?v=GpA9J9Opw38>.*

(Continued)

Primary Examiner — David Muller

Assistant Examiner — Nathan Johnston

(74) *Attorney, Agent, or Firm* — Heslin Rothenberg Farley & Mesiti P.C.

(57) **CLAIM**

The ornamental design for a connector, as shown and described.

DESCRIPTION

FIG. 1 is a perspective view taken from a top, front, left side of a connector;

FIG. 2 is a front elevation view thereof;

FIG. 3 is a rear elevation view thereof;

FIG. 4 is a left side elevation view thereof;

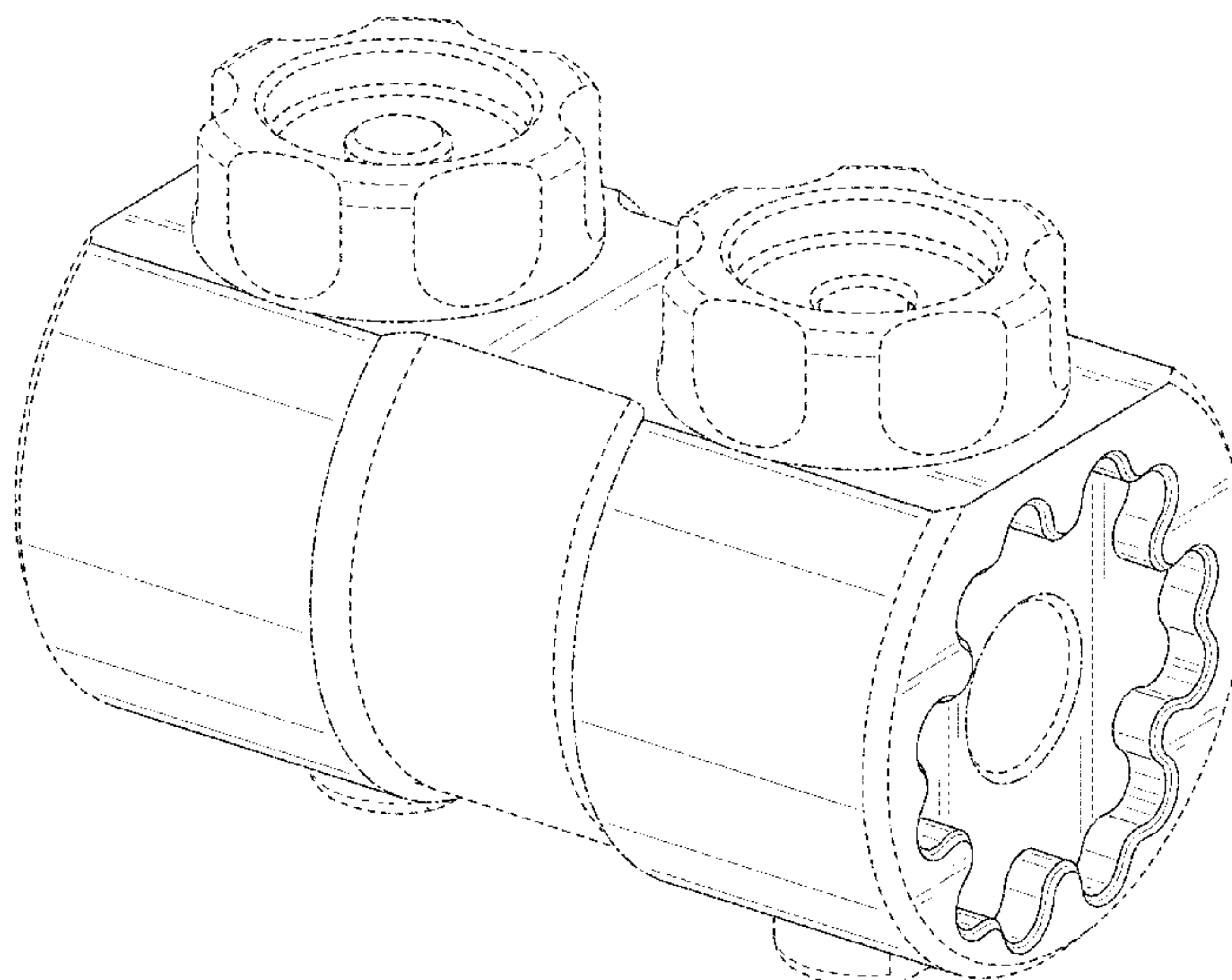
FIG. 5 is a right side elevation view thereof;

FIG. 6 is a top plan view thereof; and,

FIG. 7 is a bottom plan view thereof.

The dash dot lines immediately adjacent to the shaded areas in the views represent the boundaries of the claimed design. The dashed lines in the figures illustrate the portions of the design that form no part of the claimed design. None of the broken lines form any part of the claimed design.

1 Claim, 7 Drawing Sheets



(56)

References Cited

OTHER PUBLICATIONS

The AssistArm by GCS Medical, <http://www.gcs-medical.com/products>.*

Torx; <http://en.wikipedia.org/wiki/Torx>; Feb. 3, 2004.

Torx Plus; http://www.pemnet.com/design_info/torx.html; 2000.

Torx Plus Security; http://www.wihatools.com/700seri/716_ipr_serie.htm; 2007.

Triple Square; http://en.wikipedia.org/wiki/Triple_square; Triple_square; Jun. 3, 2010.

Polydrive; <http://en.wikipedia.org/wiki/Polydrive#Polydrive>; Jun. 3, 2010.

Splinedrive; http://en.wikipedia.org/wiki/Spline_drive#Spline; Jun. 4, 2010.

Bristol; http://en.wikipedia.org/wiki/Bristol_wrench#Bristol; Jun. 4, 2010.

Pentalobular; http://en.wikipedia.org/wiki/Pentalobular_screw#Pentalobular_screw; Jan. 20, 2011.

* cited by examiner

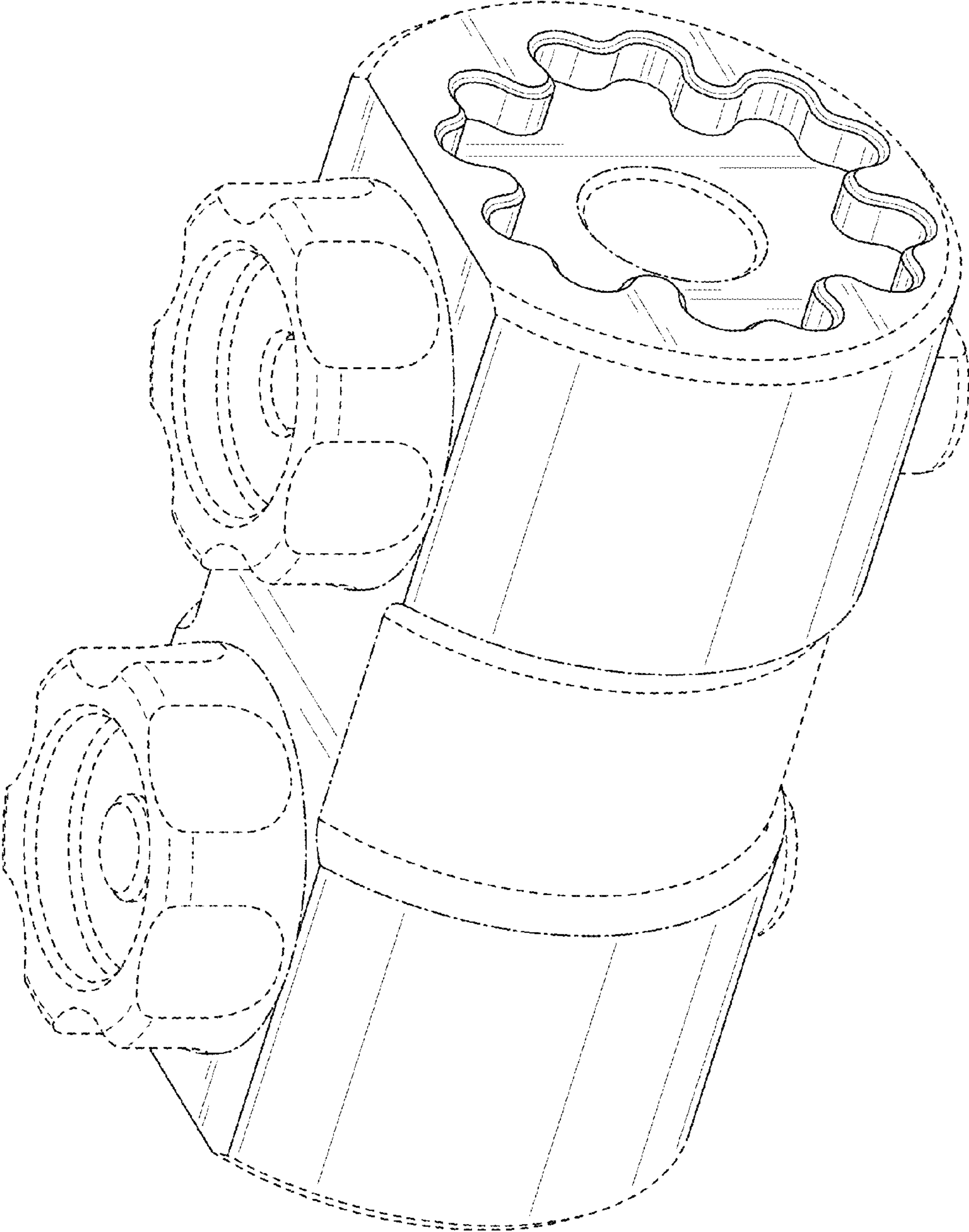


FIG. 1

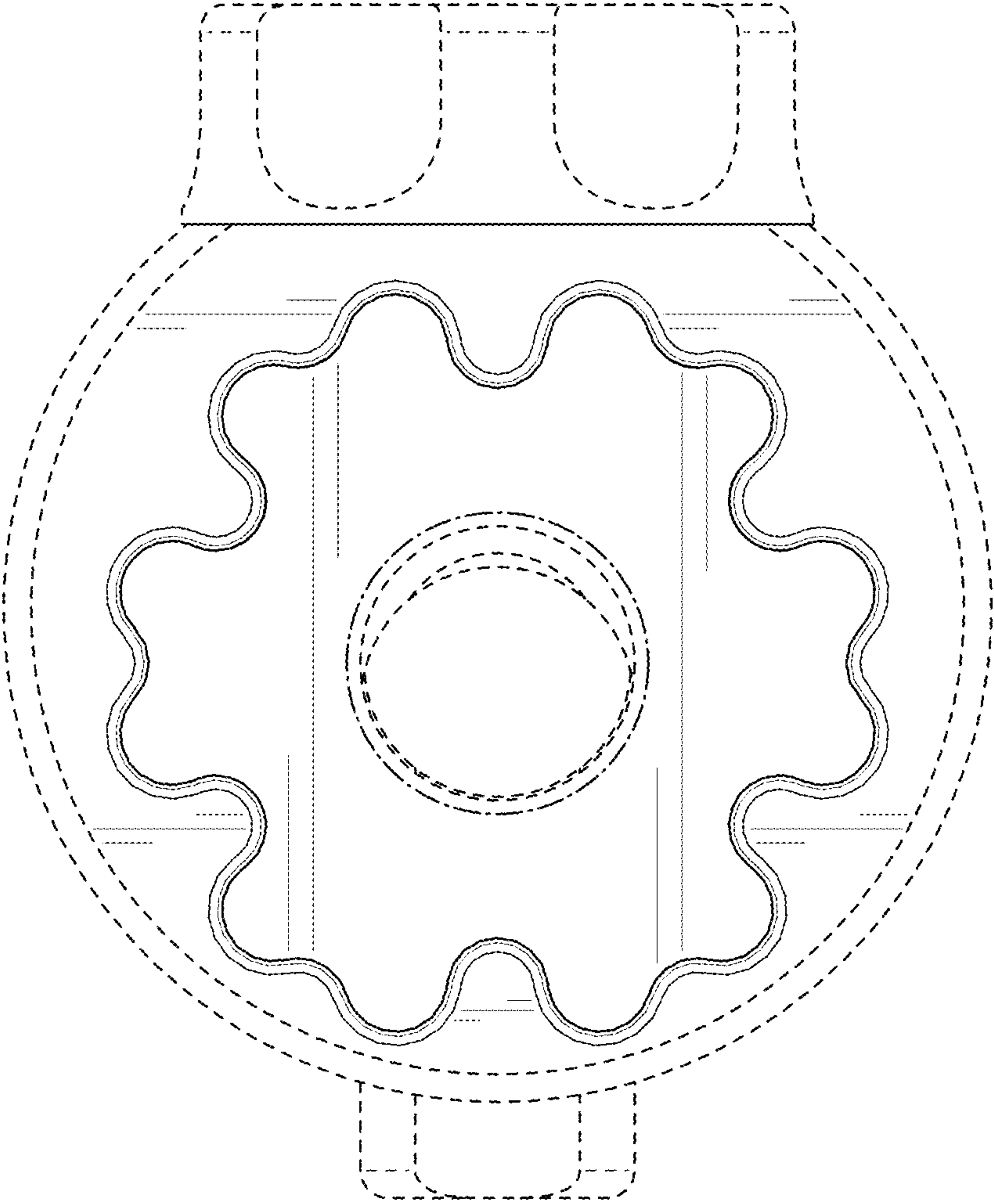


FIG. 2

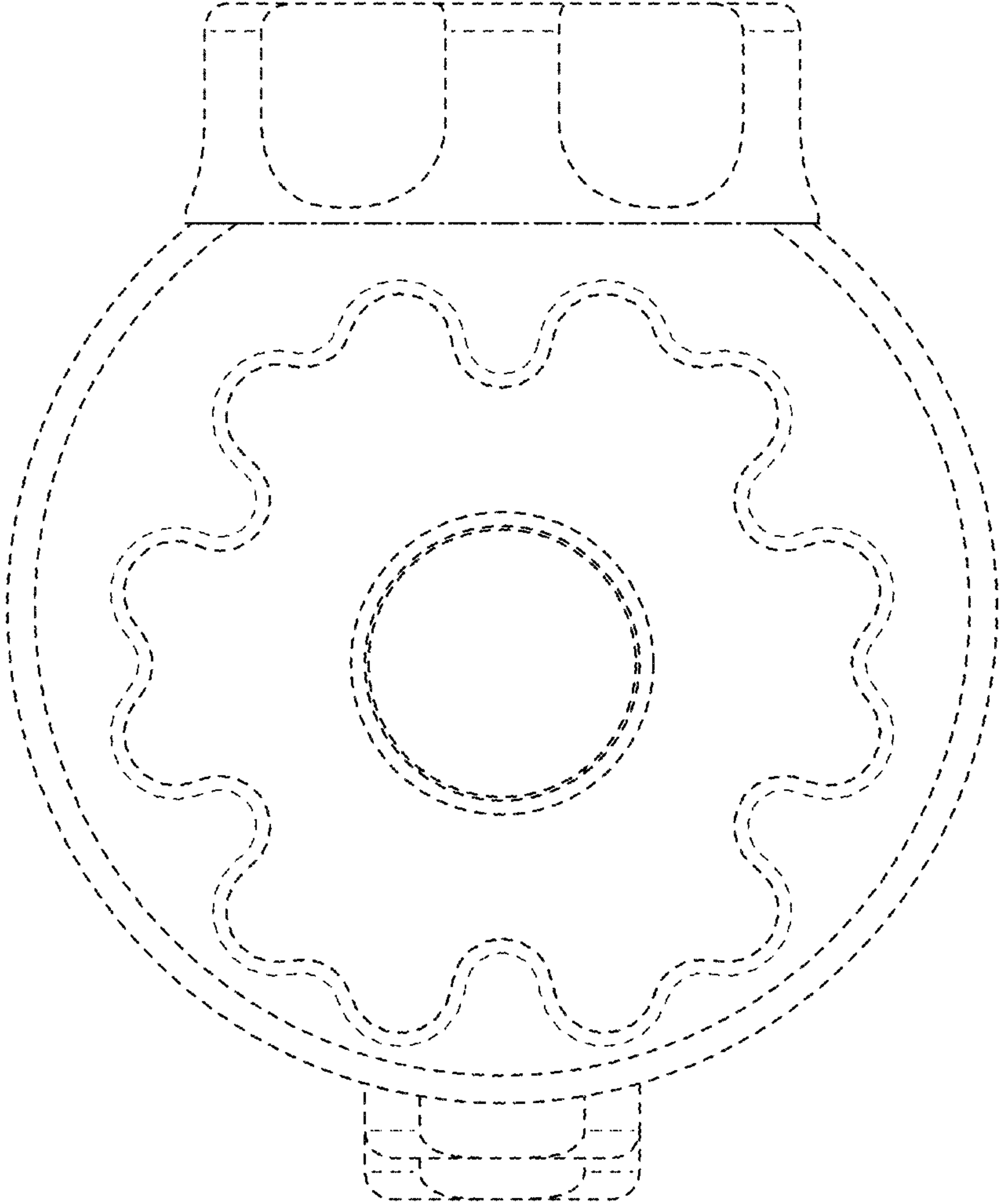


FIG. 3

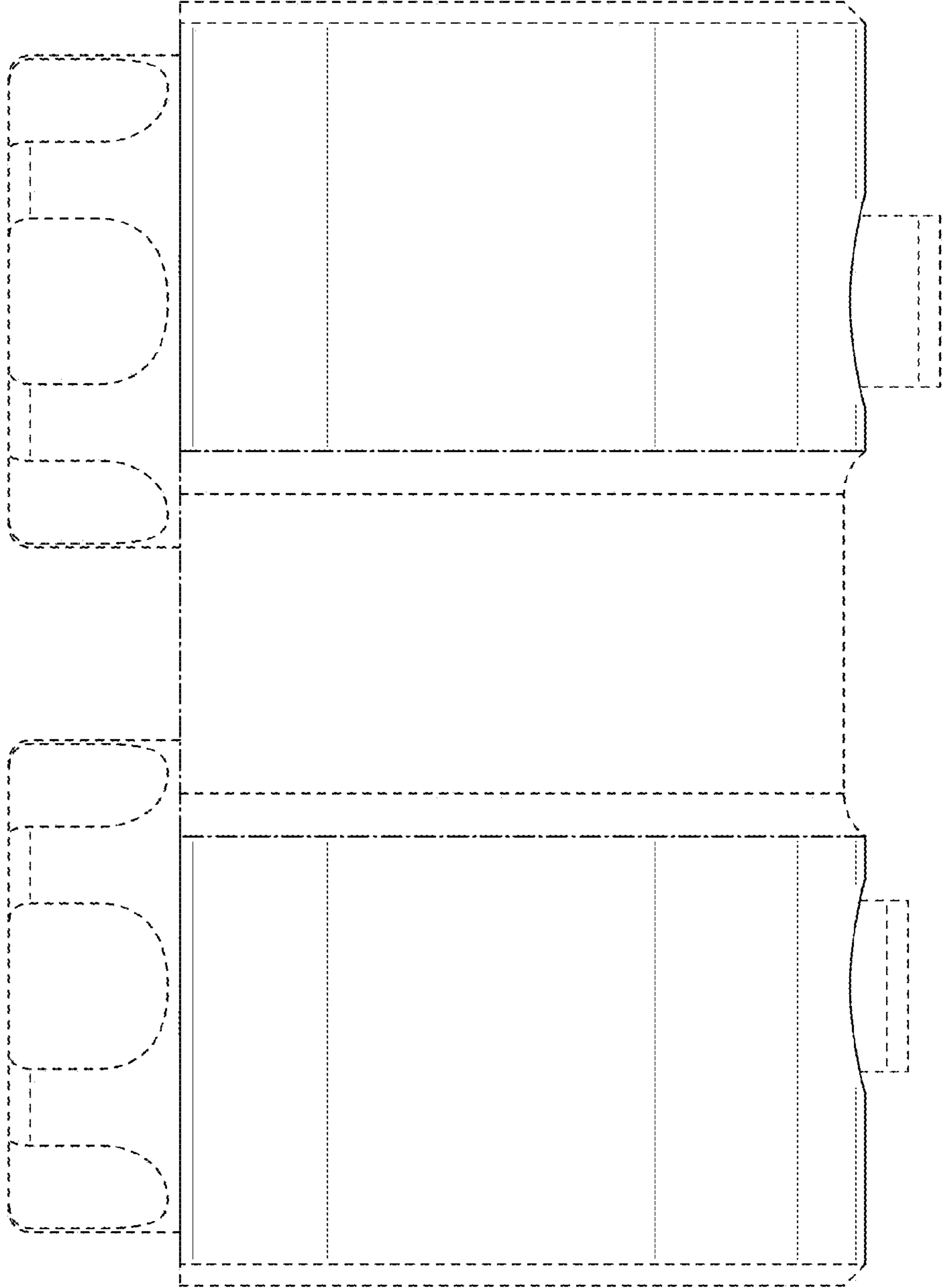


FIG. 4

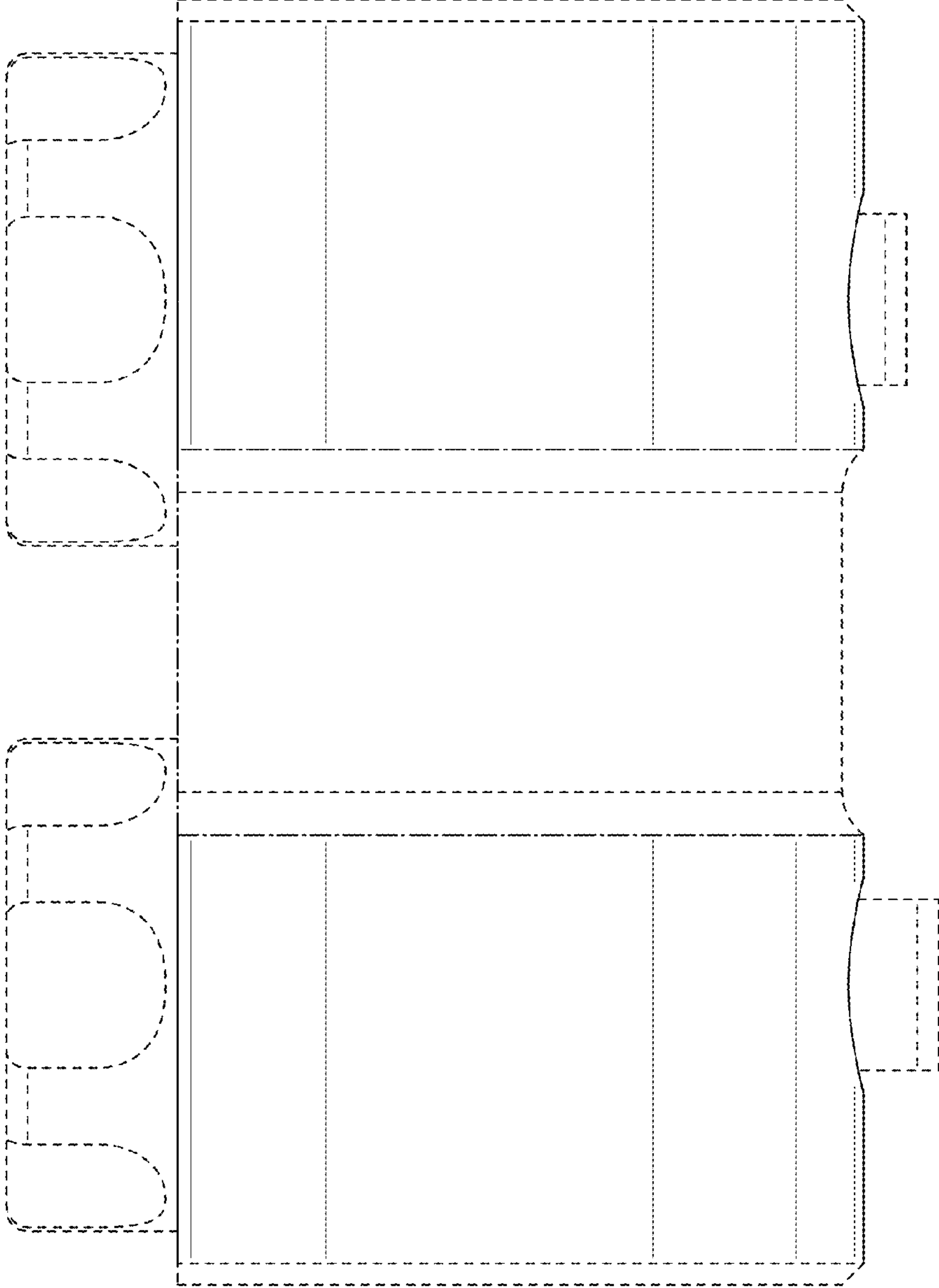


FIG. 5

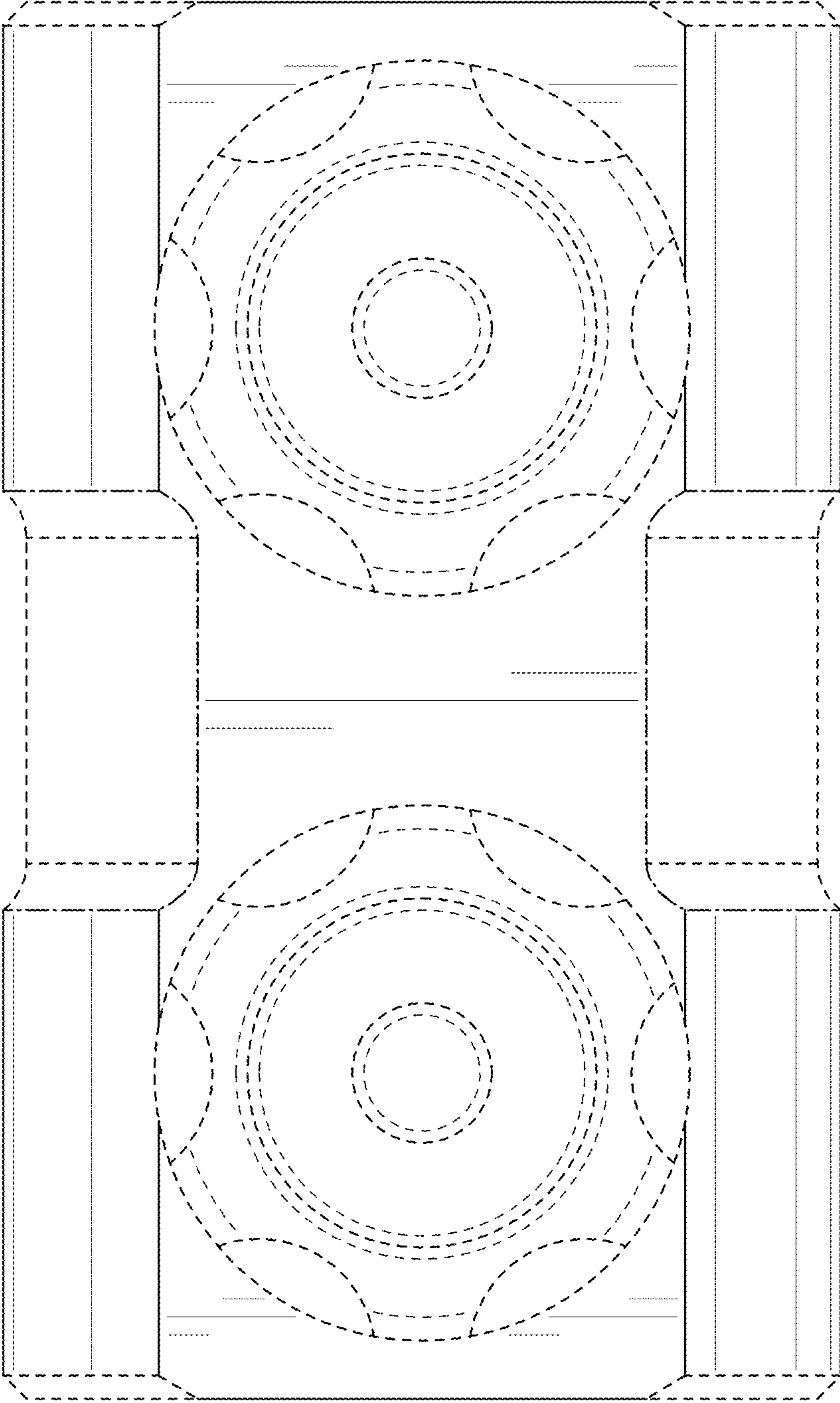


FIG. 6

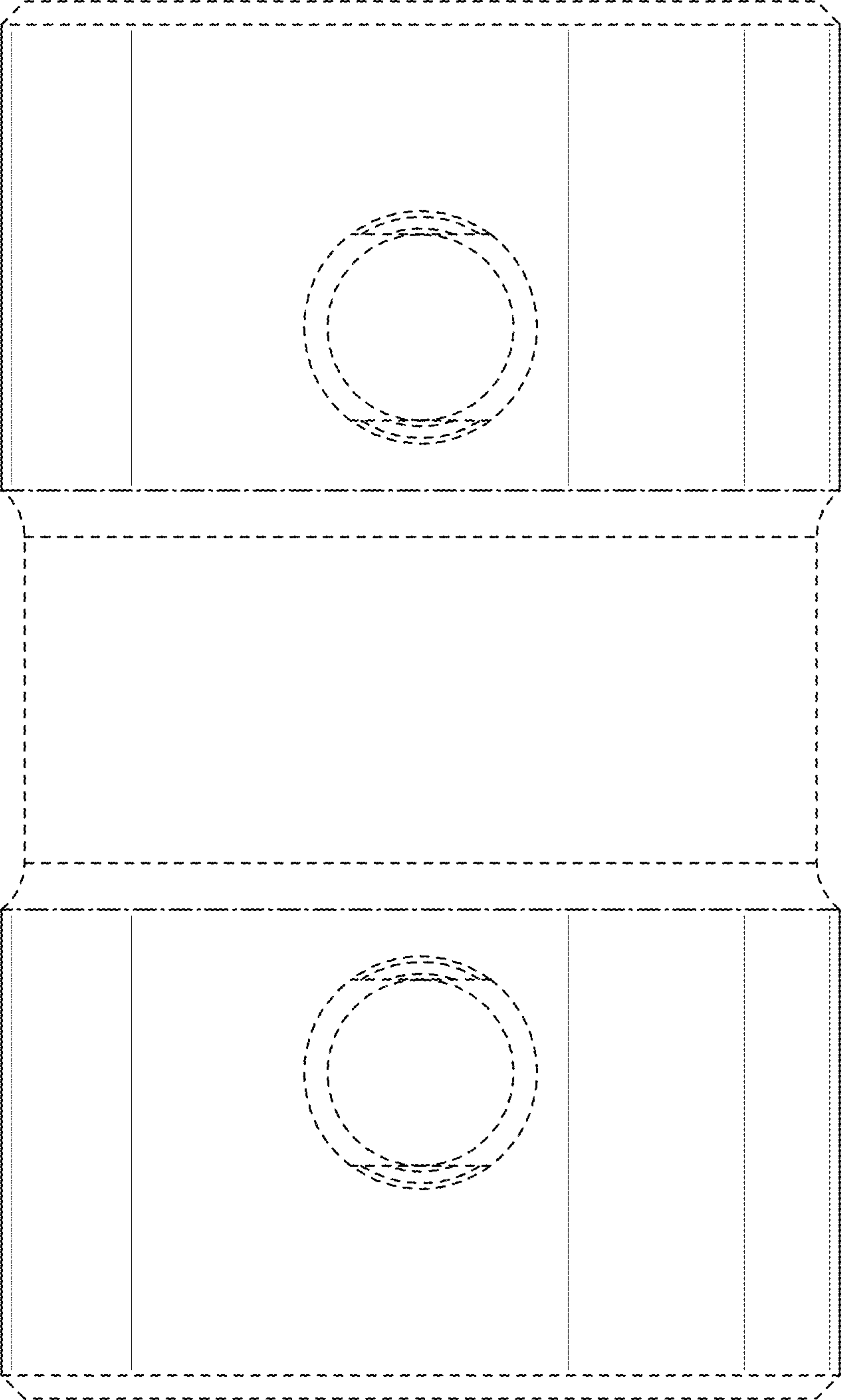


FIG. 7