



US00D739524S

(12) **United States Design Patent**
Zemel et al.

(10) **Patent No.:** **US D739,524 S**
(45) **Date of Patent:** **** Sep. 22, 2015**

(54) **INJECTOR**

(71) Applicant: **Ferrellgas Real Estate, Inc.**, Liberty, MO (US)

(72) Inventors: **Marc Zemel**, Old Bethpage, NY (US);
Adam Schillen, Dix Hills, NY (US)

(73) Assignee: **BLUE RHINO GLOBAL SOURCING, INC.**, Liberty, MO (US)

(**) Term: **14 Years**

(21) Appl. No.: **29/452,753**

(22) Filed: **Apr. 22, 2013**

(51) **LOC (10) Cl.** **24-02**

(52) **U.S. Cl.**
USPC **D24/114**; D7/669

(58) **Field of Classification Search**
USPC D24/112-114, 108, 133, 130, 127, 186;
606/181, 185; 604/264, 272, 187, 181,
604/184, 227; D7/368, 669, 665; 99/345,
99/346, 347, 532, 359, 533, 494, 535
CPC A61M 5/31596; A61M 2005/1787;
A61M 2005/31508; A61M 5/31511; A61M
2005/3121; A61M 2005/31598; A61M
2005/3123

See application file for complete search history.

(56) **References Cited**

U.S. PATENT DOCUMENTS

2,047,512 A * 7/1936 Kauffman 604/227
2,540,445 A * 2/1951 Harley 604/88
D174,985 S * 6/1955 Fields D24/114
4,216,771 A * 8/1980 Arlers et al. 604/229
D263,271 S * 3/1982 Kalb D7/669
D335,344 S * 5/1993 Hastings D24/114
D338,957 S * 8/1993 de Faire et al. D24/130

D440,128 S 4/2001 Zemel
D467,134 S 12/2002 Margolin
6,527,751 B2 * 3/2003 Fischer et al. 604/218
D543,419 S 5/2007 Zemel
D627,877 S * 11/2010 Schmelling et al. D24/114
8,034,034 B2 * 10/2011 Hess et al. 604/226
D674,086 S * 1/2013 Khalaj D24/114
D690,007 S * 9/2013 Ingram et al. D24/130
2006/0195063 A1 * 8/2006 Lim et al. 604/110

OTHER PUBLICATIONS

Good Cook, Flavor Injector, Nov. 17, 2012, <http://www.goodcook.com/kitchen-gadgets/meat,-poultry-&-seafood-tools/meat-&-poultry-tools/flavor-injector-p-166.html>.*

* cited by examiner

Primary Examiner — David Muller

Assistant Examiner — Nathan Johnston

(74) *Attorney, Agent, or Firm* — Carter, DeLuca, Farrell & Schmidt, LLP

(57) **CLAIM**

The ornamental design for an injector, as shown and described.

DESCRIPTION

FIG. 1 is a perspective view of an injector in accordance with the present design, illustrating the plunger portion in a drawn back position;

FIG. 2 is a right side elevational view thereof, the left side elevational view being a mirror image thereof;

FIG. 3 is a top plan view thereof;

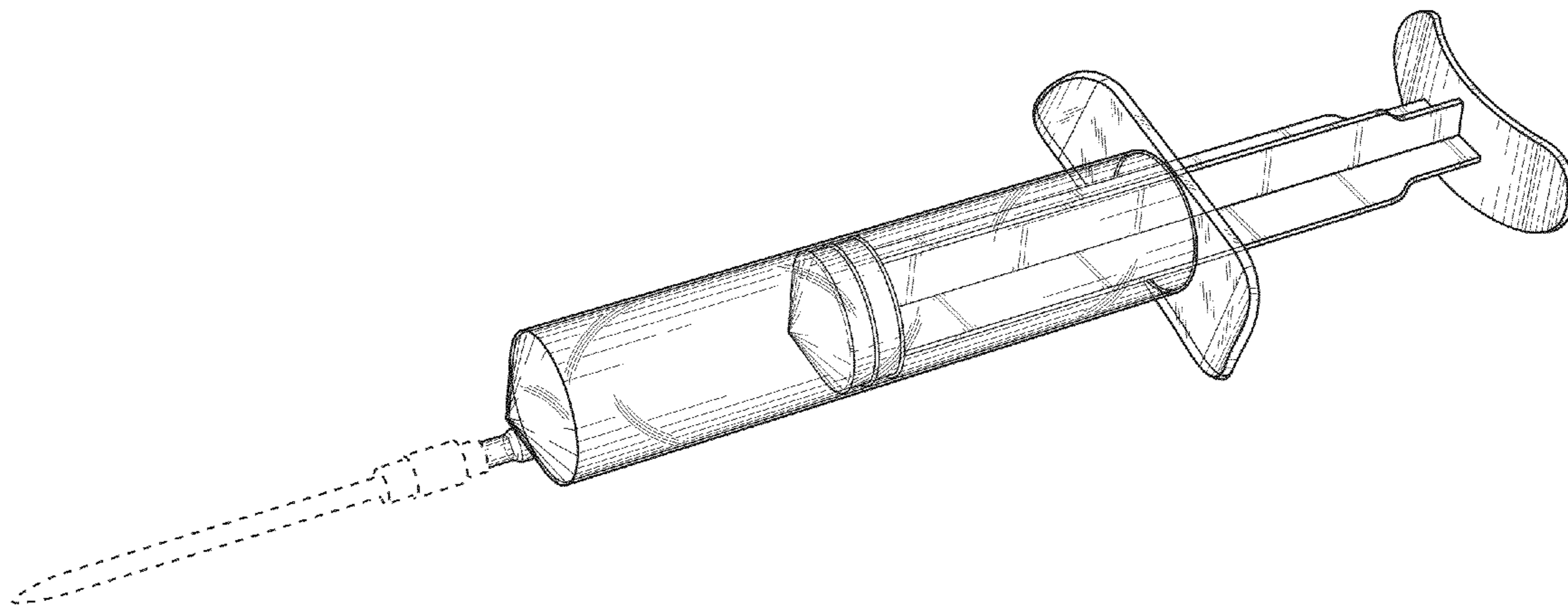
FIG. 4 is a bottom plan view thereof;

FIG. 5 is a front side elevational view thereof; and,

FIG. 6 is a rear side elevational view thereof.

The broken lines shown in the drawings illustrate portions of the injector that form no part of the claimed design.

1 Claim, 4 Drawing Sheets



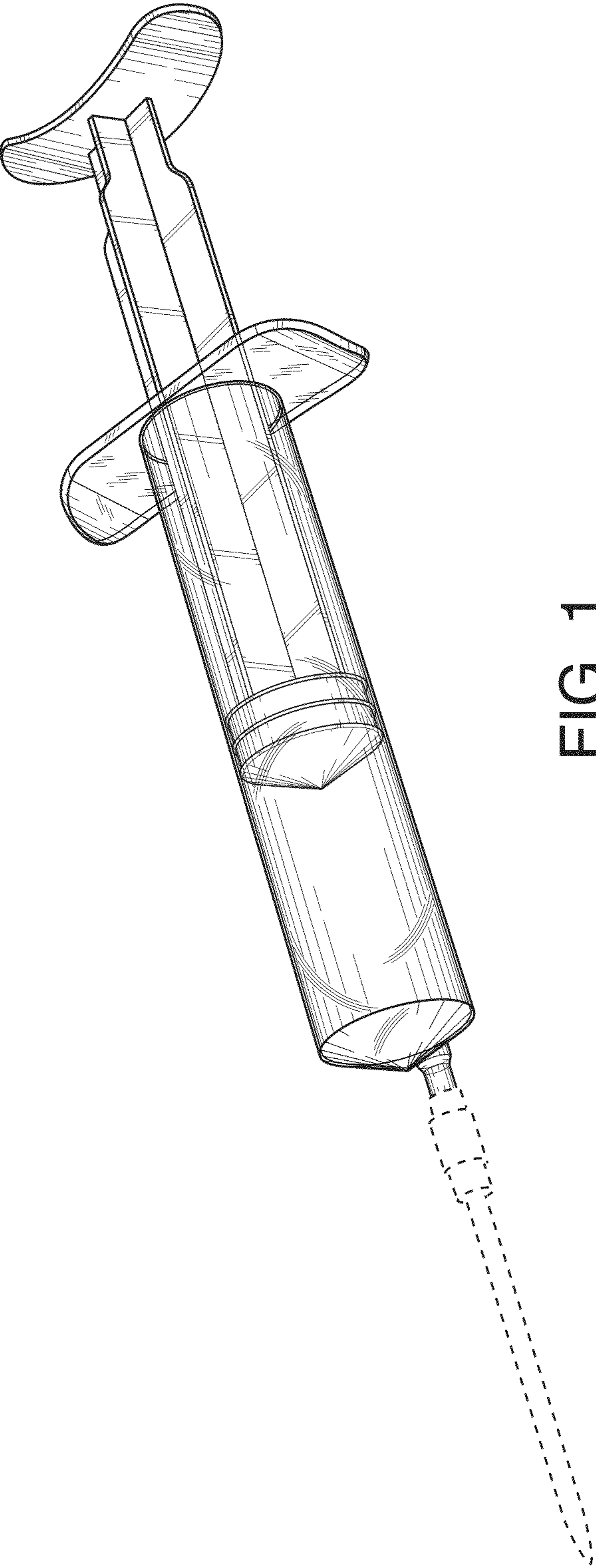


FIG. 1

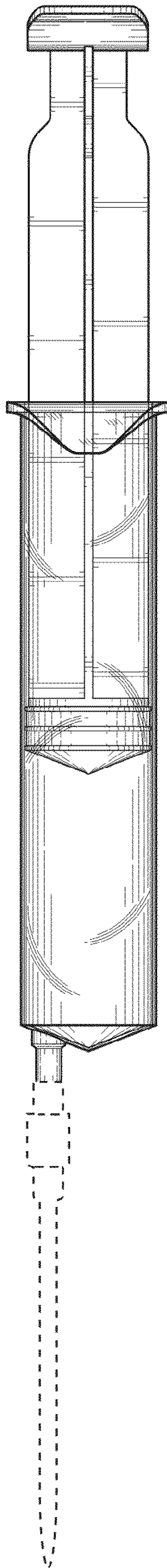


FIG. 2

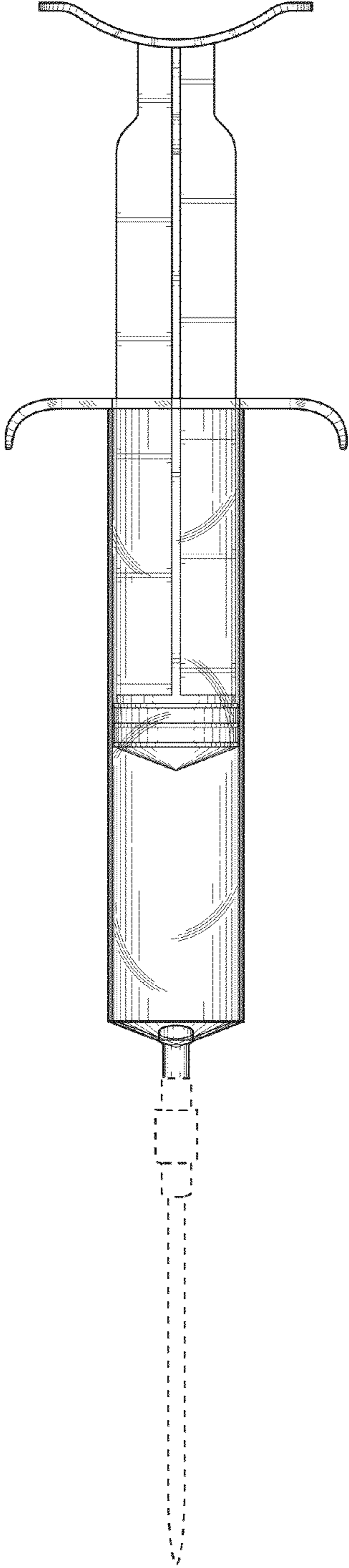


FIG. 3

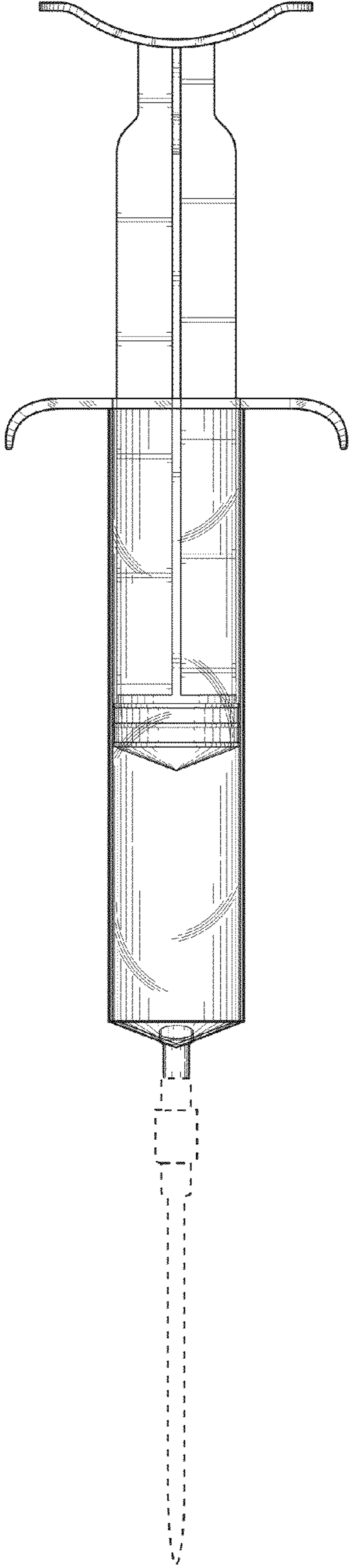


FIG. 4

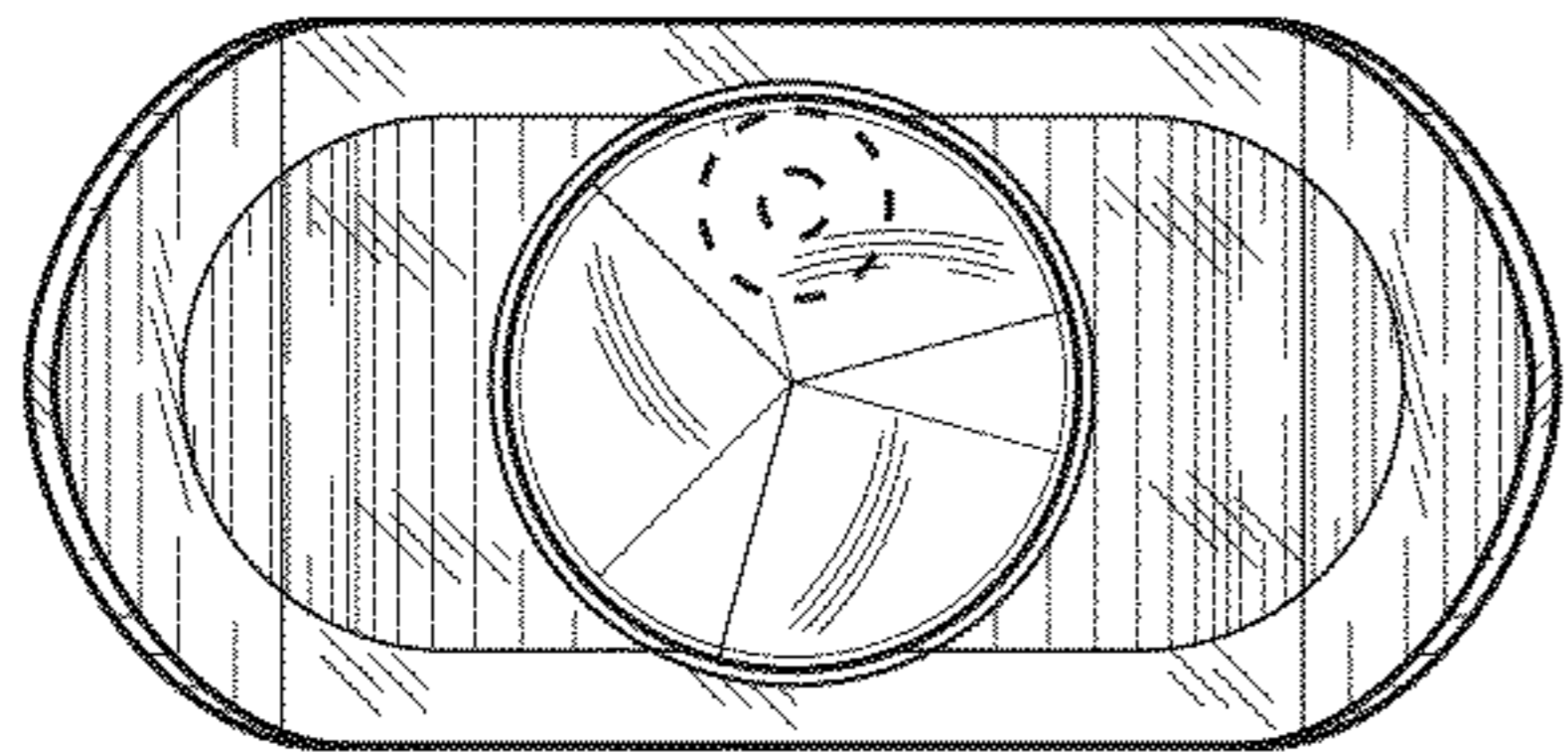


FIG. 5

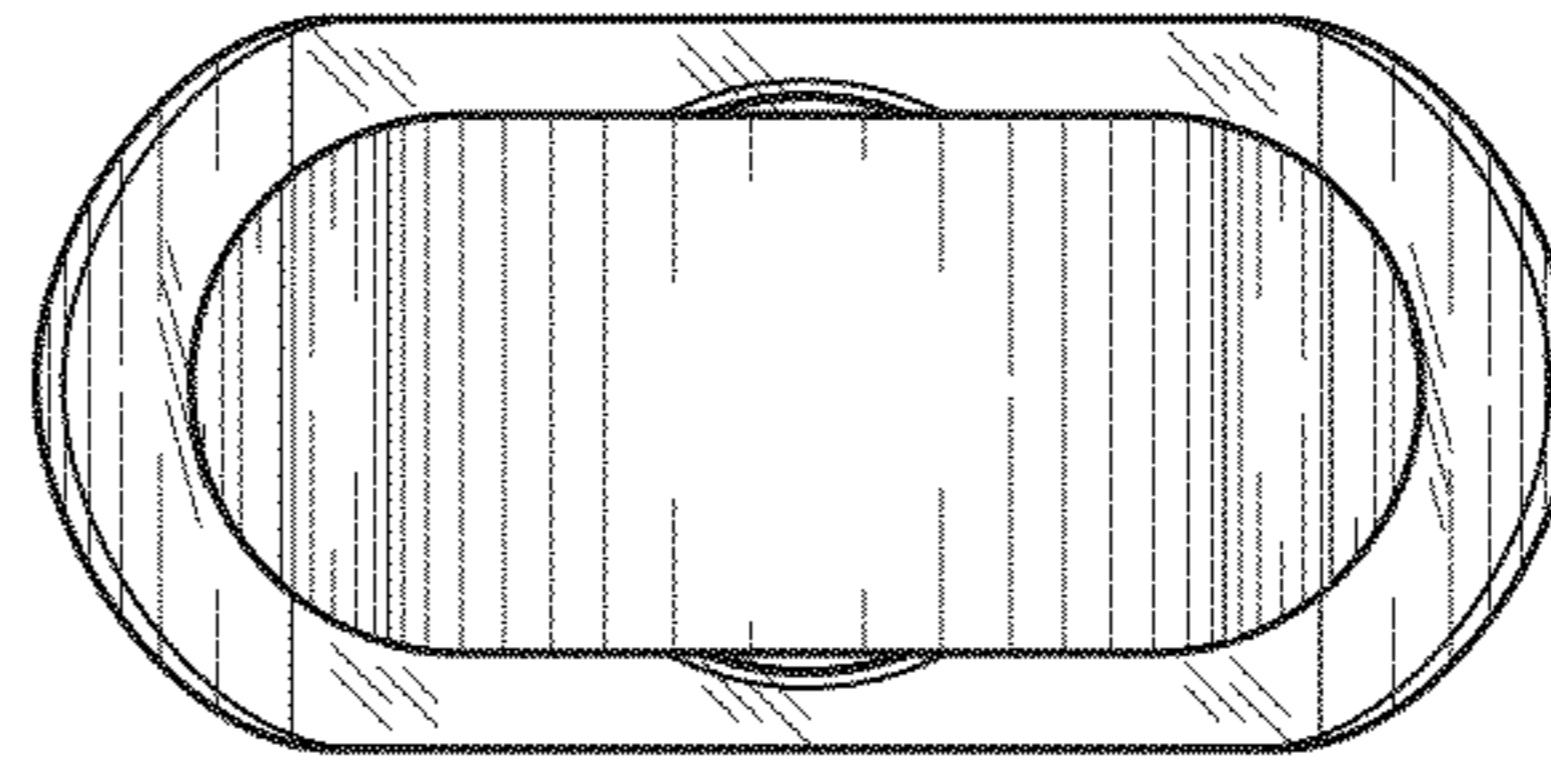


FIG. 6