



US00D739523S

(12) **United States Design Patent**
Booth

(10) **Patent No.:** **US D739,523 S**
(45) **Date of Patent:** **** Sep. 22, 2015**

(54) **RESPIRATORY EQUIPMENT**

(71) Applicant: **Intersurgical AG**, Vaduz (LI)

(72) Inventor: **Christopher Edgerley Booth**,
Wokingham (GB)

(73) Assignee: **Intersurgical AG**, Vaduz (LI)

(**) Term: **14 Years**

(21) Appl. No.: **29/480,998**

(22) Filed: **Jan. 31, 2014**

(30) **Foreign Application Priority Data**

Jul. 31, 2013 (EP) 002284414

(51) **LOC (10) Cl.** **29-02**

(52) **U.S. Cl.**
USPC **D24/110**

(58) **Field of Classification Search**
USPC D24/110; 128/209, 210, 203.15,
128/203.12, 203.18, 203.19,
128/203.21-203.24; 137/271, 556.6, 604,
137/556.3; 222/390, 368, 321; 417/178,
417/196, 198; 431/13, 17, 114, 156, 354,
431/355

See application file for complete search history.

(56) **References Cited**

U.S. PATENT DOCUMENTS

3,913,607	A *	10/1975	Price	137/271
4,612,926	A *	9/1986	Boiarski et al.	128/200.21
4,848,333	A *	7/1989	Waite	128/205.11
RE33,642	E *	7/1991	Lester	128/200.21
5,584,285	A *	12/1996	Salter et al.	128/200.21
5,687,710	A *	11/1997	Ambrosio et al.	128/203.15
5,740,792	A *	4/1998	Ashley et al.	128/203.15
5,829,434	A *	11/1998	Ambrosio et al.	128/203.15

(Continued)

FOREIGN PATENT DOCUMENTS

GB	2 344 055	A	5/2000
GB	2 407 043	A	4/2005

OTHER PUBLICATIONS

Photograph, MKI Hudson Adjustable Breathing Apparatus, Manufacturer Hudson USA, first marketed pre 1990.

(Continued)

Primary Examiner — Wan Laymon

Assistant Examiner — Mark Booker

(74) *Attorney, Agent, or Firm* — LeClairRyan, a Professional Corporation

(57) **CLAIM**

The ornamental design for respiratory equipment, as shown and described.

DESCRIPTION

FIG. 1 is a front view of a first embodiment of respiratory equipment.

FIG. 2 is a rear view of the respiratory equipment shown in FIG. 1.

FIG. 3 is a left side view of the respiratory equipment shown in FIG. 1.

FIG. 4 is a right side view of the respiratory equipment shown in FIG. 1.

FIG. 5 is a top view of the respiratory equipment shown in FIG. 1.

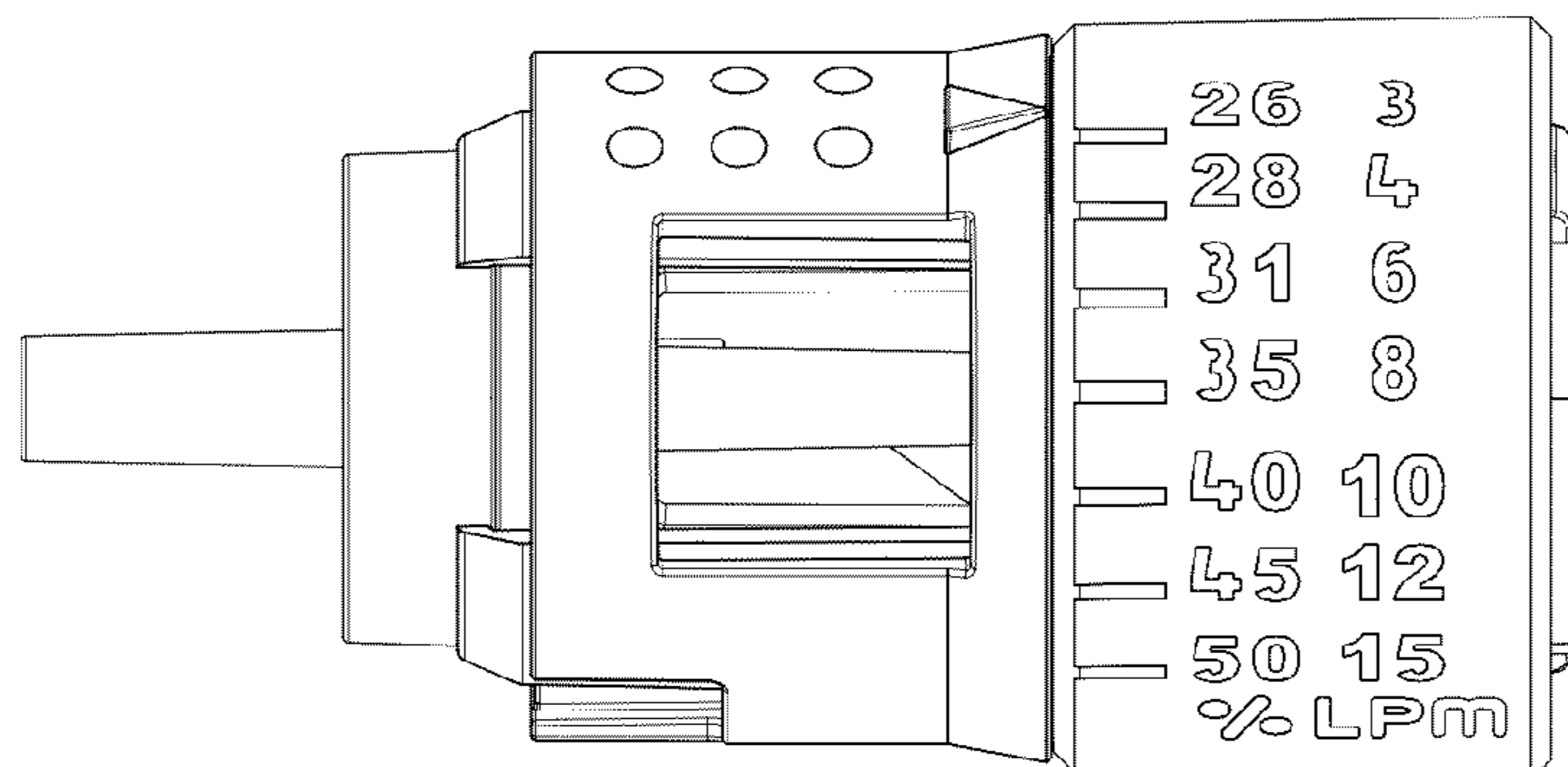
FIG. 6 is a bottom view of the respiratory equipment shown in FIG. 1.

FIG. 7 is a right side perspective view of the respiratory equipment shown in FIG. 1; and,

FIG. 8 is a left side perspective view of the respiratory equipment shown in FIG. 1.

The designations of the views below as top, bottom, right side, left side, front, and rear are for ease of discussion only and are not intended to limit the respiratory equipment to one particular orientation. The respiratory equipment can be oriented in other directions which would alter these designations. The views are not necessarily shown in the same scale, and any change in scale between different views is not intended to limit the respiratory equipment to a particular size.

1 Claim, 8 Drawing Sheets



(56)

References Cited

U.S. PATENT DOCUMENTS

D447,561 S * 9/2001 Rudzena et al. D24/121
D481,946 S * 11/2003 Nicholson et al. D9/436
7,900,625 B2 * 3/2011 Kleinstreuer et al. ... 128/203.23
7,954,487 B2 * 6/2011 Grychowski et al. 128/200.21
8,479,725 B2 * 7/2013 Hausmann et al. 128/200.14
D707,555 S * 6/2014 Vogel et al. D9/436
2003/0015195 A1 * 1/2003 Haaije de Boer
et al. 128/203.15
2004/0099628 A1 * 5/2004 Casterlin 215/228
2005/0252509 A1 * 11/2005 Rustad et al. 128/203.12
2007/0151562 A1 * 7/2007 Jones et al. 128/203.21

2008/0083407 A1 * 4/2008 Grychowski et al. 128/200.22
2010/0108058 A1 * 5/2010 Glusker et al. 128/200.14
2012/0000461 A1 * 1/2012 Grychowski et al. 128/200.21
2014/0373831 A1 * 12/2014 Culbertson et al. 128/200.21

OTHER PUBLICATIONS

Photograph, Percent-O2-Lock Breathing Apparatus, Manufacturer
Salter Labs, first marketed approximately 1992.
Photograph, Breathing Apparatus, Manufacturer Carbueros Metalicos
Spain, first marketed approximately 1993.
Photograph, Breathing Apparatus, Manufacturer Unknown Spanish
origin, first marketed approximately 1997.

* cited by examiner

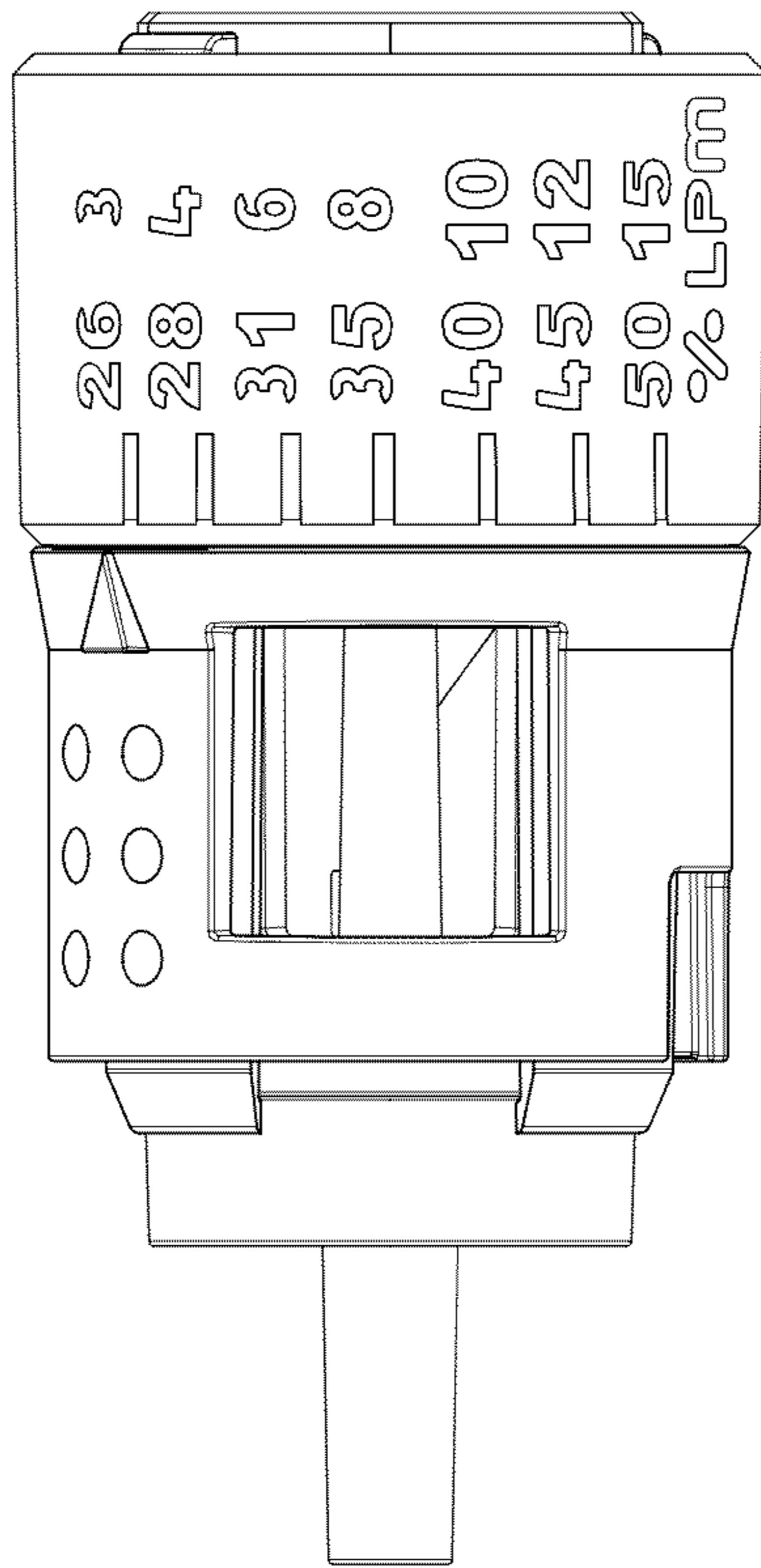


FIG. 1

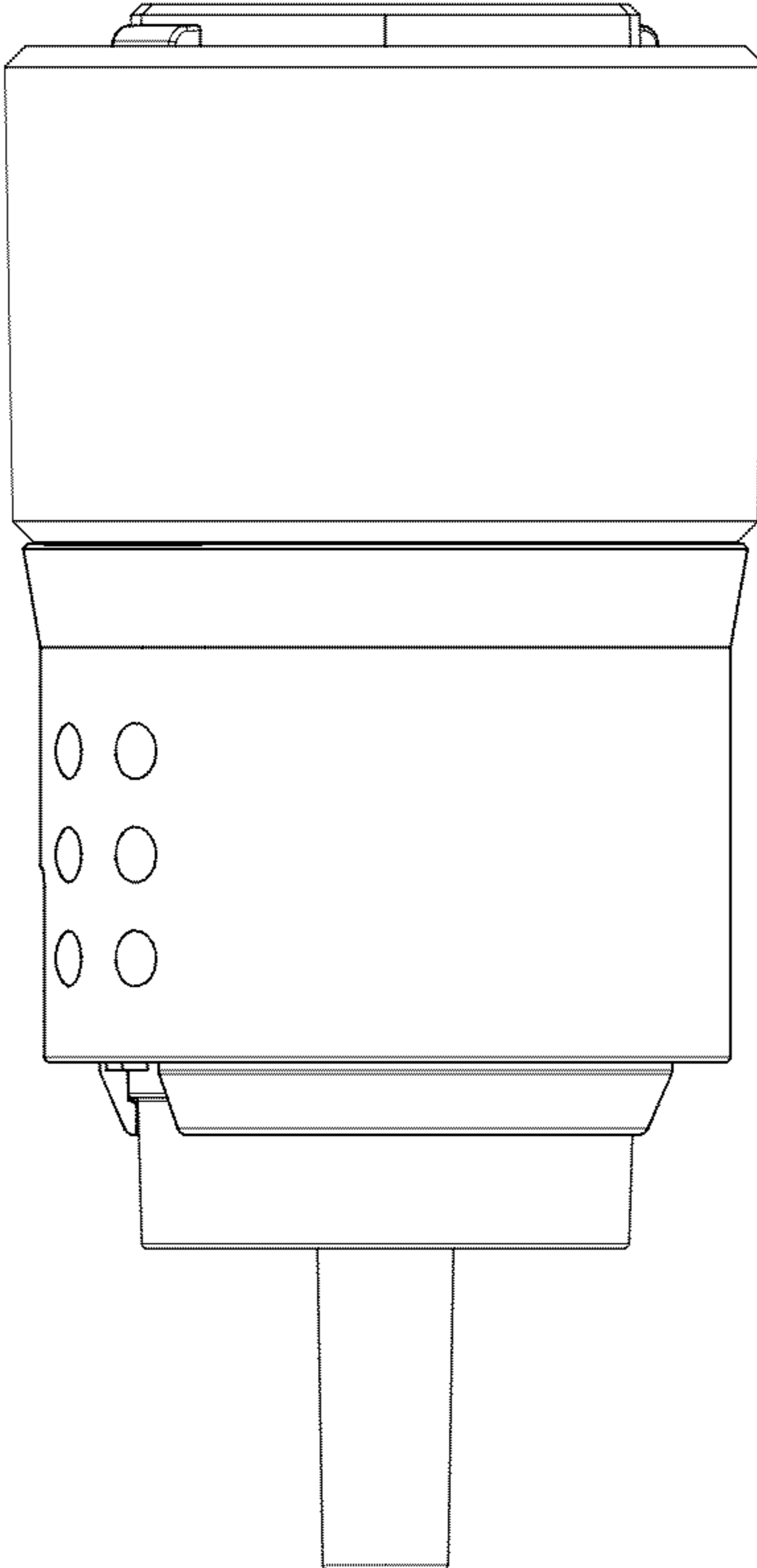


FIG. 2

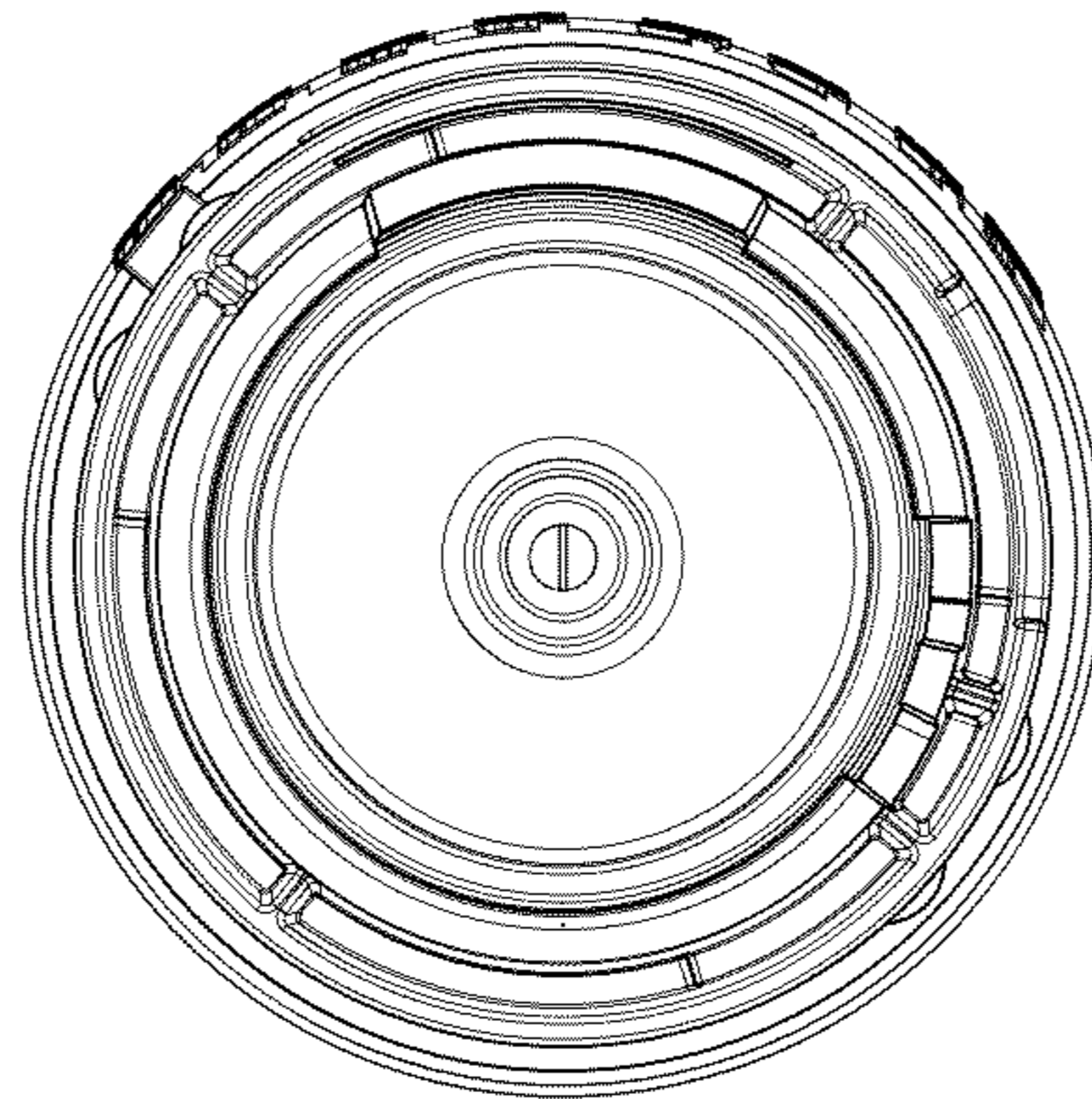


FIG. 3

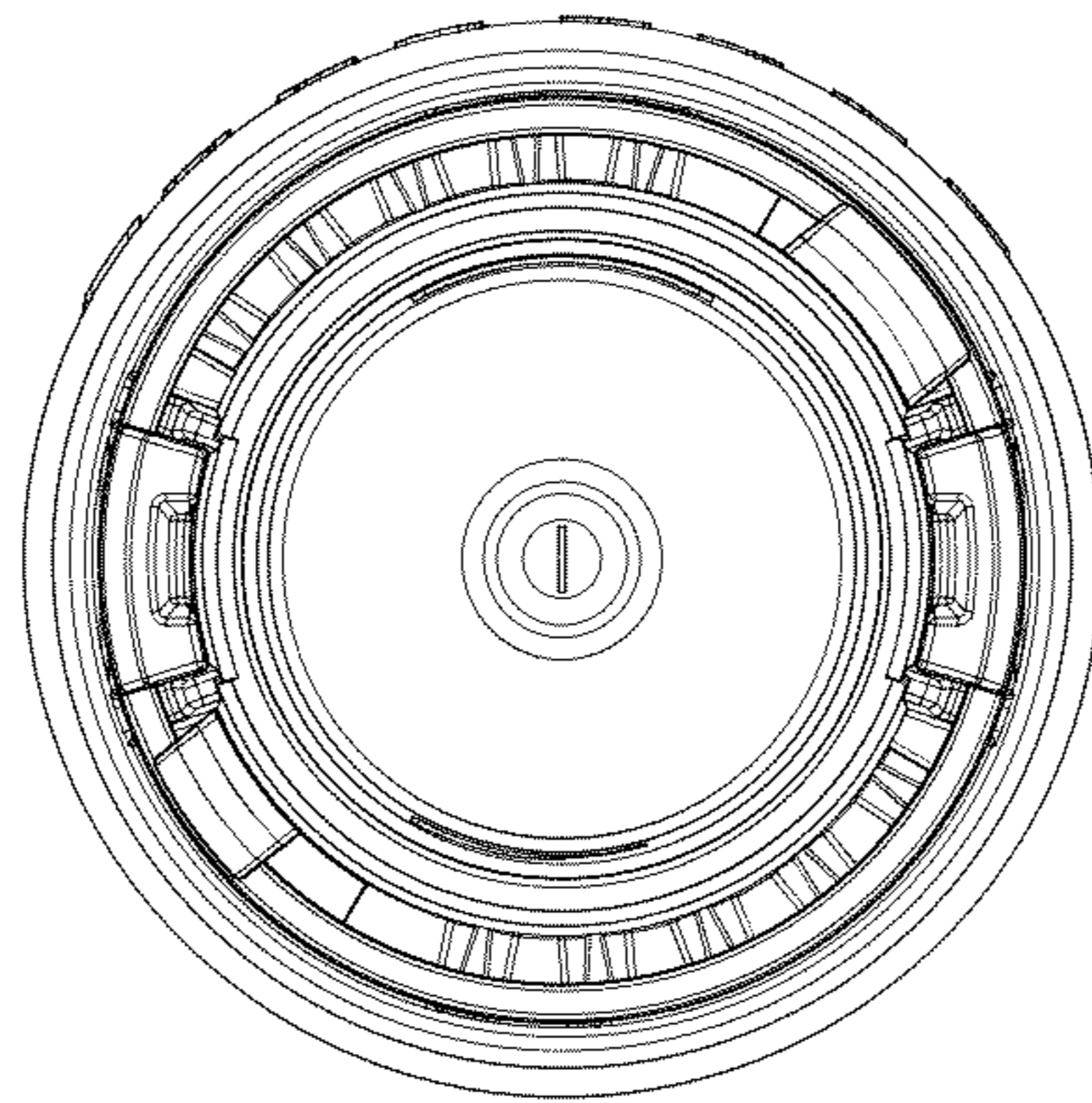


FIG. 4

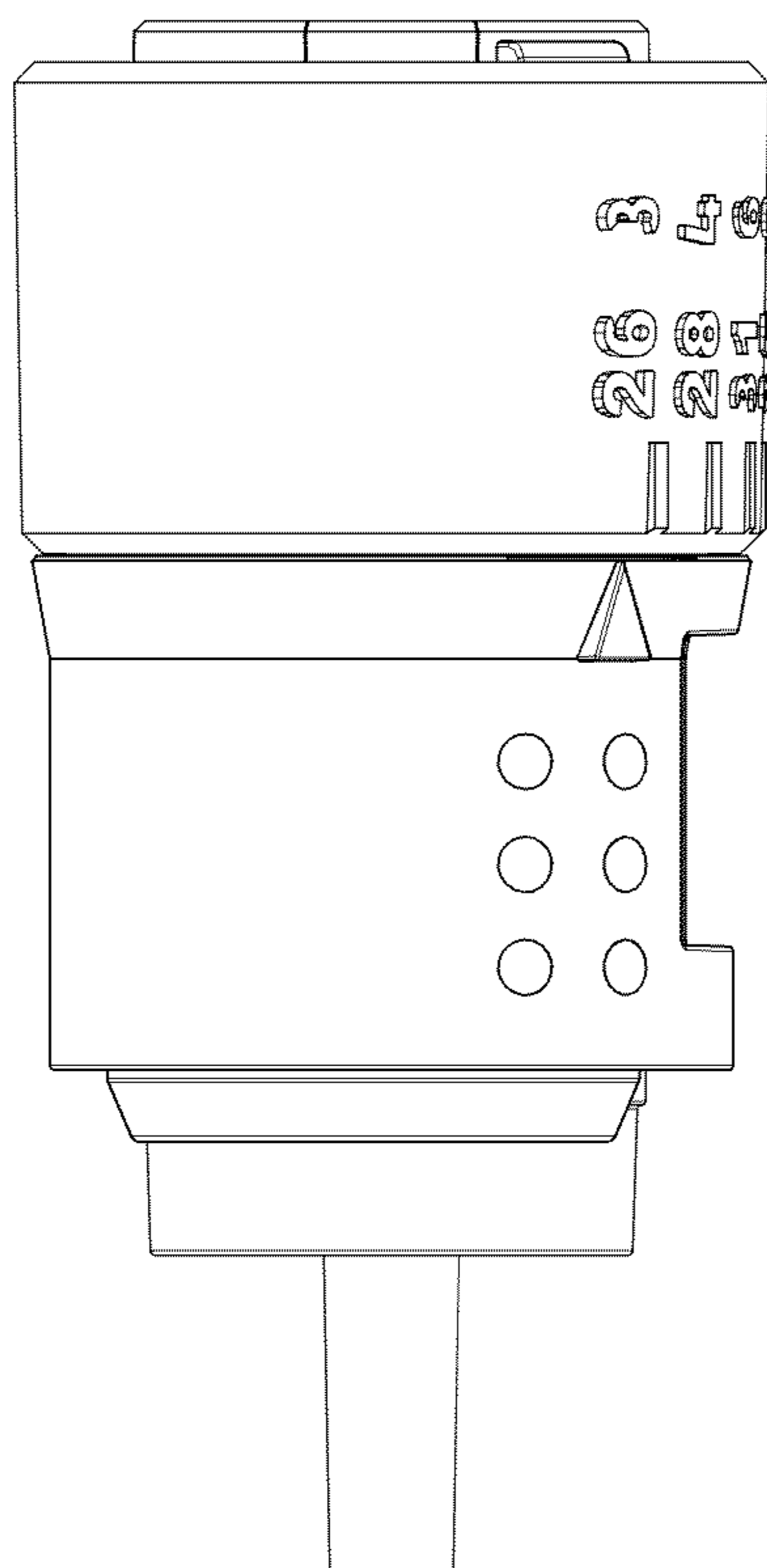


FIG. 5

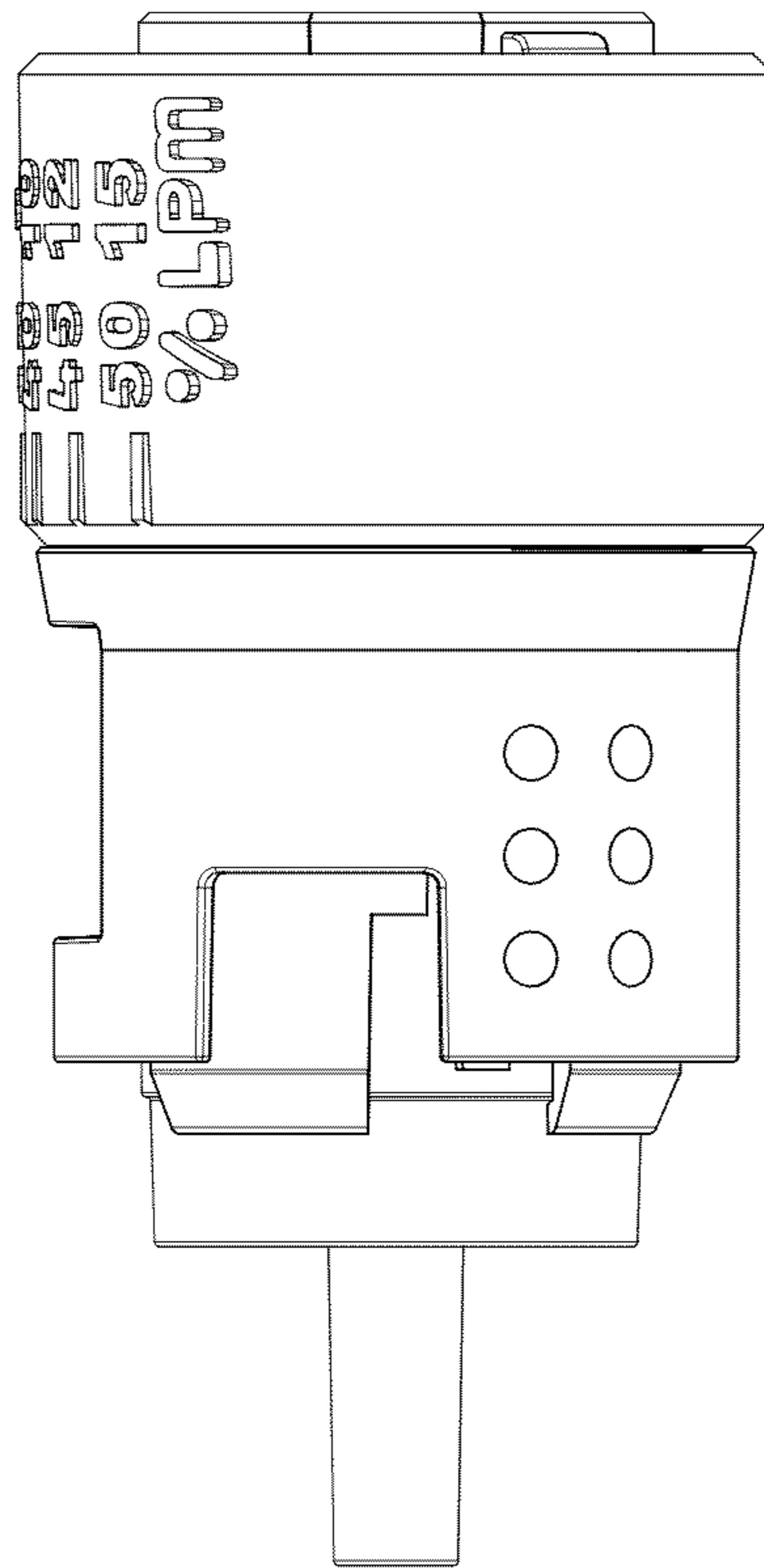


FIG. 6

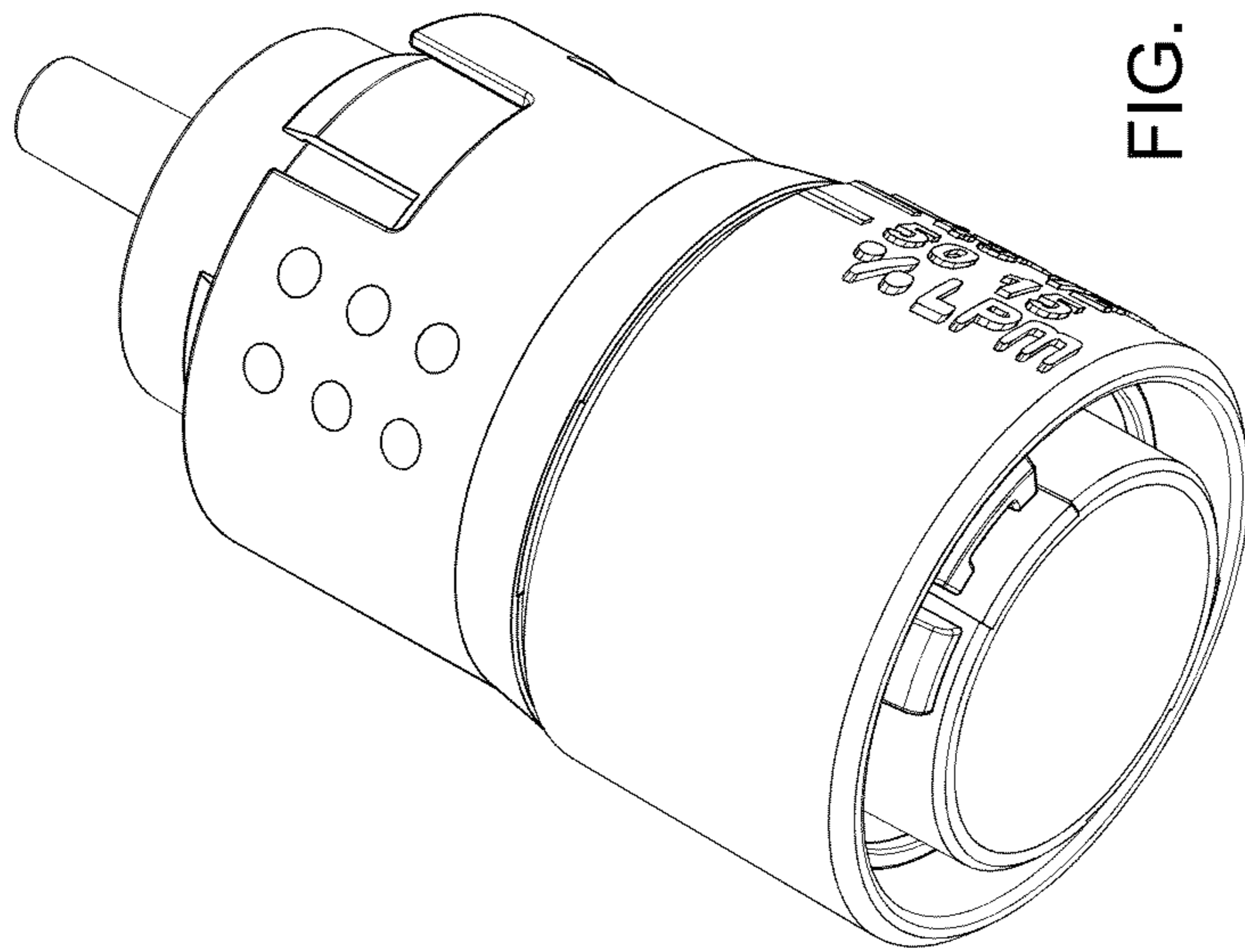


FIG. 7

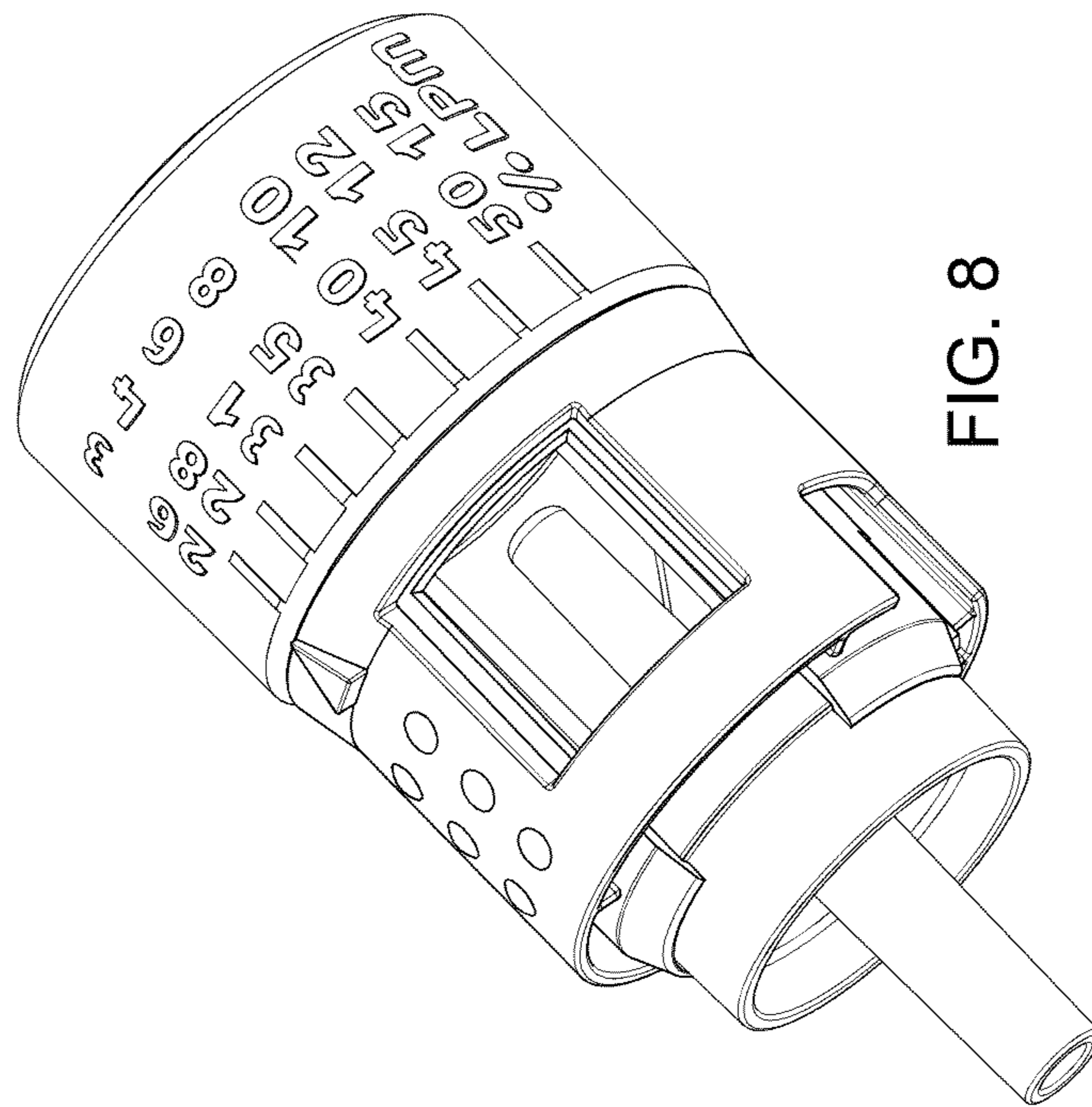


FIG. 8