



US00D739522S

(12) **United States Design Patent**
Von Schuckmann

(10) **Patent No.:** **US D739,522 S**

(45) **Date of Patent:** **** Sep. 22, 2015**

(54) **INHALER**

(71) Applicant: **Alfred Von Schuckmann, Kevelaer**
(DE)

(72) Inventor: **Alfred Von Schuckmann, Kevelaer**
(DE)

(73) Assignee: **Lupin Atlantis Holdings SA,**
Schaffhausen (CH)

(**) Term: **14 Years**

(21) Appl. No.: **29/475,774**

(22) Filed: **Dec. 6, 2013**

(30) **Foreign Application Priority Data**

Jun. 6, 2013	(EP)	001373658-0001
Jun. 6, 2013	(EP)	001373658-0002
Jun. 6, 2013	(EP)	001373658-0003
Jun. 6, 2013	(EP)	001373658-0004
Jun. 6, 2013	(EP)	001373658-0005
Jun. 6, 2013	(EP)	001373658-0006

(51) **LOC (10) Cl.** **29-02**

(52) **U.S. Cl.**
USPC **D24/110**

(58) **Field of Classification Search**
USPC D24/107, 108, 110, 111, 164;
128/200.14, 200.23, 202.21, 203.15,
128/203.21, 205.24
CPC A61M 2202/064; A61M 15/0025;
A61M 15/0065; A61M 15/0021; A61M
15/0026

See application file for complete search history.

(56) **References Cited**

U.S. PATENT DOCUMENTS

D355,029	S	*	1/1995	Kinneir et al.	D24/110
D614,024	S	*	4/2010	Eason et al.	D9/421
D623,054	S	*	9/2010	Eason et al.	D9/421
D641,890	S	*	7/2011	Nardo	D24/224
D645,734	S	*	9/2011	Eason et al.	D9/421

D646,965	S	*	10/2011	Eason et al.	D9/421
8,196,578	B2	*	6/2012	Wendland	128/203.21
D683,844	S	*	6/2013	Andrade et al.	D24/110
8,539,947	B2	*	9/2013	Kuhn et al.	128/203.21
D710,002	S	*	7/2014	Valentine et al.	D24/110
2002/0183347	A1	*	12/2002	Meade et al.	514/291
2002/0189610	A1	*	12/2002	Bozung et al.	128/200.22
2004/0048887	A1	*	3/2004	Meade et al.	514/291
2004/0058950	A1	*	3/2004	Meade et al.	514/291
2004/0266869	A1	*	12/2004	Montague et al.	514/554
2005/0279357	A1	*	12/2005	Wachtel	128/203.15
2006/0219242	A1	*	10/2006	Zierenberg	128/200.23
2006/0237016	A1	*	10/2006	Wachtel	128/205.21
2006/0239935	A1	*	10/2006	Bouyssou et al.	424/46
2007/0221211	A1	*	9/2007	Sagalovich	128/200.15

(Continued)

Primary Examiner — Deanna L Pratt

Assistant Examiner — Lilyana Bekic

(74) *Attorney, Agent, or Firm* — Laurence A. Greenberg;
Werner H. Stemer; Ralph E. Locher

(57) **CLAIM**

The ornamental design for an inhaler, as shown and described.

DESCRIPTION

FIG. 1 is a right side elevation view of the inhaler, showing my new design;

FIG. 2 is a front elevation view thereof;

FIG. 3 is a left side elevation view thereof;

FIG. 4 is a rear elevation view thereof;

FIG. 5 is a top plan view thereof;

FIG. 6 is a bottom view thereof;

FIG. 7 is a right side, front perspective view thereof;

FIG. 8 is a right side elevation view showing the inhaler in an alternate (open) position;

FIG. 9 is a front elevation view thereof;

FIG. 10 is a right elevation side view thereof;

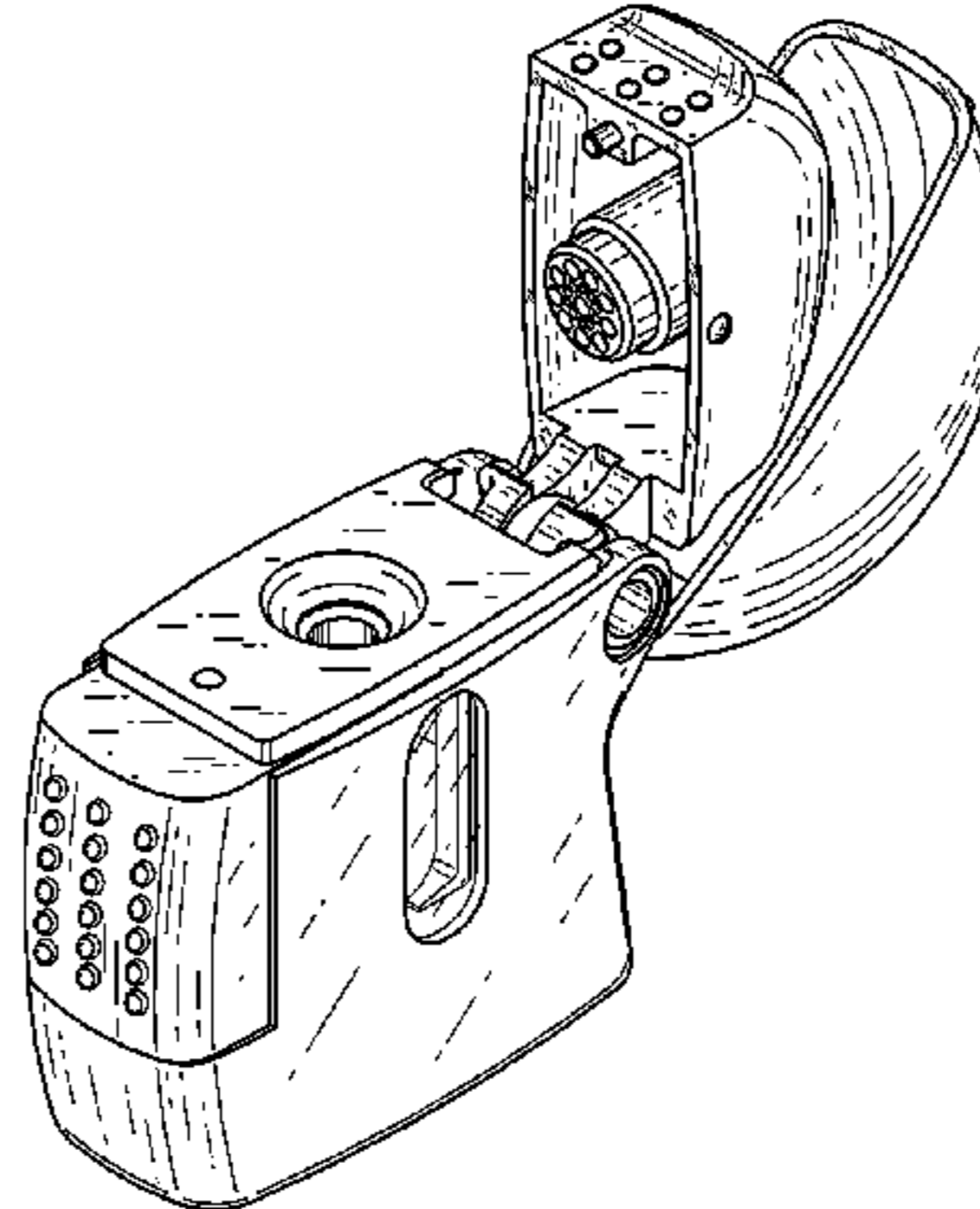
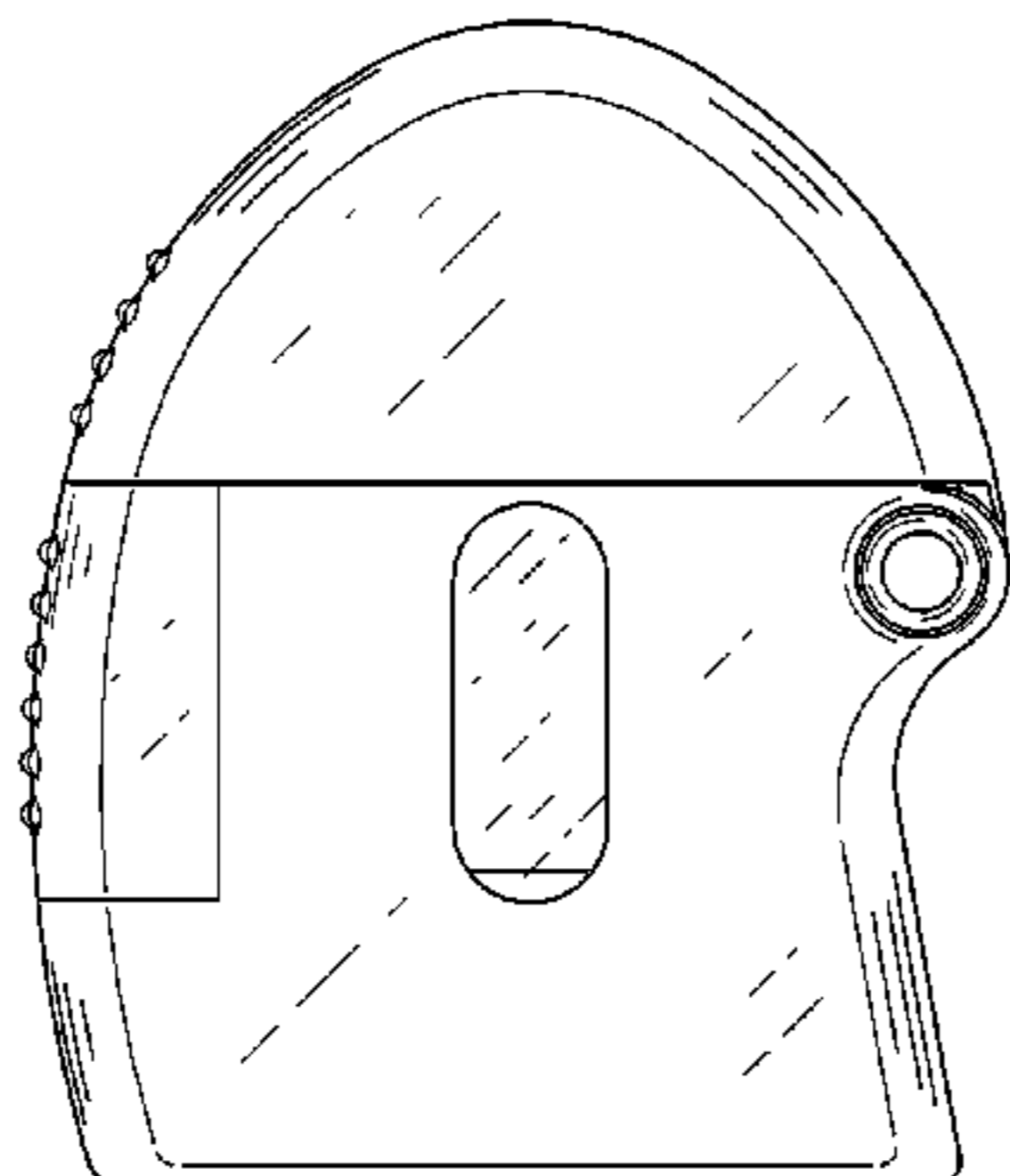
FIG. 11 is a rear elevation view thereof;

FIG. 12 is a top plan view thereof;

FIG. 13 is a bottom view thereof; and,

FIG. 14 is a side, front perspective view thereof, showing the inhaler in the open position.

1 Claim, 6 Drawing Sheets



(56)

References Cited

U.S. PATENT DOCUMENTS

2008/0295832	A1 *	12/2008	Geser et al.	128/203.15	
2009/0165791	A1 *	7/2009	Wendland	128/203.21	
2009/0235929	A1 *	9/2009	Egen et al.	128/203.15	
2010/0099651	A1 *	4/2010	Jung et al.	514/171	
2011/0067696	A1 *	3/2011	Sato et al.	128/203.15	
2014/0318538	A1 *	10/2014	Bilgic	128/203.15	

* cited by examiner

FIG. 1

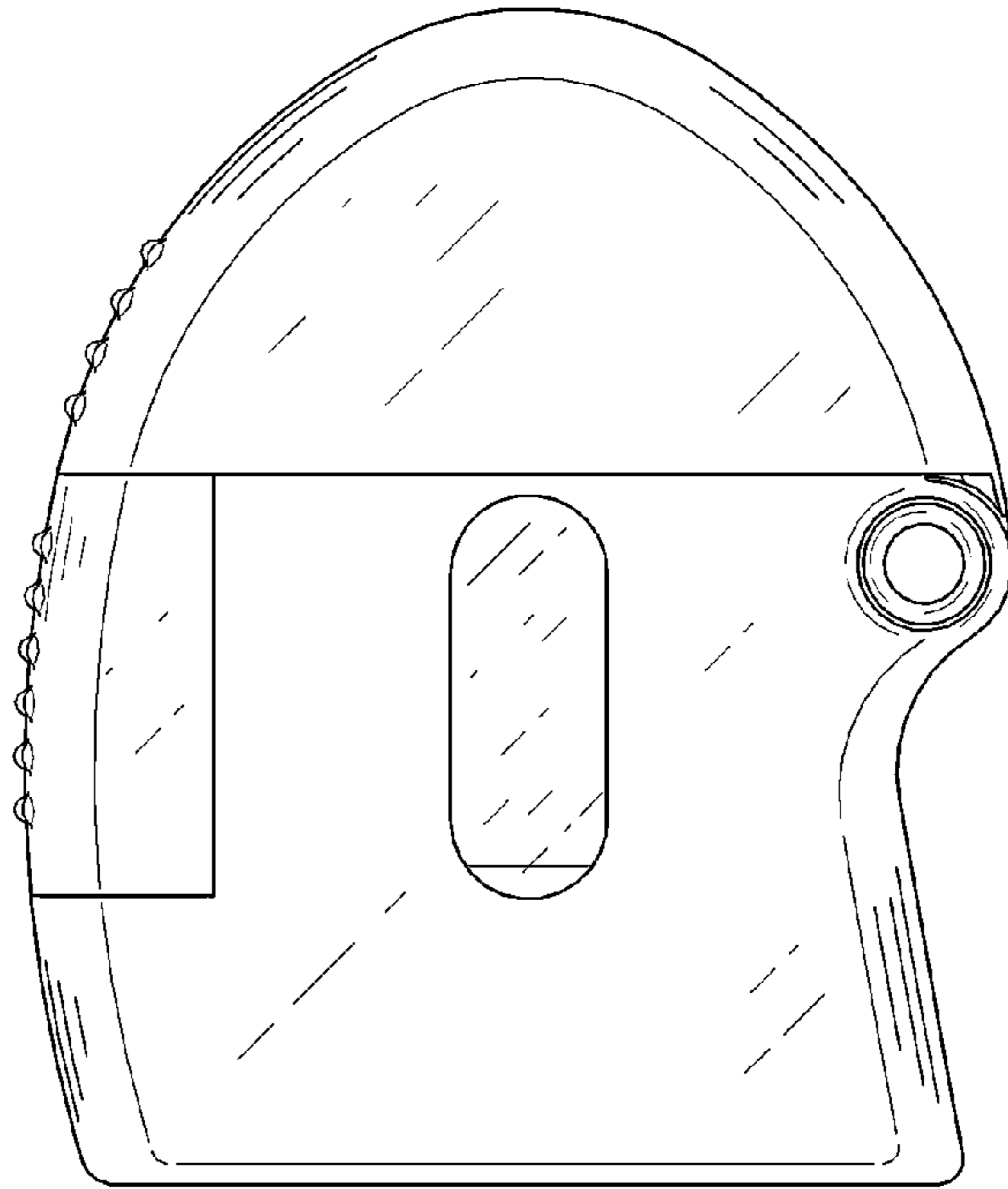


FIG. 2

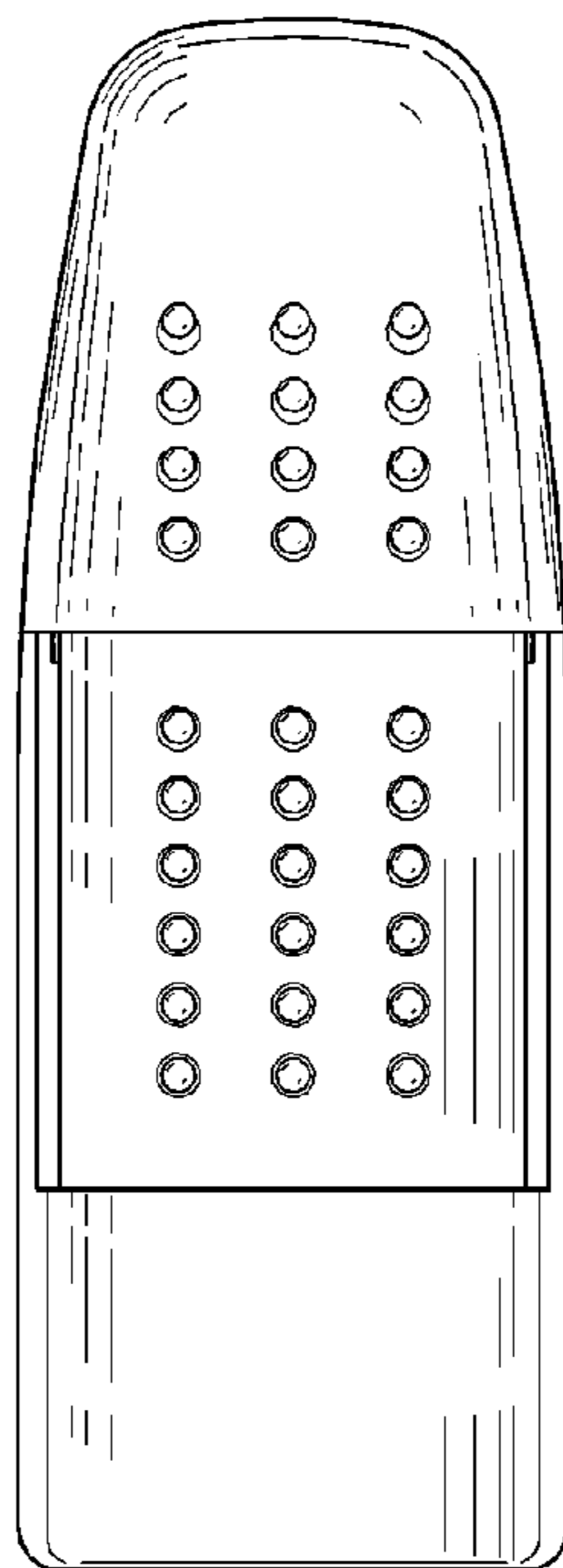


FIG. 3

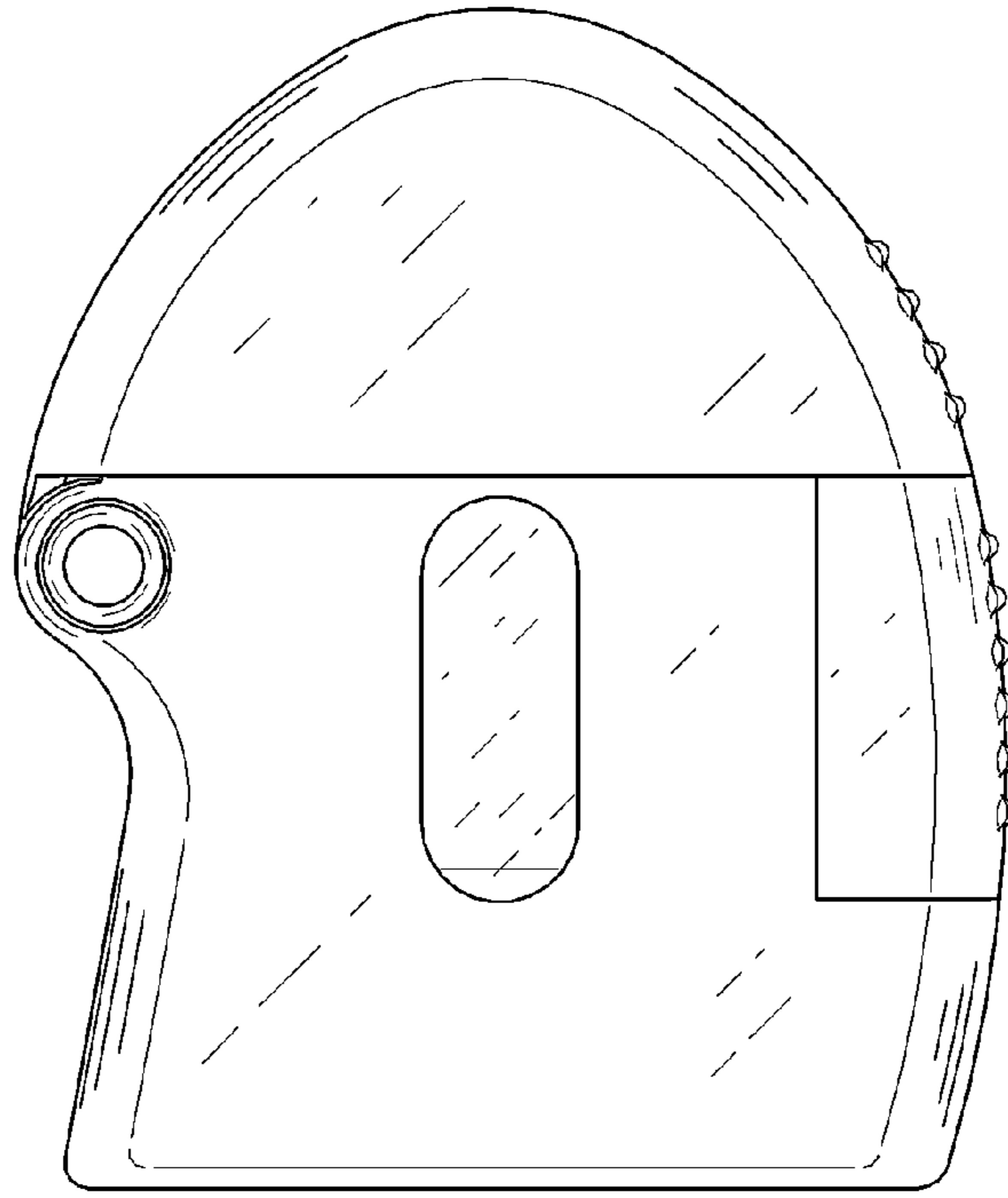


FIG. 4

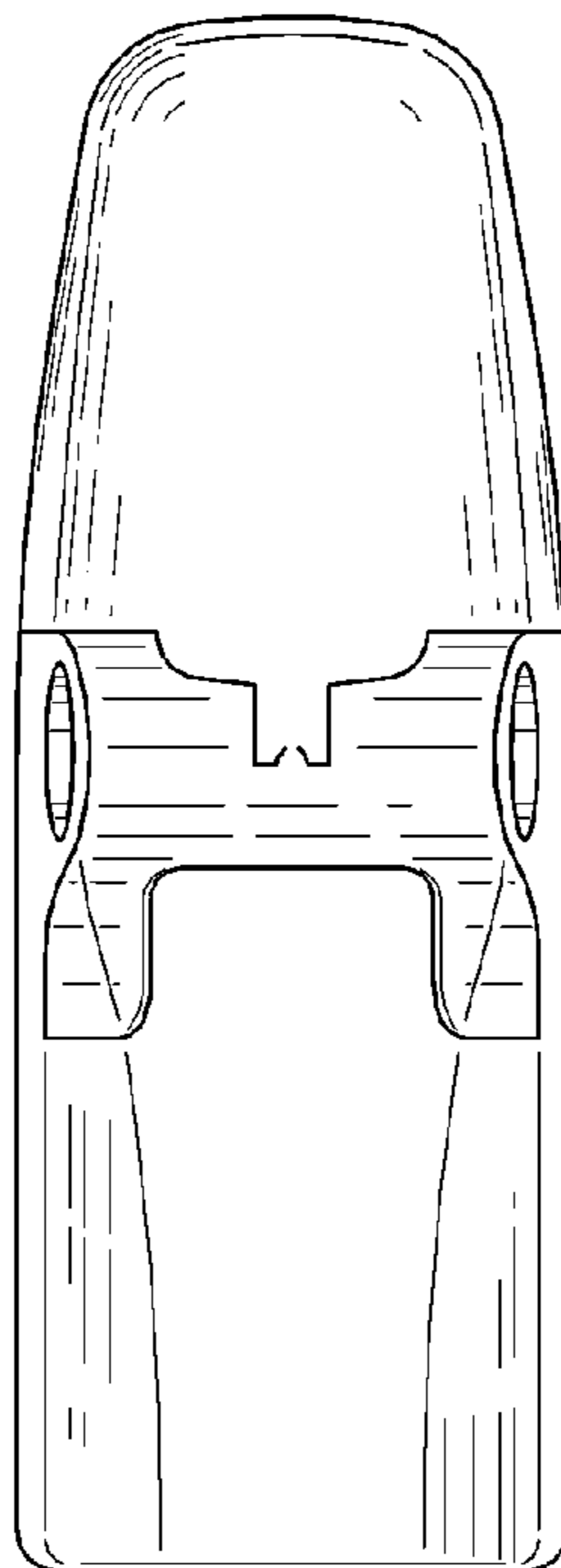


FIG. 5

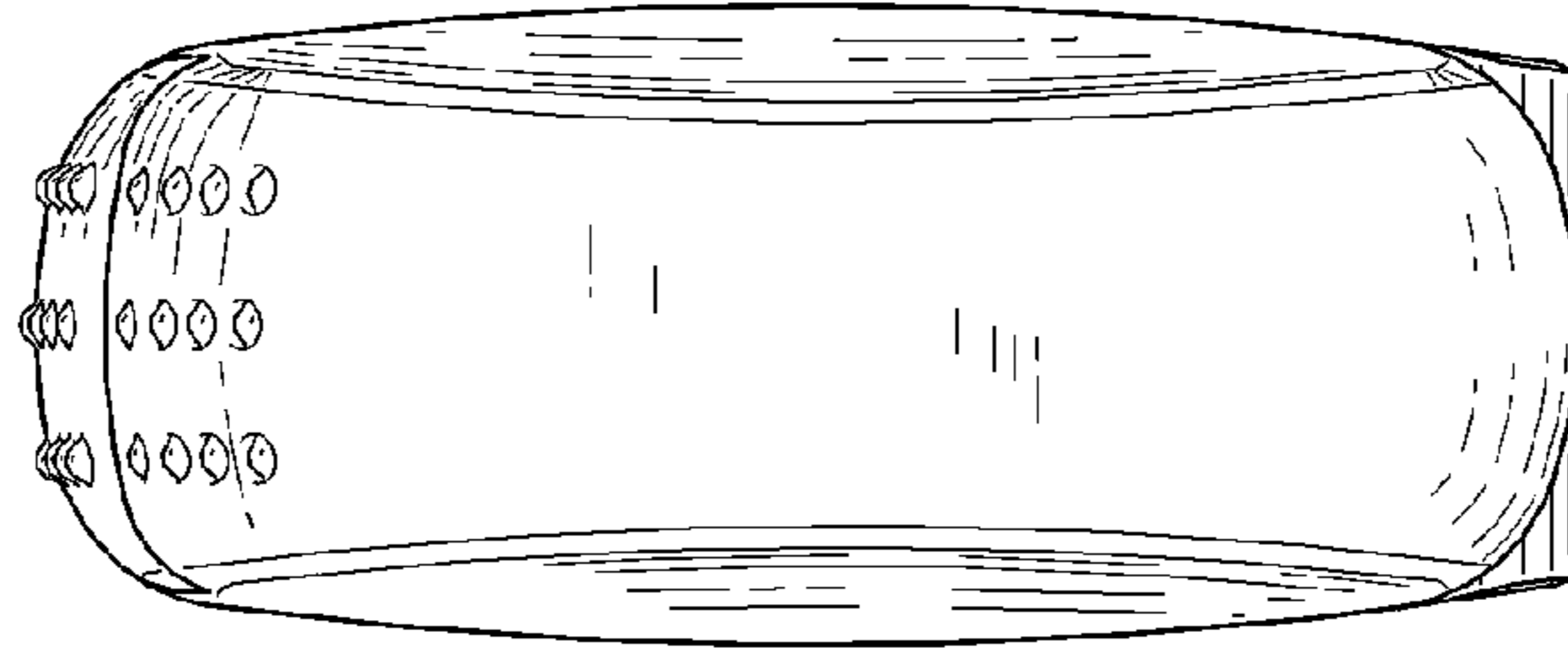


FIG. 6

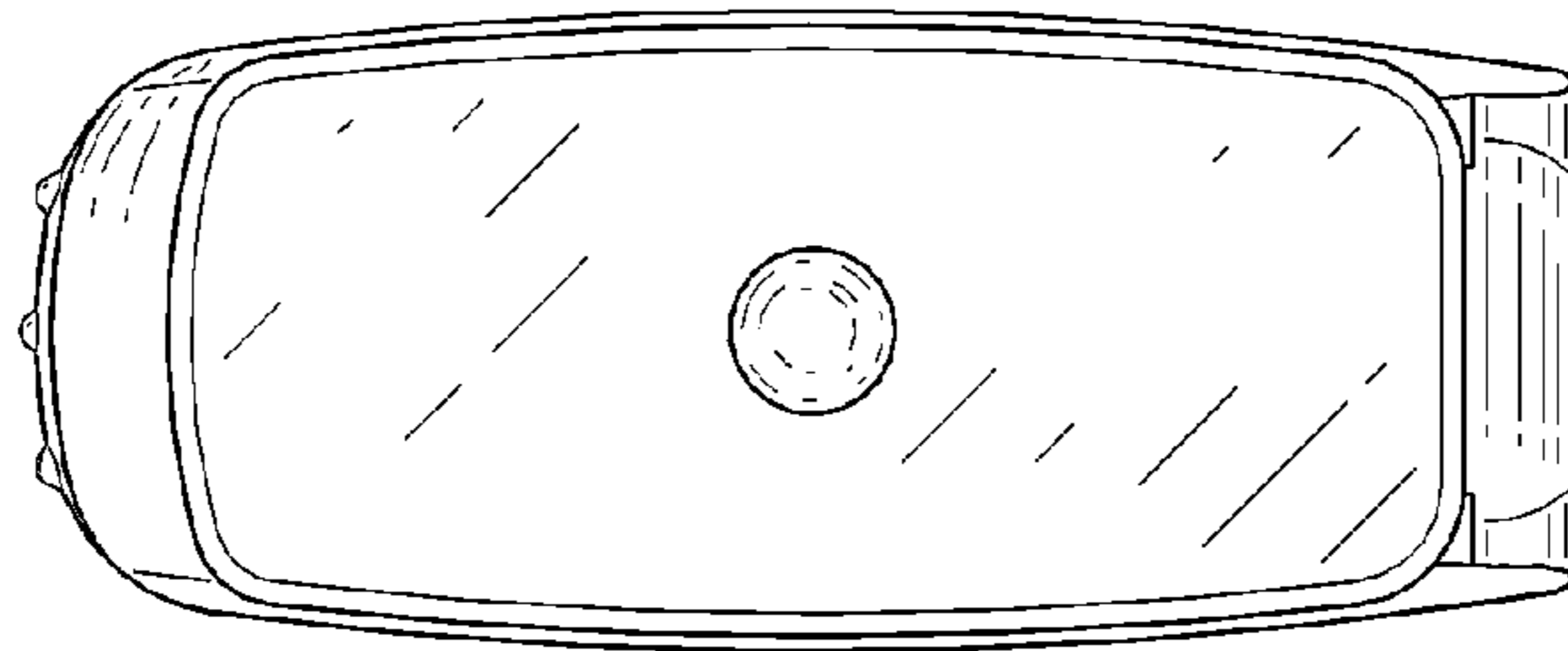


FIG. 7

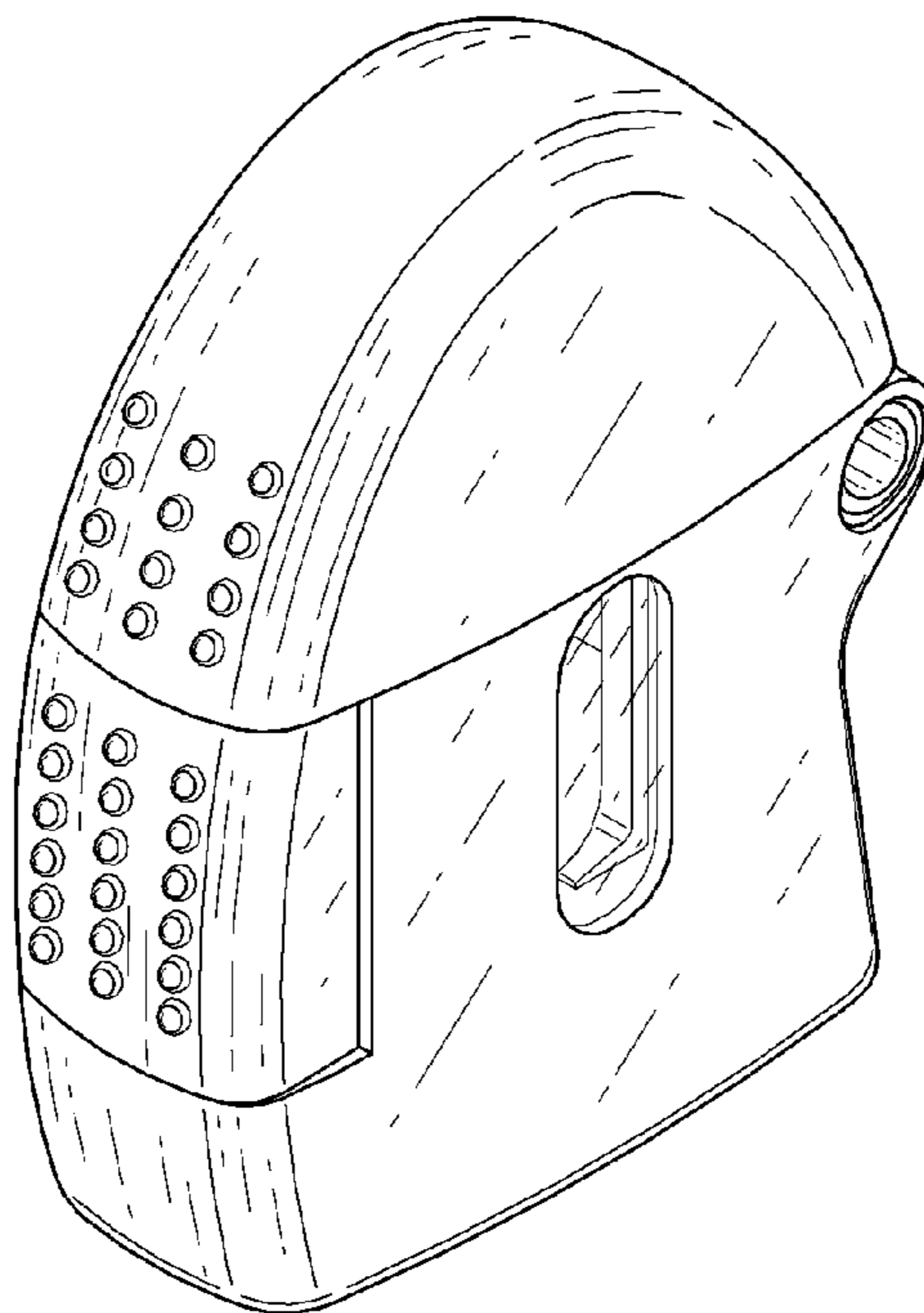


FIG. 8

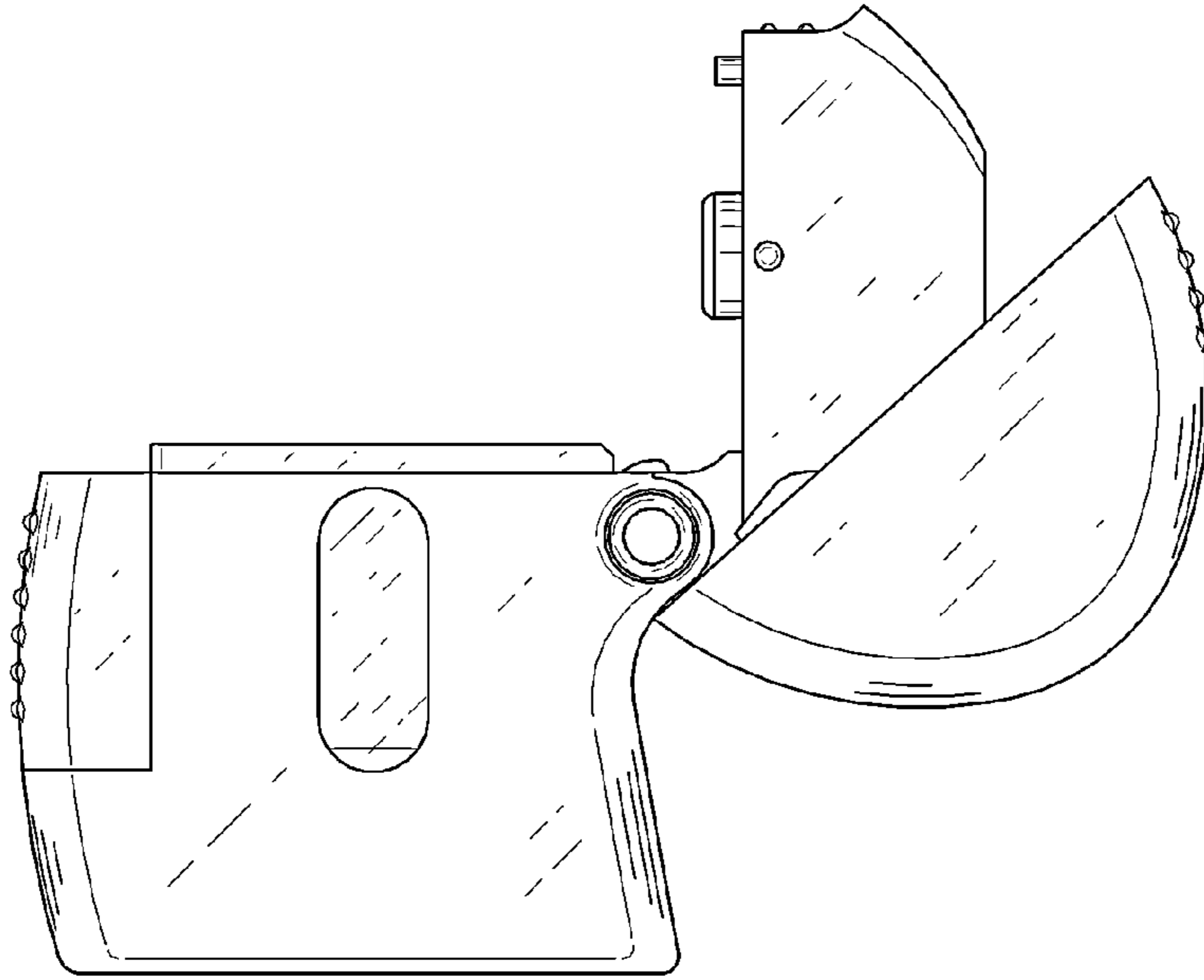


FIG. 9

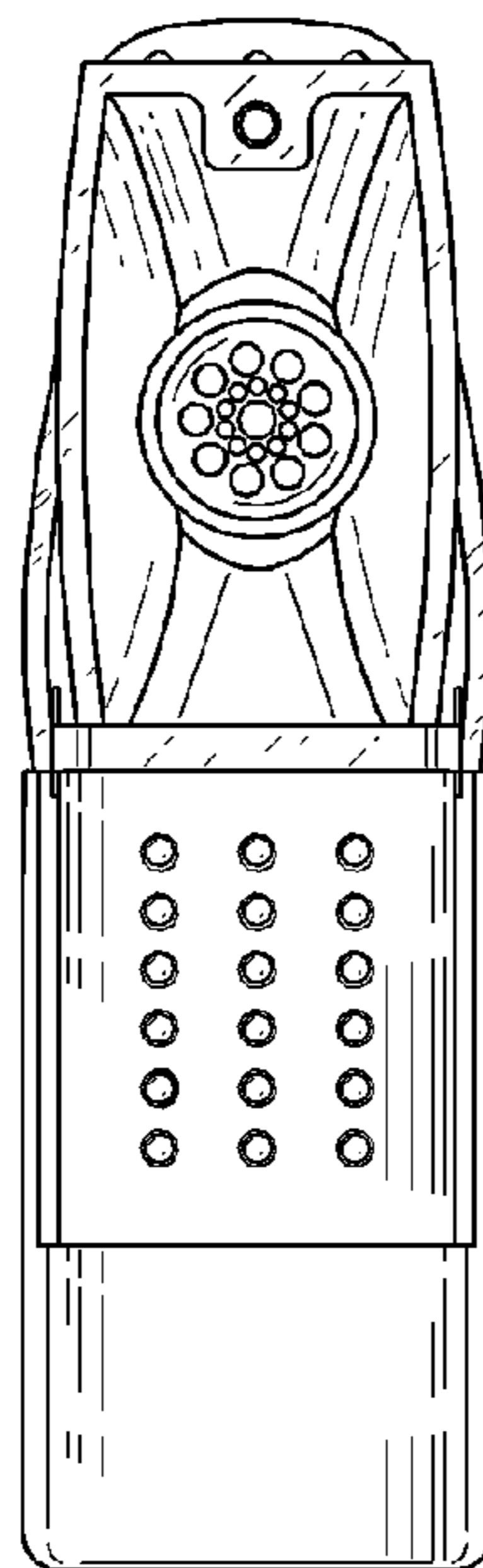


FIG. 10

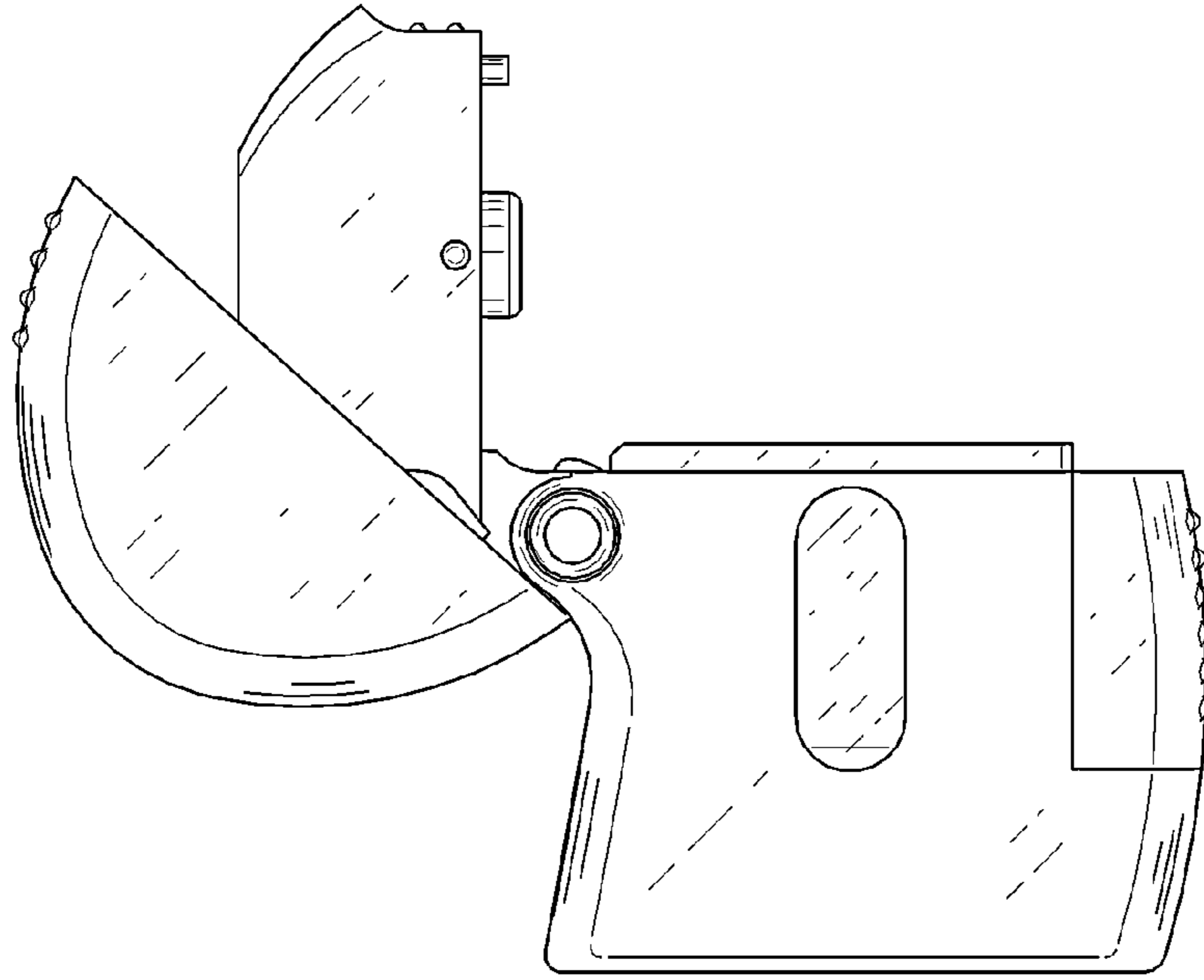


FIG. 11

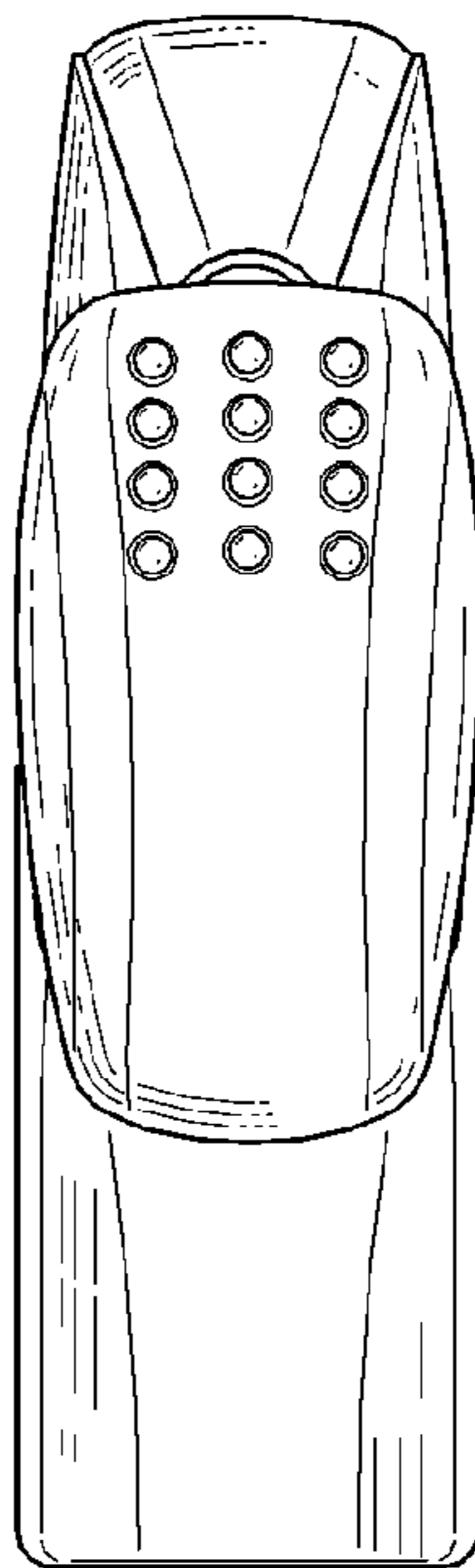


FIG. 12

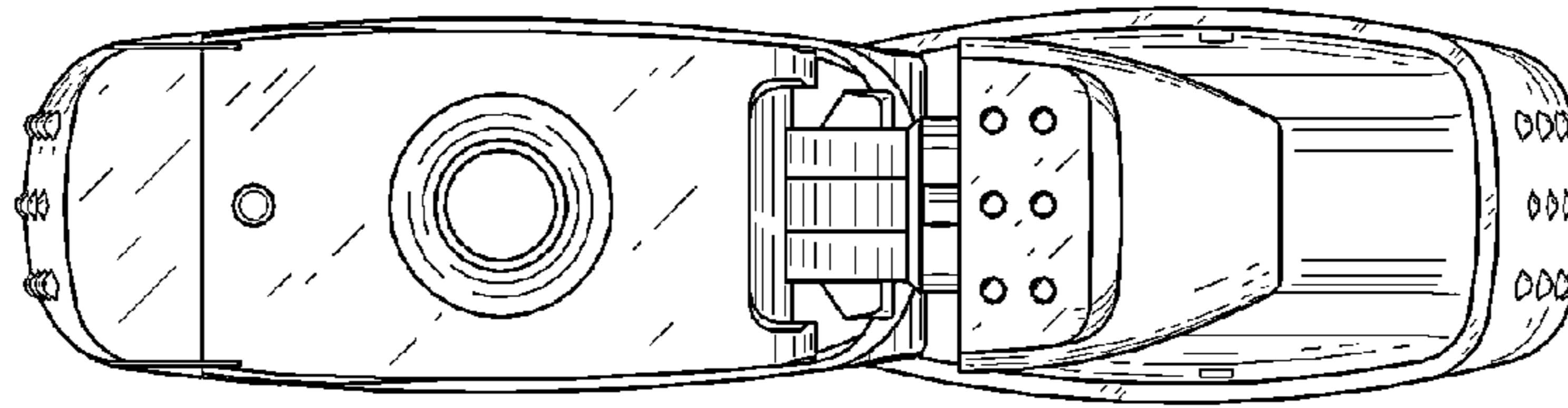


FIG. 13

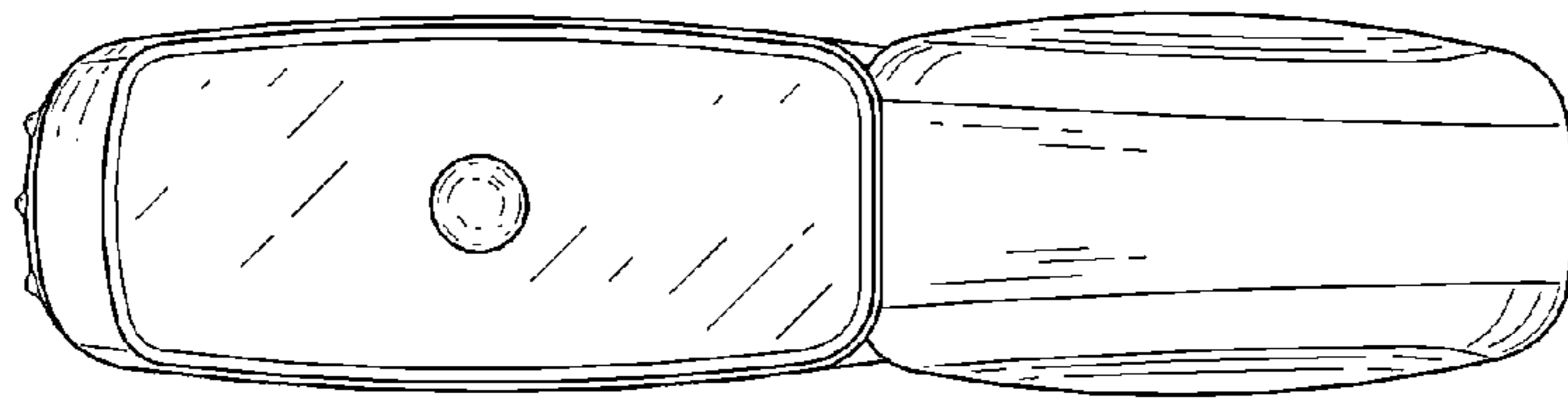


FIG. 14

