



US00D739521S

(12) **United States Design Patent**
Pipe et al.

(10) **Patent No.:** **US D739,521 S**

(45) **Date of Patent:** **** Sep. 22, 2015**

(54) **NEBULIZER COMPRESSOR**

(56) **References Cited**

- (71) Applicant: **KONINKLIJKE PHILIPS N.V.**,
Eindhoven (NL)
- (72) Inventors: **Jeffrey Andrew Pipe**, Pittsburgh, PA
(US); **Paul Denis McGroary**, Gibsonia,
PA (US); **Jan Schminke**, Munich (DE);
Justin David Cumming, Topsfield, MA
(US); **Jason J. Cooper**, Watertown, MA
(US)
- (73) Assignee: **KONINKLIJKE PHILIPS N.V.**,
Eindhoven (NL)
- (**) Term: **14 Years**
- (21) Appl. No.: **29/470,479**
- (22) Filed: **Oct. 22, 2013**

U.S. PATENT DOCUMENTS

D376,199	S	*	12/1996	Rozek et al.	D24/110
D437,637	S	*	2/2001	Leonhard et al.	D24/110
D527,098	S	*	8/2006	Cheng	D24/110
D560,795	S	*	1/2008	Lithgow et al.	D24/110
D570,473	S	*	6/2008	Hamaguchi et al.	D24/110
D658,283	S	*	4/2012	Burz et al.	D24/110
D658,755	S	*	5/2012	Lithgow	D24/110
D659,235	S	*	5/2012	Bertinetti et al.	D24/110
D675,730	S	*	2/2013	Lithgow et al.	D24/110
D679,800	S	*	4/2013	Gusky et al.	D24/110
D683,444	S	*	5/2013	Inoue et al.	D24/110
D683,445	S	*	5/2013	Inoue	D24/110
D696,393	S	*	12/2013	Lu	D24/110
D696,394	S	*	12/2013	Lu	D24/110
D708,733	S	*	7/2014	Ng et al.	D24/110
2008/0190417	A1	*	8/2008	Abate et al.	128/200.14

* cited by examiner

Primary Examiner — Deanna L Pratt

Assistant Examiner — Lilyana Bekic

Related U.S. Application Data

(62) Division of application No. 29/458,134, filed on Jun. 17, 2013.

(57) **CLAIM**

The ornamental design for a nebulizer compressor, as shown.

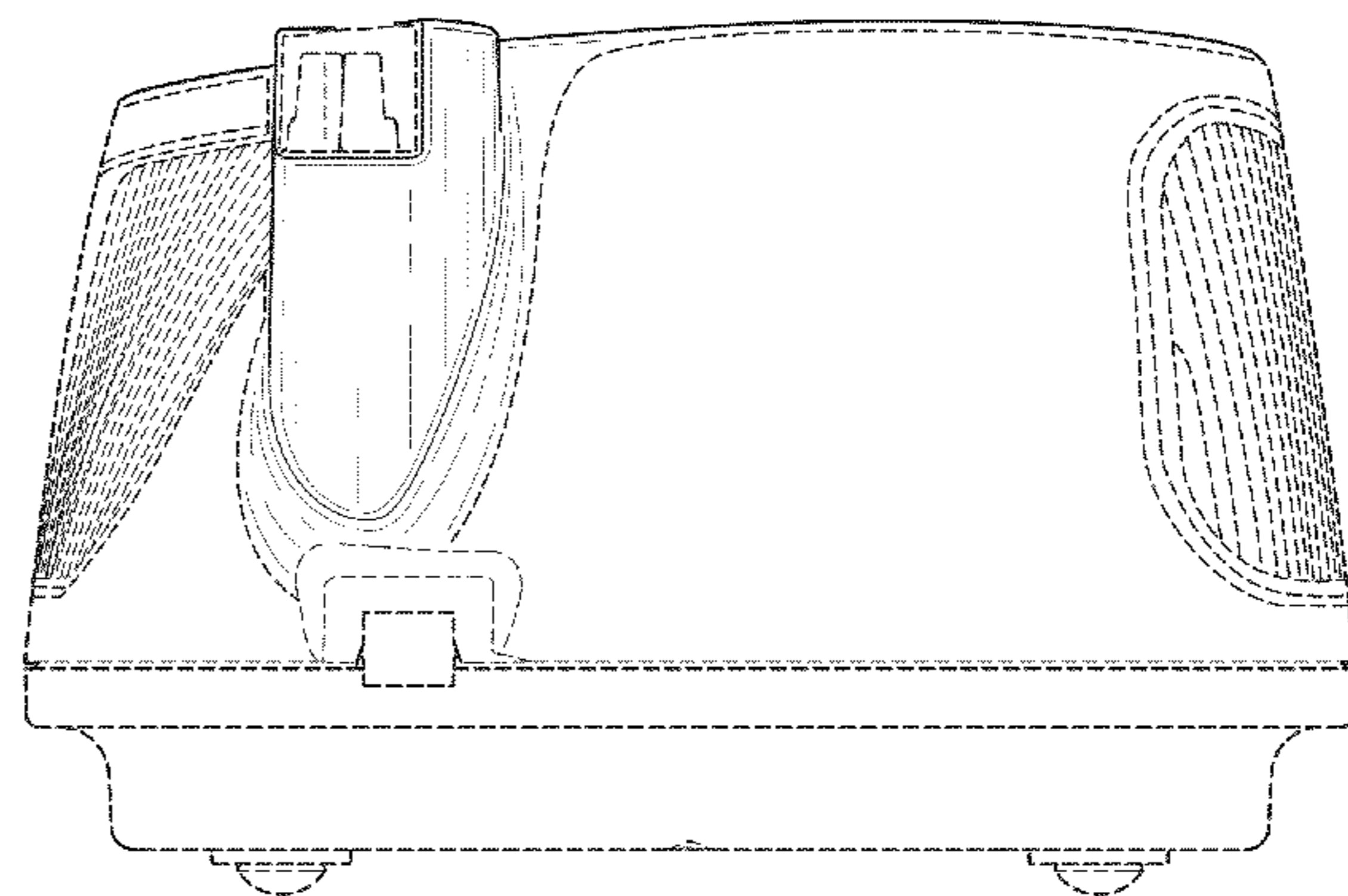
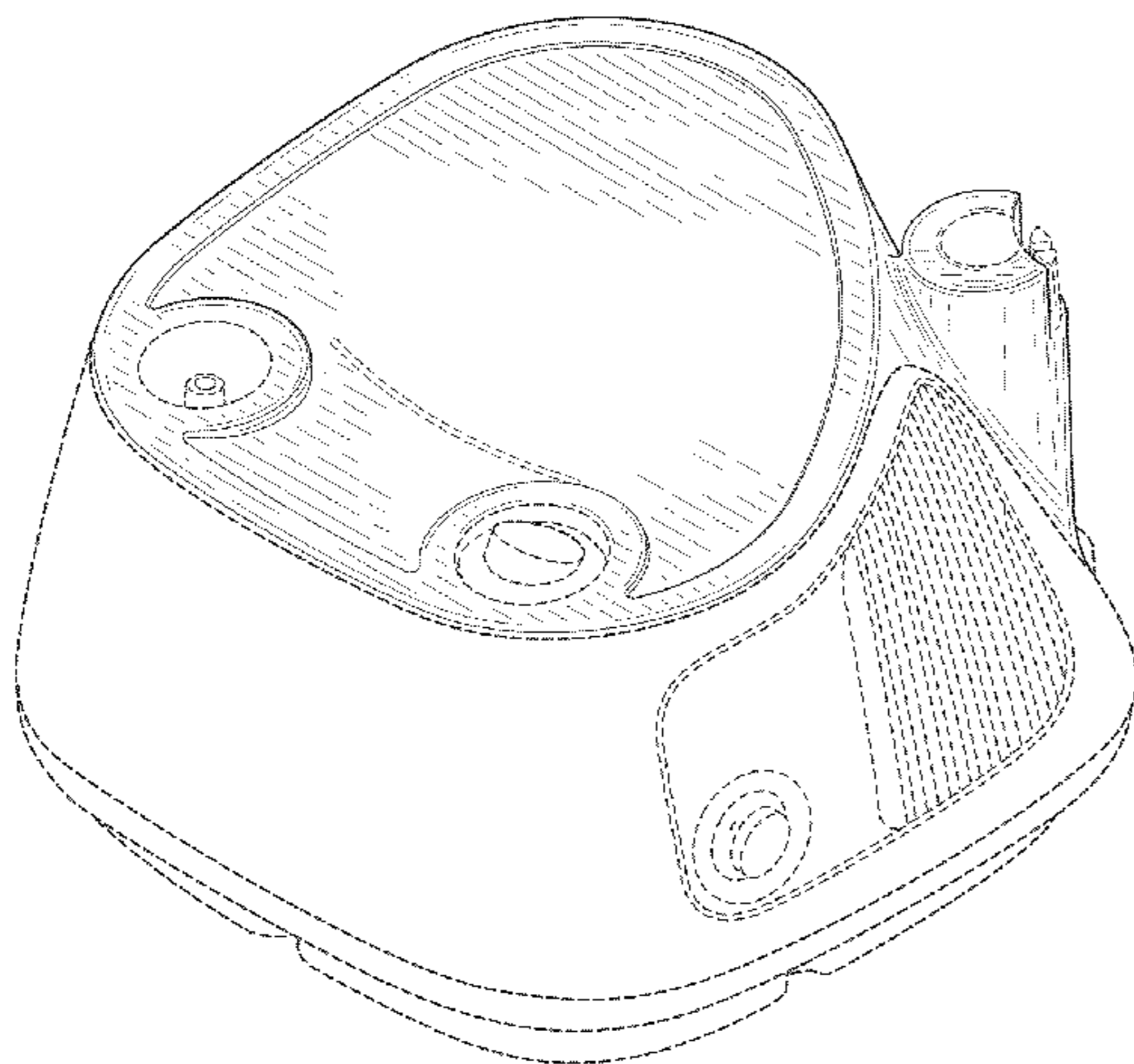
(30) **Foreign Application Priority Data**

- Dec. 20, 2012 (EM) 002157545-0002
- (51) **LOC (10) Cl.** **24-01**
- (52) **U.S. Cl.**
USPC **D24/108**
- (58) **Field of Classification Search**
USPC D24/107, 108, 110, 111, 164; D15/9;
128/200.14, 200.21, 200.24, 203.12,
128/204.18
CPC A61M 11/02; A61M 16/0063; A61M
16/0057
See application file for complete search history.

DESCRIPTION

FIG. 1 is a perspective view showing my design;
 FIG. 2 is a front elevational view thereof;
 FIG. 3 is a rear elevational view thereof;
 FIG. 4 is a right side elevational view thereof;
 FIG. 5 is a left side elevational view thereof;
 FIG. 6 is a top plan view thereof; and,
 FIG. 7 is a bottom plan view thereof.
 The broken lines in the drawings illustrate portions of the nebulizer compressor which form no part of the claimed design.

1 Claim, 5 Drawing Sheets



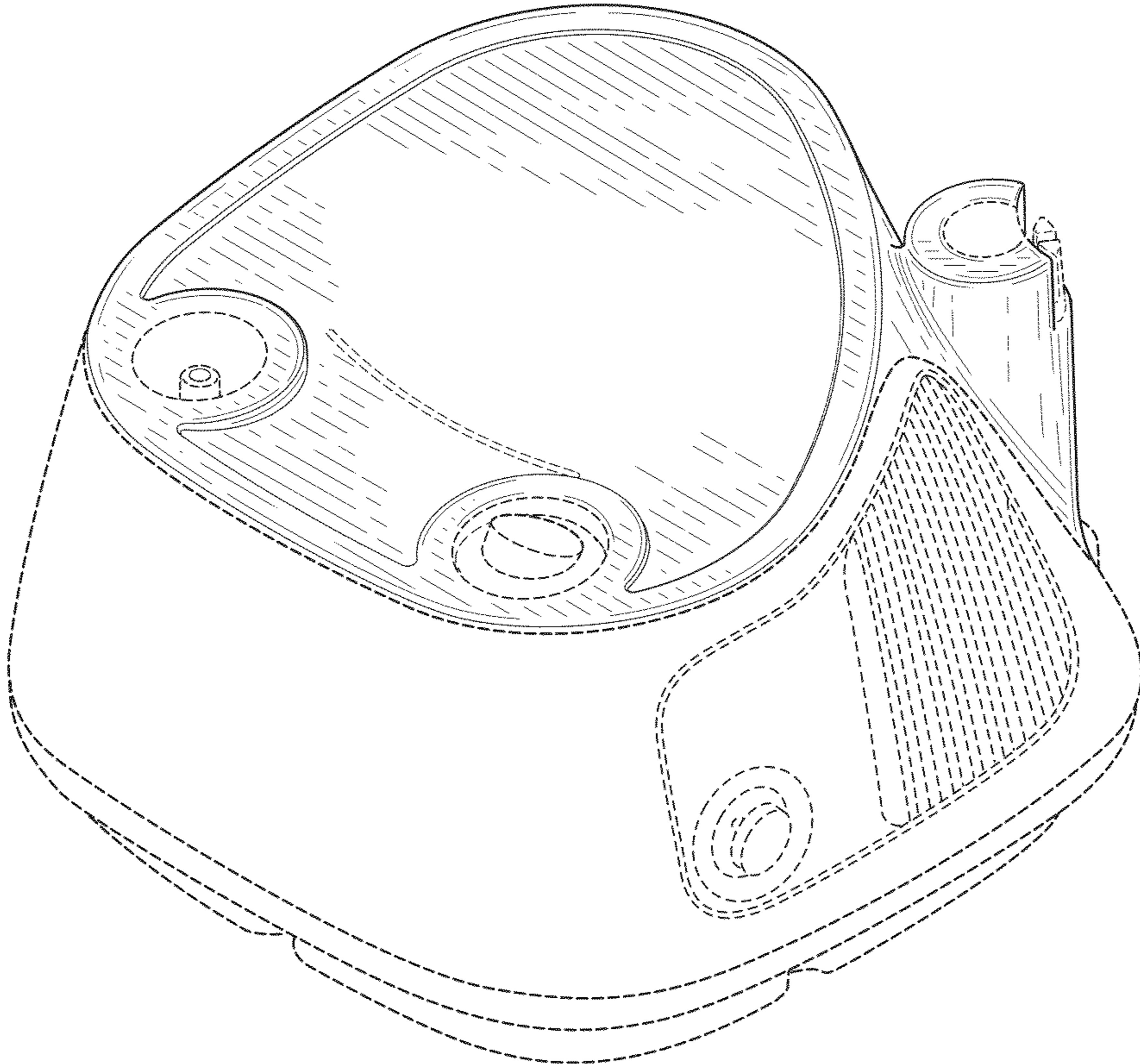


FIG. 1

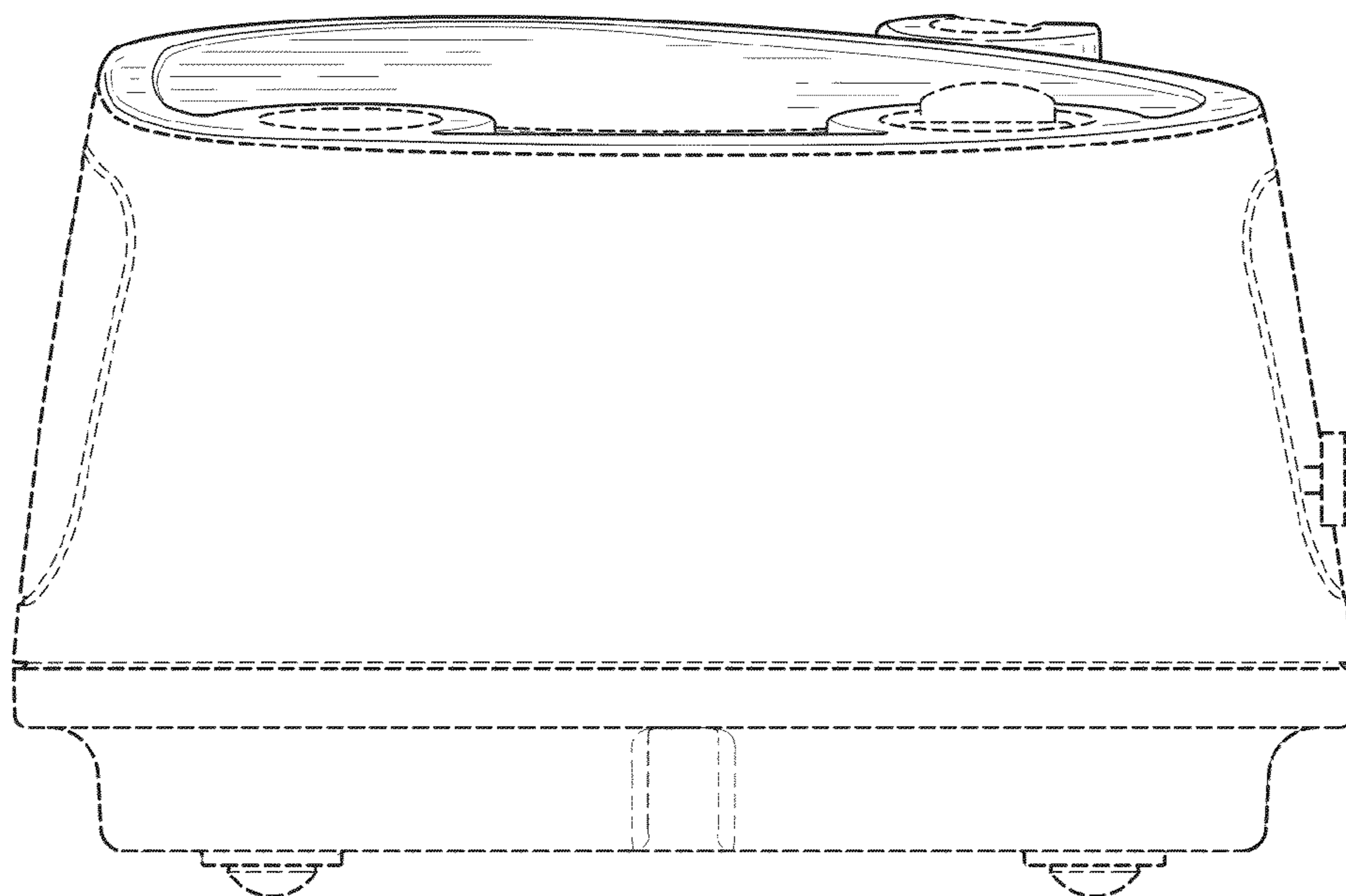


FIG. 2

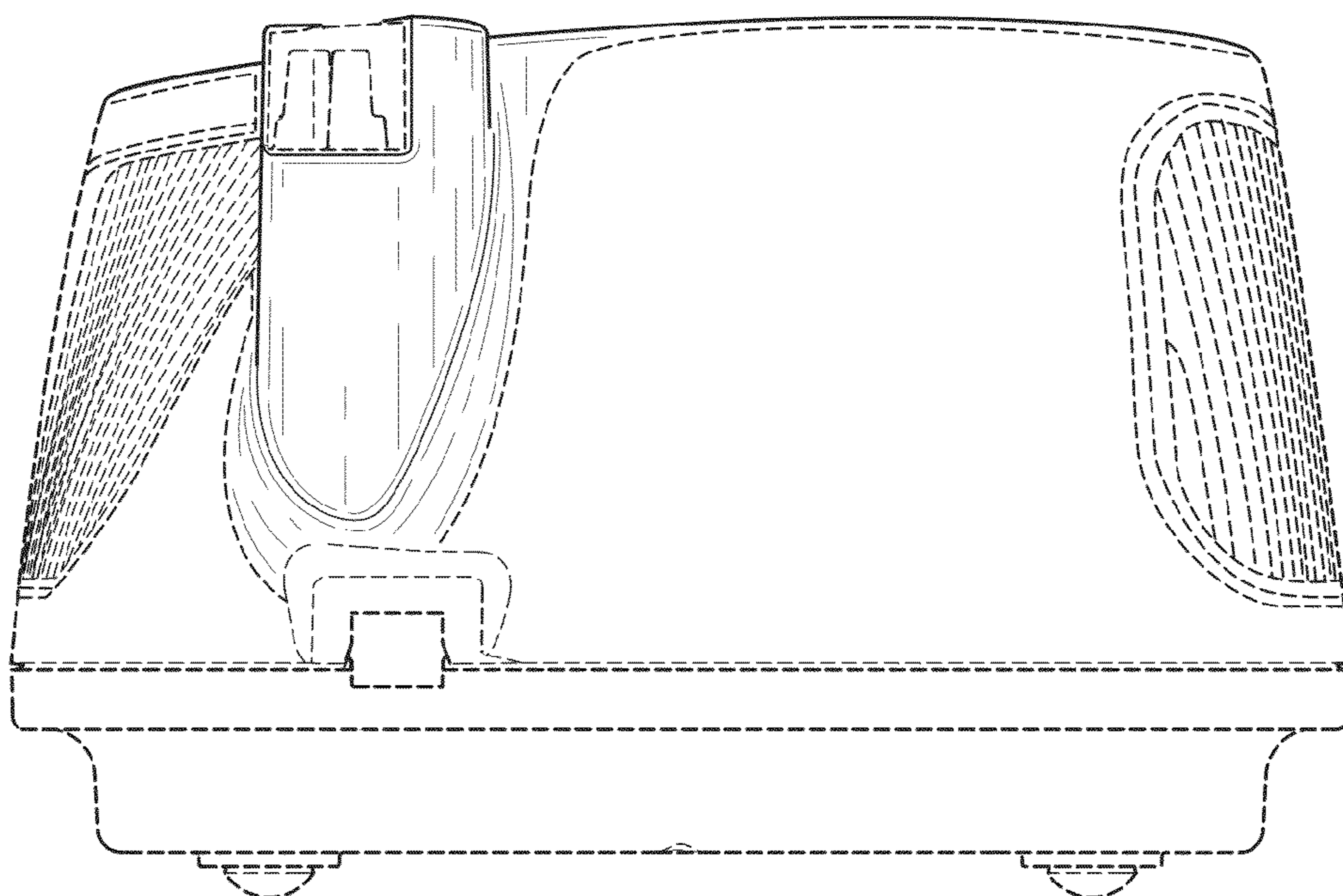


FIG. 3

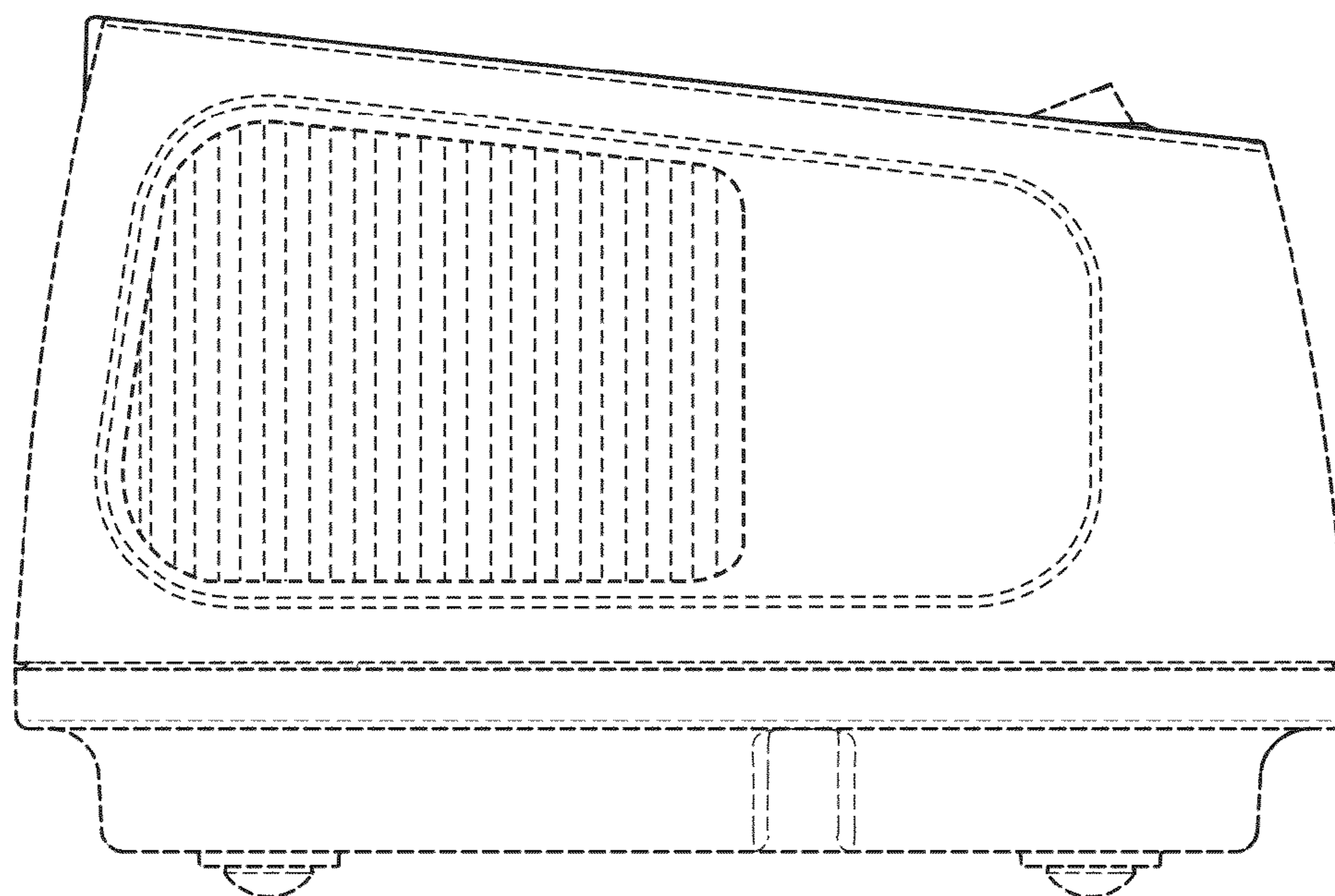


FIG. 4

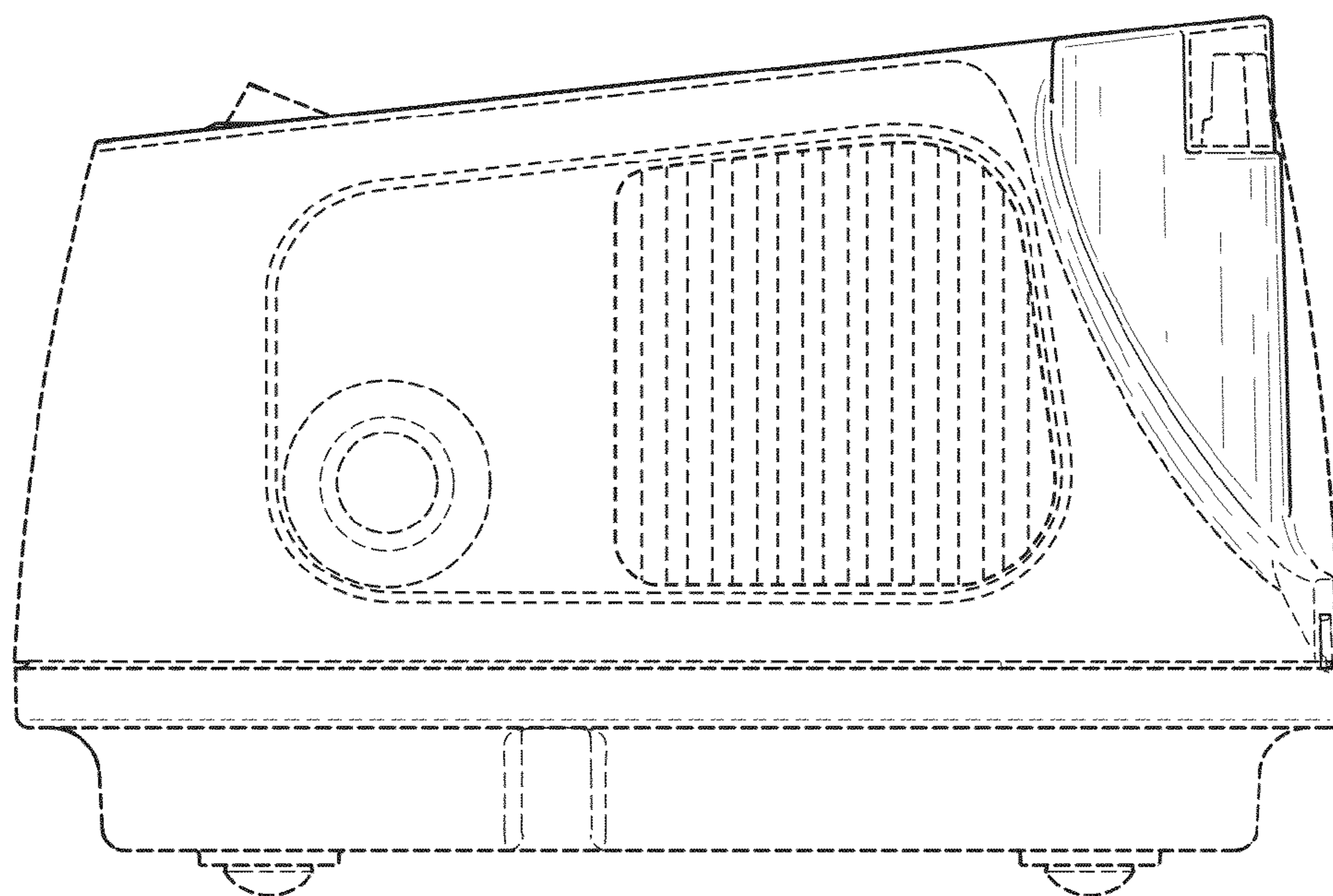


FIG. 5

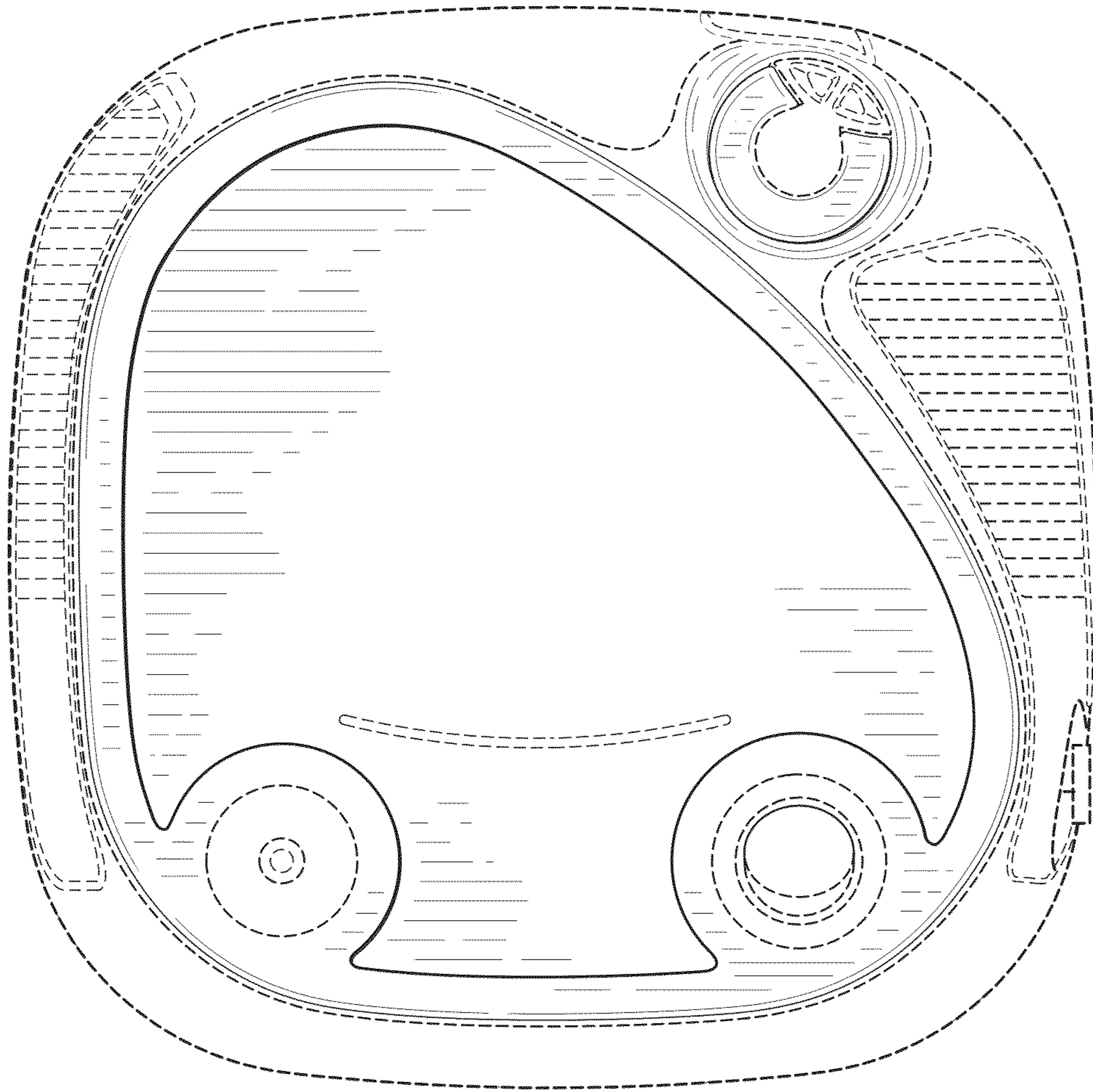


FIG. 6

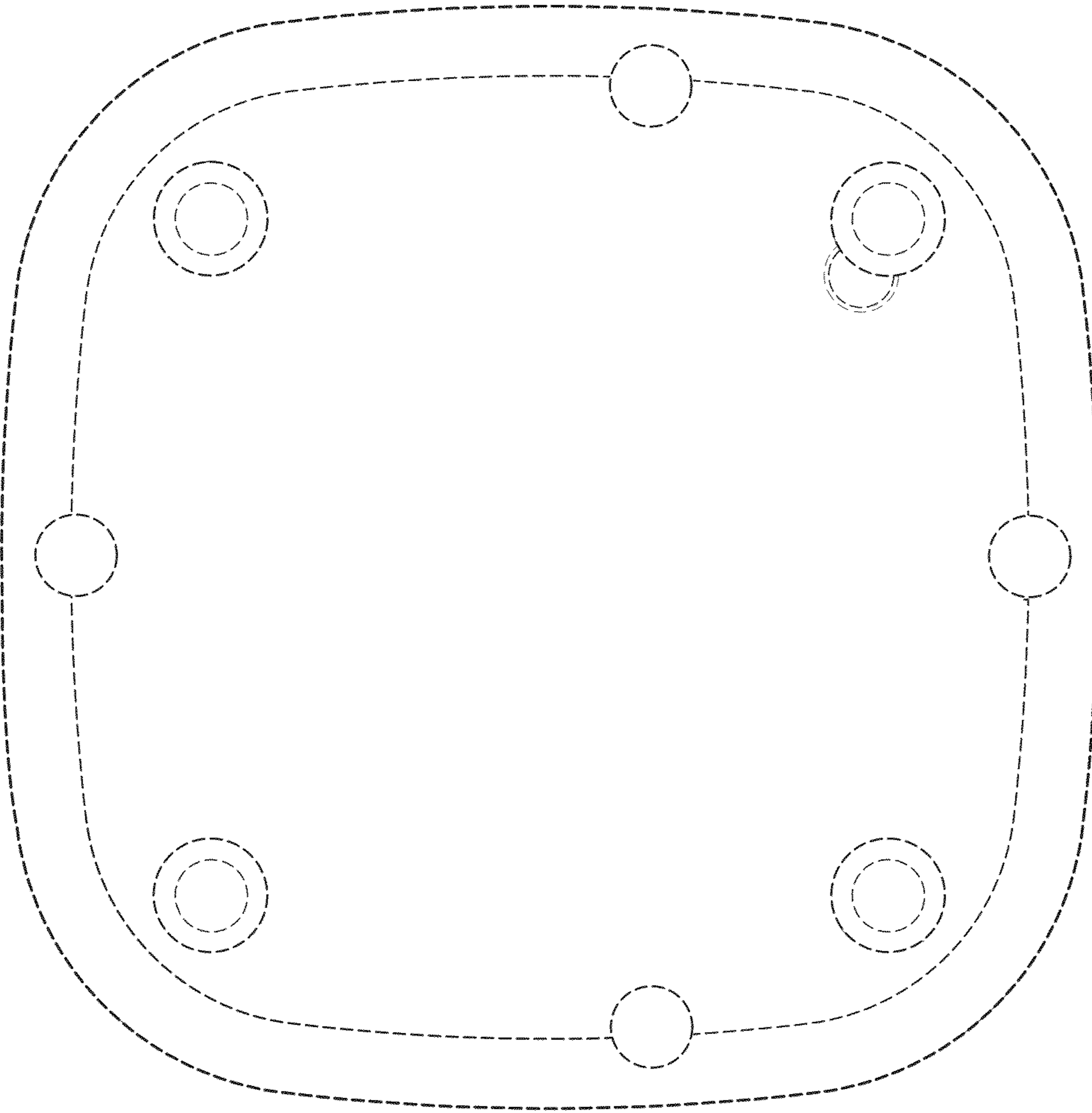


FIG. 7