

US00D739520S

(12) **United States Design Patent**
Butler

(10) **Patent No.:** **US D739,520 S**

(45) **Date of Patent:** **** Sep. 22, 2015**

- (54) **EARPLUG**
- (71) Applicant: **Bumble BE Holdings, LLC**, Los Angeles, CA (US)
- (72) Inventor: **Steven Butler**, Torrance, CA (US)
- (73) Assignee: **sBumble BE Holdings, LLC**, Los Angeles, CA (US)
- (**) Term: **14 Years**
- (21) Appl. No.: **29/496,609**
- (22) Filed: **Jul. 15, 2014**
- (51) **LOC (10) Cl.** **24-04**
- (52) **U.S. Cl.**
USPC **D24/106**
- (58) **Field of Classification Search**
USPC D24/106, 173, 174; D14/205, 206, 223; D29/112
CPC A61F 11/08; A61F 11/10; A61F 2011/085
See application file for complete search history.

D437,048 S	1/2001	Hirshfeld	
6,264,870 B1	7/2001	Hakansson	
6,440,339 B1	8/2002	Magidson et al.	
D472,627 S *	4/2003	Falco	D24/106
D481,118 S	10/2003	Doty et al.	
D492,766 S *	7/2004	Falco	D24/106
D512,141 S	11/2005	Mishkin et al.	
6,981,504 B2	1/2006	Jenkins, Jr.	
D521,637 S *	5/2006	Yang	D24/106
D529,169 S	9/2006	Ryan	
7,107,993 B2	9/2006	Magidson	
D535,644 S	1/2007	Drambarean et al.	
D536,089 S	1/2007	Magidson et al.	
D539,415 S *	3/2007	Fleming	D24/106
7,305,992 B2	12/2007	Fleming	
7,314,047 B2	1/2008	Falco	
D591,732 S *	5/2009	Burton	D14/223
D592,300 S	5/2009	Yeh	
7,537,011 B2	5/2009	Falco	
D604,409 S *	11/2009	Scanlon	D24/106
D606,189 S	12/2009	Lajtai	
7,697,706 B2	4/2010	Doty	
D624,999 S	10/2010	Turdjian et al.	
7,967,015 B2	6/2011	Jenkins, Jr.	

(Continued)

Primary Examiner — Ian Simmons
Assistant Examiner — Richelle G Shelton
(74) Attorney, Agent, or Firm — Risso & Associate

(56) **References Cited**

U.S. PATENT DOCUMENTS

D195,322 S *	5/1963	Hill	D24/106
D259,279 S *	5/1981	Takeda	D24/106
4,774,938 A	10/1988	Leight	
4,867,149 A	9/1989	Falco	
5,036,681 A	8/1991	Schaerer	
5,113,967 A	5/1992	Killion et al.	
5,819,745 A *	10/1998	Mobley et al.	128/864
5,904,143 A	5/1999	Magidson et al.	
D414,260 S *	9/1999	Conner	D24/106
5,957,136 A	9/1999	Magidson et al.	
5,988,313 A	11/1999	Hakansson	
6,006,857 A	12/1999	Leight et al.	
D427,304 S	6/2000	Magidson et al.	
D435,645 S	12/2000	Westerdal	
D436,164 S *	1/2001	Foslien	D24/106

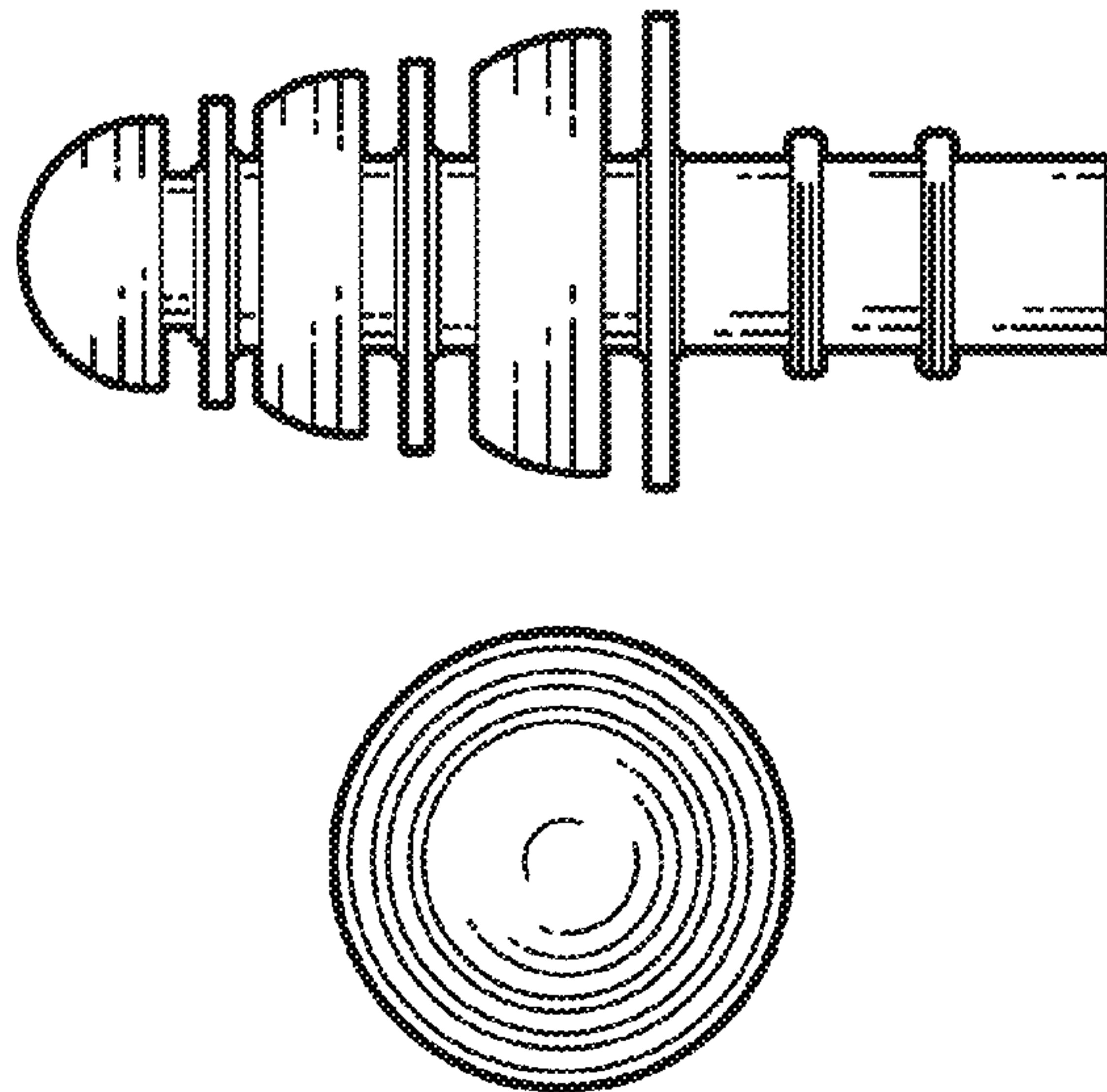
(57) **CLAIM**

The ornamental design for an earplug, as shown and described.

DESCRIPTION

FIG. 1 is a left, front-perspective view of an earplug;
FIG. 2 is a right, rear-perspective view of the earplug;
FIG. 3 is a right, side-view of the earplug, the left, side-view being a mirror image thereof;
FIG. 4 is a rear-view of the earplug; and,
FIG. 5 is a front-view of the earplug.

1 Claim, 1 Drawing Sheet



(56)

References Cited

U.S. PATENT DOCUMENTS

7,984,716	B2	7/2011	Purcell et al.	2003/0172938	A1*	9/2003	Falco	128/864
8,113,207	B2	2/2012	Gehling et al.	2006/0102418	A1	5/2006	Magidson	
8,161,975	B2	4/2012	Turdjian	2007/0183606	A1*	8/2007	Doty	381/72
2002/0066455	A1*	6/2002	Falco	2010/0294285	A1	11/2010	Turdjian	
				2012/0073583	A1	3/2012	Turdjian	
				2012/0199143	A1	8/2012	Turdjian et al.	
				2012/0272974	A1	11/2012	Magidson et al.	

* cited by examiner

FIG. 1

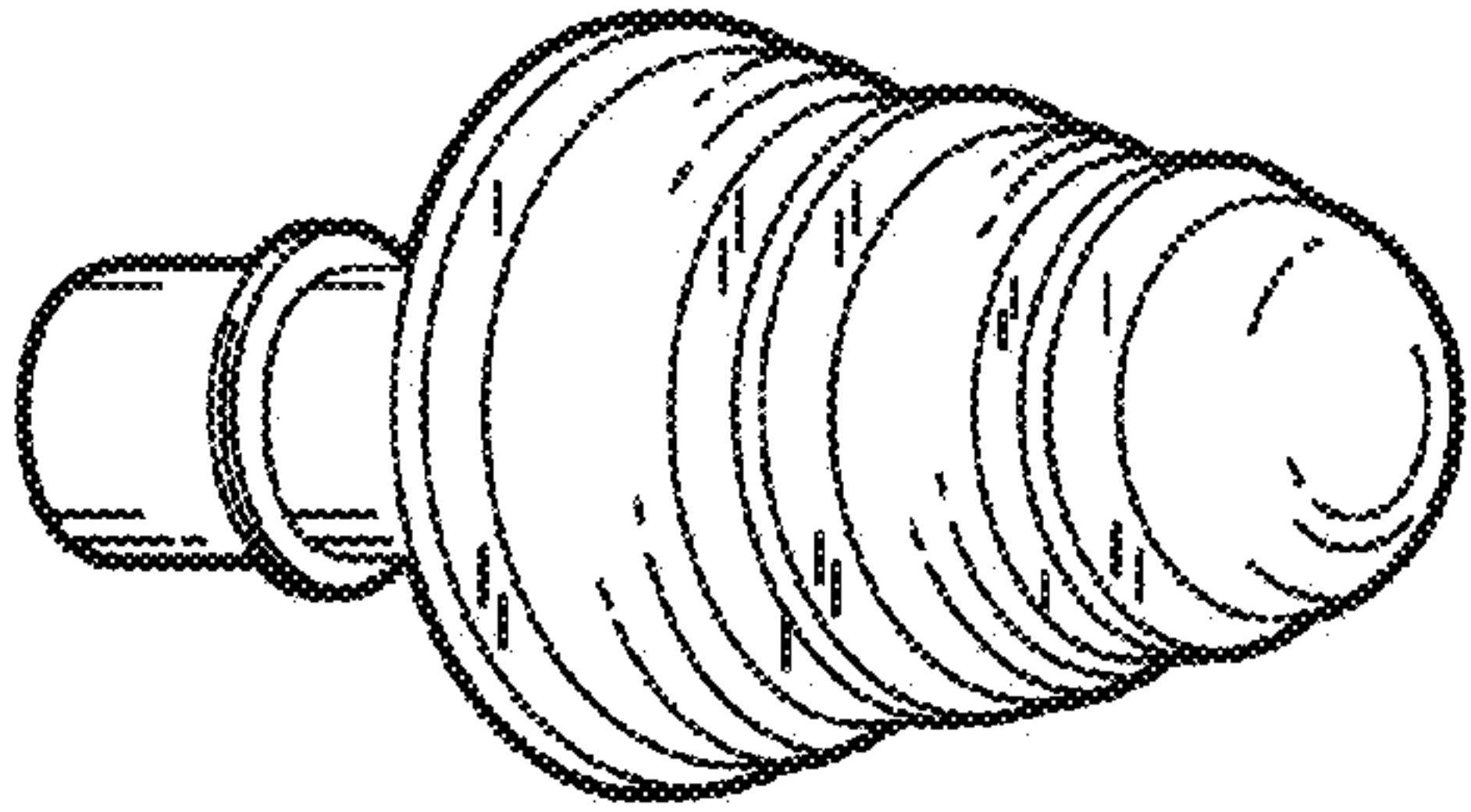


FIG. 2

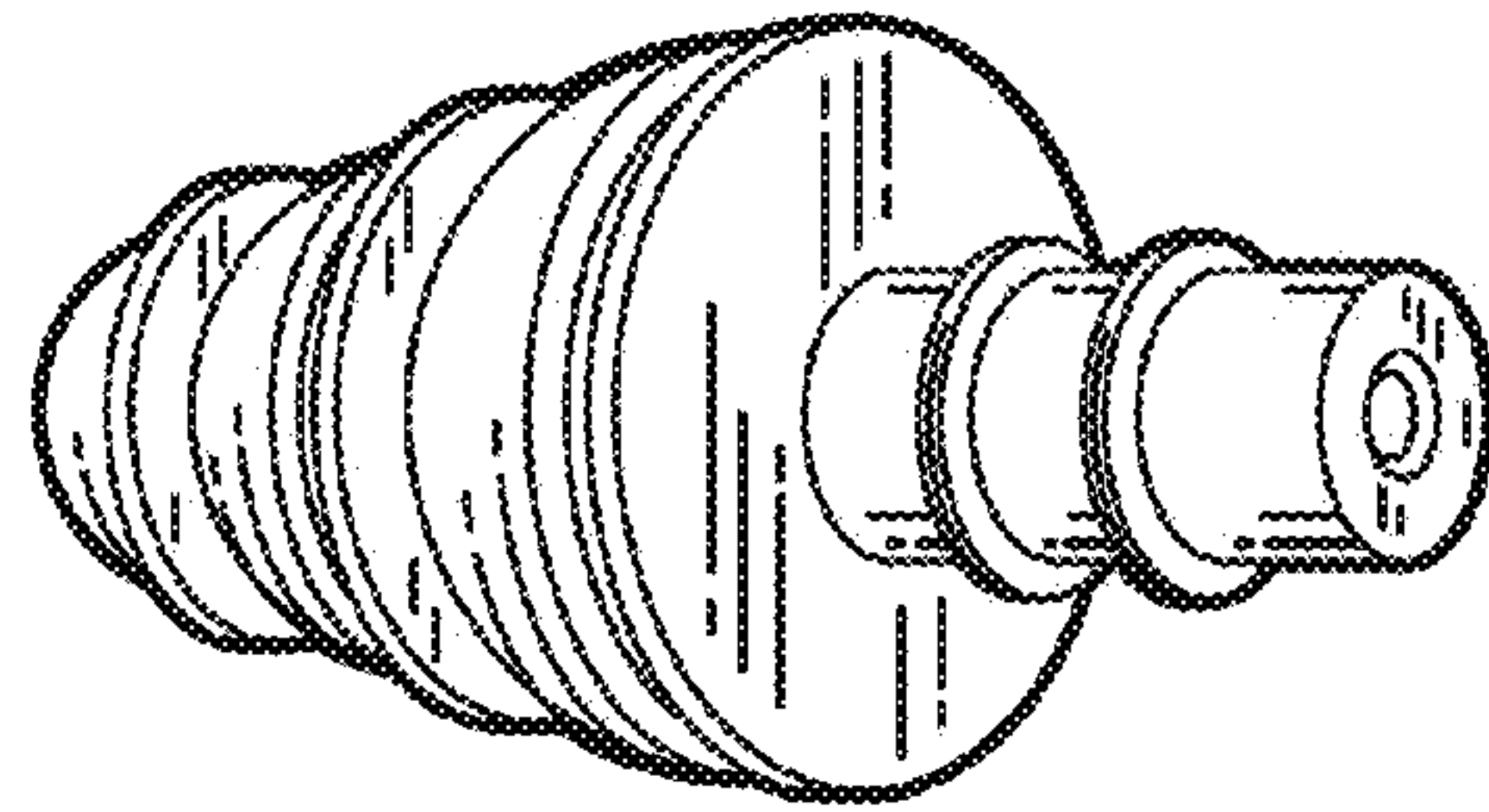


FIG. 3

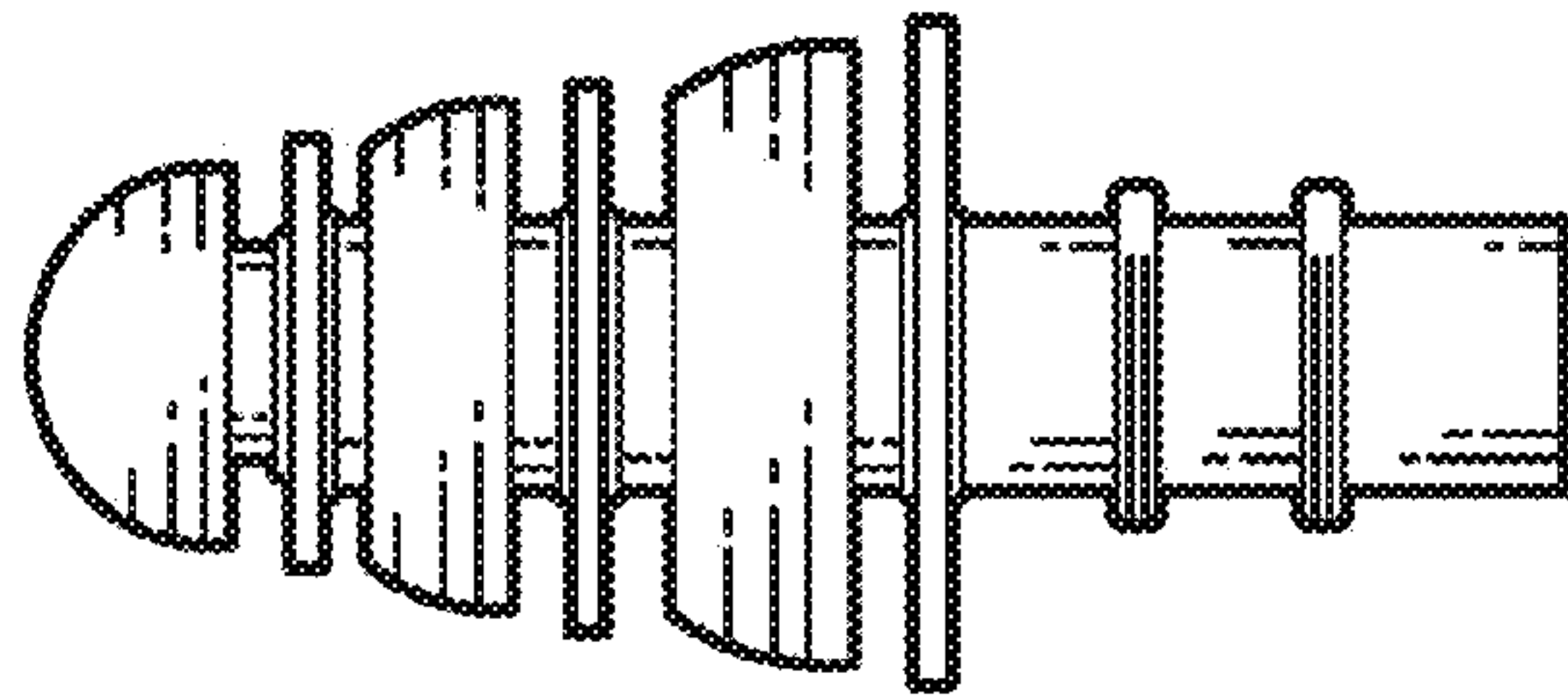


FIG. 4



FIG. 5

