



US00D739518S

(12) **United States Design Patent**  
**Butler**

(10) **Patent No.:** **US D739,518 S**

(45) **Date of Patent:** **\*\* Sep. 22, 2015**

- (54) **EARPLUG**
- (71) Applicant: **Bumble BE Holdings, LLC**, Los Angeles, CA (US)
- (72) Inventor: **Steven Daniel Butler**, Torrance, CA (US)
- (73) Assignee: **Bumble BE Holdings, LLC**, Los Angeles, CA (US)
- (\*\*) Term: **14 Years**
- (21) Appl. No.: **29/492,268**
- (22) Filed: **May 29, 2014**
- (51) **LOC (10) Cl.** ..... **24-04**
- (52) **U.S. Cl.**  
USPC ..... **D24/106**
- (58) **Field of Classification Search**  
USPC ..... D24/106, 173, 174; D14/205, 206, 223; D29/112  
CPC .... A61F 11/08; A61F 11/10; A61F 2011/085  
See application file for complete search history.

D437,048 S	1/2001	Hirshfeld	
6,264,870 B1	7/2001	Hakansson	
6,440,339 B1	8/2002	Magidson et al.	
D481,118 S	10/2003	Doty et al.	
D492,766 S *	7/2004	Falco	D24/106
D512,141 S	11/2005	Mishkin et al.	
6,981,504 B2	1/2006	Jenkins, Jr.	
D521,637 S	5/2006	Yang	
D529,169 S	9/2006	Ryan	
7,107,993 B2	9/2006	Magidson	
D535,644 S	1/2007	Drambarean et al.	
D536,089 S	1/2007	Magidson et al.	
D539,415 S *	3/2007	Fleming	D24/106
7,305,992 B2	12/2007	Fleming	
7,314,047 B2	1/2008	Falco	
D591,732 S *	5/2009	Burton	D14/223
D592,300 S *	5/2009	Yeh	D24/106
7,537,011 B2	5/2009	Falco	
D806,189	12/2009	Lajtal	
7,697,706 B2	4/2010	Doty	
D624,999 S	10/2010	Turdjian et al.	
7,819,121 B2 *	10/2010	Amer	128/842
7,967,015 B2	6/2011	Jenkins, Jr.	
7,984,716 B2	7/2011	Purcell et al.	

(Continued)

*Primary Examiner* — Ian Simmons  
*Assistant Examiner* — Richelle G Shelton  
 (74) *Attorney, Agent, or Firm* — Risso & Associate

(56) **References Cited**

U.S. PATENT DOCUMENTS

D195,322 S *	5/1963	Hill	D24/106
D239,416 S *	3/1976	Visor	D24/106
D259,279 S *	5/1981	Takeda	D24/106
4,774,938 A	10/1988	Leight	
4,867,149 A	9/1989	Falco	
5,036,681 A	8/1991	Schaerer	
5,113,967 A	5/1992	Killion et al.	
5,819,745 A *	10/1998	Mobley et al.	128/864
5,904,143 A	5/1999	Magidson et al.	
5,957,136 A	9/1999	Magidson et al.	
5,988,313 A	11/1999	Hakansson	
6,006,857 A	12/1999	Leight et al.	
D427,304 S	6/2000	Magidson et al.	
D435,645 S	12/2000	Westerdal	

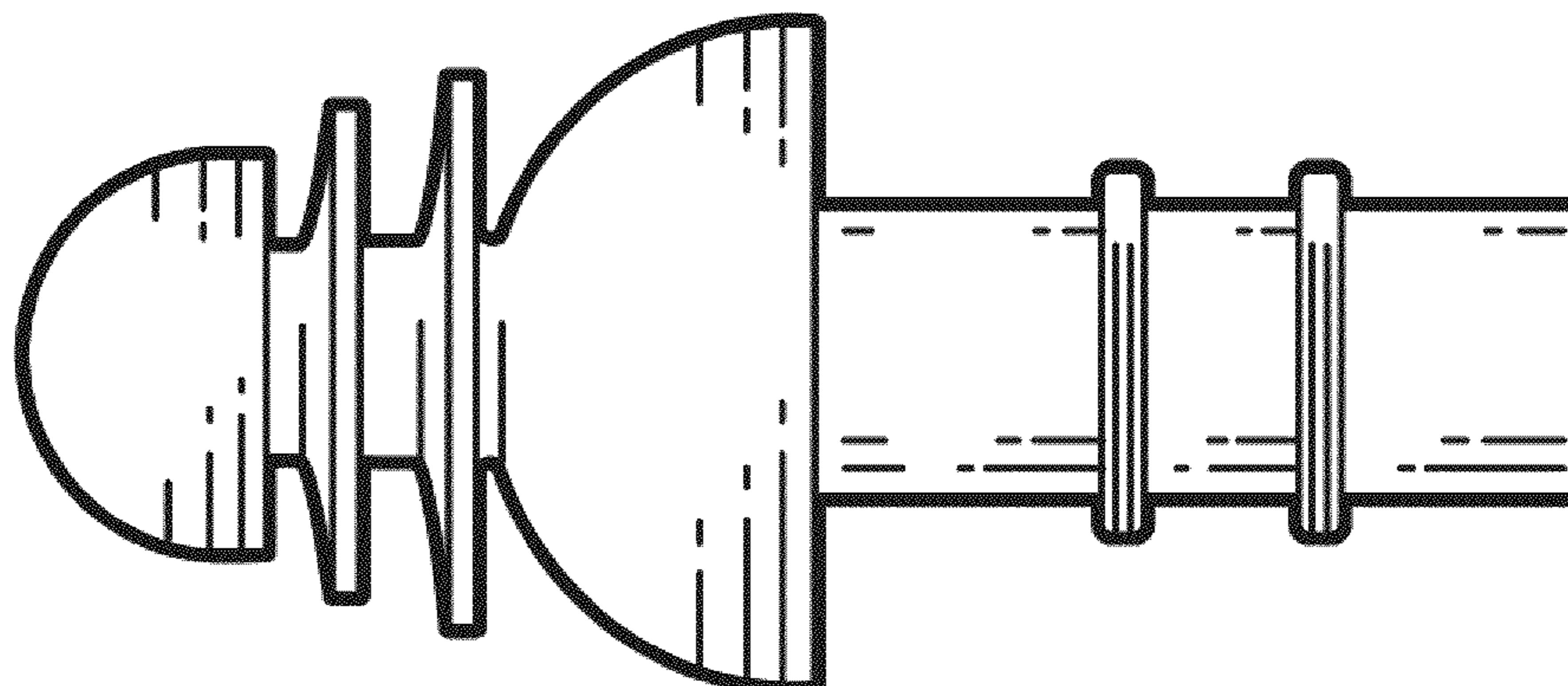
(57) **CLAIM**

The ornamental design for an earplug, as shown and described.

**DESCRIPTION**

FIG. 1 is a left, front-perspective view of an earplug;  
 FIG. 2 is a right, rear-perspective view of the earplug;  
 FIG. 3 is a right, side-view of the earplug, with the right, side-view being a mirror image thereof;  
 FIG. 4 is a rear-view of the earplug; and,  
 FIG. 5 is a front-view of the earplug.

**1 Claim, 1 Drawing Sheet**



(56)

**References Cited**

U.S. PATENT DOCUMENTS

D651,302 S *	12/2011	Falco	.....	D24/106	2003/0172938 A1 *	9/2003	Falco	.....	128/864
8,113,207 B2	2/2012	Gehling et al.			2006/0102418 A1	5/2006	Magidson		
8,161,975 B2	4/2012	Turdjian			2007/0183606 A1 *	8/2007	Doty	.....	381/72
8,479,744 B2 *	7/2013	Fleming	.....	128/864	2010/0294285 A1	11/2010	Turdjian		
2002/0066455 A1 *	6/2002	Falco	.....	128/864	2012/0073583 A1	3/2012	Turdjian		
					2012/0199143 A1	8/2012	Turdjian et al.		
					2012/0272974 A1	11/2012	Magidson et al.		

\* cited by examiner

FIG. 1

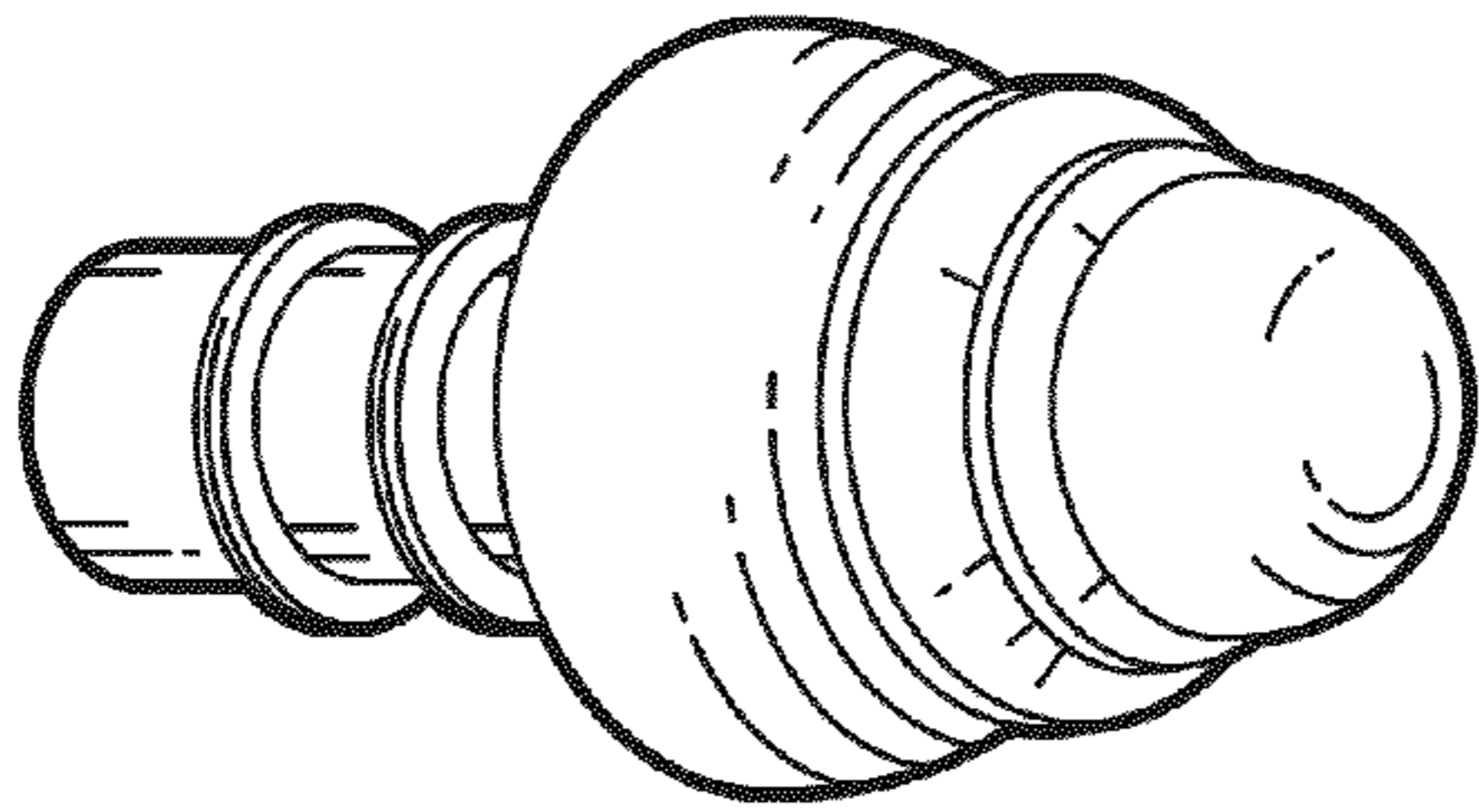


FIG. 2

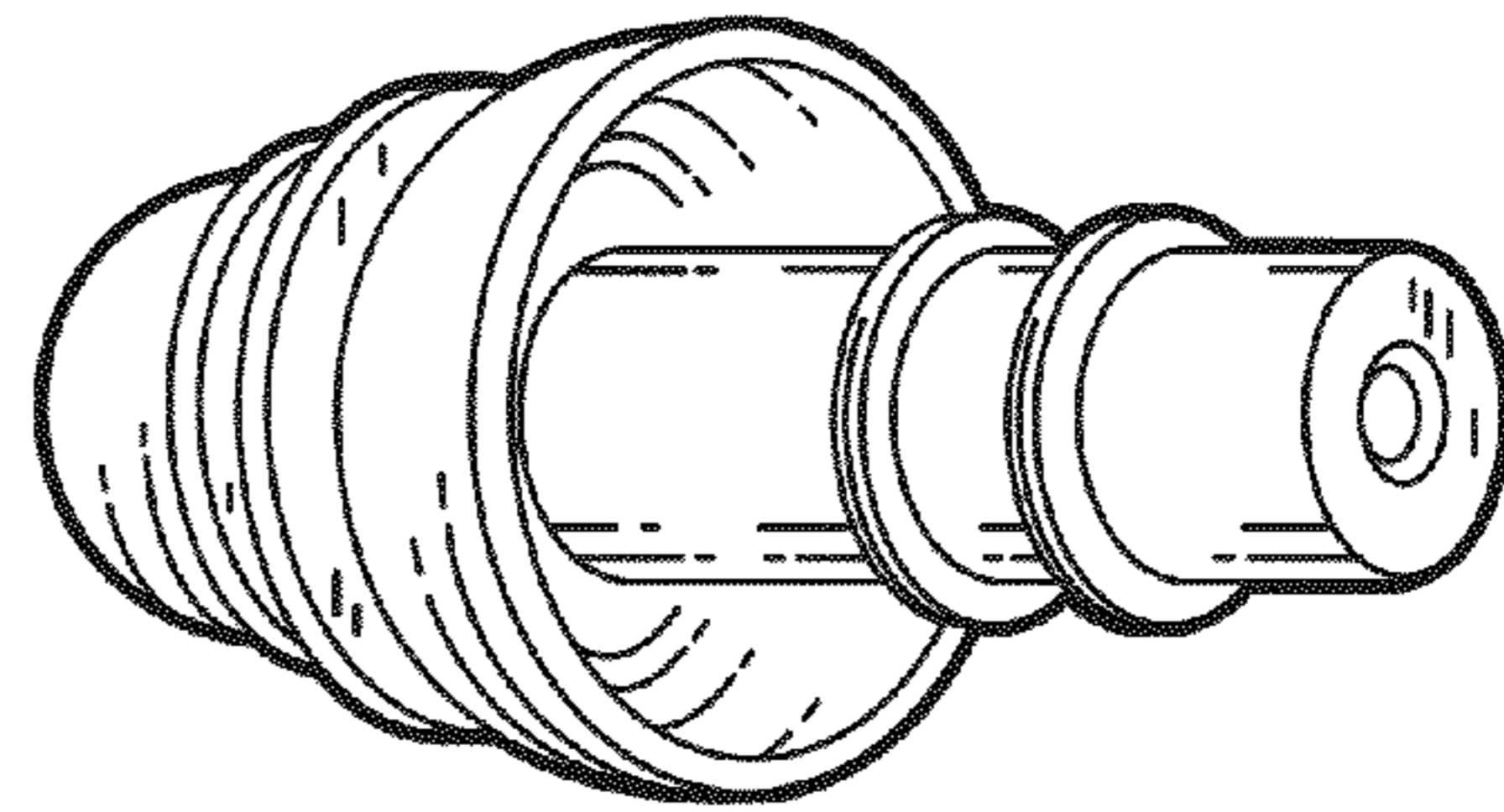


FIG. 3

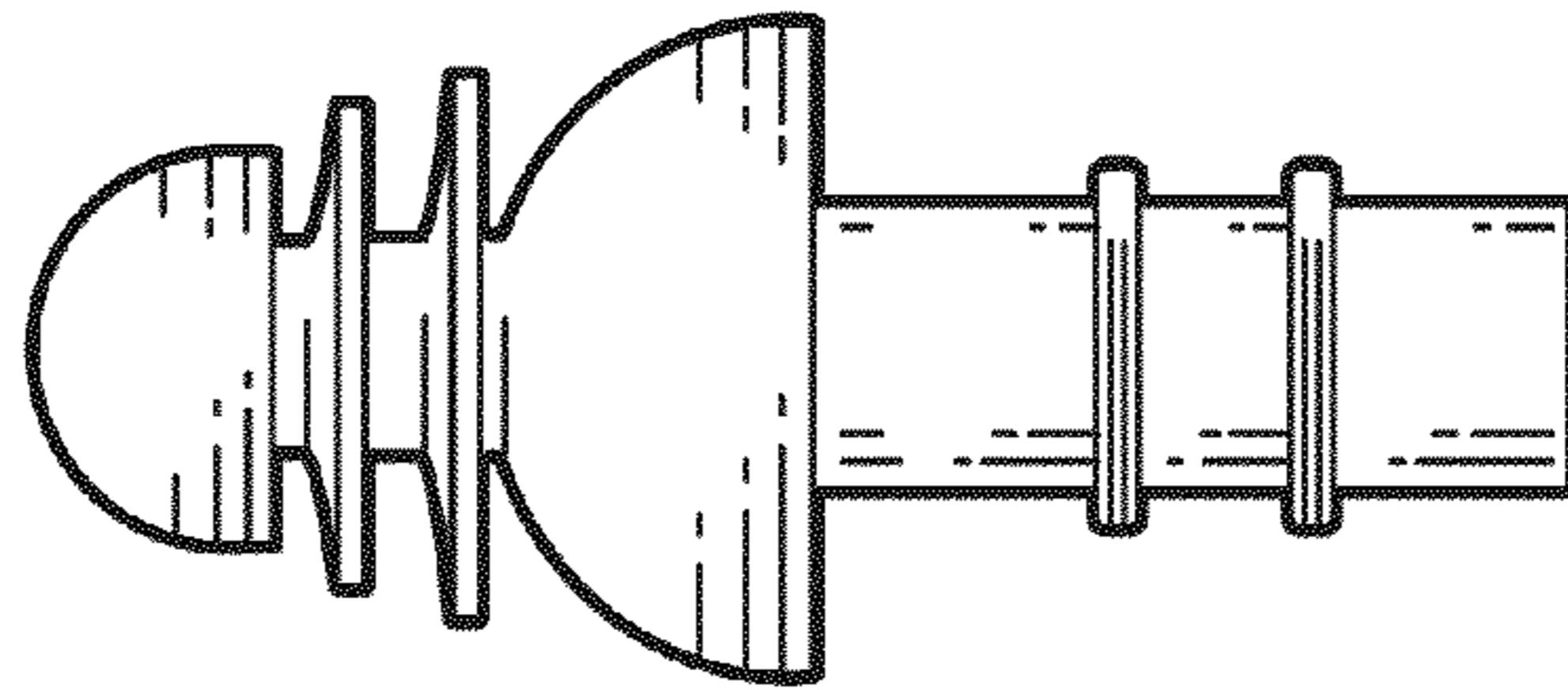


FIG. 4

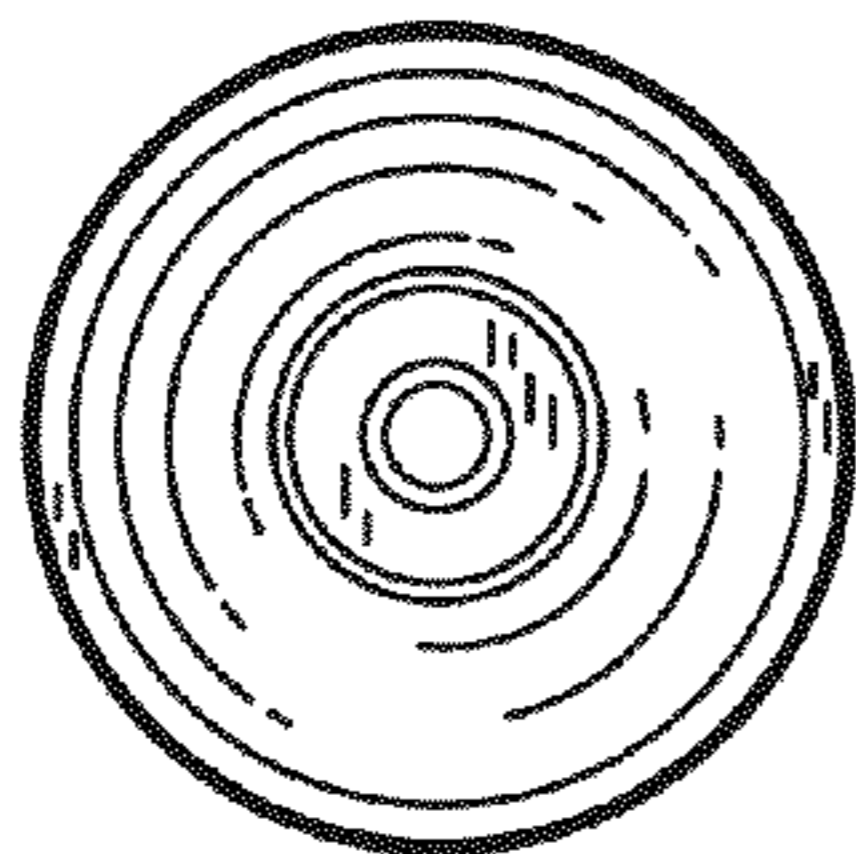


FIG. 5

