

US00D739514S

(12) **United States Design Patent**
Argentini et al.

(10) **Patent No.:** **US D739,514 S**

(45) **Date of Patent:** **** *Sep. 22, 2015**

(54) **HOOD FOR A BURNER**

(75) Inventors: **Gianluca Argentini**, Legnago (IT);
Michele Bedoni, Legnago (IT); **Rodolfo**
Frascoli, Legnago (IT)

(73) Assignee: **RIELLO S.p.A.**, Legnago (IT)

(*) Notice: This patent is subject to a terminal disclaimer.

(**) Term: **14 Years**

(21) Appl. No.: **29/416,552**

(22) Filed: **Mar. 23, 2012**

(30) **Foreign Application Priority Data**

Feb. 3, 2012 (EM) 001312904

(51) **LOC (10) Cl.** **23-04**

(52) **U.S. Cl.**
USPC **D23/386**

(58) **Field of Classification Search**
USPC D23/385-395, 397, 370-373, 365, 354,
D23/399-403, 421, 499; 454/309, 275-277,
454/284, 287-291, 358-363; 52/302.1,
52/32.07; 285/229, 189, 183, 123.1, 15,
285/114, 110, 424, 197; 126/299 R-299 F
See application file for complete search history.

(56) **References Cited**

U.S. PATENT DOCUMENTS

D315,204 S * 3/1991 Fleming et al. D23/372
D399,938 S * 10/1998 Miller et al. D23/370

D409,738 S * 5/1999 Schwede D23/370
D453,559 S * 2/2002 Mutchnik et al. D23/354
D534,643 S * 1/2007 Lange D23/370
D537,931 S * 3/2007 Kashimura D23/372
D558,322 S * 12/2007 Lebeuf et al. D23/372
D566,822 S * 4/2008 Blanchette et al. D23/372
D567,929 S * 4/2008 Tse D23/372
D592,741 S * 5/2009 Miura D23/372
D604,827 S * 11/2009 Lin D23/372
D629,093 S * 12/2010 Polston D23/373
D672,450 S * 12/2012 Milks et al. D23/387

* cited by examiner

Primary Examiner — David Muller

(74) *Attorney, Agent, or Firm* — Davidson Berquist Jackson
& Gowdey LLP

(57) **CLAIM**

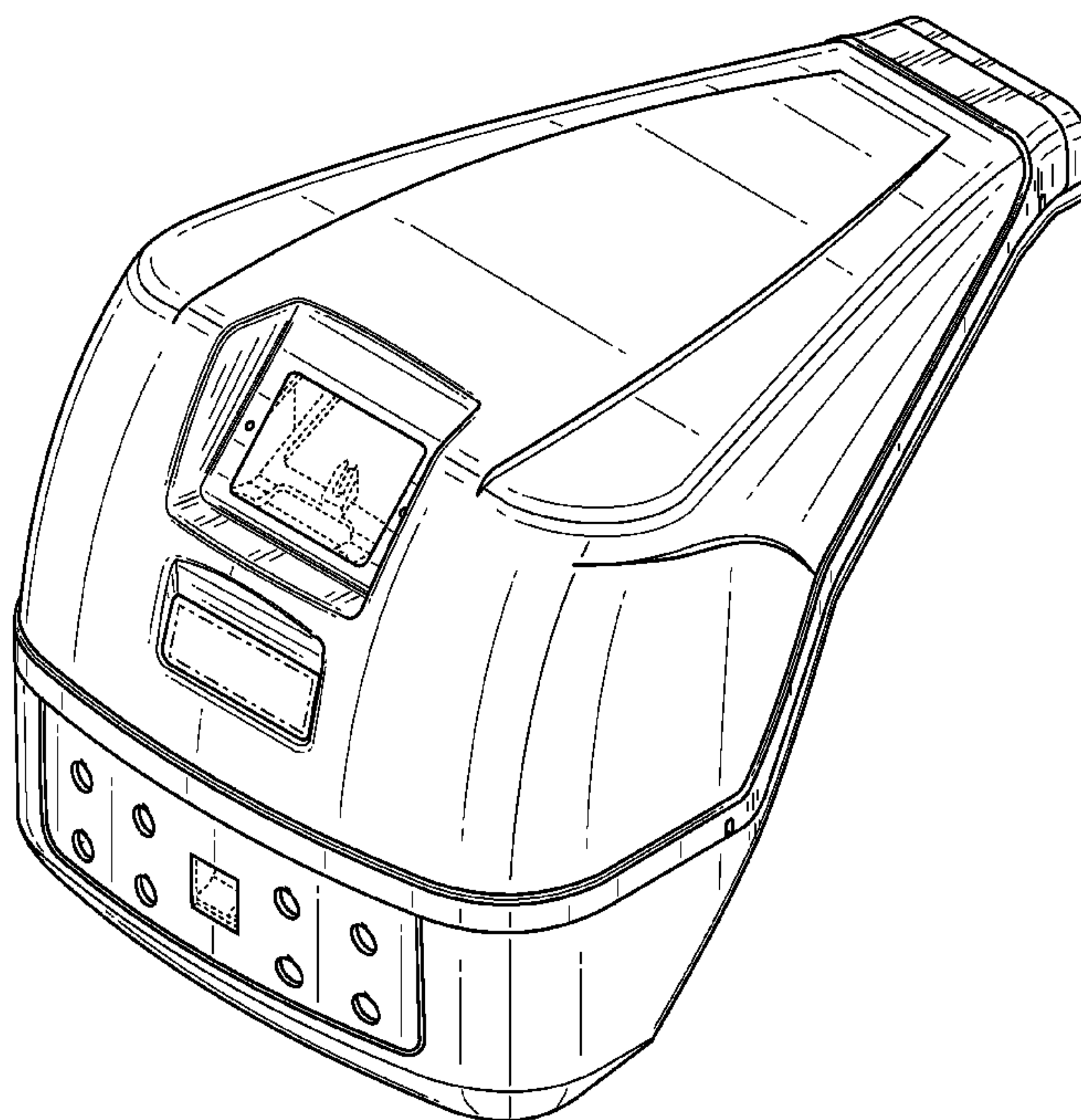
The ornamental design for a hood for a burner, as shown and described.

DESCRIPTION

FIG. 1 a perspective view of a hood for burners according to the present design;
FIG. 2 is a front view thereof;
FIG. 3 is a rear view thereof;
FIG. 4 is a right lateral view thereof;
FIG. 5 is a left lateral view thereof;
FIG. 6 is a top view thereof; and,
FIG. 7 is a bottom view thereof.

The dash dot lines immediately adjacent to the claimed areas represent the boundaries of the claimed design. The dashed lines in the figures illustrate the portions of the design that form no part of the claimed design. None of the broken lines form any part of the claimed design.

1 Claim, 7 Drawing Sheets



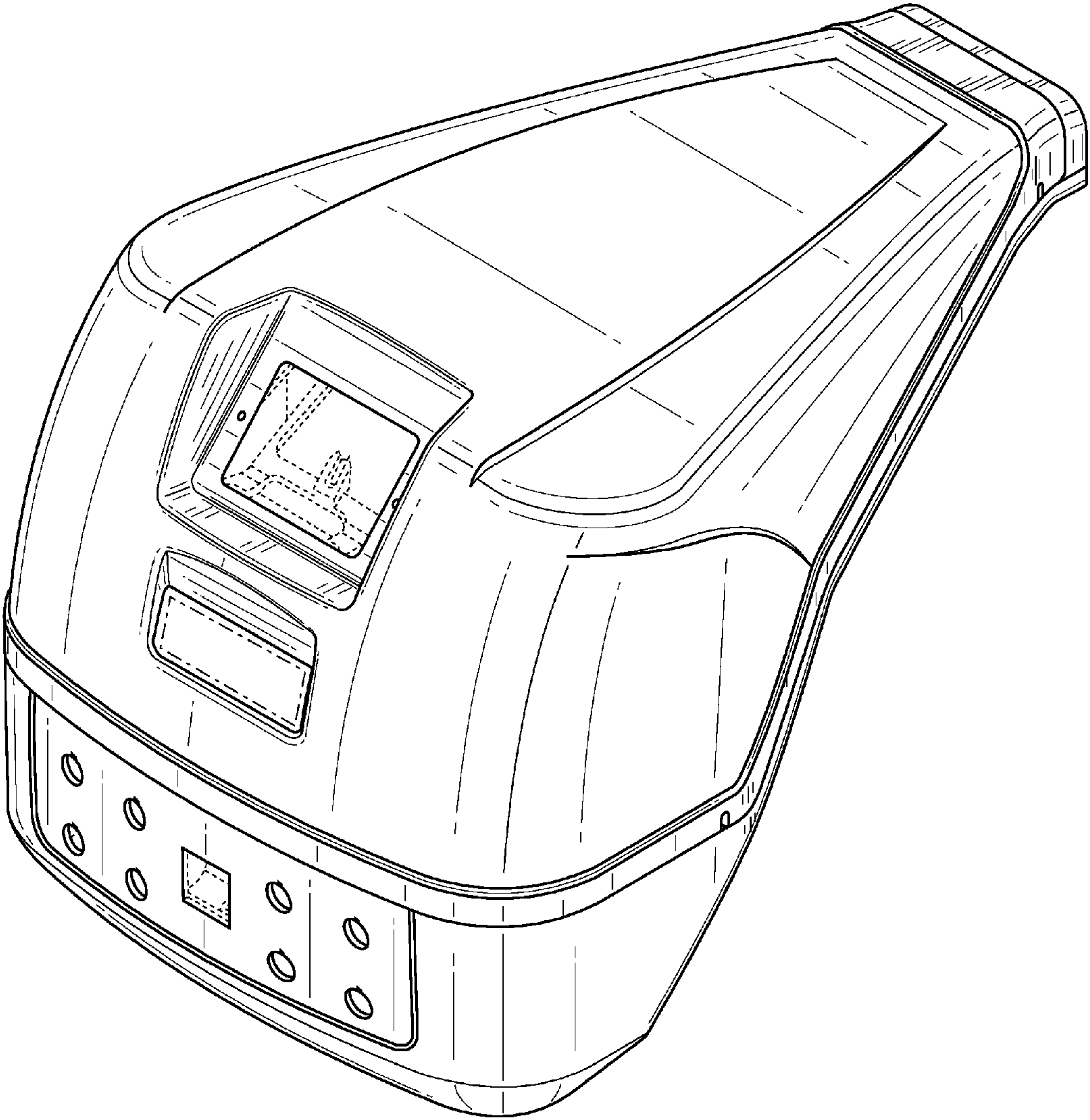


FIG. 1

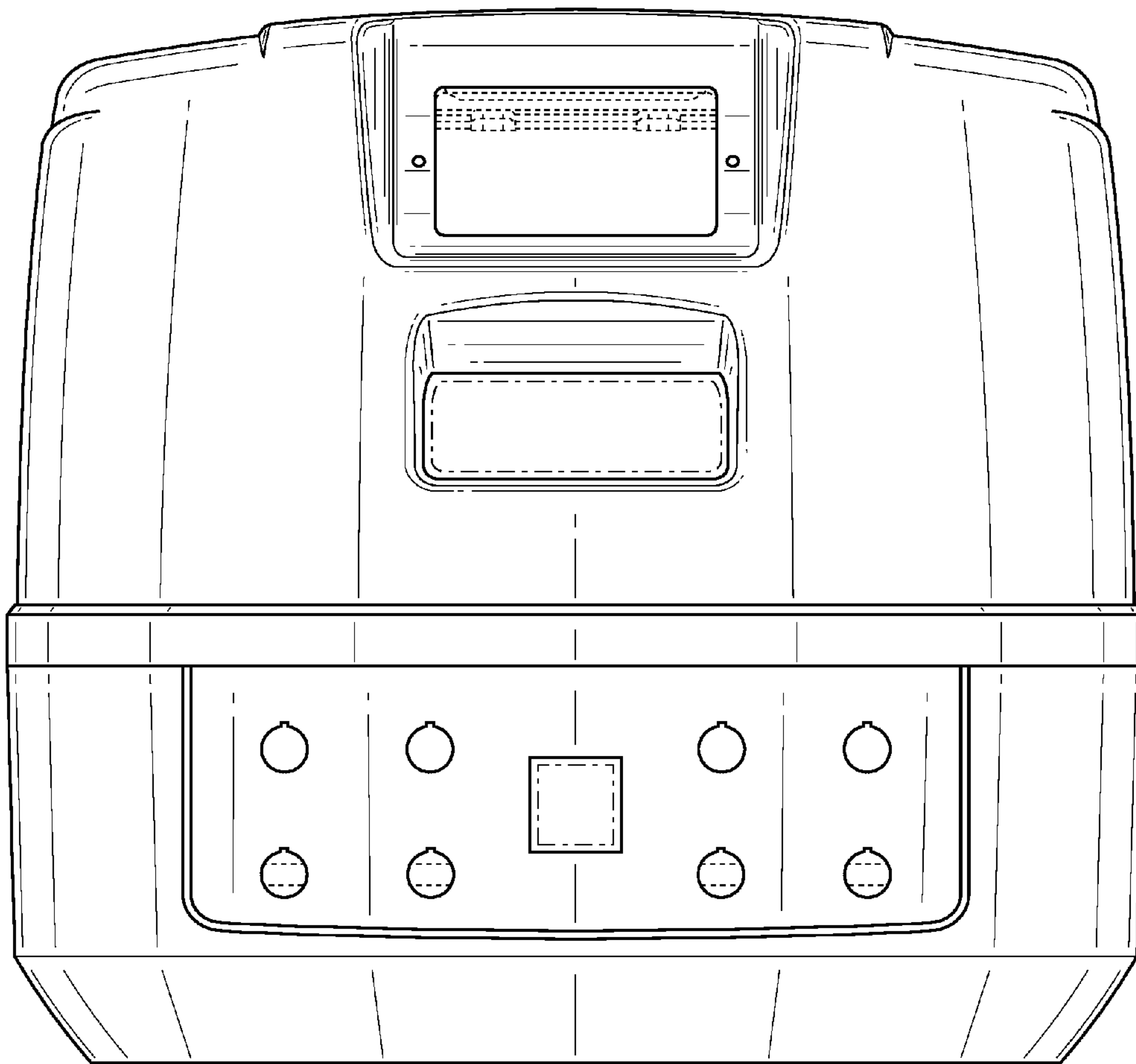


FIG. 2

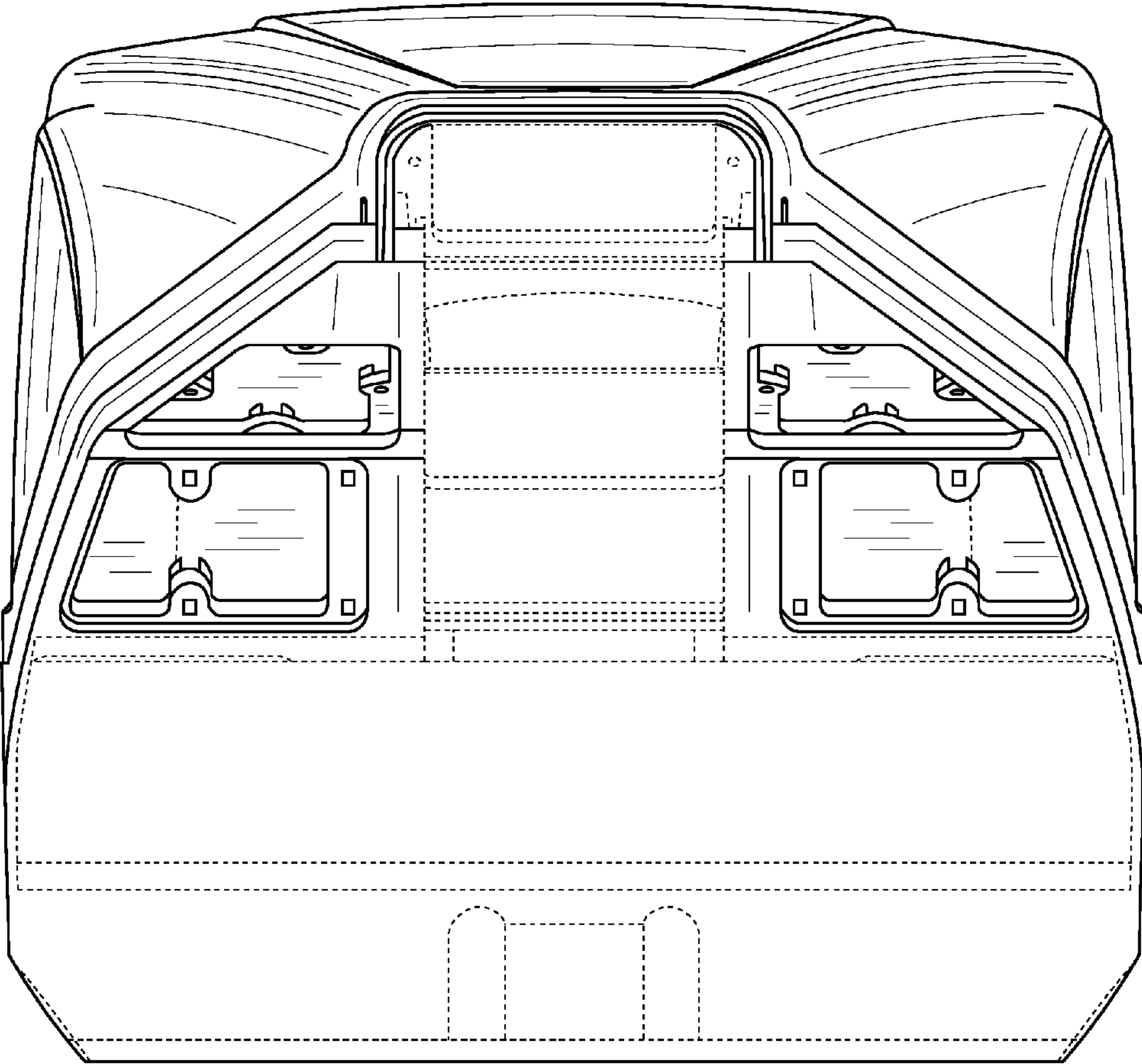


FIG. 3

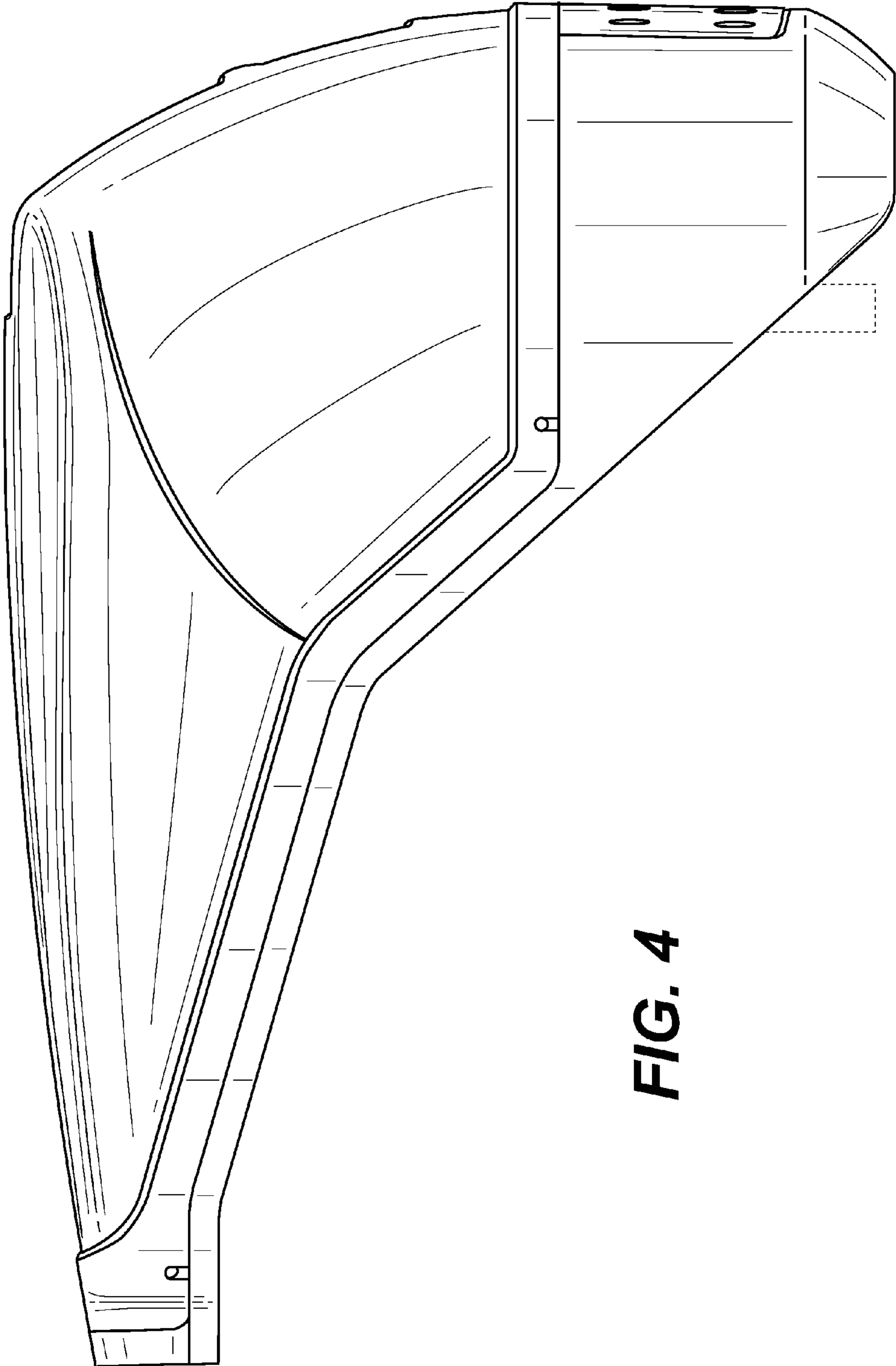


FIG. 4

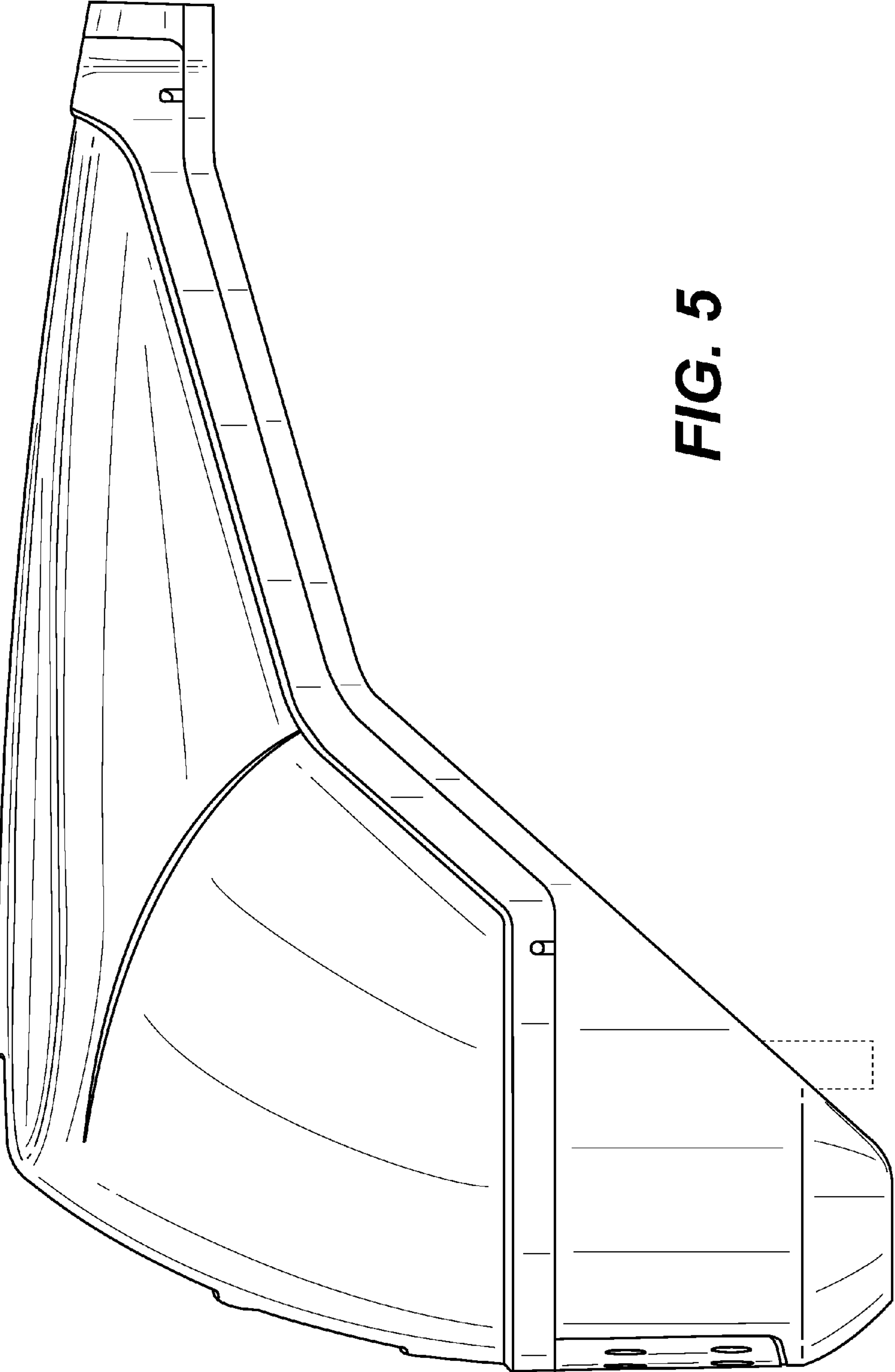


FIG. 5

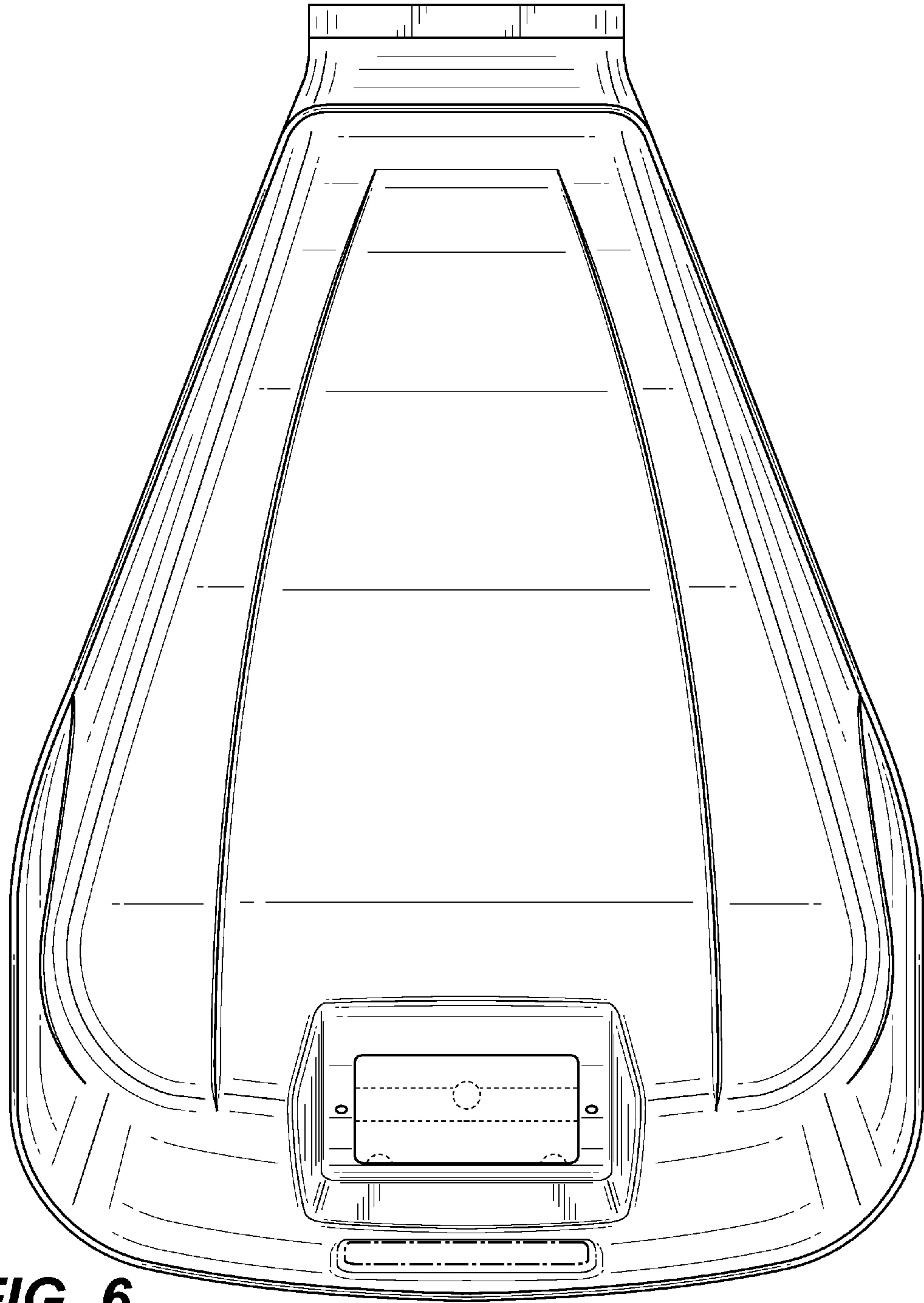


FIG. 6

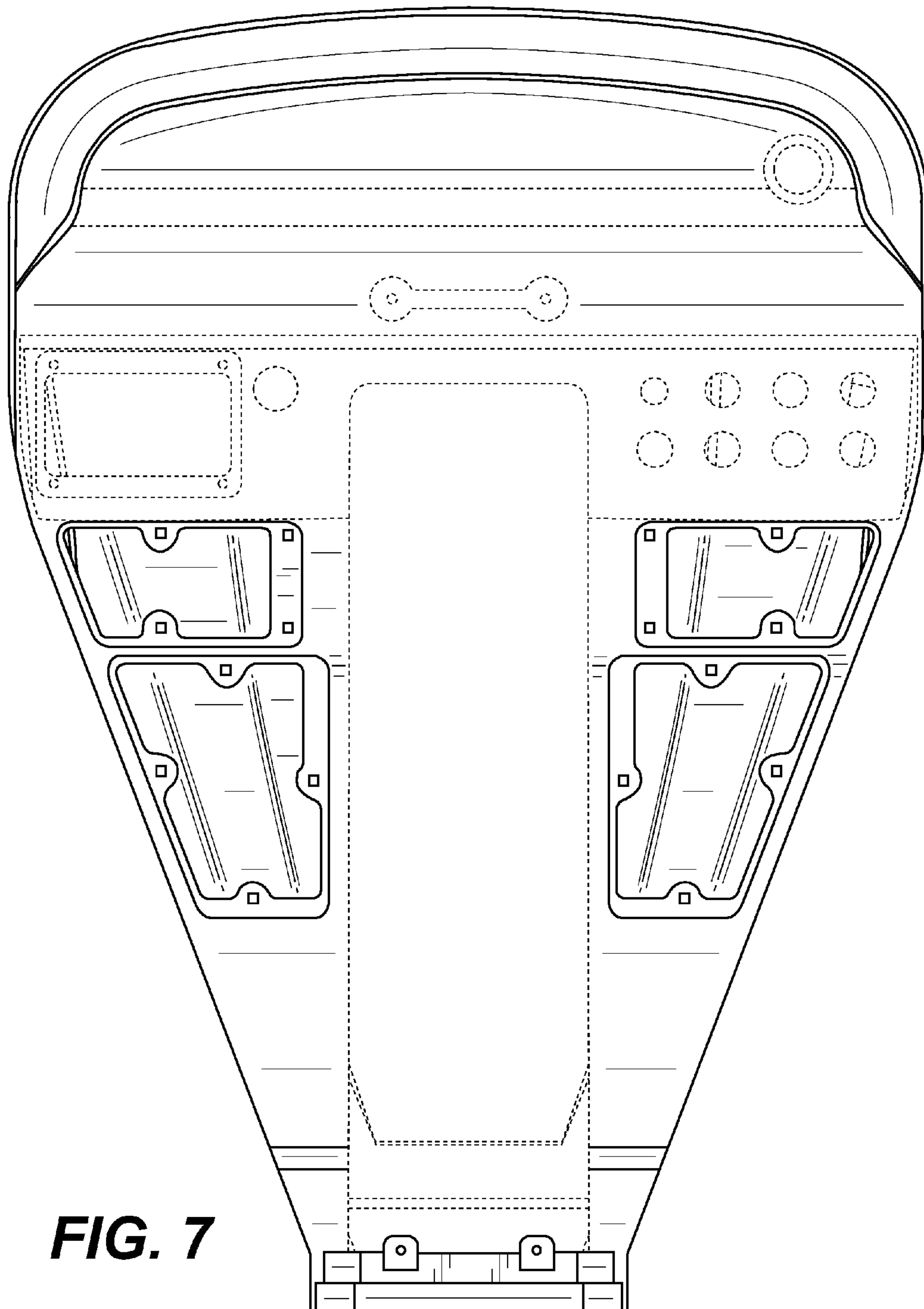


FIG. 7