



US00D739513S

(12) **United States Design Patent**
Williams et al.

(10) **Patent No.:** **US D739,513 S**
(45) **Date of Patent:** **** Sep. 22, 2015**

(54) **AIR FILTER**

(71) Applicants: **Steve Williams**, Beaumont, CA (US);
Jere James Wall, Helendale, CA (US)

(72) Inventors: **Steve Williams**, Beaumont, CA (US);
Jere James Wall, Helendale, CA (US)

(73) Assignee: **K&N Engineering, Inc.**, Riverside, CA
(US)

(**) Term: **14 Years**

(21) Appl. No.: **29/461,216**

(22) Filed: **Jul. 19, 2013**

(51) **LOC (10) Cl.** **23-04**

(52) **U.S. Cl.**
USPC **D23/365**

(58) **Field of Classification Search**
USPC D23/365, 209, 363, 358, 386, 354, 341,
D23/364; 55/385.3, 502, 497, 506, 505,
55/521, 495, 422, 493, DIG. 30; 210/435,
210/130, 136, 248, 339, 448, 452, 497.1;
D32/31; D15/5
CPC .. B01D 46/00; B01D 46/0004; B01D 46/521;
B01D 46/523; B01D 46/525
See application file for complete search history.

(56) **References Cited**

U.S. PATENT DOCUMENTS

4,647,373 A * 3/1987 Tokar et al. 55/521
D294,167 S * 2/1988 Meissner D23/209

4,878,930 A * 11/1989 Manniso et al. 55/493
D400,323 S * 10/1998 Scanlon et al. D32/30
D403,414 S * 12/1998 Shelton et al. D23/365
D440,294 S * 4/2001 Bilek D23/365
6,402,800 B1 * 6/2002 Rey 55/521
D470,216 S * 2/2003 Gustafson et al. D23/209
6,942,708 B2 * 9/2005 Peter et al. 55/385.3
7,374,595 B2 * 5/2008 Gierer 55/502
7,628,837 B2 * 12/2009 Ehrenberg 55/502
7,879,125 B2 * 2/2011 Haberkamp et al. 55/521
D652,497 S * 1/2012 Troxell et al. D23/365

* cited by examiner

Primary Examiner — David Muller

(74) *Attorney, Agent, or Firm* — Rutan & Tucker LLP; Hani
Z. Sayed

(57) **CLAIM**

The ornamental design for a air filter, as shown and described.

DESCRIPTION

FIG. 1 is an upper perspective view of the air filter of the present invention;
FIG. 2 is a top plan view thereof;
FIG. 3 is a bottom plan view thereof;
FIG. 4 is a front elevation view thereof the other elevation views being substantially similar; and,
FIG. 5 is a top, front, right side exploded perspective view thereof.
The broken line showing of parts of the drawings is included for the purpose of illustrating use and environment and forms no part of the claimed design.

1 Claim, 4 Drawing Sheets

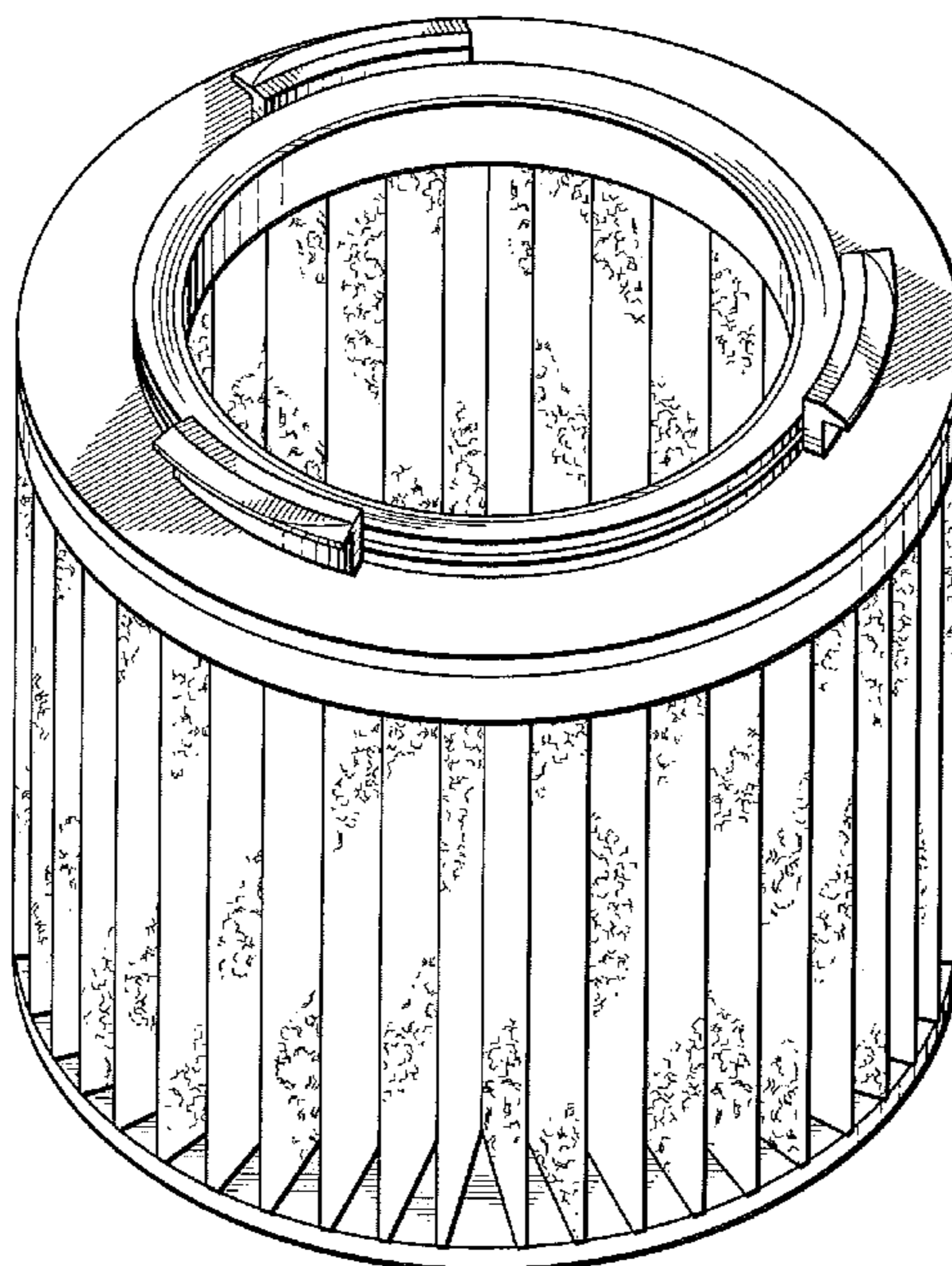
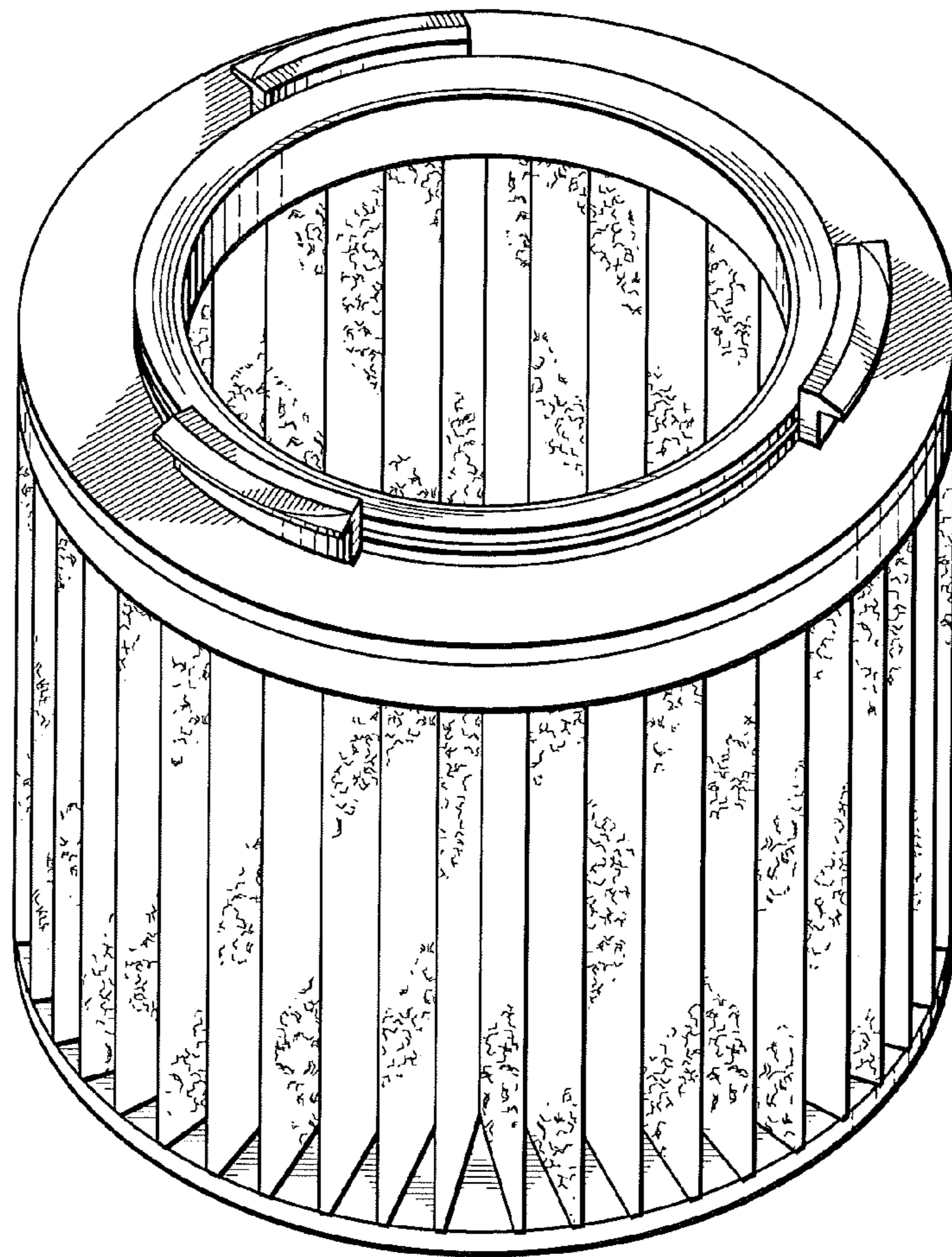


FIG. 1



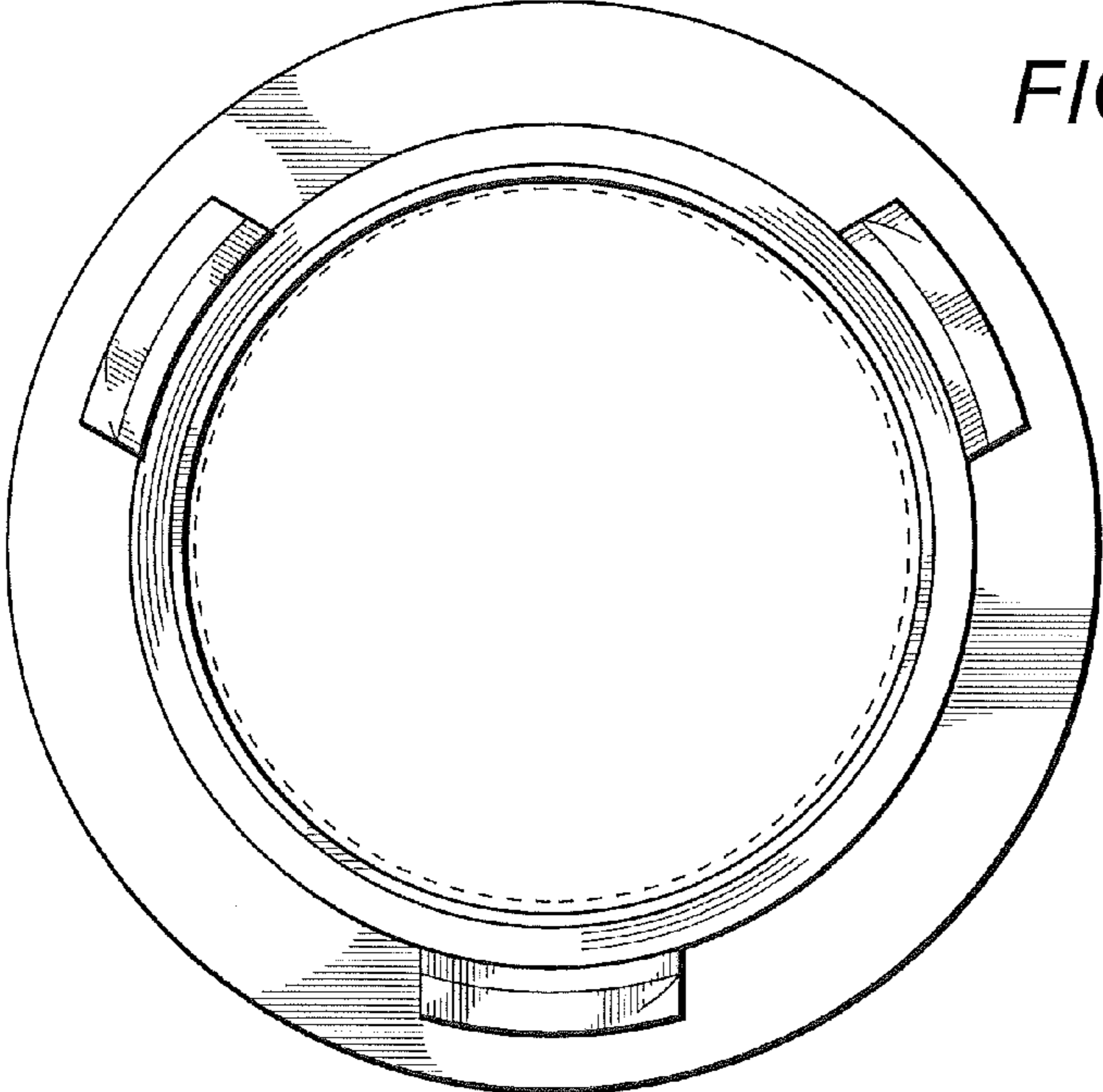


FIG. 2

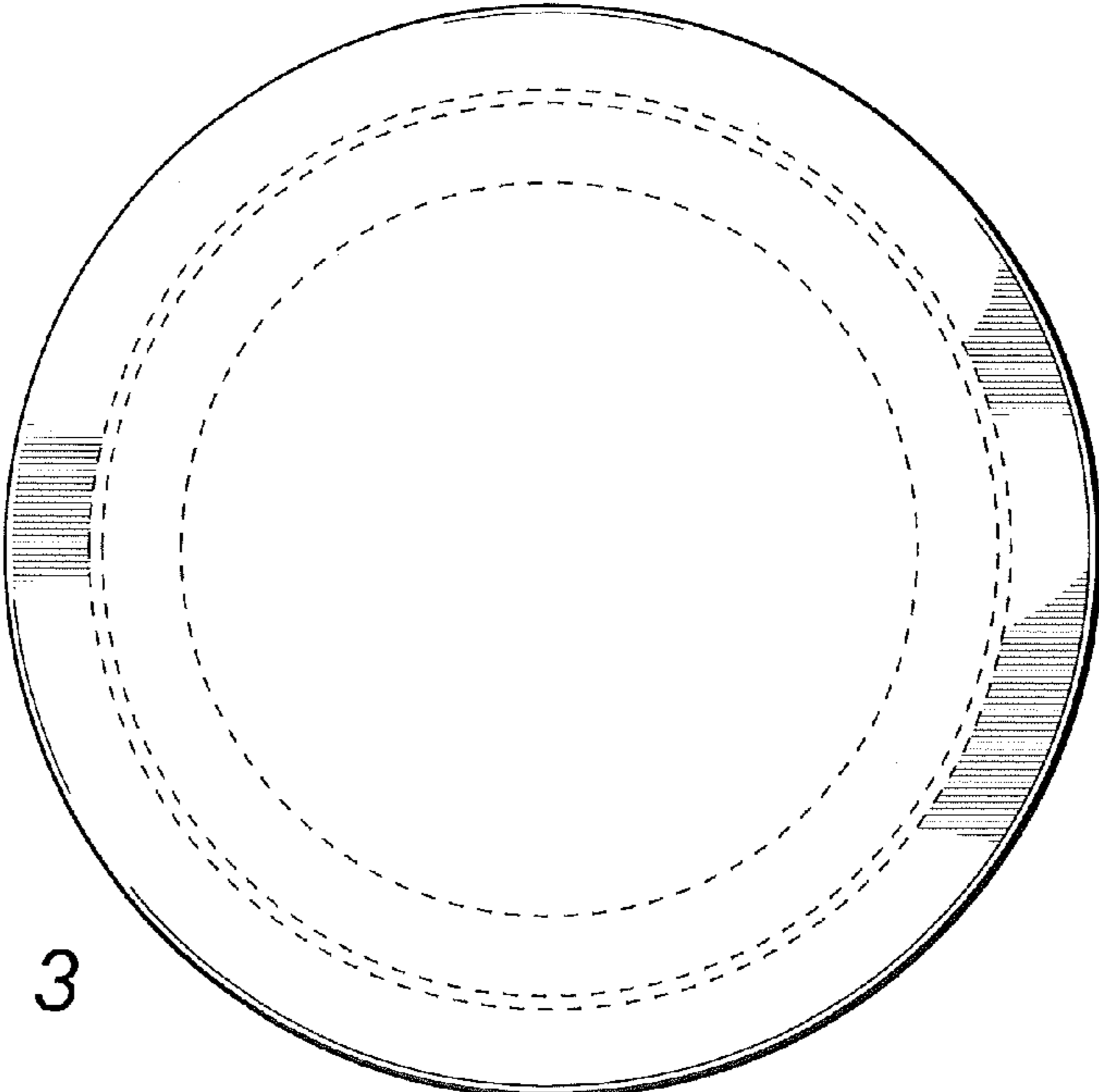


FIG. 3

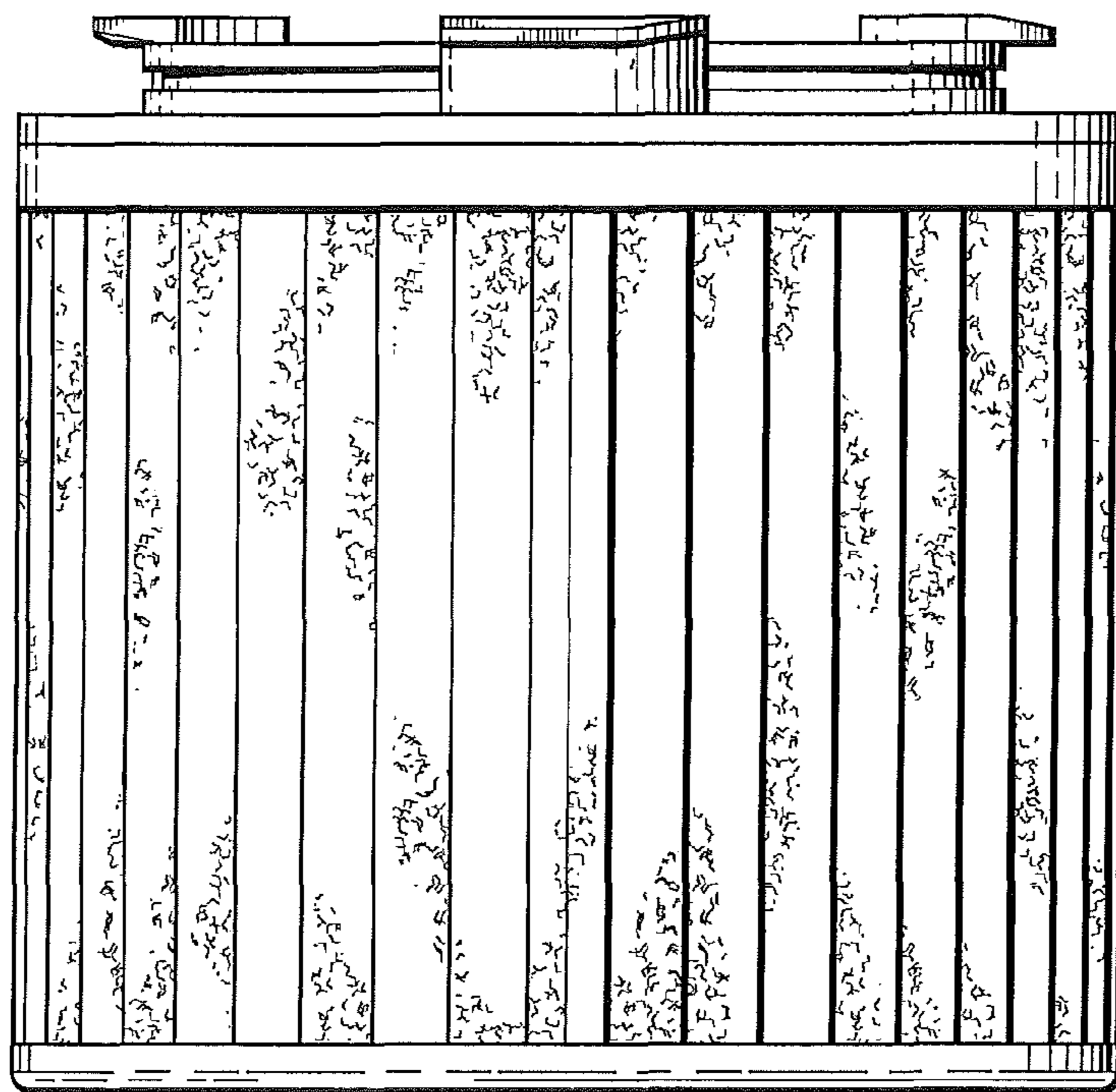


FIG. 4

FIG. 5

