



US00D739509S

(12) **United States Design Patent**
Bazemore

(10) **Patent No.:** **US D739,509 S**

(45) **Date of Patent:** **** Sep. 22, 2015**

(54) **L-TYPE PIPE FITTING**

(71) Applicant: **Jay Bazemore**, Huntington, WV (US)

(72) Inventor: **Jay Bazemore**, Huntington, WV (US)

(**) Term: **14 Years**

(21) Appl. No.: **29/454,843**

(22) Filed: **May 14, 2013**

(51) **LOC (10) Cl.** **23-01**

(52) **U.S. Cl.**
USPC **D23/263**

(58) **Field of Classification Search**
USPC D23/259, 262, 263, 266
CPC F16L 43/00; F16L 43/001; F16L 43/002;
F16L 21/06
See application file for complete search history.

(56) **References Cited**

U.S. PATENT DOCUMENTS

154,760	A *	9/1874	Lupton et al.	285/183
210,434	A *	12/1878	Redett et al.	285/183
782,552	A *	2/1905	Glauber et al.	277/622
D52,954	S *	2/1919	Hubbard et al.	D13/155
1,827,727	A *	10/1931	Blizard	138/37
1,936,805	A *	11/1933	Taylor	285/93
3,200,023	A *	8/1965	Cilker	156/172
3,669,473	A *	6/1972	Martin et al.	285/197
D297,678	S *	9/1988	Sisk	D34/28
5,718,461	A *	2/1998	Esser	285/179
5,918,914	A *	7/1999	Morris	285/351
6,293,098	B1 *	9/2001	Coates	60/322
6,329,493	B1 *	12/2001	El-Hibri et al.	528/125
D466,652	S *	12/2002	Thurman	D23/393
6,520,213	B1 *	2/2003	Esser	138/109

6,626,466	B1 *	9/2003	Dole	285/112
D523,123	S *	6/2006	Wilk et al.	D23/262
D561,302	S *	2/2008	Brockington et al.	D23/262
D575,378	S *	8/2008	Hedlund et al.	D23/262
D615,631	S *	5/2010	Price et al.	D23/263
D634,818	S *	3/2011	Leroyer	D23/263
D634,819	S *	3/2011	Leroyer	D23/263
D723,667	S *	3/2015	Locke	D23/266
D727,472	S *	4/2015	Bednarz et al.	D23/263
D733,266	S *	6/2015	Bednarz et al.	D23/263
2004/0140594	A1 *	7/2004	Liu	264/573
2006/0208486	A1 *	9/2006	Kim	285/364
2008/0216911	A1 *	9/2008	Cha	138/135
2008/0298908	A1 *	12/2008	Esser	406/191
2010/0001521	A1 *	1/2010	Vandal et al.	285/337
2014/0283942	A1 *	9/2014	Ferre et al.	138/151
2015/0159796	A1 *	6/2015	Horiguchi	138/151

* cited by examiner

Primary Examiner — Cathron Brooks

Assistant Examiner — Daniel J Domino

(74) *Attorney, Agent, or Firm* — QuickPatents; Kevin Prince

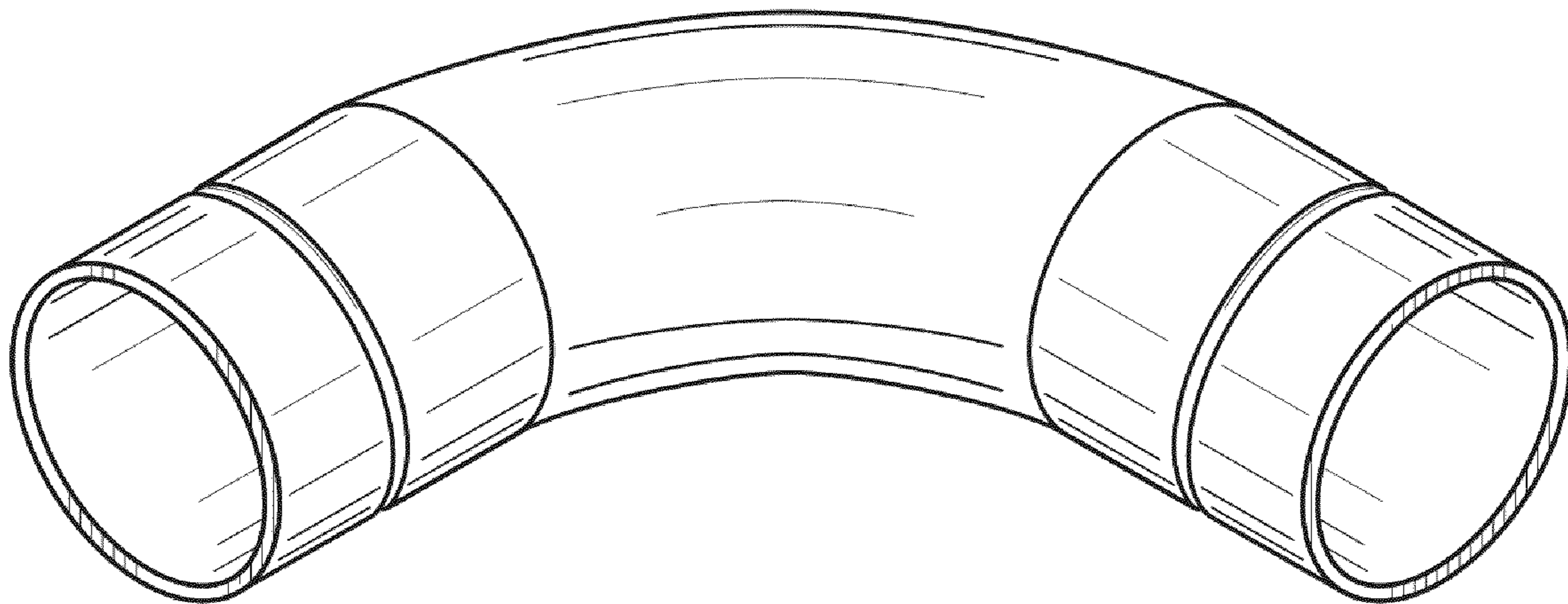
(57) **CLAIM**

I claim the ornamental design for an L-type pipe fitting, as shown and described.

DESCRIPTION

FIG. 1 is a perspective view of an L-type pipe fitting, showing my new design;
FIG. 2 is a front elevational view thereof, the right-side elevational view being a mirror image thereof;
FIG. 3 is a left-side elevational view thereof, the rear elevational view being a mirror image thereof; and,
FIG. 4 is a top plan view thereof, the bottom plan view being a mirror image thereof.

1 Claim, 1 Drawing Sheet



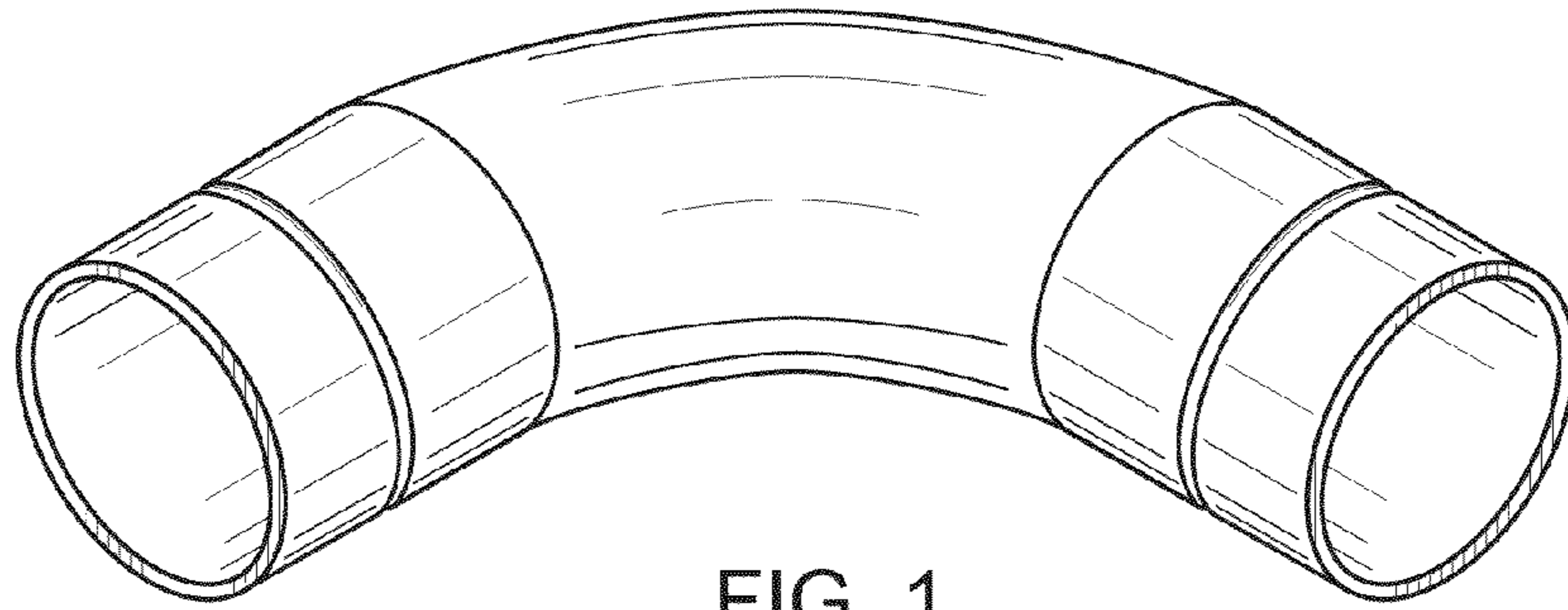


FIG. 1

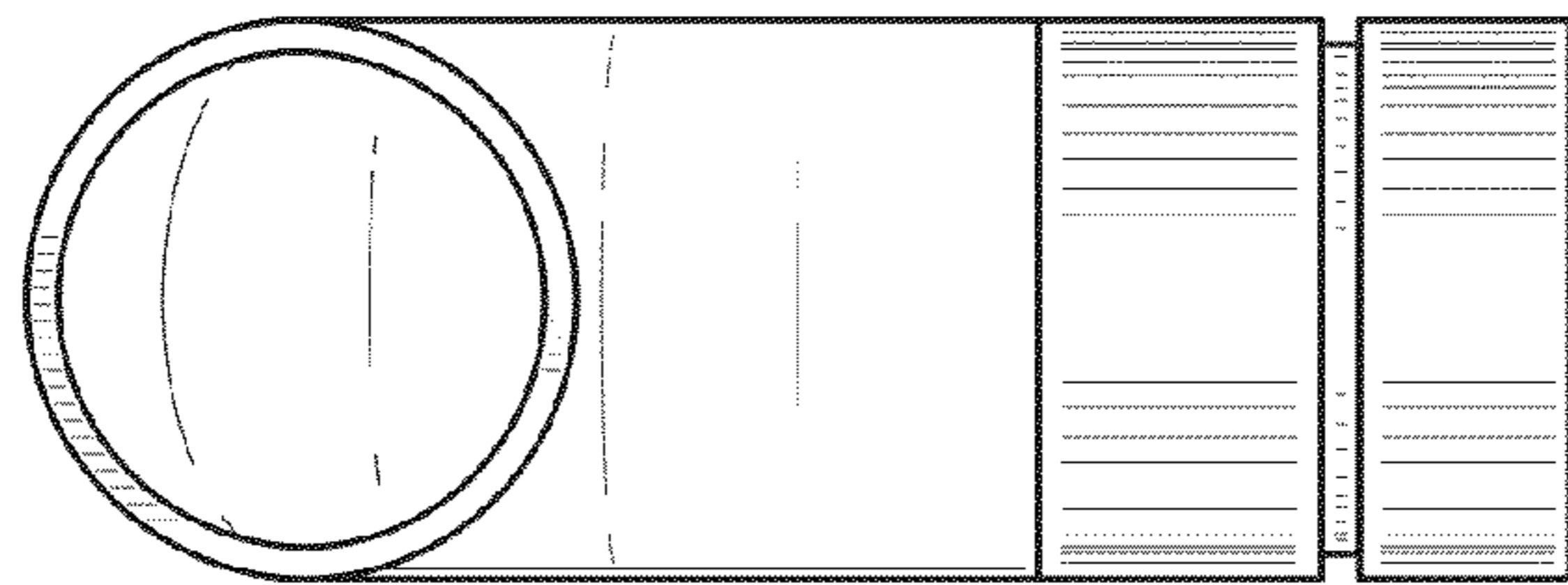


FIG. 2

FIG. 3

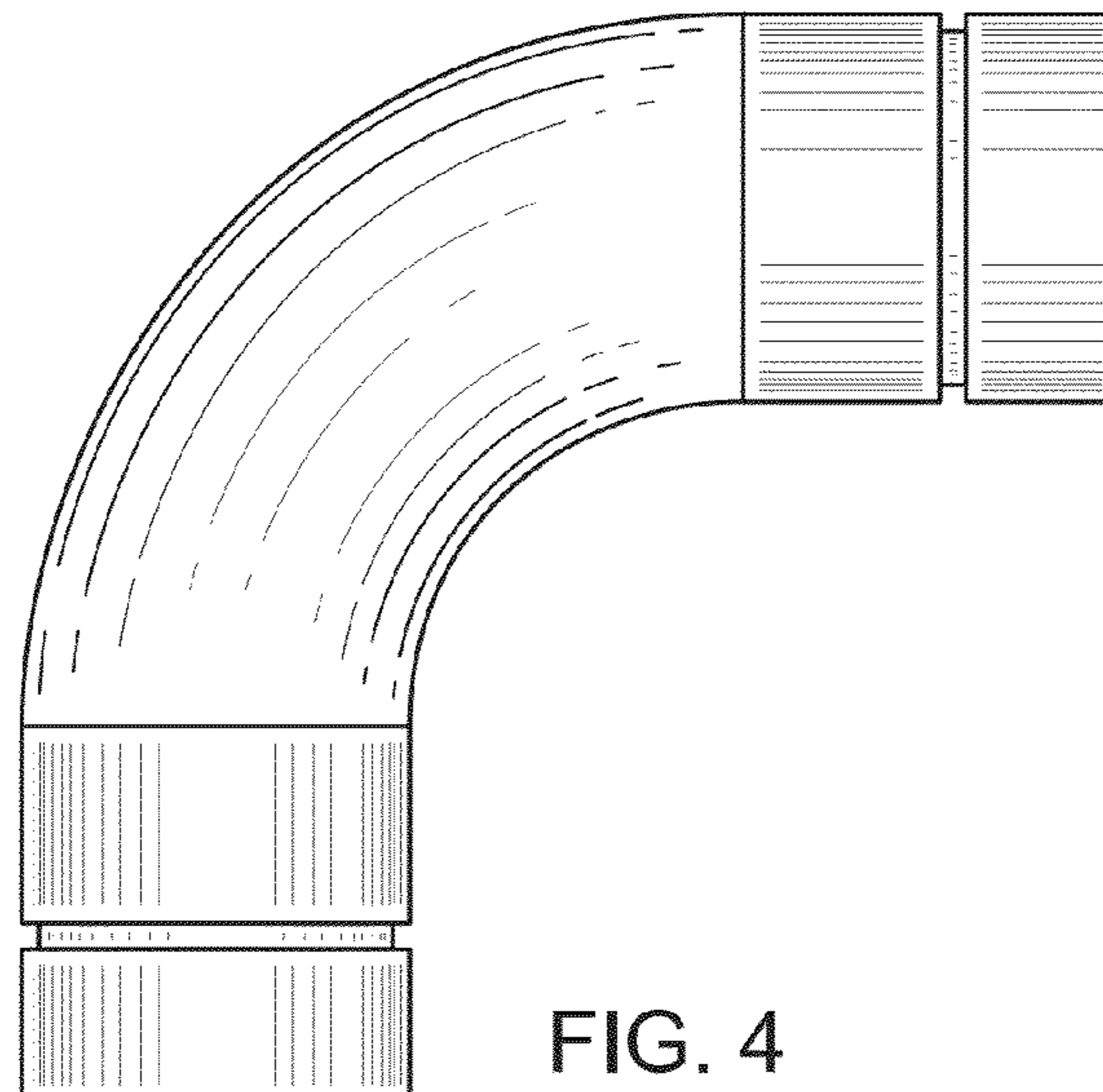
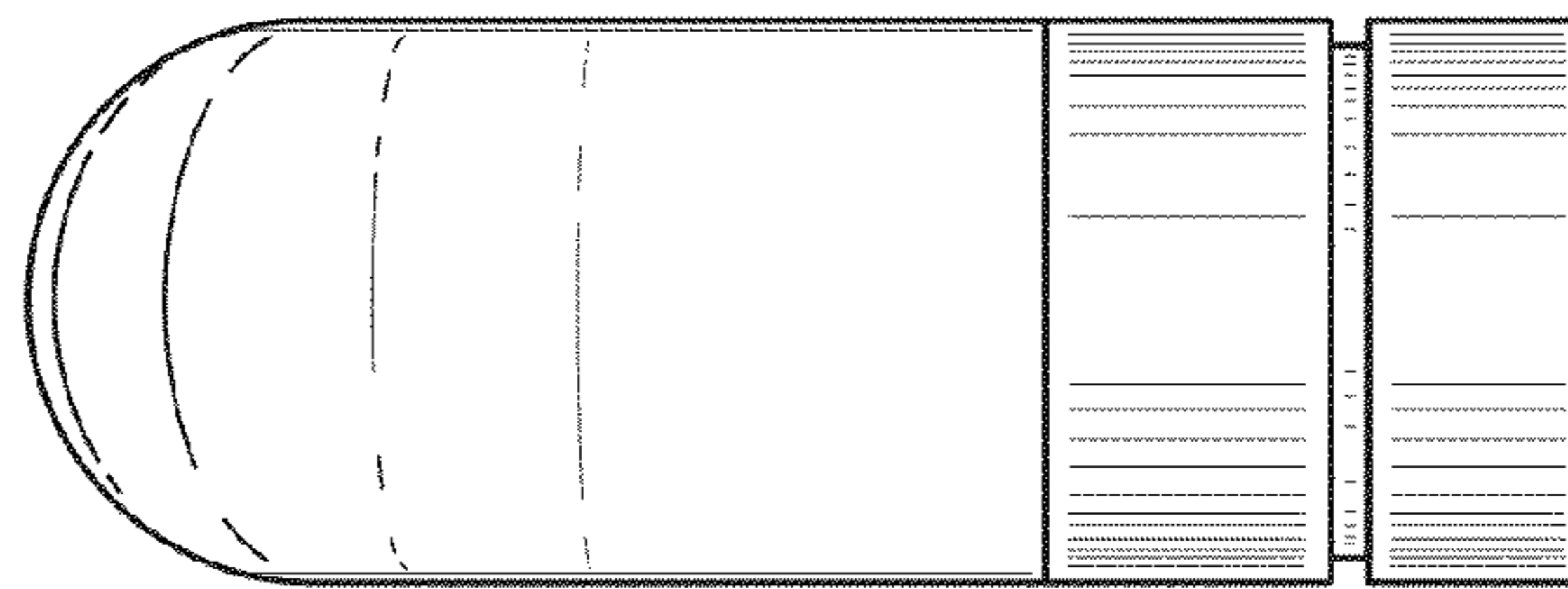


FIG. 4