



US00D739508S

(12) **United States Design Patent**
Menno

(10) **Patent No.:** **US D739,508 S**

(45) **Date of Patent:** **** Sep. 22, 2015**

- (54) **TRANSITION ELBOW**
- (71) Applicant: **HDPE Solutions, LLC**, West Palm Beach, FL (US)
- (72) Inventor: **Chris Menno**, West Palm Beach, FL (US)
- (73) Assignee: **HDPE Solutions, LLC**, West Palm Beach, FL (US)
- (**) Term: **14 Years**
- (21) Appl. No.: **29/443,913**
- (22) Filed: **Jan. 24, 2013**
- (51) **LOC (10) Cl.** **23-01**
- (52) **U.S. Cl.**
USPC **D23/263**
- (58) **Field of Classification Search**
USPC D23/259, 262, 263, 266; D24/129;
D13/154, 155; 138/105, 109, 155, 167,
138/177; 285/58, 179, 179.1, 182
See application file for complete search history.

6,123,366	A *	9/2000	Kiriakopolos et al.	285/61
D561,302	S *	2/2008	Brockington et al.	D23/262
D564,637	S *	3/2008	Brockington et al.	D23/263
D598,985	S *	8/2009	Smith et al.	D23/259
D615,630	S *	5/2010	Price et al.	D23/263
D615,631	S *	5/2010	Price et al.	D23/263
7,887,097	B2 *	2/2011	Blivet	285/45
D634,818	S *	3/2011	Leroyer	D23/263
D634,820	S *	3/2011	Leroyer	D23/263
D675,294	S *	1/2013	Mitchell	D23/263
D676,941	S *	2/2013	Kluss et al.	D23/262
D705,402	S *	5/2014	Yu	D23/262
D712,015	S *	8/2014	Yu	D23/263
2007/0007763	A1 *	1/2007	Deaton	285/179
2013/0069361	A1 *	3/2013	Cai et al.	285/133.21
2013/0200610	A1 *	8/2013	Cygler et al.	285/132.1

* cited by examiner

Primary Examiner — Eric Goodman

Assistant Examiner — Daniel J Domino

(74) *Attorney, Agent, or Firm* — McHale & Slavin P.A.

(57) **CLAIM**

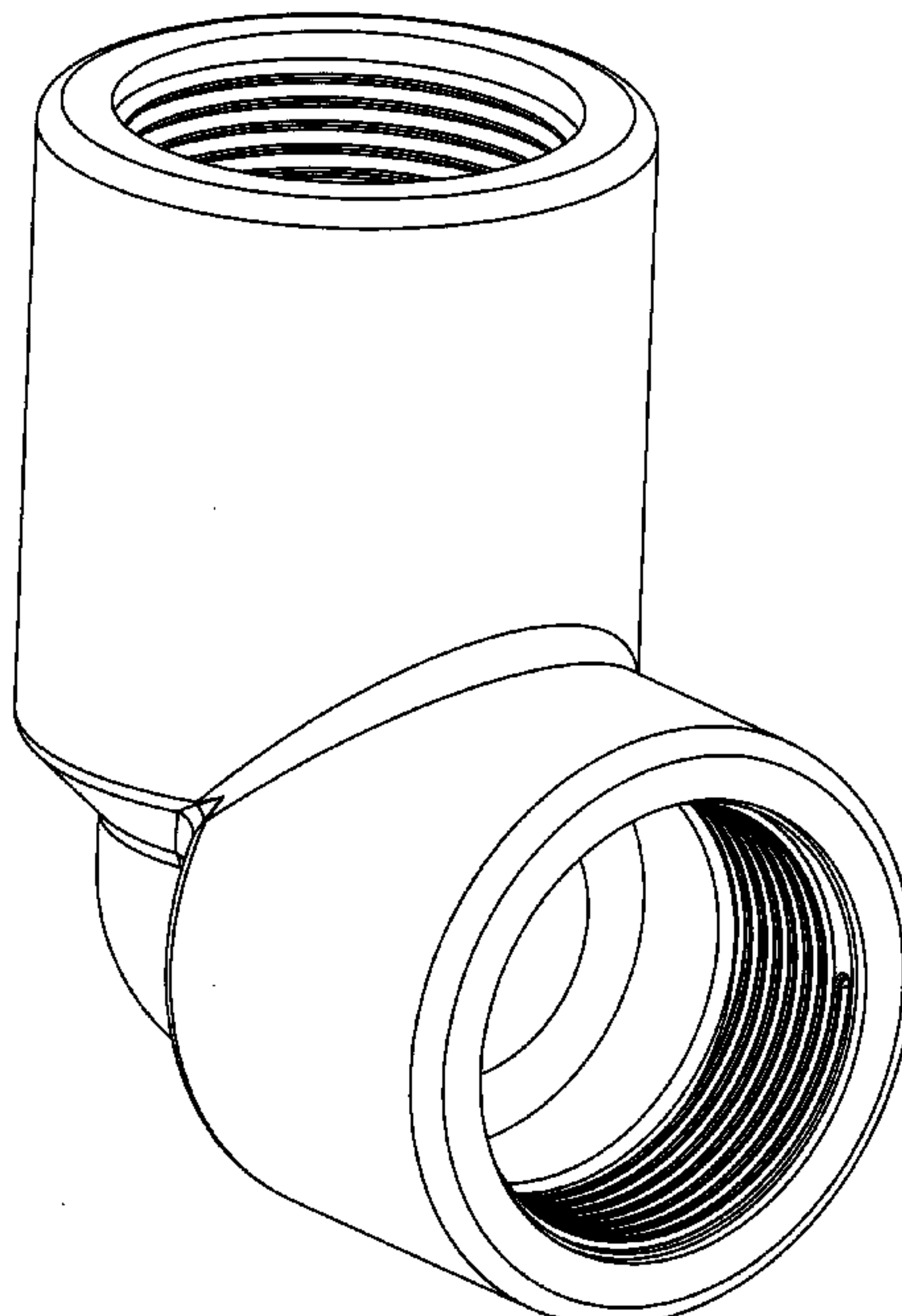
The ornamental design for a transition elbow, as shown and described.

DESCRIPTION

FIG. 1 is a perspective view of a transition elbow;
 FIG. 2 is a bottom perspective view thereof;
 FIG. 3 is a right side view thereof;
 FIG. 4 is a left side view thereof;
 FIG. 5 is a bottom view thereof;
 FIG. 6 is a top view thereof; and,
 FIG. 7 is an environmental perspective view.
 The broken lines shown in the figures are for the purpose of illustrating environment only and form no part of the claimed design.

1 Claim, 7 Drawing Sheets

- (56) **References Cited**
U.S. PATENT DOCUMENTS
- D52,953 S * 2/1919 Hubbard et al. D13/155
- D52,954 S * 2/1919 Hubbard et al. D13/155
- D132,939 S * 6/1942 Corley et al. D23/263
- D135,634 S * 5/1943 Stark et al. D23/263
- D229,410 S * 11/1973 Luckenbill et al. D23/263
- D291,481 S * 8/1987 Vassallo et al. D23/263
- 4,708,663 A * 11/1987 Eckart 439/469
- 5,016,923 A * 5/1991 Adamaitis 285/179.1
- D355,958 S * 2/1995 Teskey D23/263
- D396,391 S * 7/1998 Rein et al. D8/14



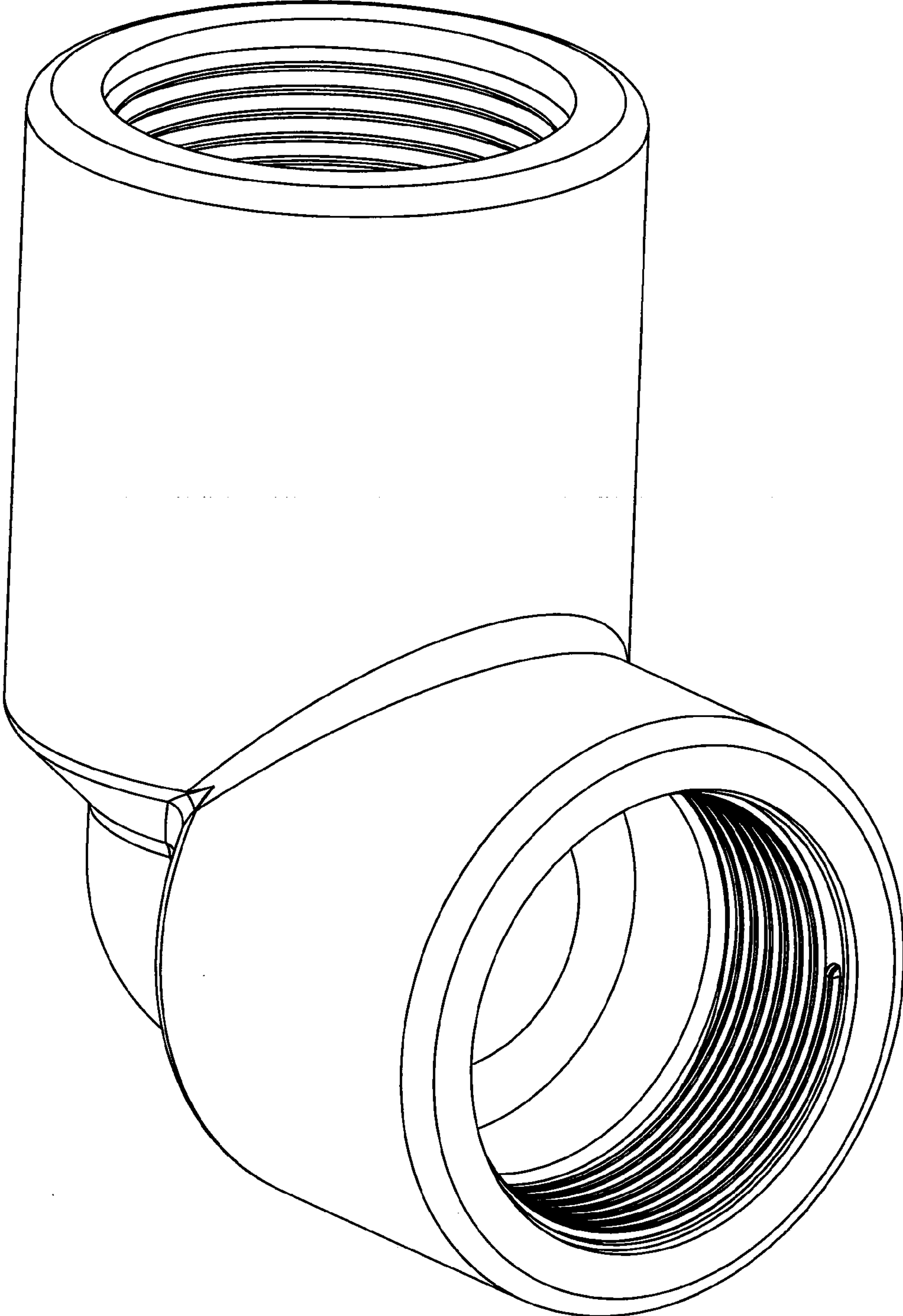


Figure 1.

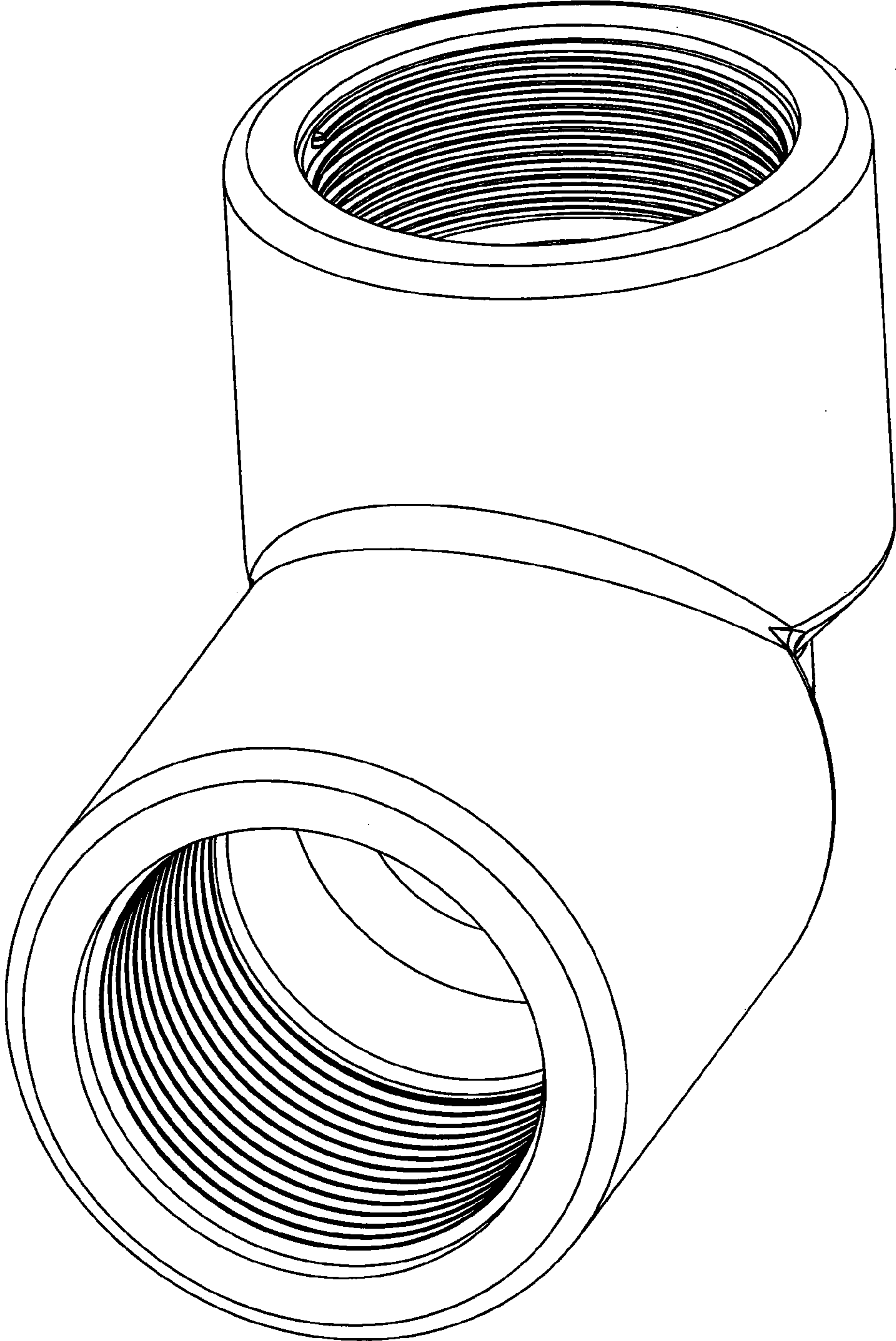


Figure 2.

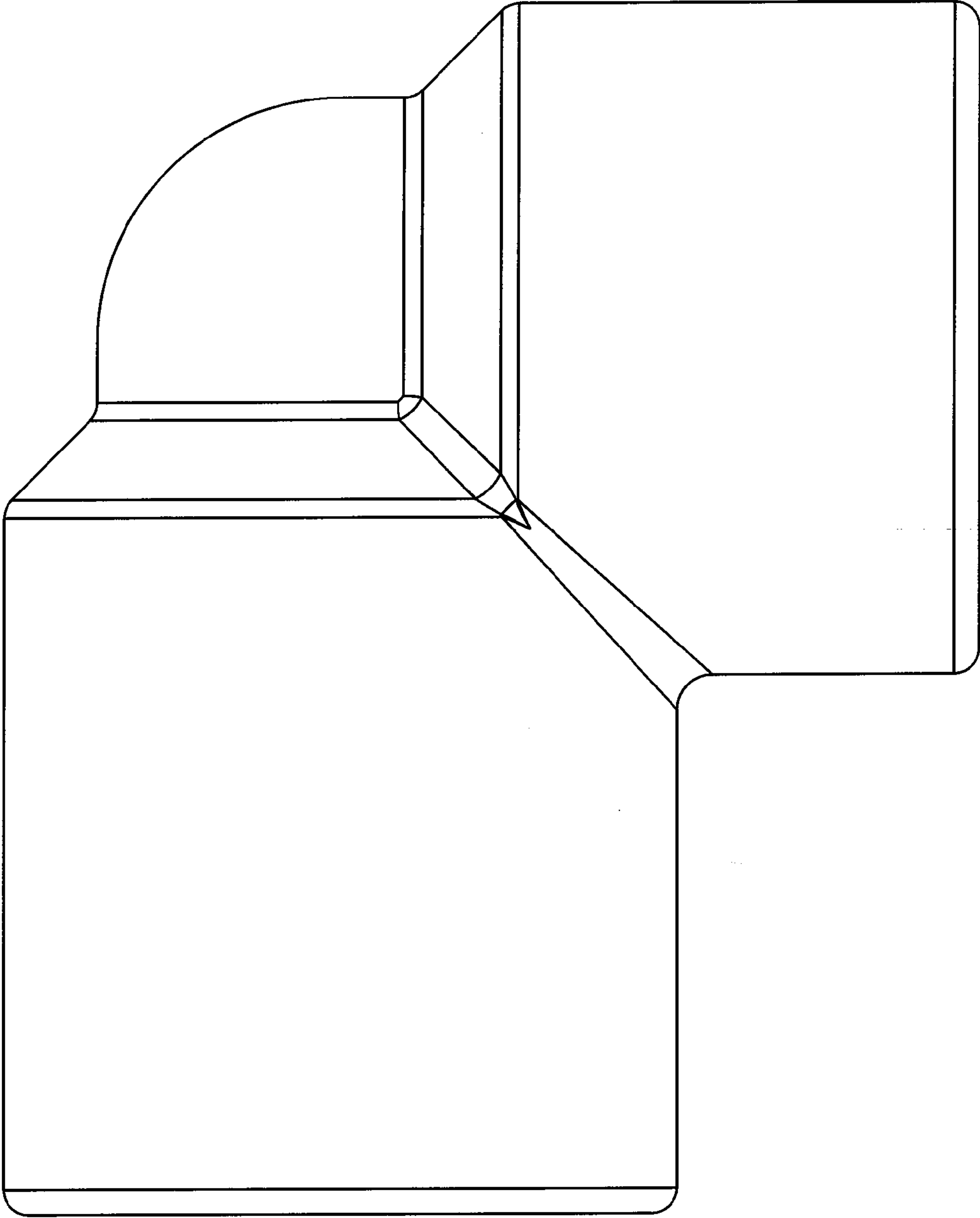


Figure 3.

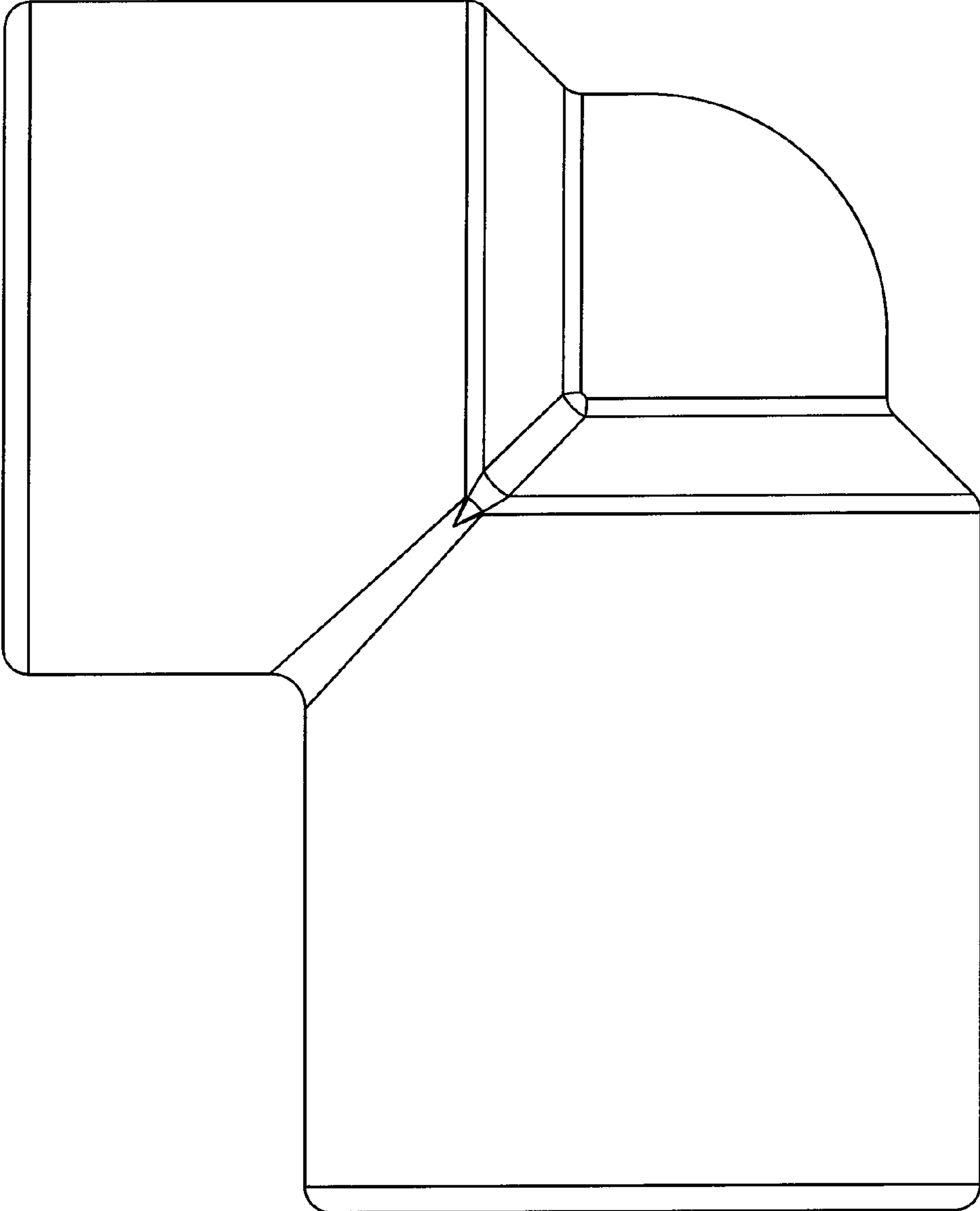


Figure 4.

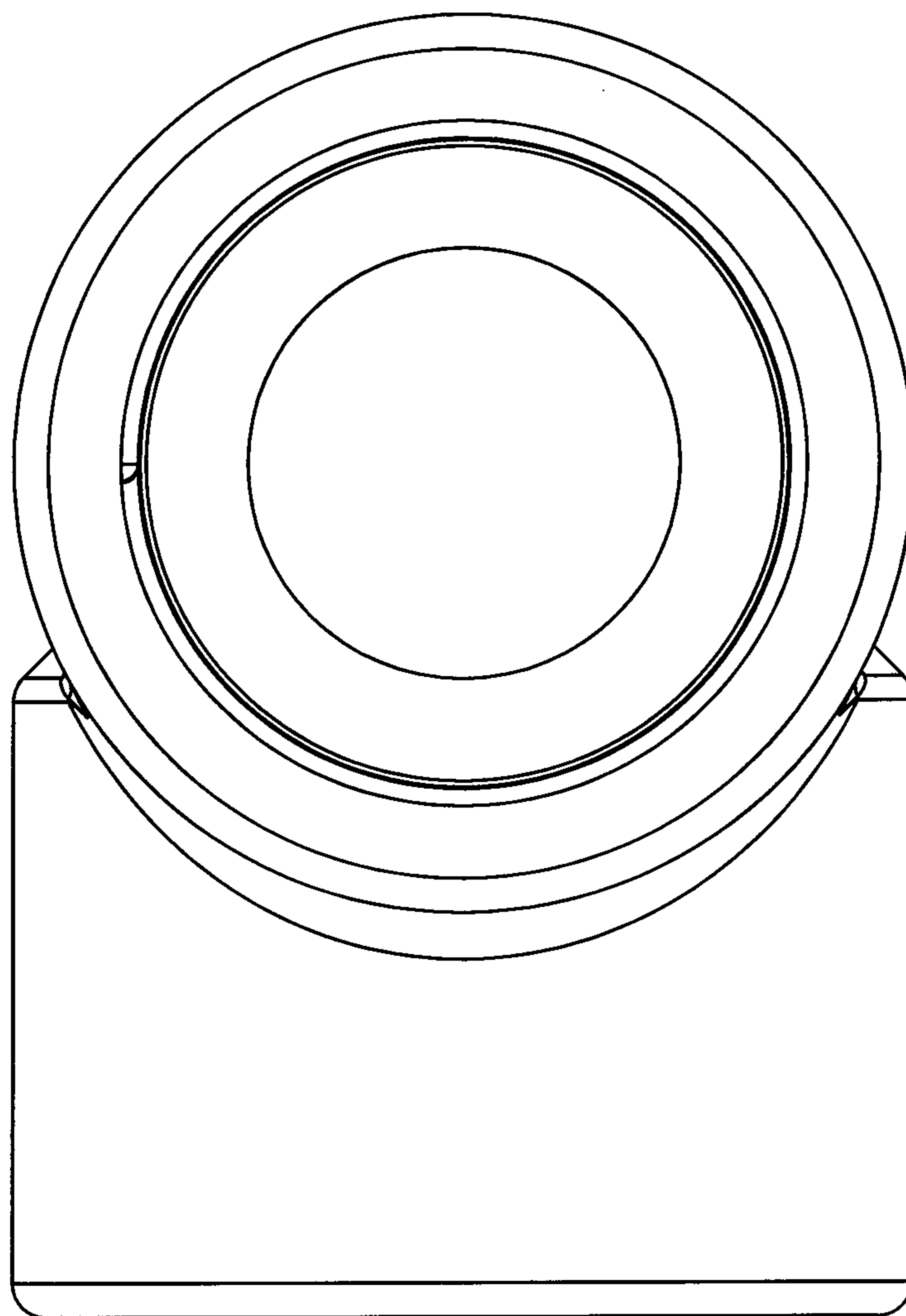


Figure 5.

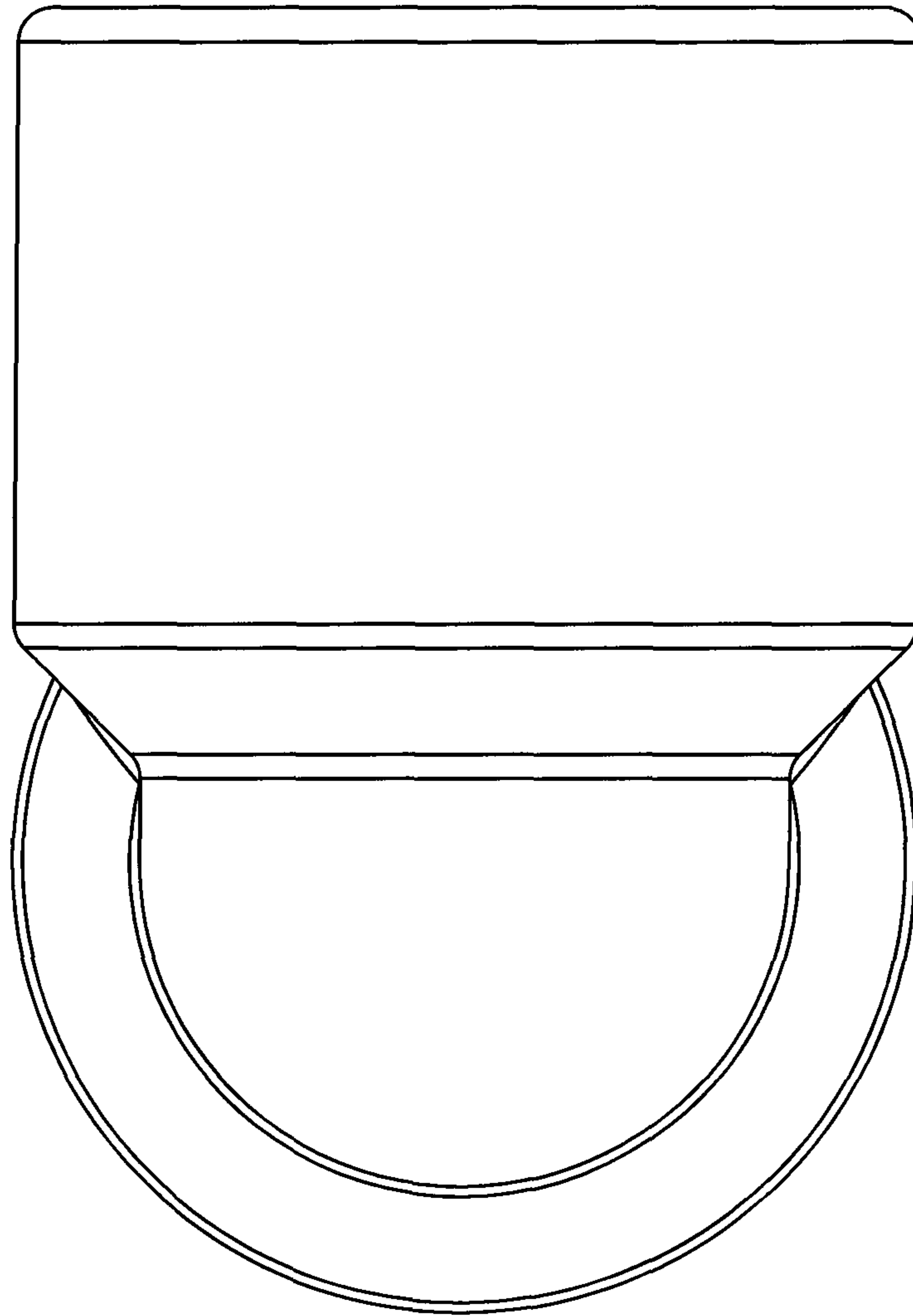


Figure 6.

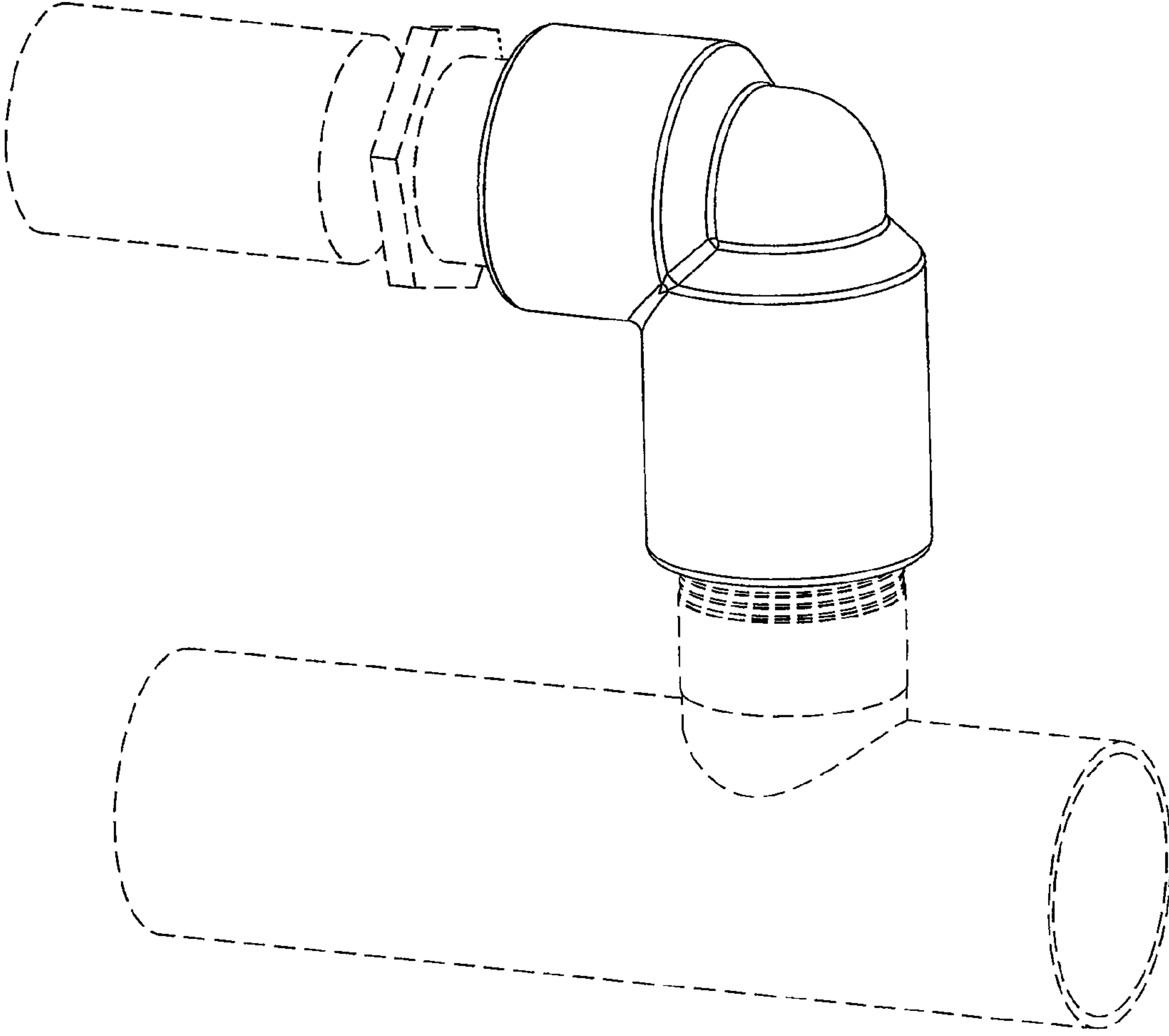


Figure 7.