



US00D739507S

(12) **United States Design Patent**
Watson

(10) **Patent No.:** **US D739,507 S**

(45) **Date of Patent:** **** Sep. 22, 2015**

(54) **SET OF SPOUTING CONNECTORS**

(71) Applicant: **Roy McKay Watson**, Palmerston North (NZ)

(72) Inventor: **Roy McKay Watson**, Palmerston North (NZ)

(**) Term: **14 Years**

(21) Appl. No.: **29/457,475**

(22) Filed: **Jun. 10, 2013**

(30) **Foreign Application Priority Data**

Dec. 11, 2012 (NZ) 417115
Dec. 17, 2012 (NZ) 417130

(51) **LOC (10) Cl.** **23-01**

(52) **U.S. Cl.**
USPC **D23/262**

(58) **Field of Classification Search**

USPC D23/223, 226, 233, 259-269;
285/86-93, 179-182
CPC F16L 2201/20; F16L 2201/60; F16L
2201/10; F16L 37/133; F16L 37/0985; F16L
27/0845; F16L 43/008; B29C 66/5229
See application file for complete search history.

(56) **References Cited**

U.S. PATENT DOCUMENTS

4,574,402	A *	3/1986	Brown, Sr.	4/252.5
4,827,539	A *	5/1989	Kiziah	4/252.4
5,867,943	A *	2/1999	Thomas	52/11
6,447,028	B1 *	9/2002	LaMarca et al.	285/404
6,719,294	B2 *	4/2004	Nguyen et al.	277/314
D567,341	S *	4/2008	Vargas	D23/267
7,350,243	B2 *	4/2008	Zahuranec	4/252.4
D704,313	S *	5/2014	van de Klippe et al.	D23/269
D706,133	S *	6/2014	Robinson	D9/434

* cited by examiner

Primary Examiner — Kevin Rudzinski

Assistant Examiner — John Reickel

(74) *Attorney, Agent, or Firm* — Blakely Sokoloff Taylor & Zafman LLP

(57) **CLAIM**

The ornamental design for a set of spouting connectors, as shown.

DESCRIPTION

FIG. 1 is a top view of male portion of a first embodiment, shown separately for ease of illustration;

FIG. 2 is a bottom view thereof;

FIG. 3 is a front view of a set of spouting connectors according to a first embodiment;

FIG. 4 is a back view thereof;

FIG. 5 is a left side view thereof;

FIG. 6 is a right side thereof;

FIG. 7 is perspective view thereof;

FIG. 8 is an exploded perspective view thereof;

FIG. 9 is a top view thereof;

FIG. 10 is a sectional view taken along 10-10 of FIG. 9;

FIG. 11 is a top view thereof;

FIG. 12 is an exploded sectional view taken along 12-12 of FIG. 11.

FIG. 13 is a top view of male portion of a second embodiment shown separately for ease of illustration;

FIG. 14 is a bottom view thereof;

FIG. 15 is a front view of a set of spouting connectors according to a second embodiment;

FIG. 16 is a back view thereof;

FIG. 17 is a left side view thereof;

FIG. 18 is a right side view thereof;

FIG. 19 is a perspective view thereof;

FIG. 20 is an exploded perspective view thereof;

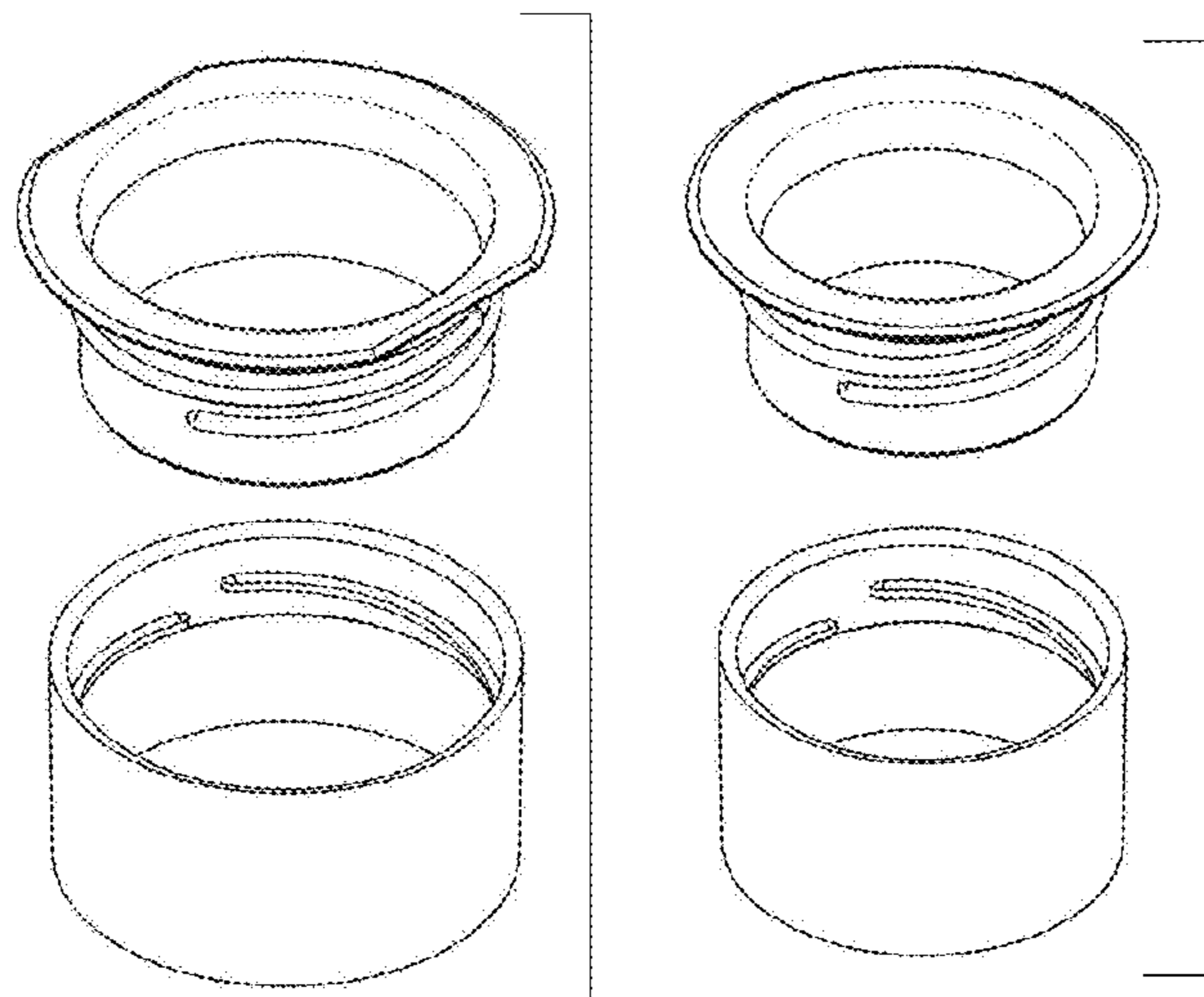
FIG. 21 is a top view thereof;

FIG. 22 is a sectional view taken along 22-22 of FIG. 2;

FIG. 23 is a top view thereof; and,

FIG. 24 is an exploded sectional view taken along 24-24 of FIG. 23.

1 Claim, 20 Drawing Sheets



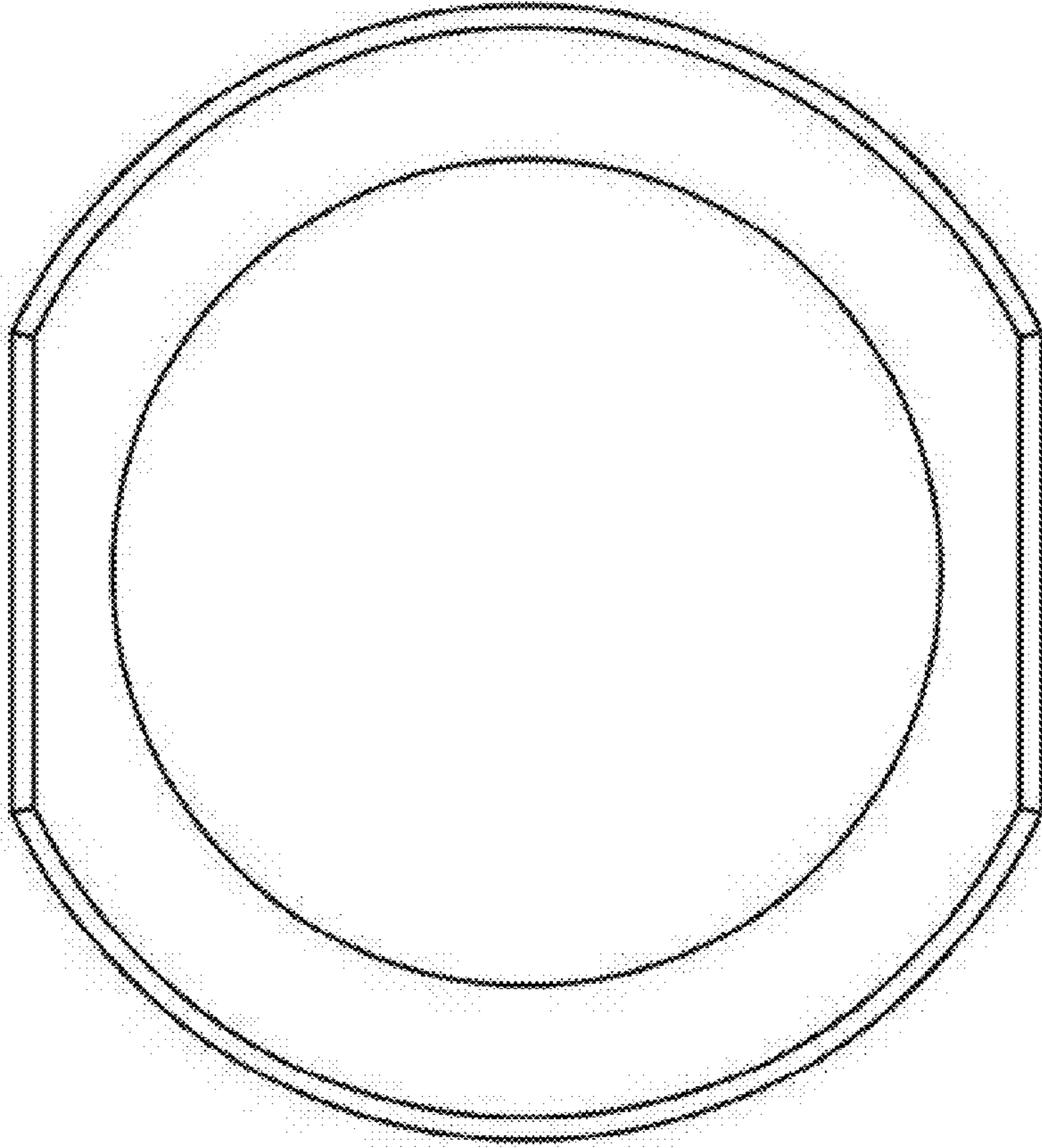


FIG. 1

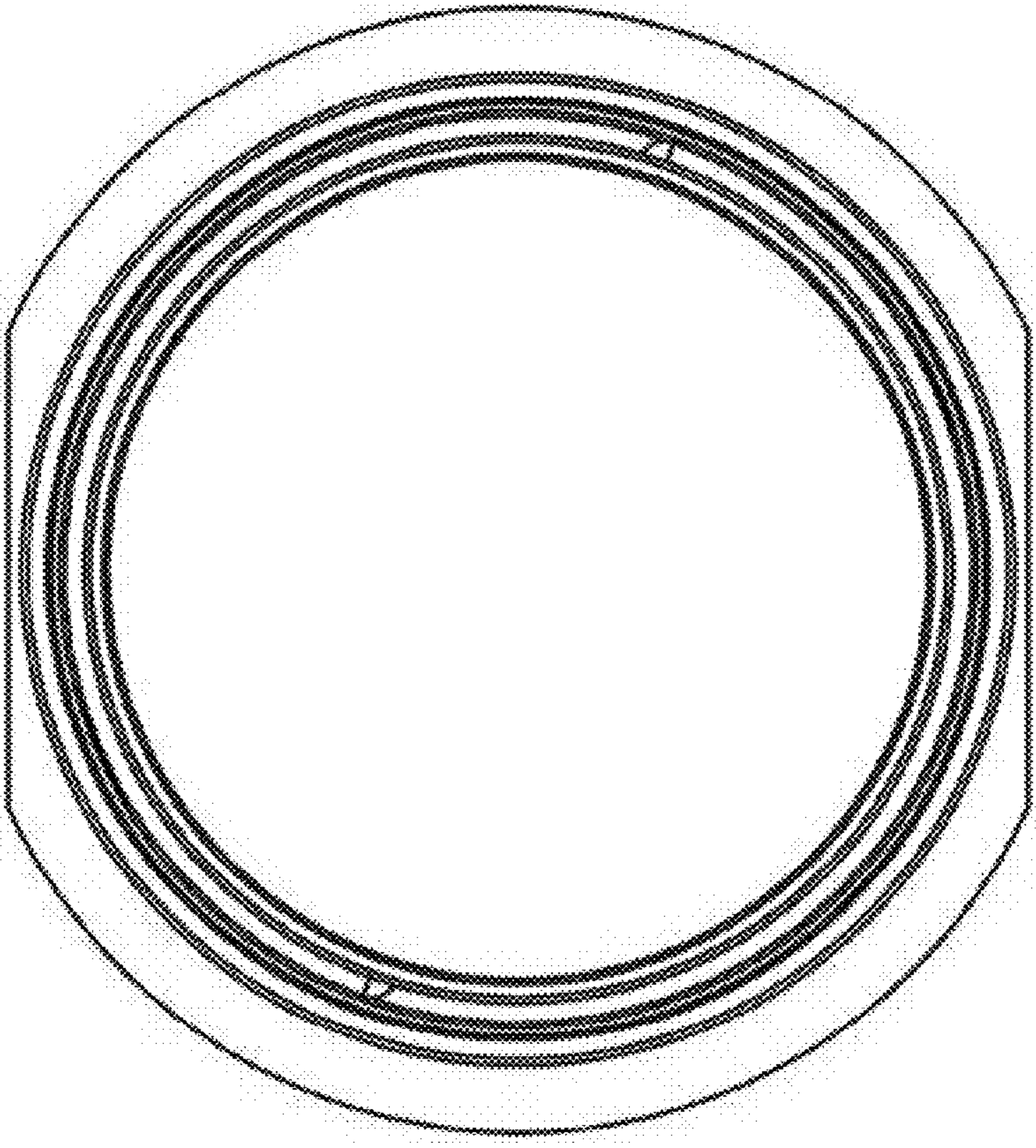


FIG. 2



FIG. 3

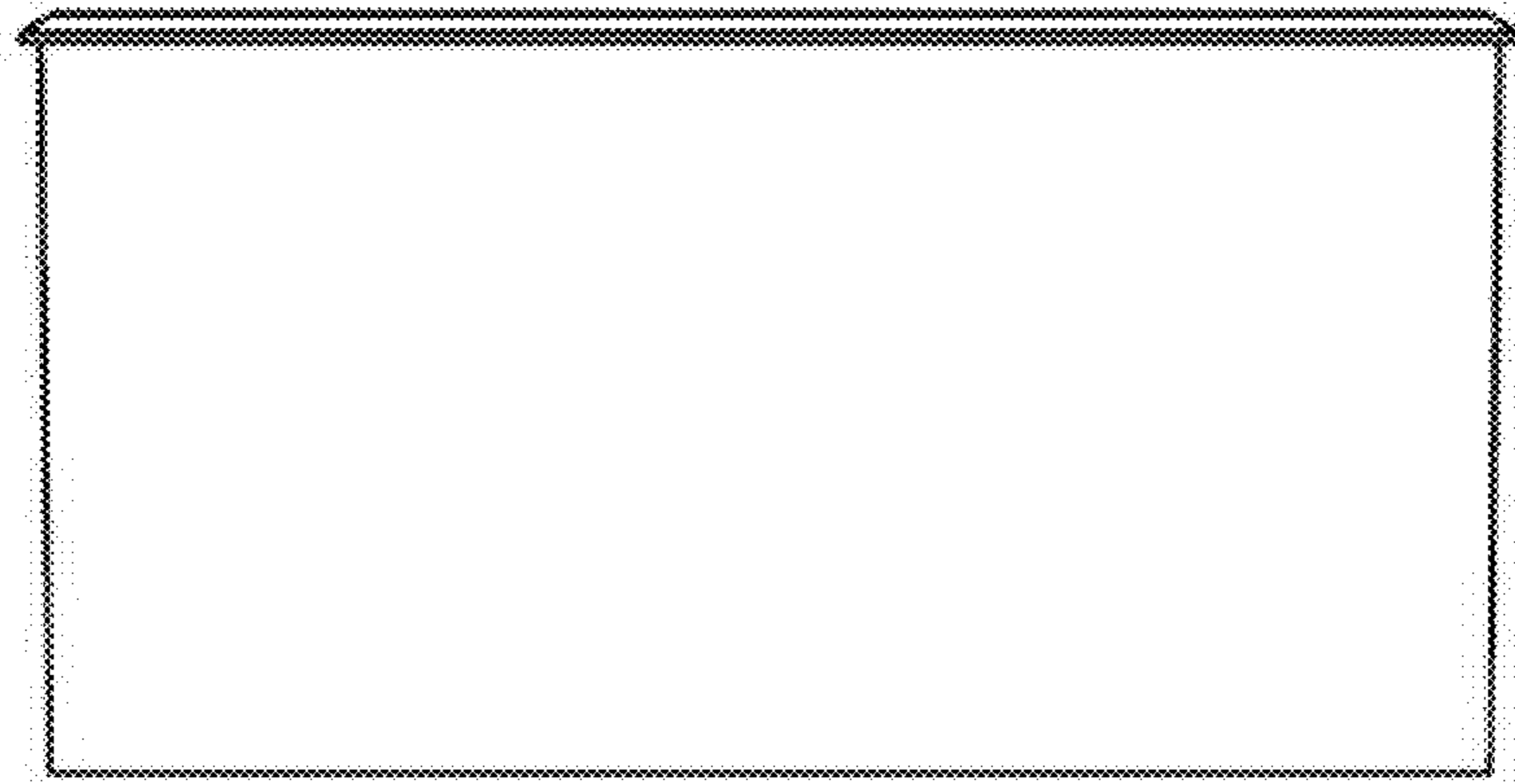


FIG. 4

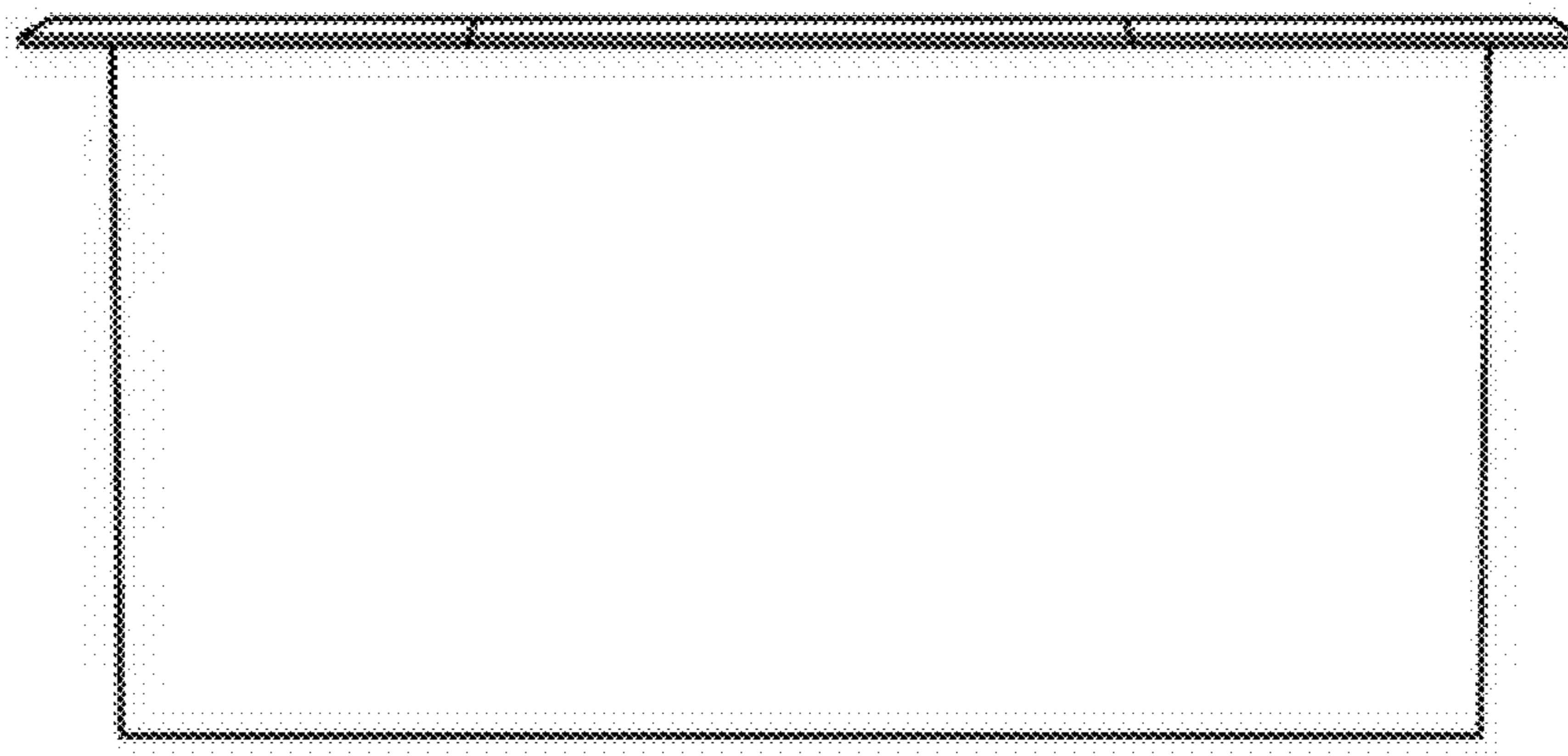


FIG. 5

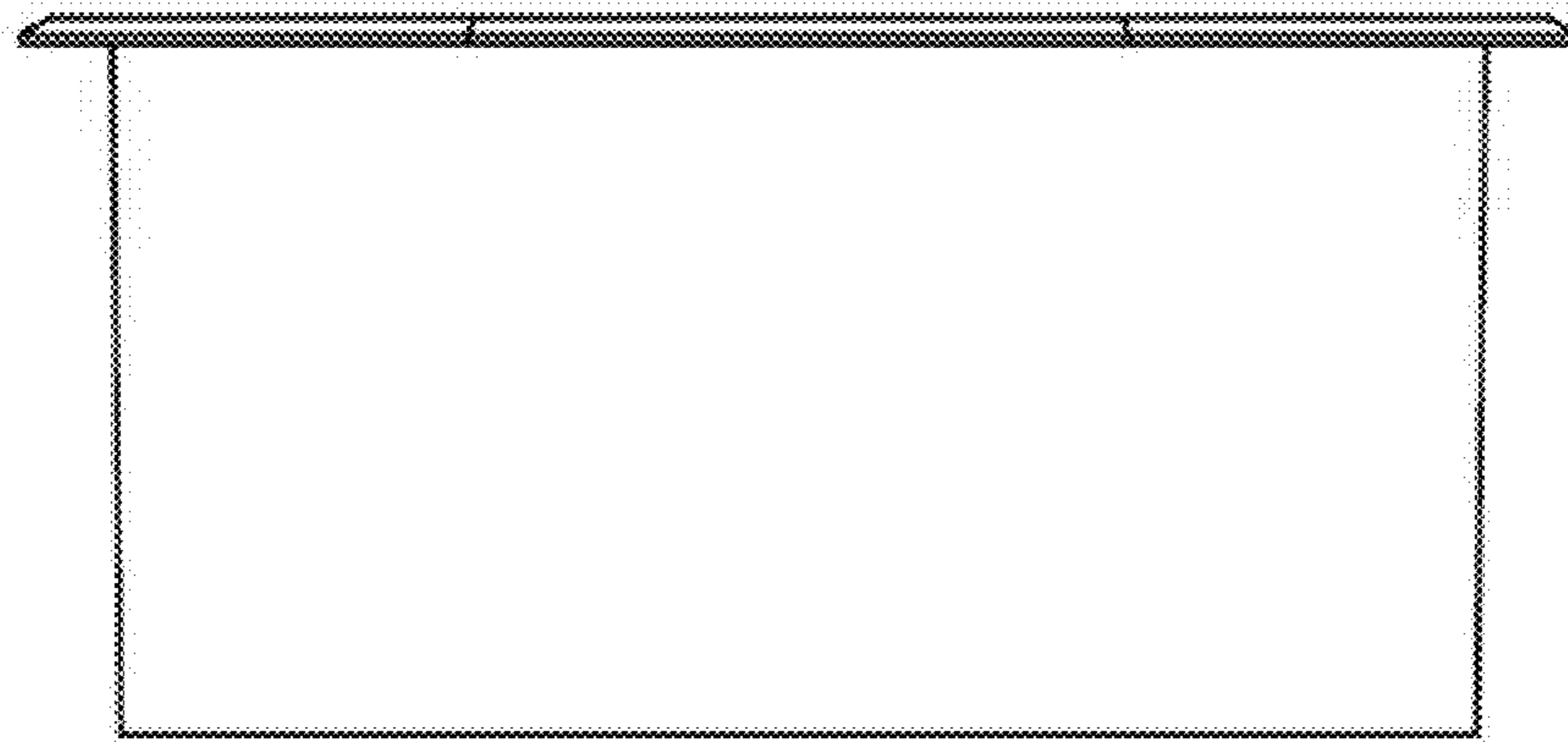


FIG. 6

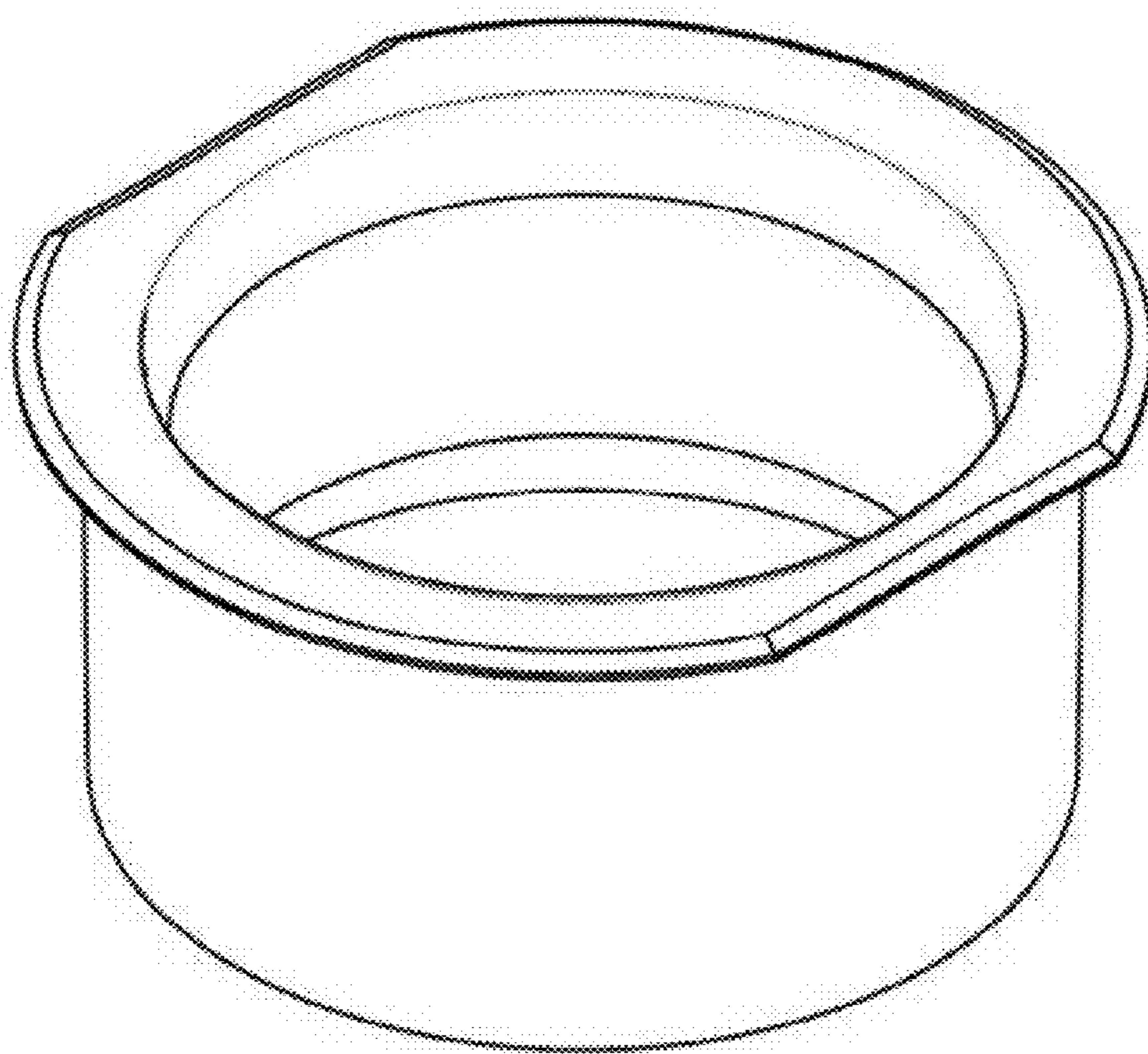


FIG. 7

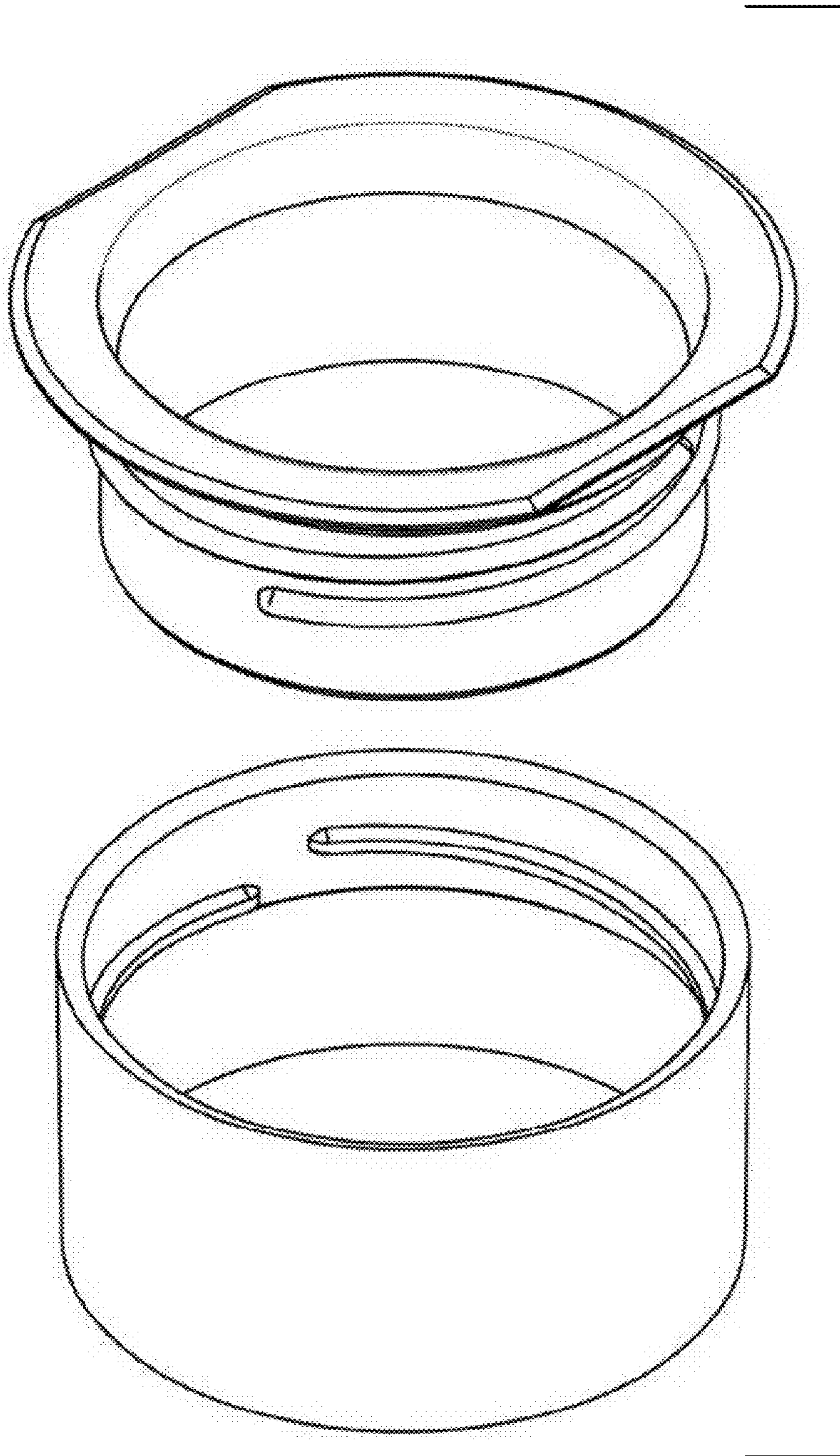


FIG. 8

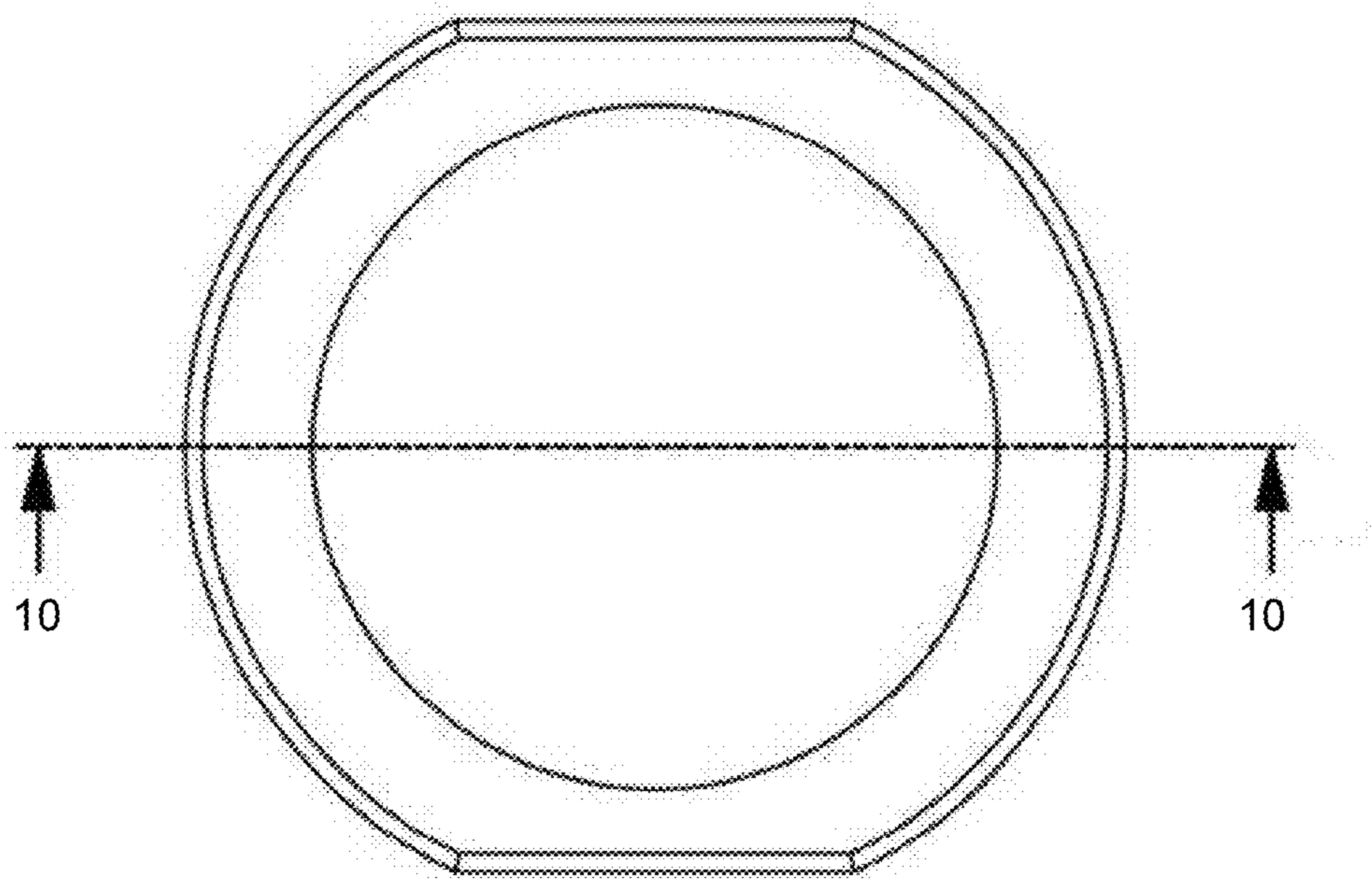


FIG. 9

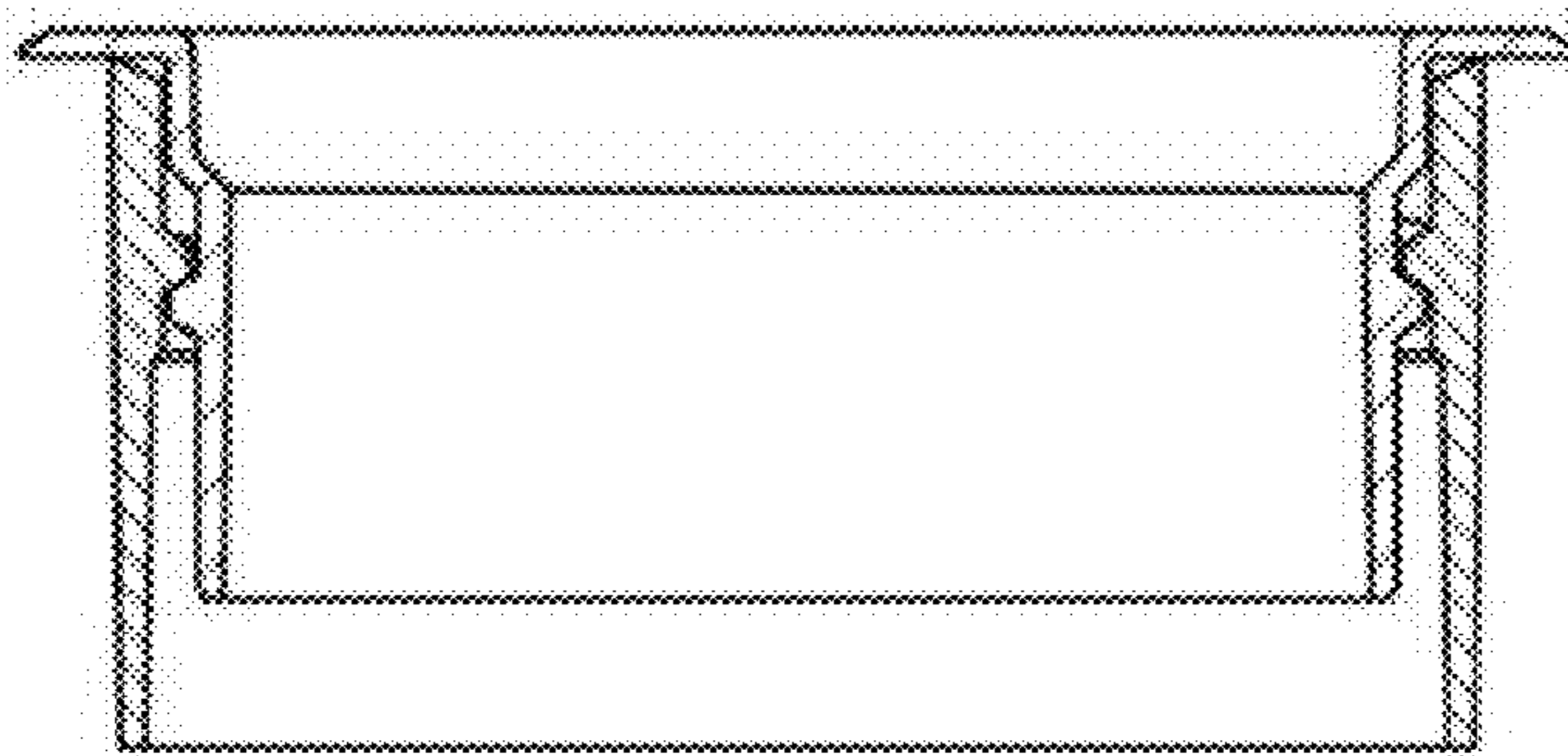


FIG. 10

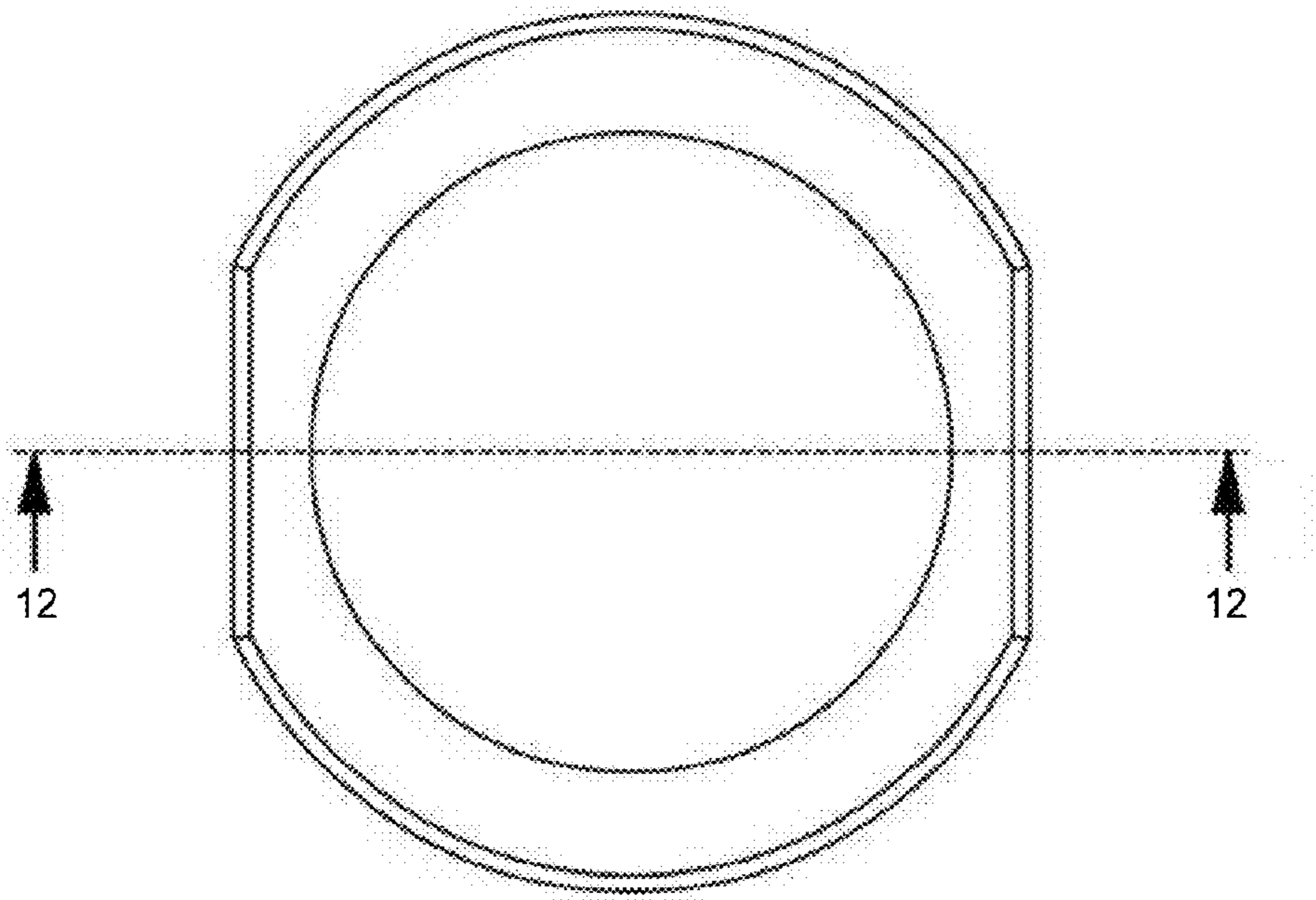


FIG. 11

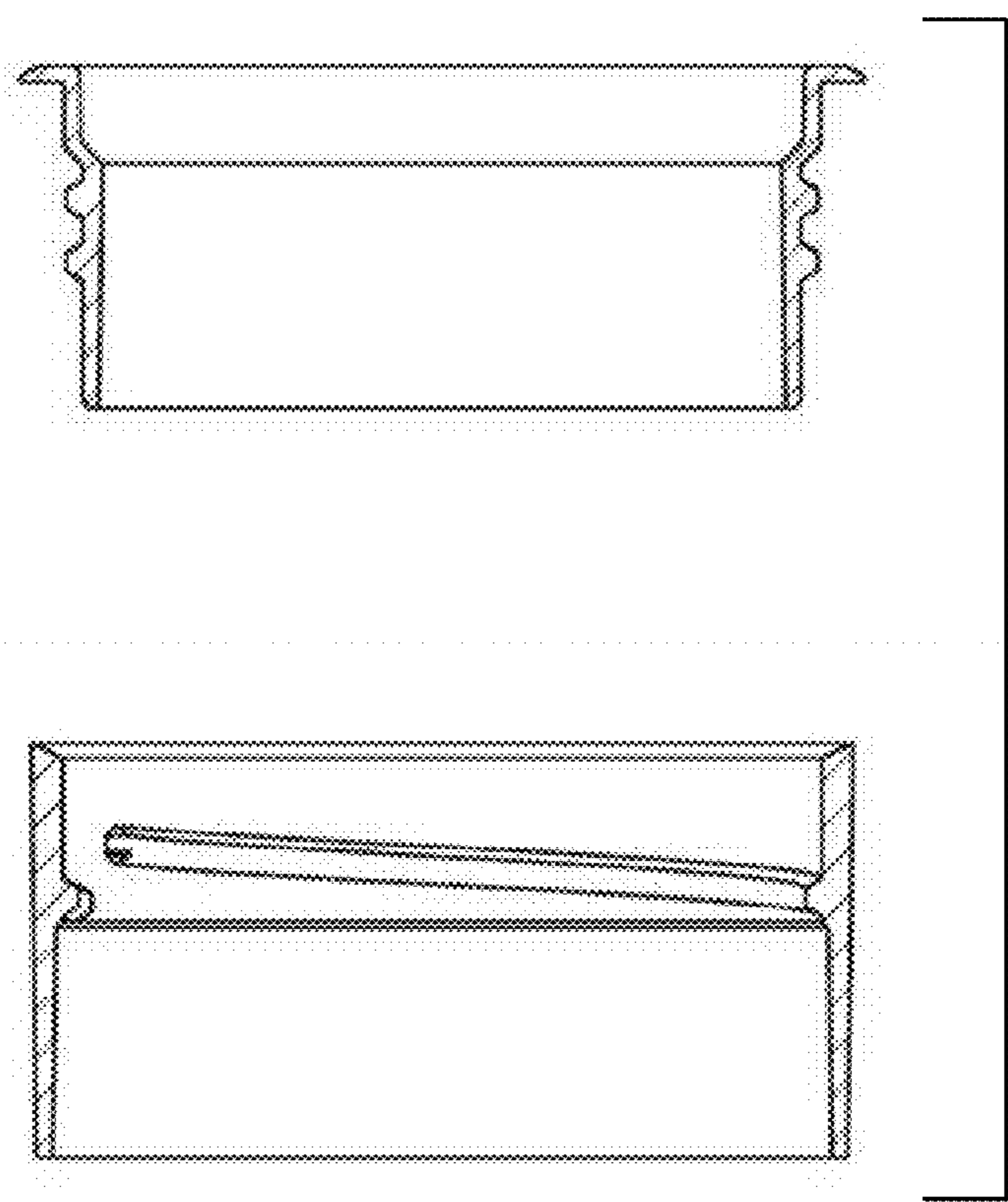


FIG. 12

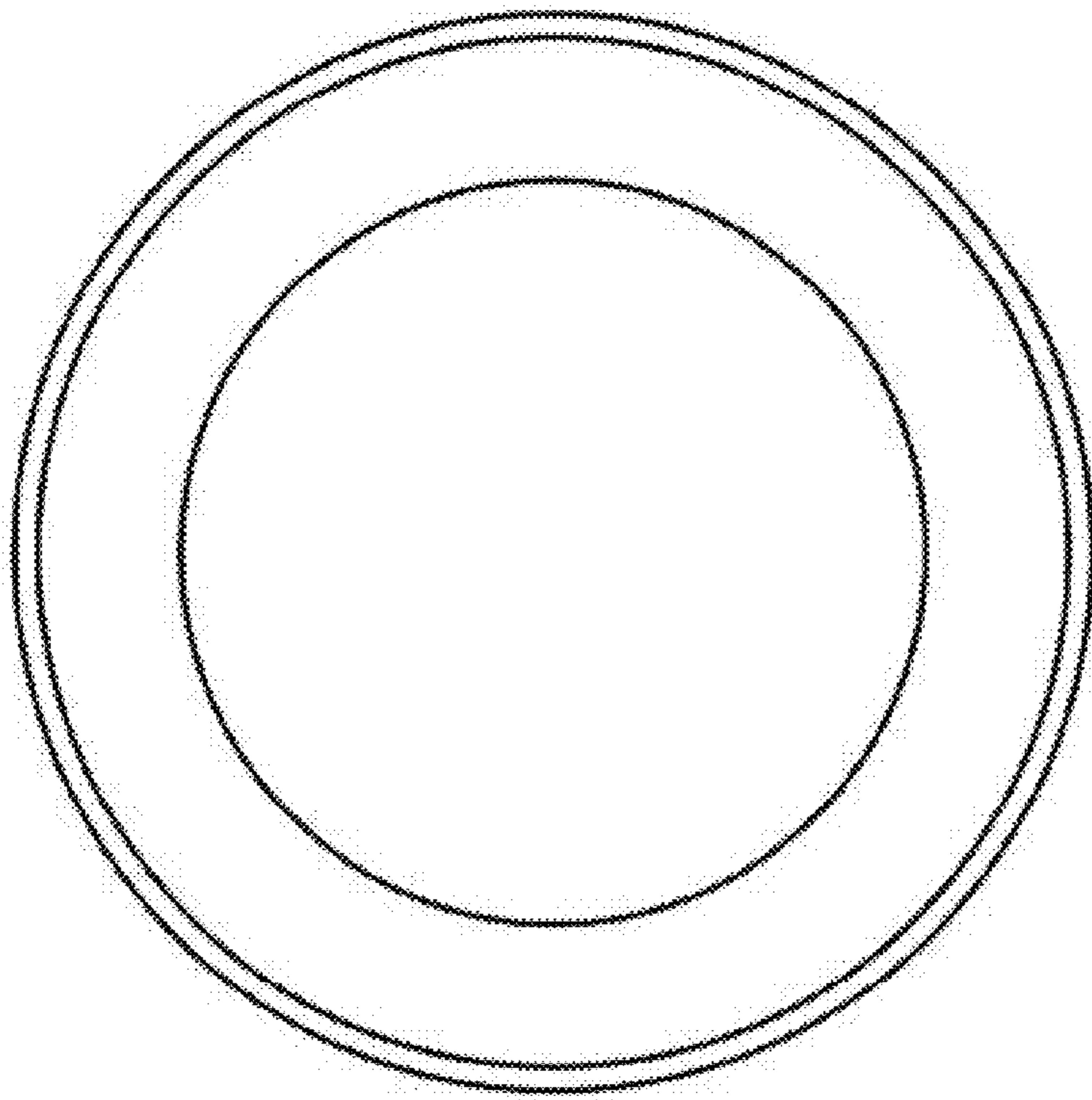


FIG. 13

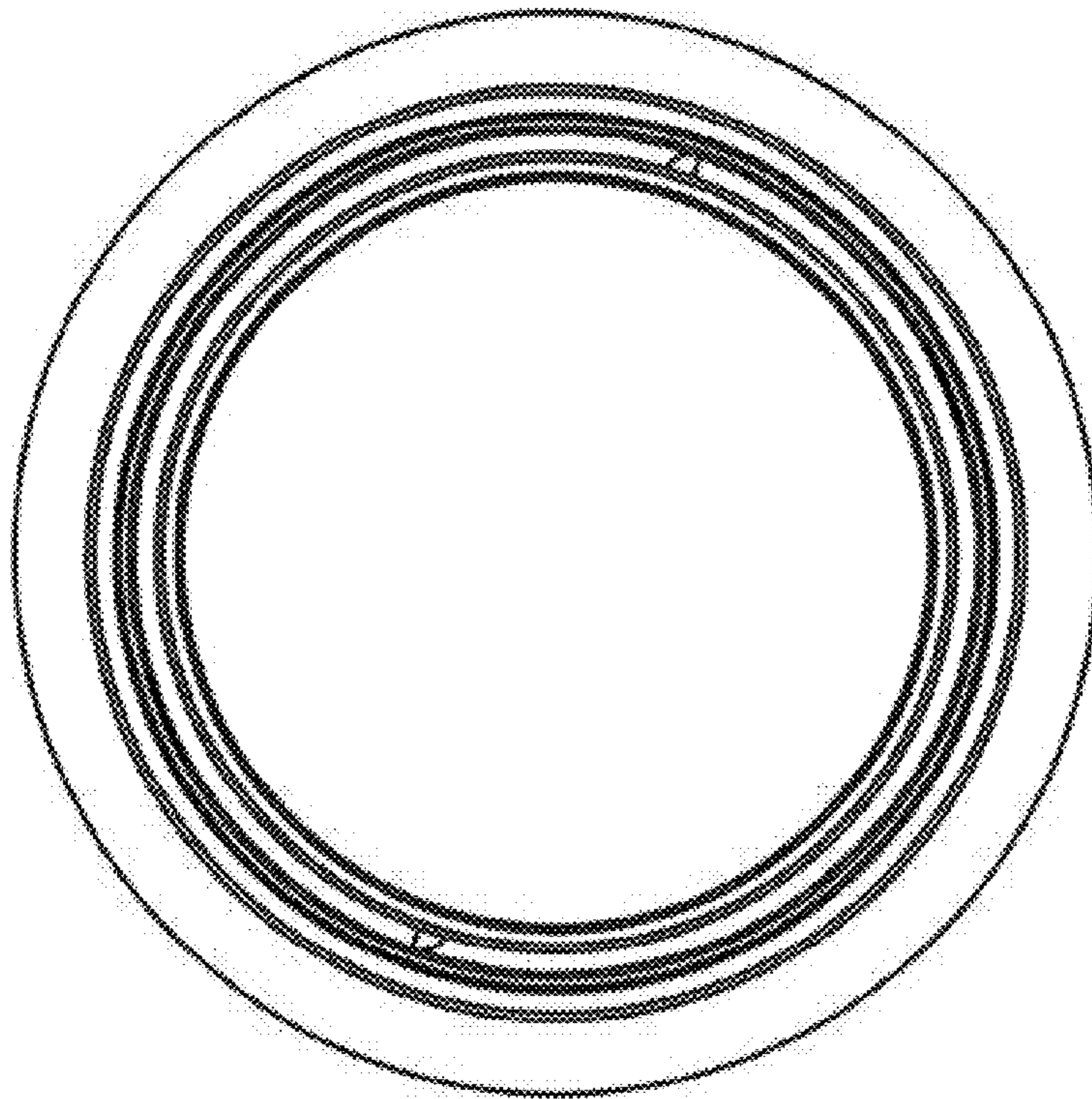


FIG. 14

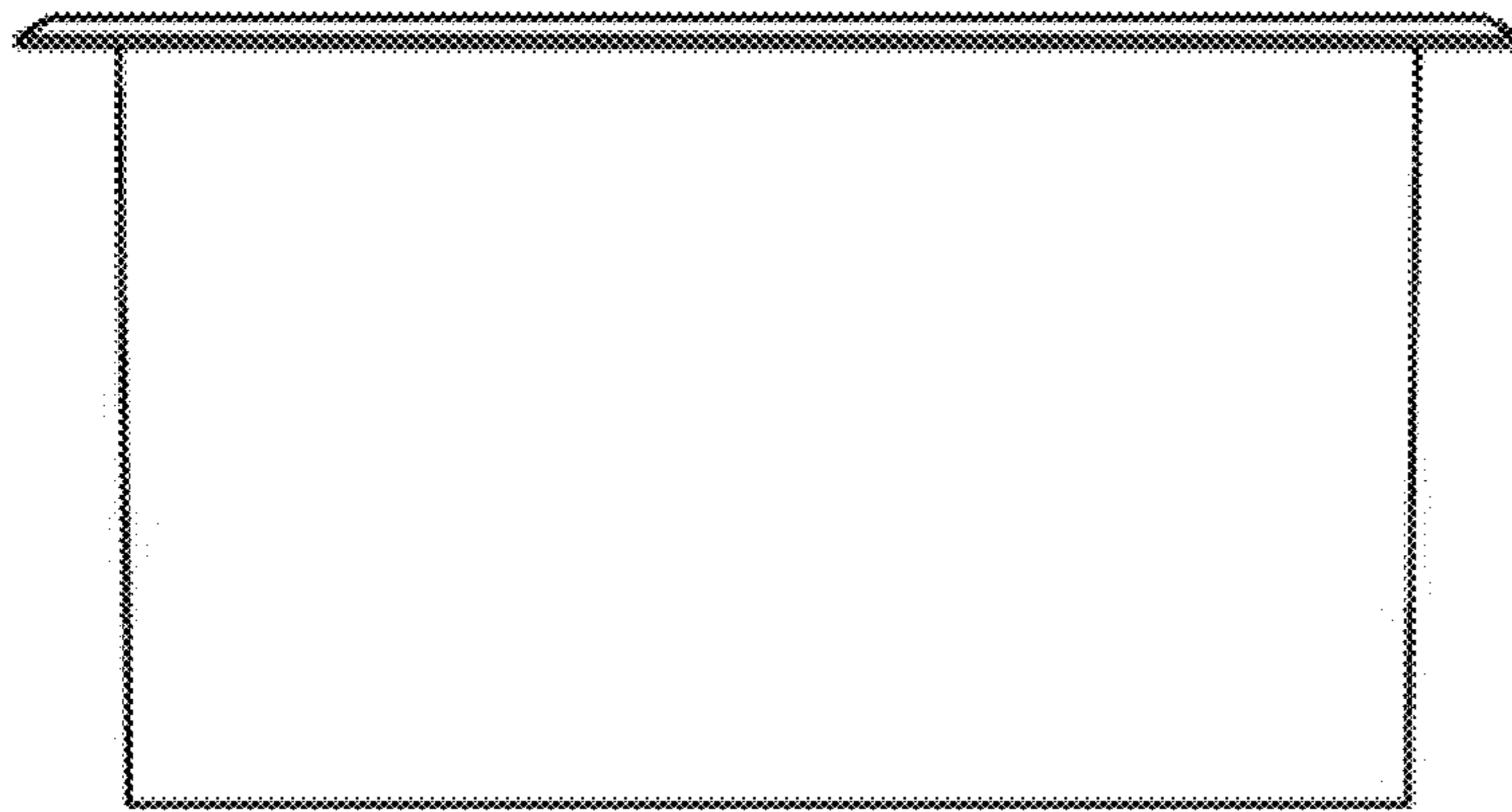


FIG. 15



FIG. 16

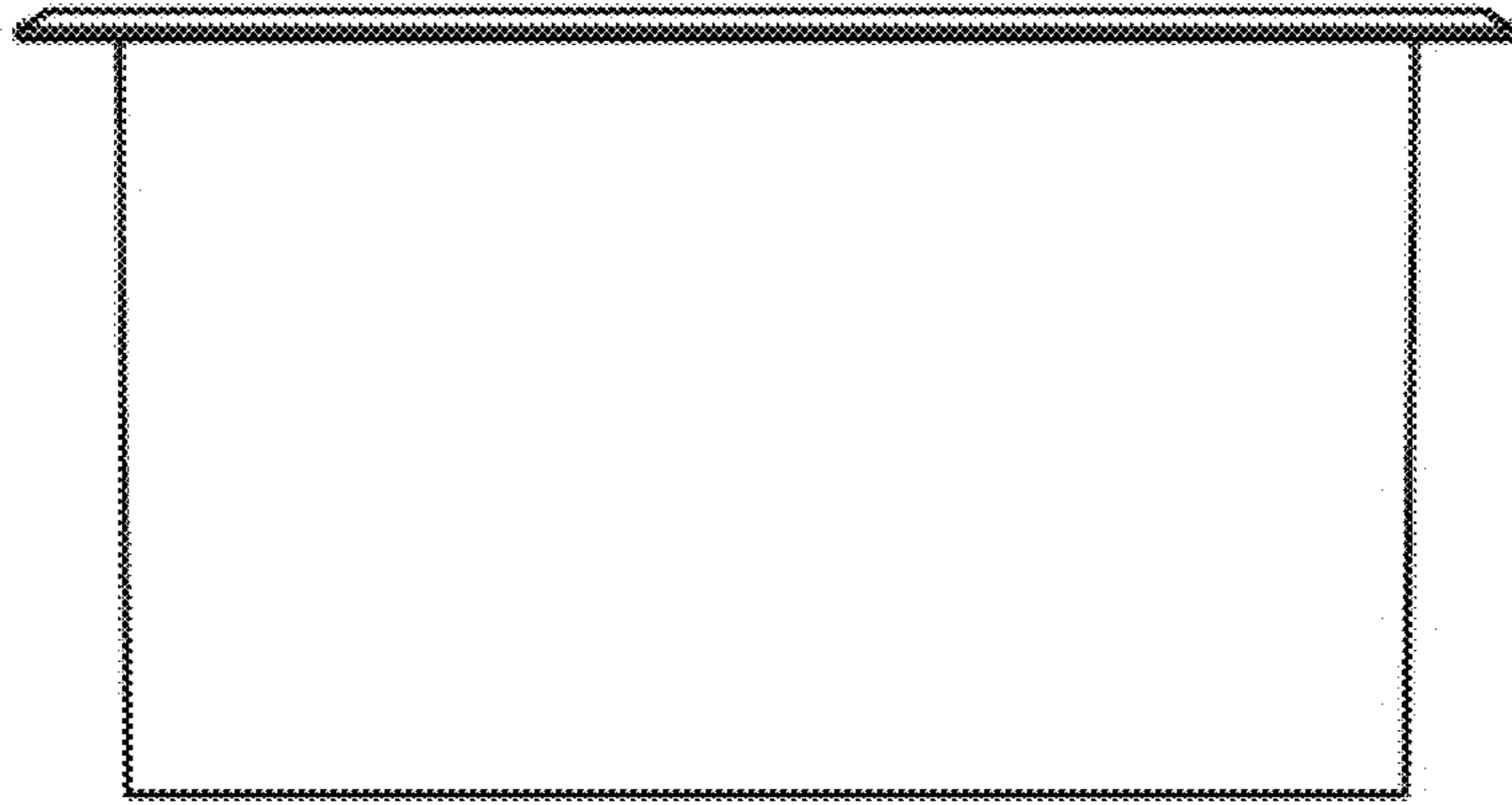


FIG. 17



FIG. 18

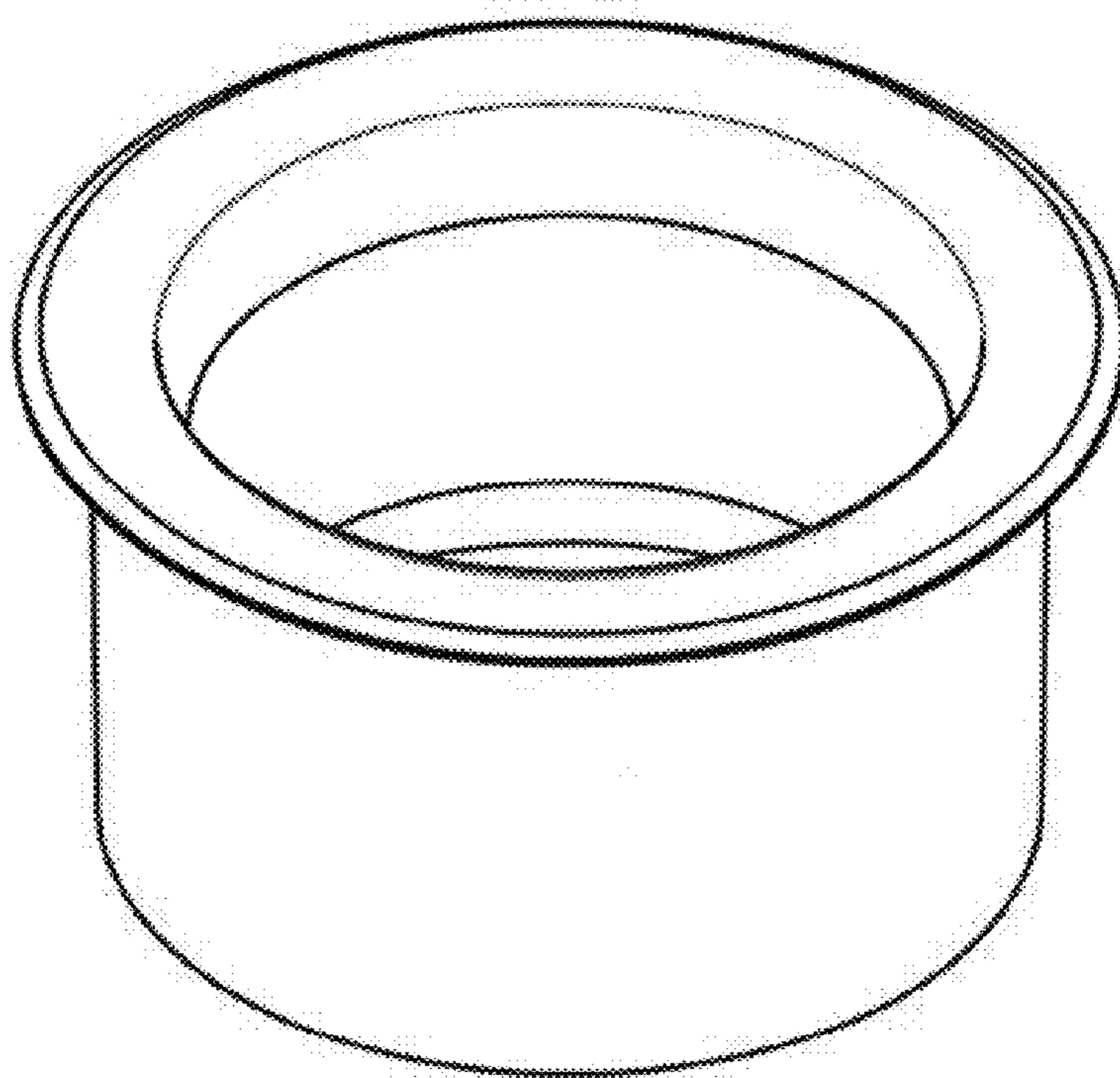


FIG. 19

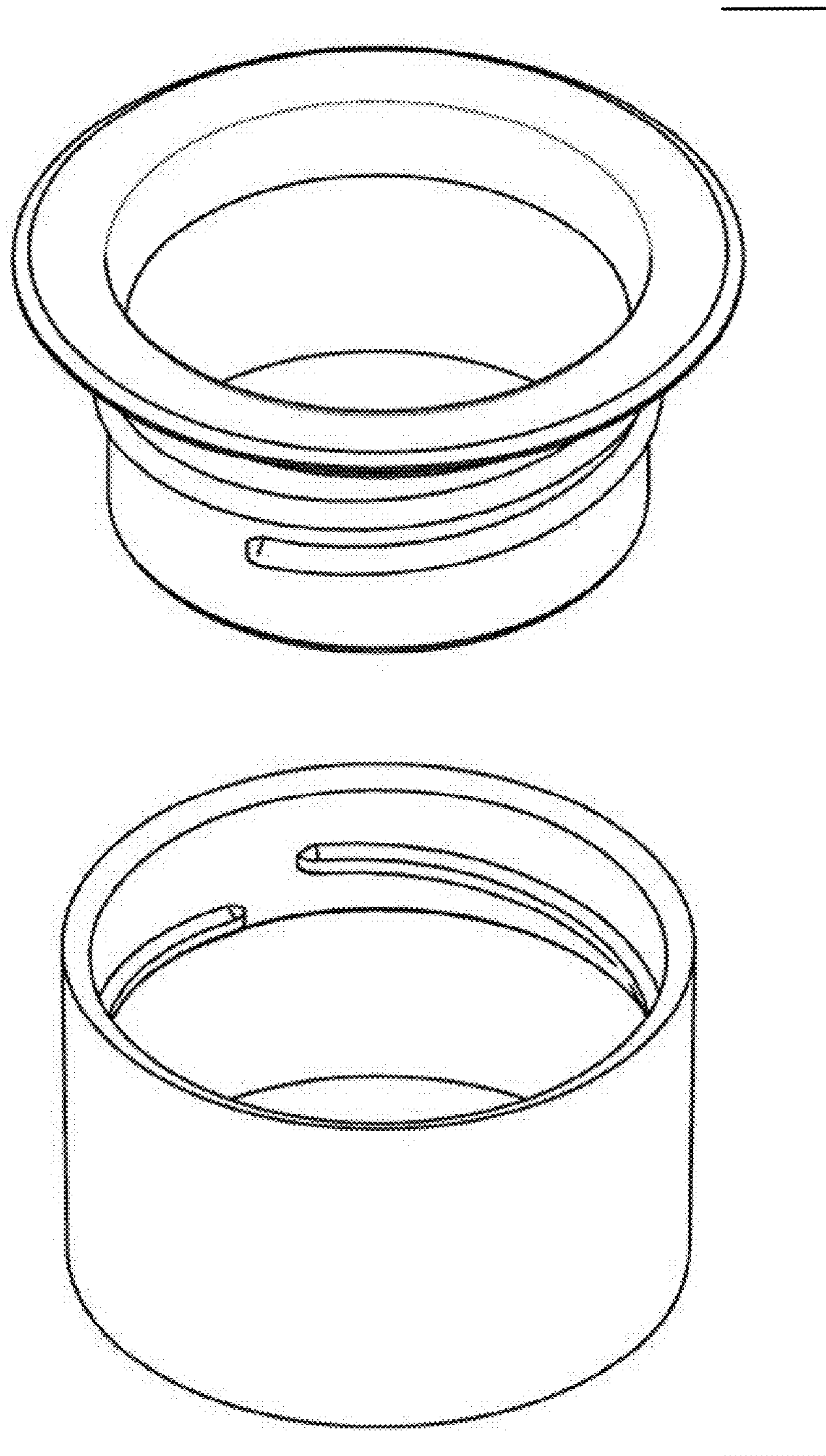


FIG. 20

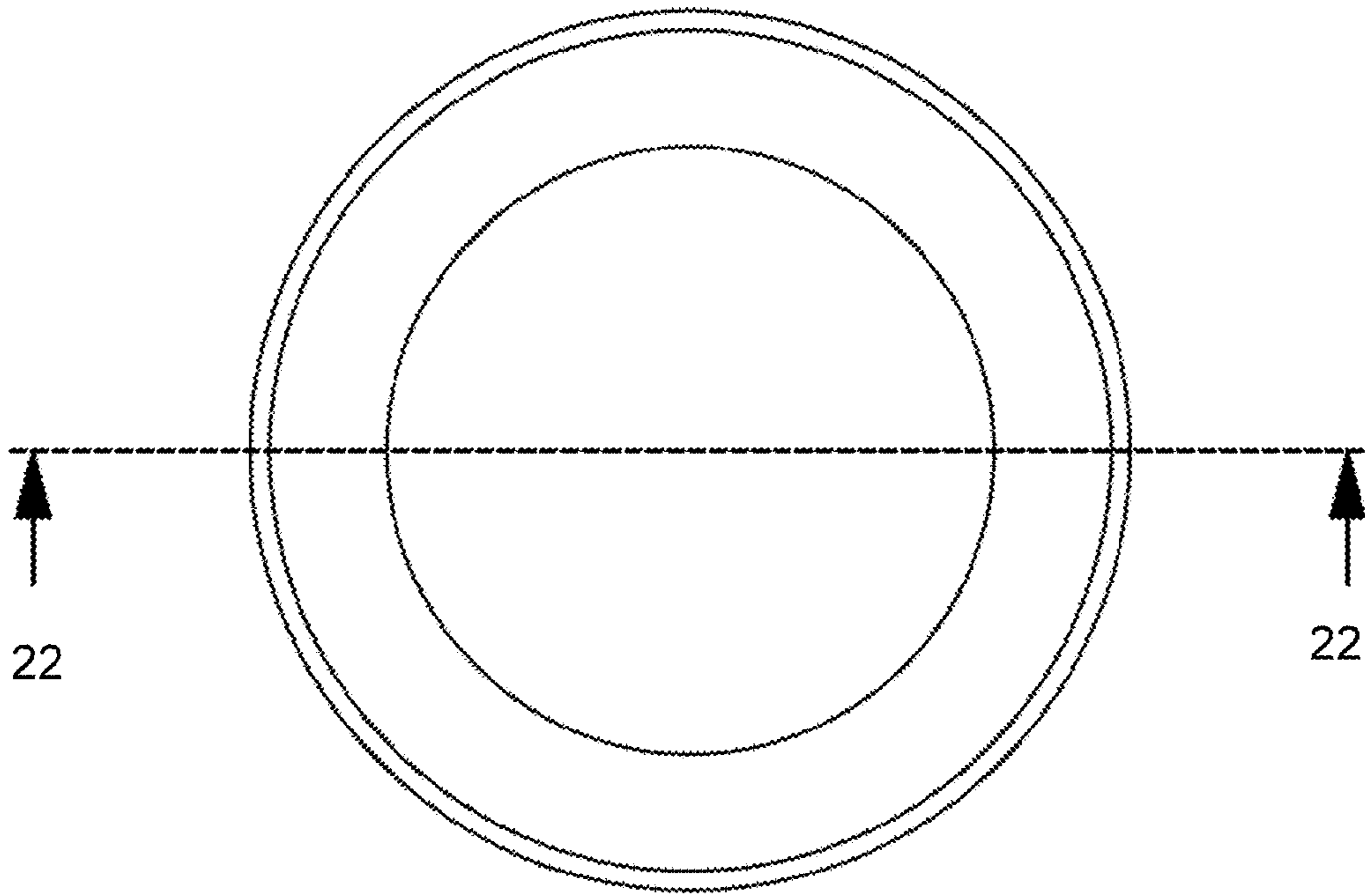


FIG. 21

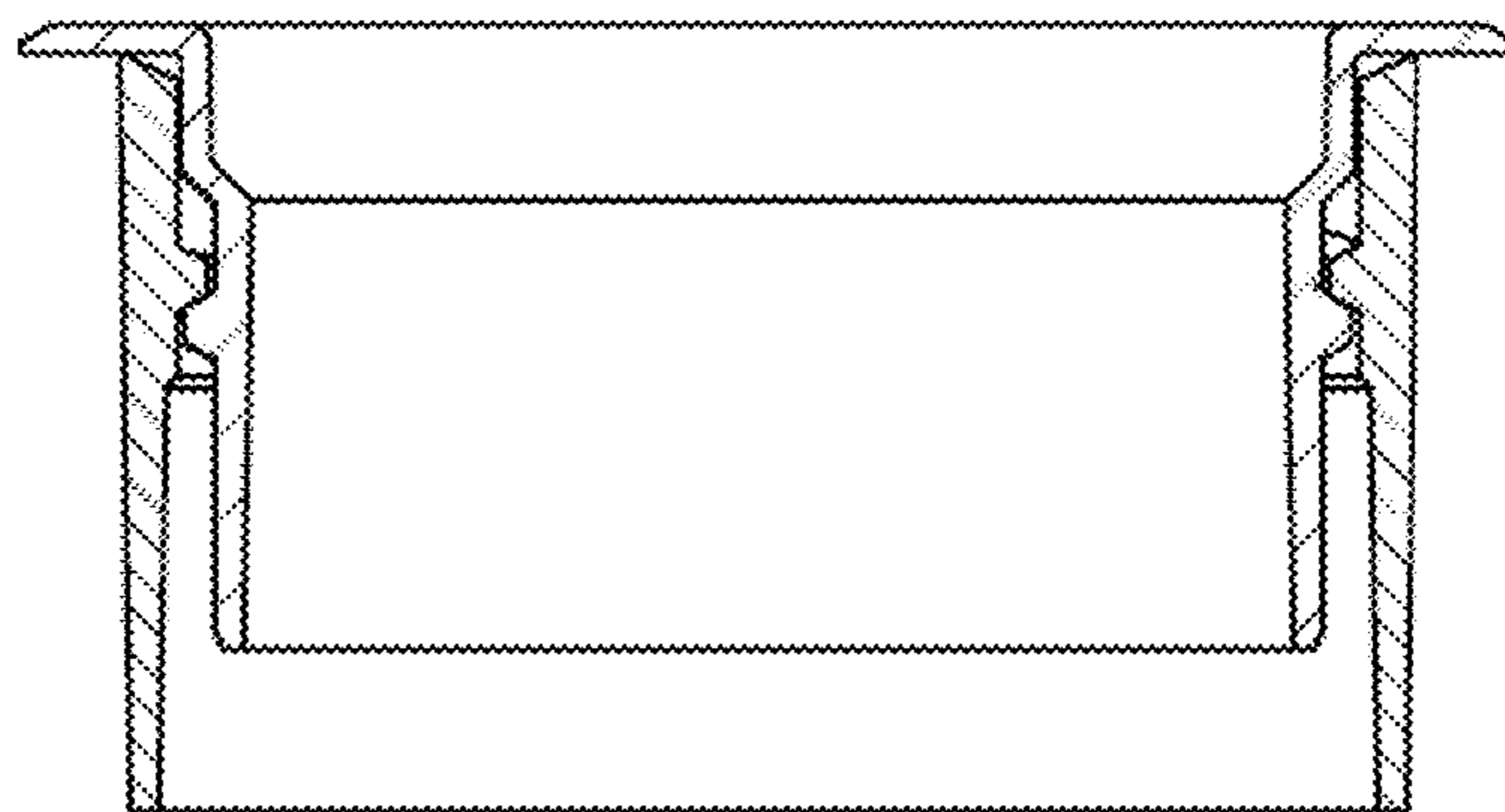


FIG. 22

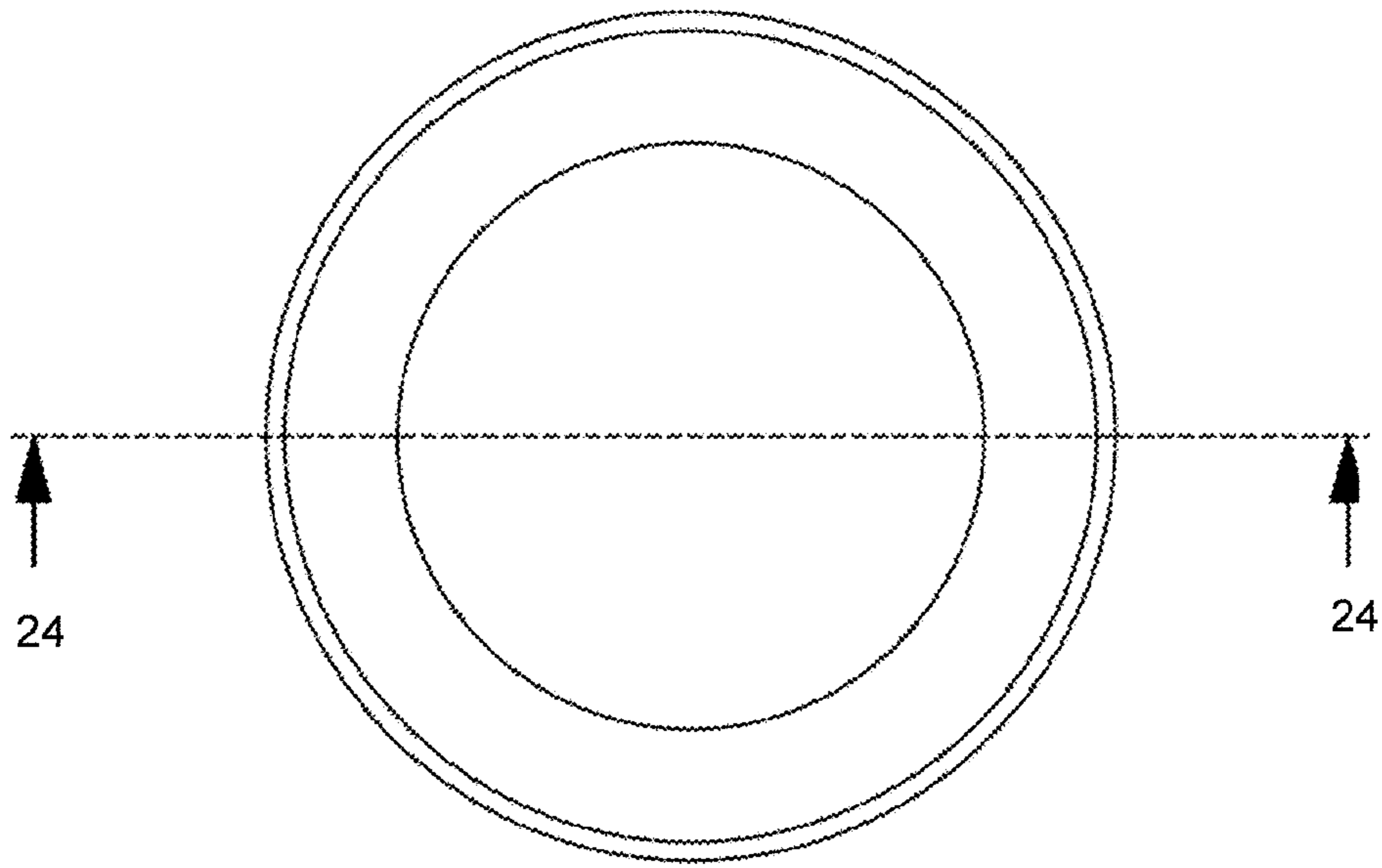


FIG. 23

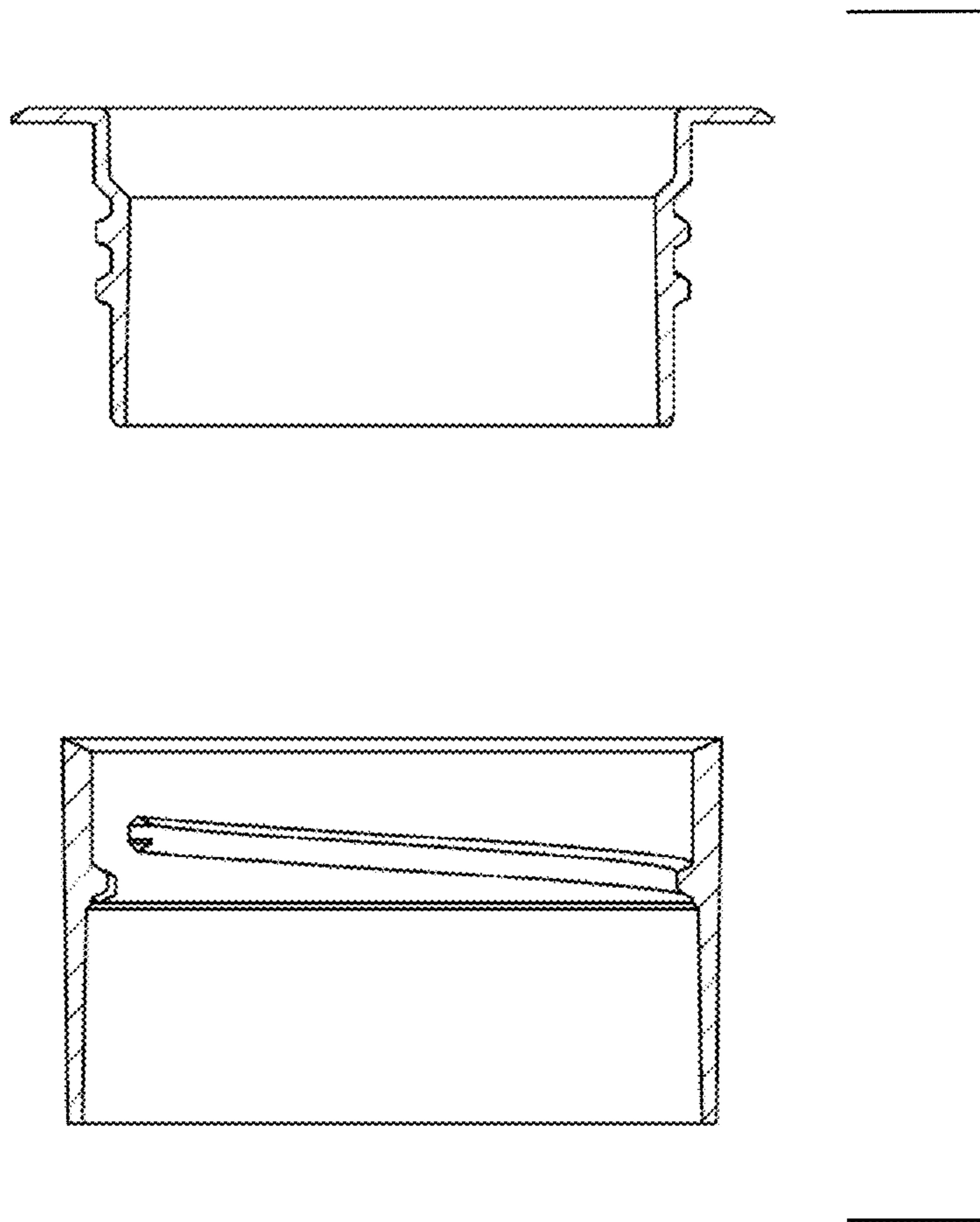


FIG. 24