



US00D739504S

(12) **United States Design Patent**
Standefer et al.

(10) **Patent No.:** **US D739,504 S**

(45) **Date of Patent:** **** Sep. 22, 2015**

(54) **FAUCET SPOUT**

(71) Applicant: **WATERWORKS IP COMPANY, LLC**, Danbury, CT (US)

(72) Inventors: **Robin Standefer**, New York, NY (US);
Stephen Alesch, New York, NY (US)

(73) Assignee: **WATERWORKS IP CO., LLC**, Danbury, CT (US)

(**) Term: **14 Years**

(21) Appl. No.: **29/509,260**

(22) Filed: **Nov. 14, 2014**

Related U.S. Application Data

(62) Division of application No. 29/477,981, filed on Dec. 30, 2013, now Pat. No. Des. 717,918, which is a division of application No. 29/428,544, filed on Jul. 31, 2012, now Pat. No. Des. 697,590.

(51) **LOC (10) Cl.** **23-01**

(52) **U.S. Cl.**
USPC **D23/255**

(58) **Field of Classification Search**
USPC D23/238, 241–243, 250, 252, 255, 257;
4/675–678; 137/801

See application file for complete search history.

(56) **References Cited**

U.S. PATENT DOCUMENTS

D81,314 S 6/1930 Kersten
D540,918 S * 4/2007 Haug et al. D23/241

OTHER PUBLICATIONS

Watermark Online Catalogue, Nov. 14, 2010.
Watermark Online catalogue, Jan. 4, 2011.

* cited by examiner

Primary Examiner — Robert Delehanty

(74) *Attorney, Agent, or Firm* — McDermott Will & Emery LLP

(57) **CLAIM**

The ornamental design for faucet spout, as shown and described.

DESCRIPTION

FIG. 1 is a front perspective view of the faucet spout, showing our new design.

FIG. 2 is a front view thereof;

FIG. 3 is a rear view thereof;

FIG. 4 is a side view thereof;

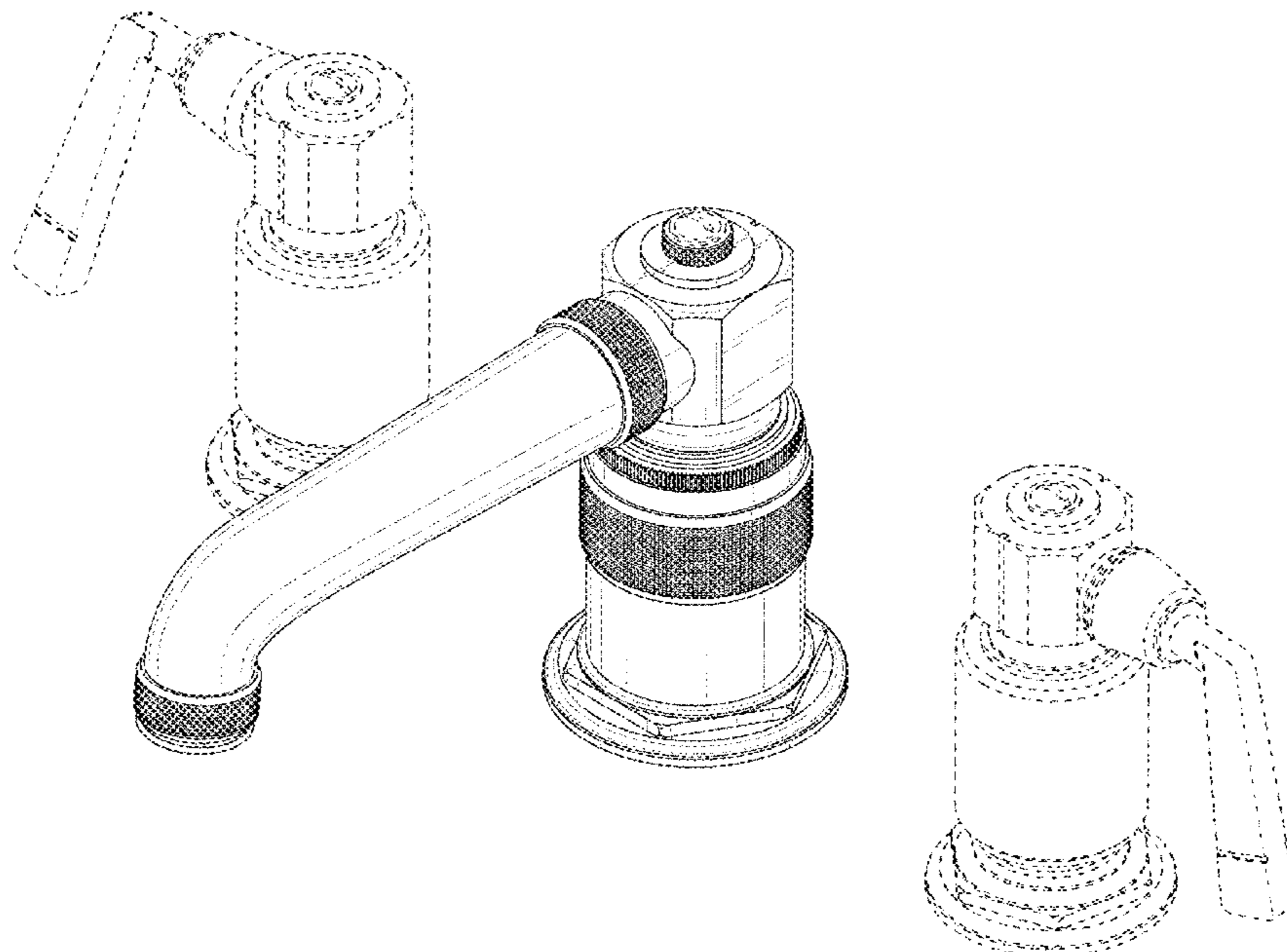
FIG. 5 is another side view thereof;

FIG. 6 is a top view thereof; and,

FIG. 7 is a bottom view thereof.

The broken lines showing various elements of the faucet spout and the faucet handles are included for the purpose of illustrating non-claimed subject matter and form no part of the claimed design.

1 Claim, 7 Drawing Sheets



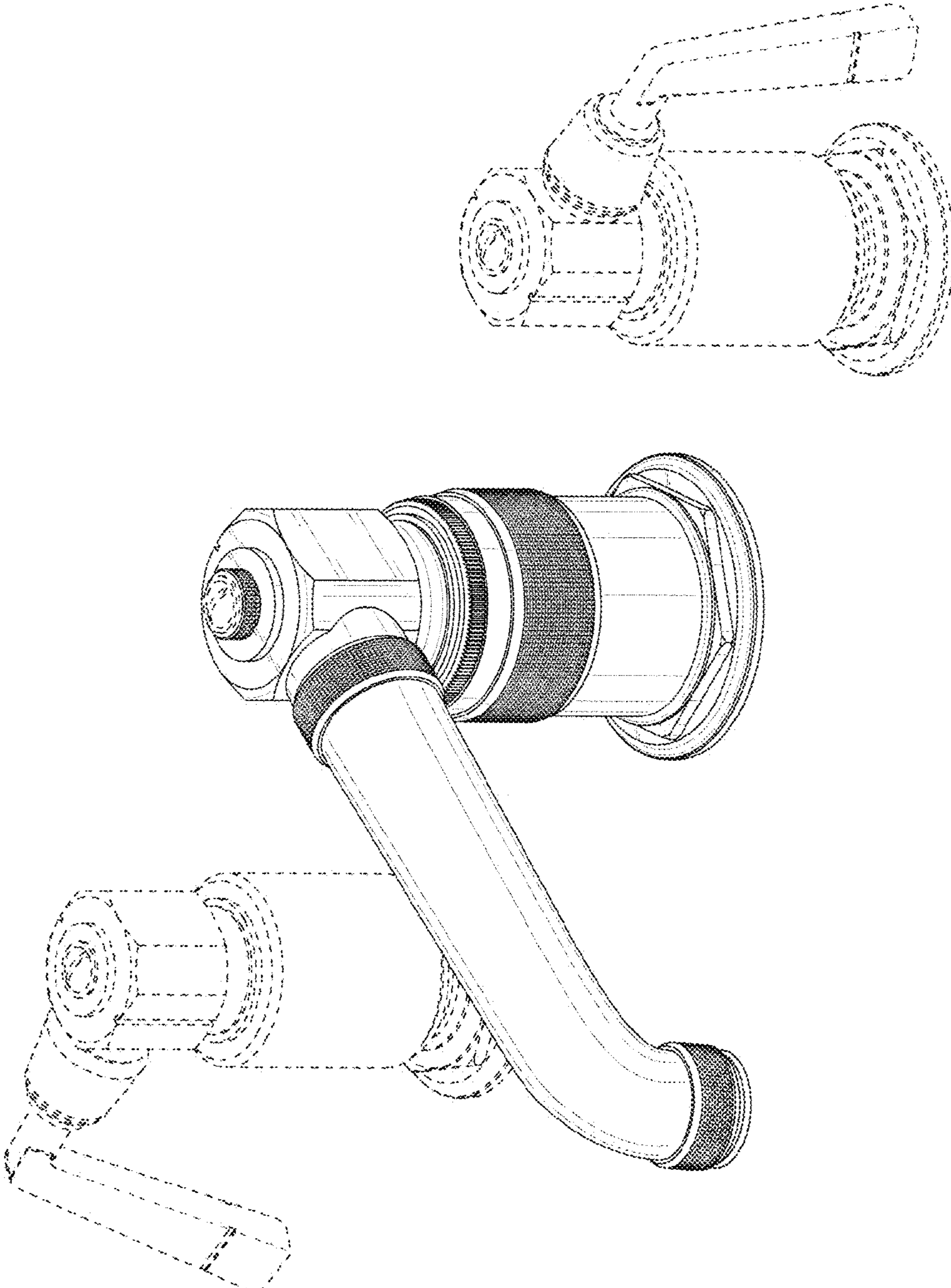


FIG. 1

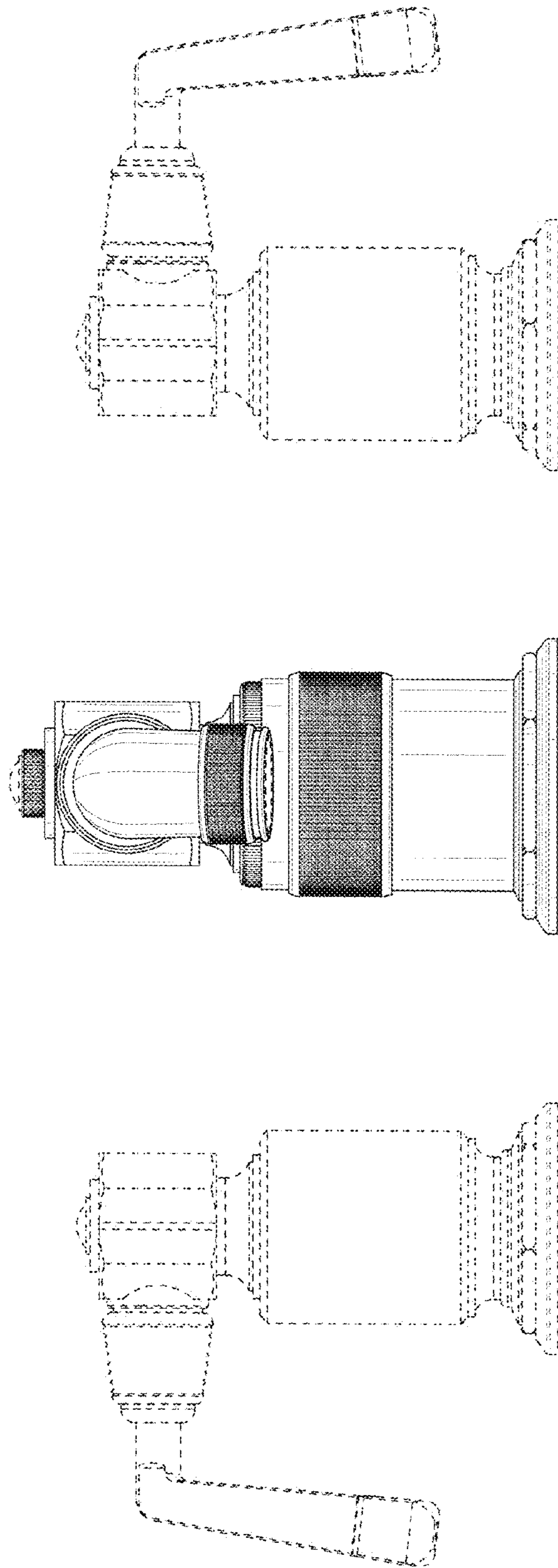


FIG. 2

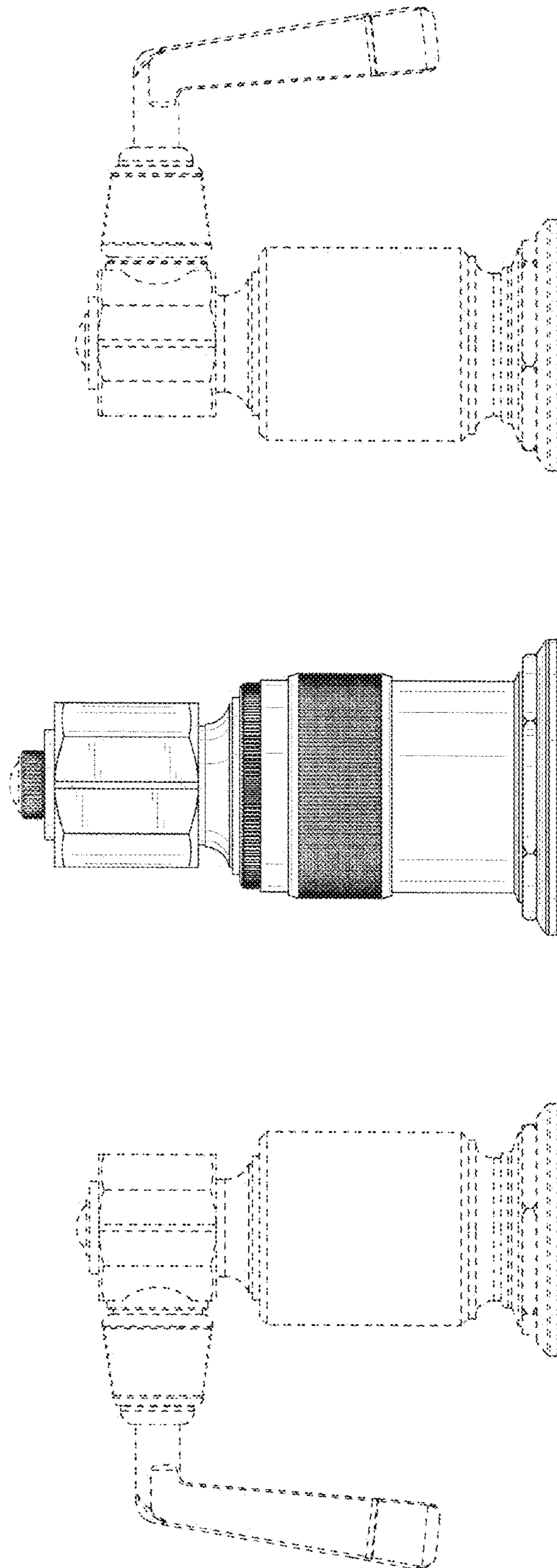


FIG. 3

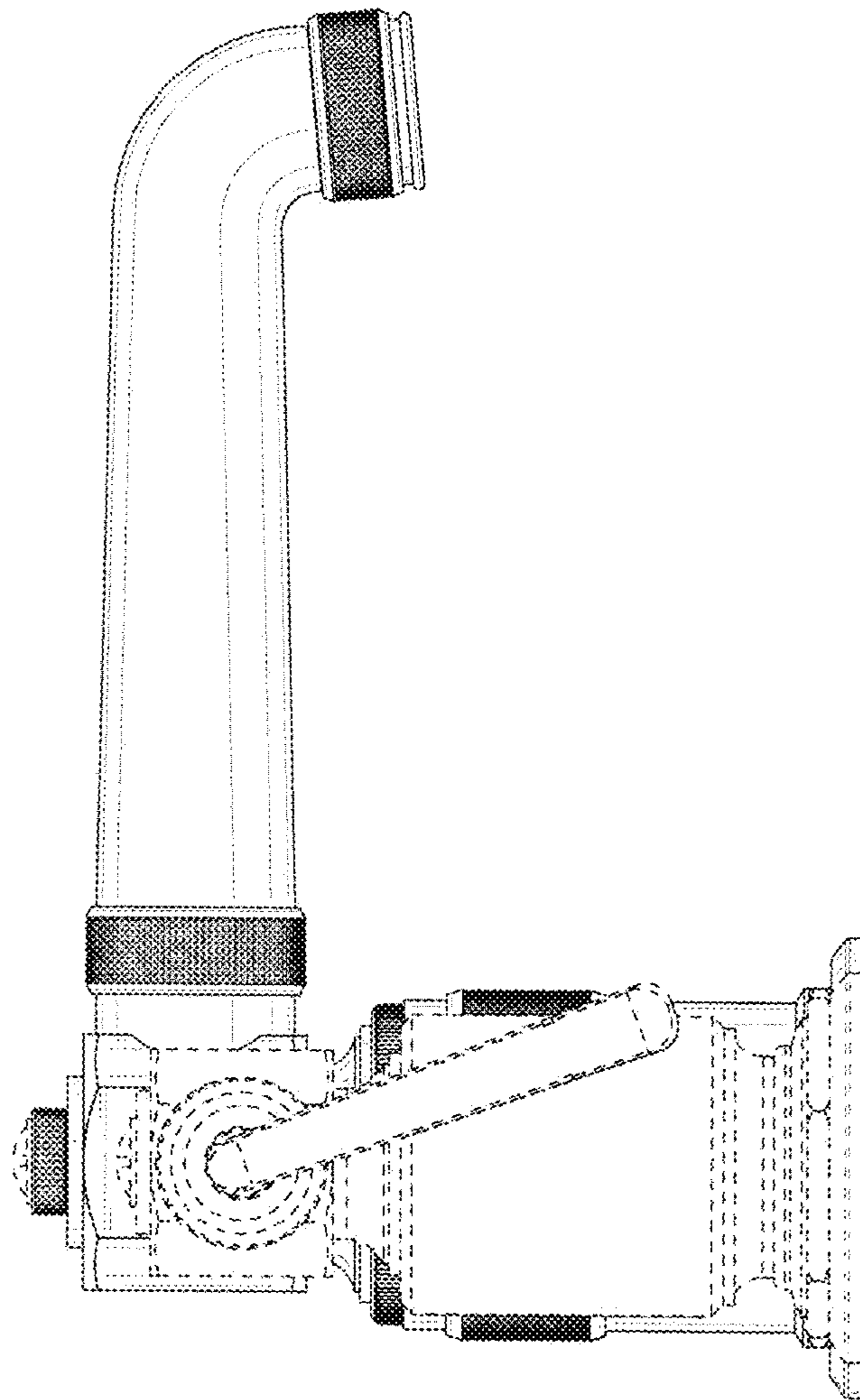


FIG. 4

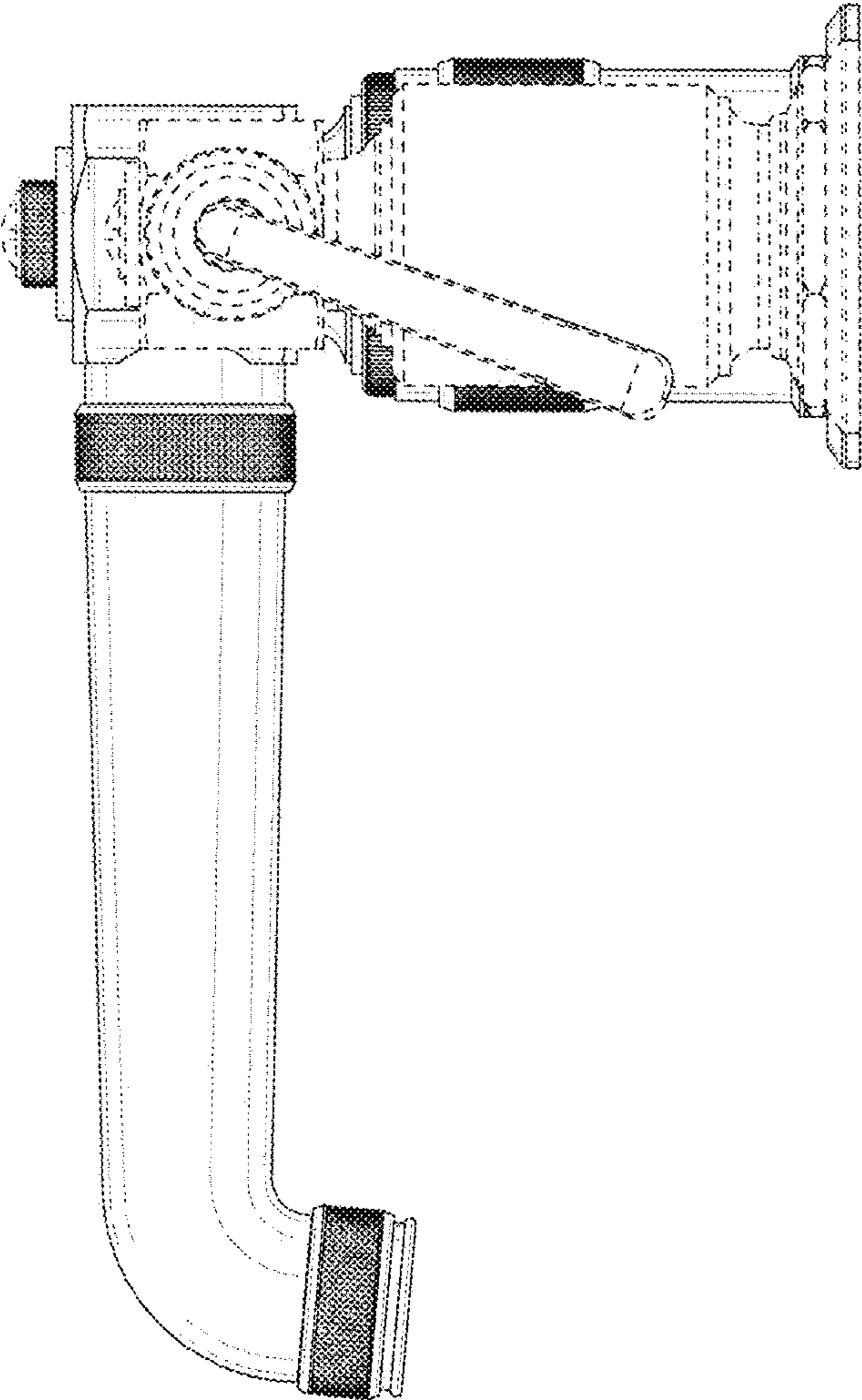


FIG. 5

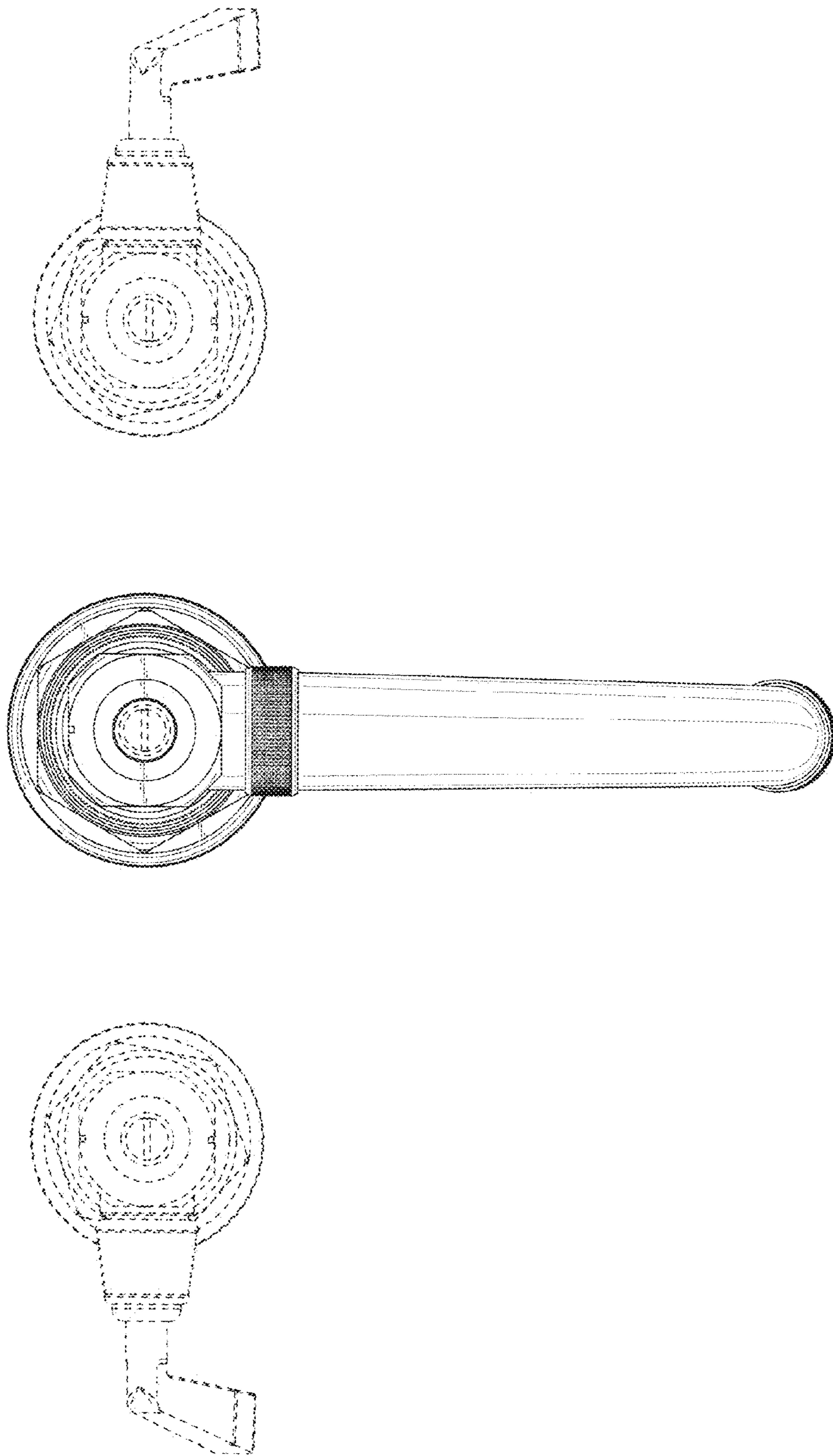


FIG. 6

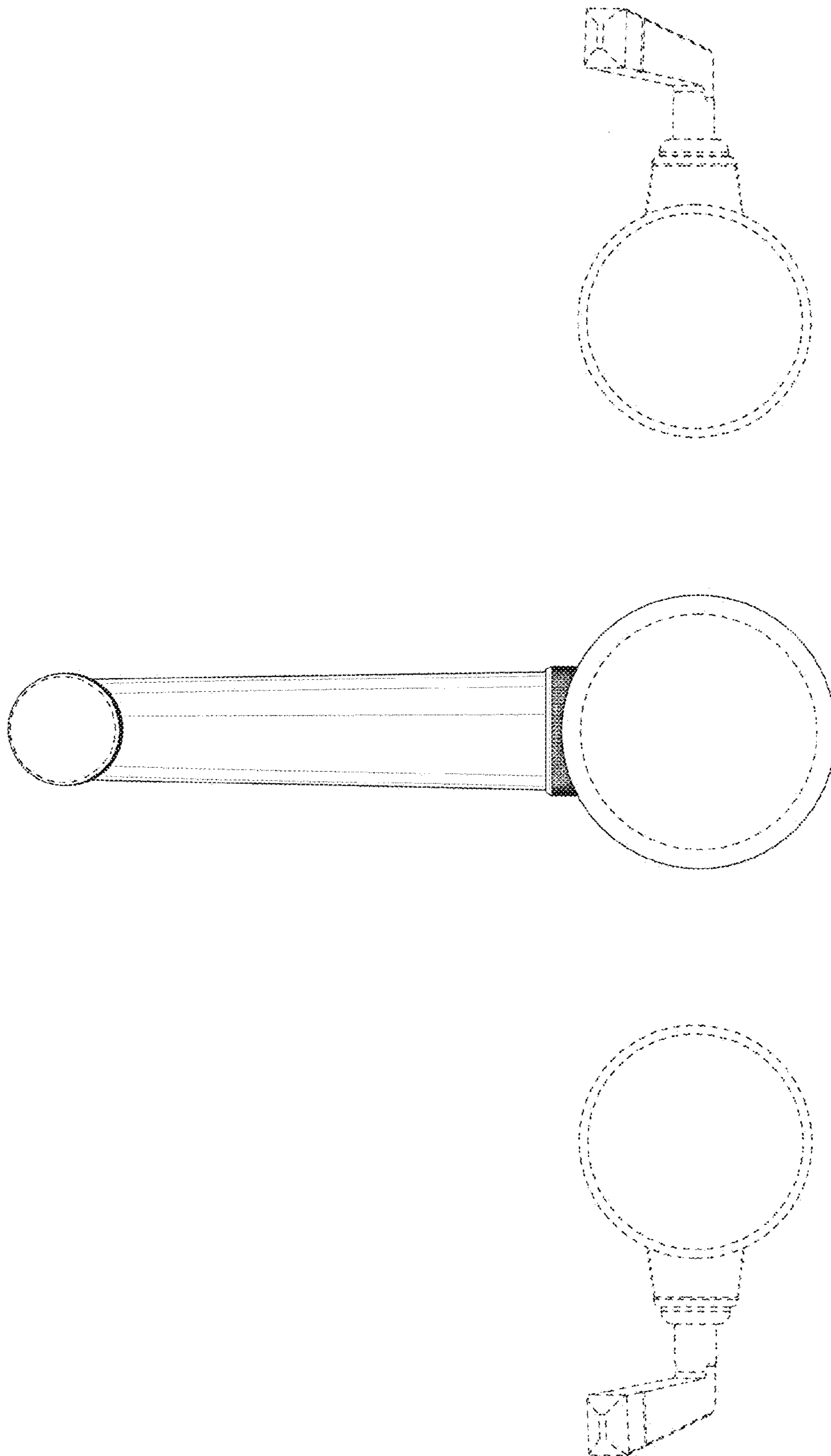


FIG. 7