

US00D739503S

(12) **United States Design Patent**
Bahler

(10) **Patent No.:** **US D739,503 S**

(45) **Date of Patent:** **** Sep. 22, 2015**

(54) **VALVE**

(56) **References Cited**

(71) Applicant: **Delta Faucet Company**, Indianapolis,
IN (US)

(72) Inventor: **Jordan Renee Bahler**, Frankfort, IN
(US)

(73) Assignee: **DELTA FAUCET COMPANY**,
Indianapolis, IN (US)

(**) Term: **14 Years**

(21) Appl. No.: **29/514,107**

(22) Filed: **Jan. 8, 2015**

(51) **LOC (10) Cl.** **23-01**

(52) **U.S. Cl.**

USPC **D23/252**; D23/242

(58) **Field of Classification Search**

USPC D23/238, 241-243, 249, 250, 252

CPC E03C 1/04; E03C 1/0401; E03C 1/0402;

E03C 1/0404

See application file for complete search history.

U.S. PATENT DOCUMENTS

D296,815 S *	7/1988	Jans	D23/252
D319,294 S *	8/1991	Kohler et al.	D23/254
D322,839 S *	12/1991	Kohler, Jr.	D23/254
D531,698 S *	11/2006	Wood et al.	D23/238
D573,233 S *	7/2008	Dolan	D23/250
D627,441 S *	11/2010	Sedwick	D23/252

* cited by examiner

Primary Examiner — Robert Delehanty

(74) *Attorney, Agent, or Firm* — Edgar A. Zarins; Nirav D. Parikh

(57) **CLAIM**

The ornamental design for a valve, as shown and described.

DESCRIPTION

FIG. 1 is a perspective view of a valve showing my new design;

FIG. 2 is a first side view thereof, the opposite side being a mirror image of the side shown;

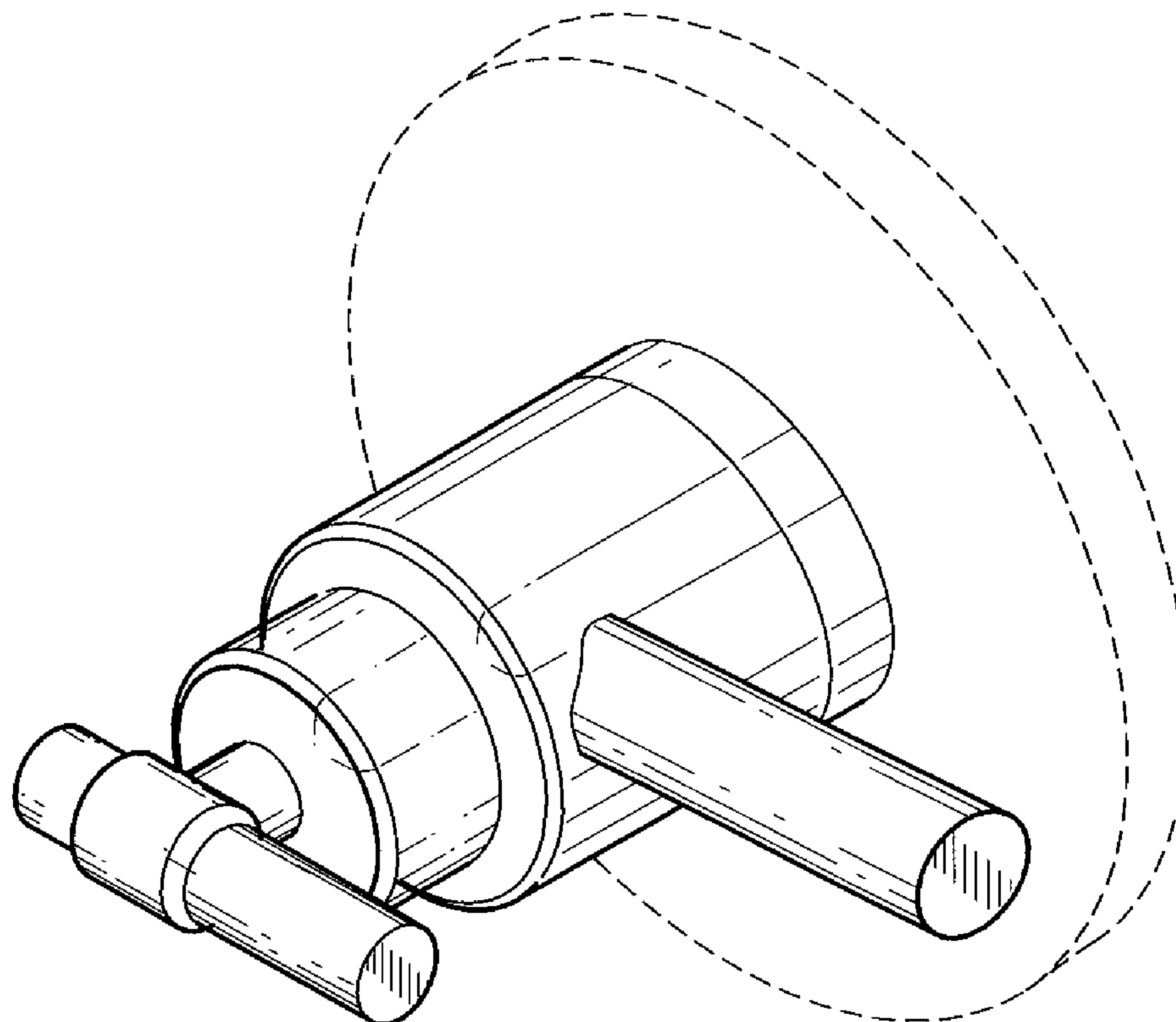
FIG. 3 is a second side view thereof;

FIG. 4 is a front elevational view thereof; and,

FIG. 5 is a rear view thereof.

The broken lines shown in the drawings are included for the purpose of illustrating a portion of the valve that forms no part of the claimed design.

1 Claim, 2 Drawing Sheets



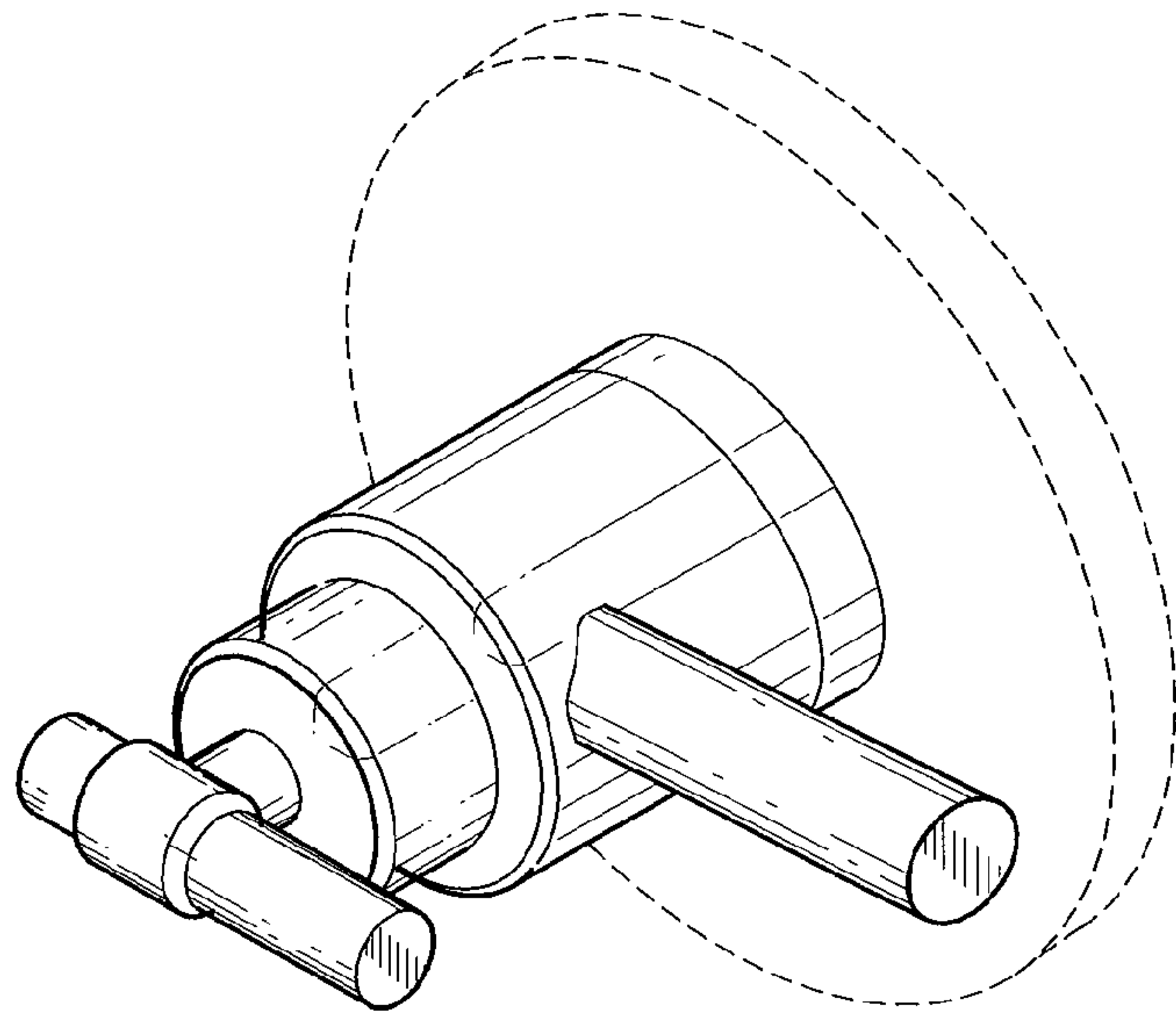


Fig-1

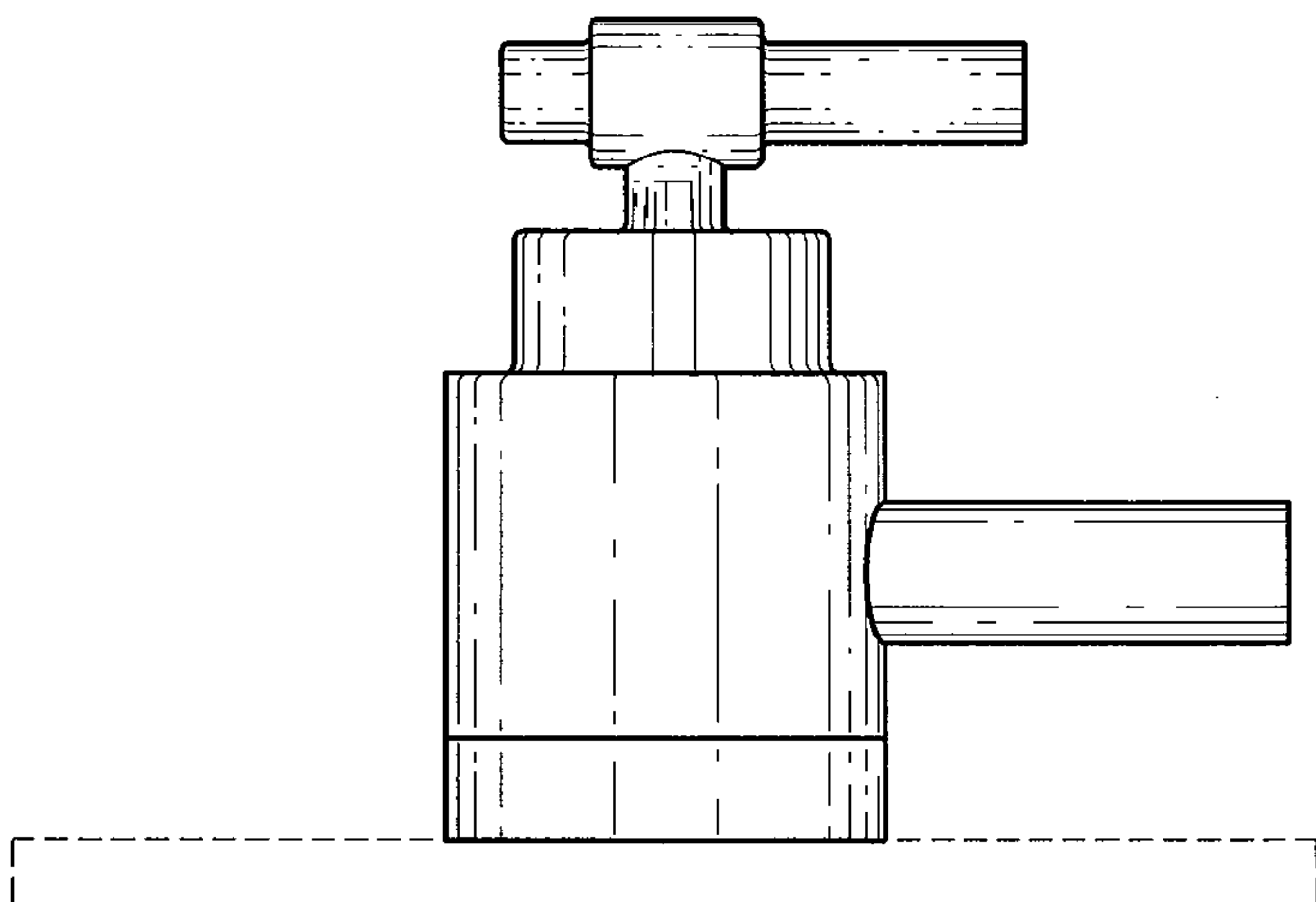
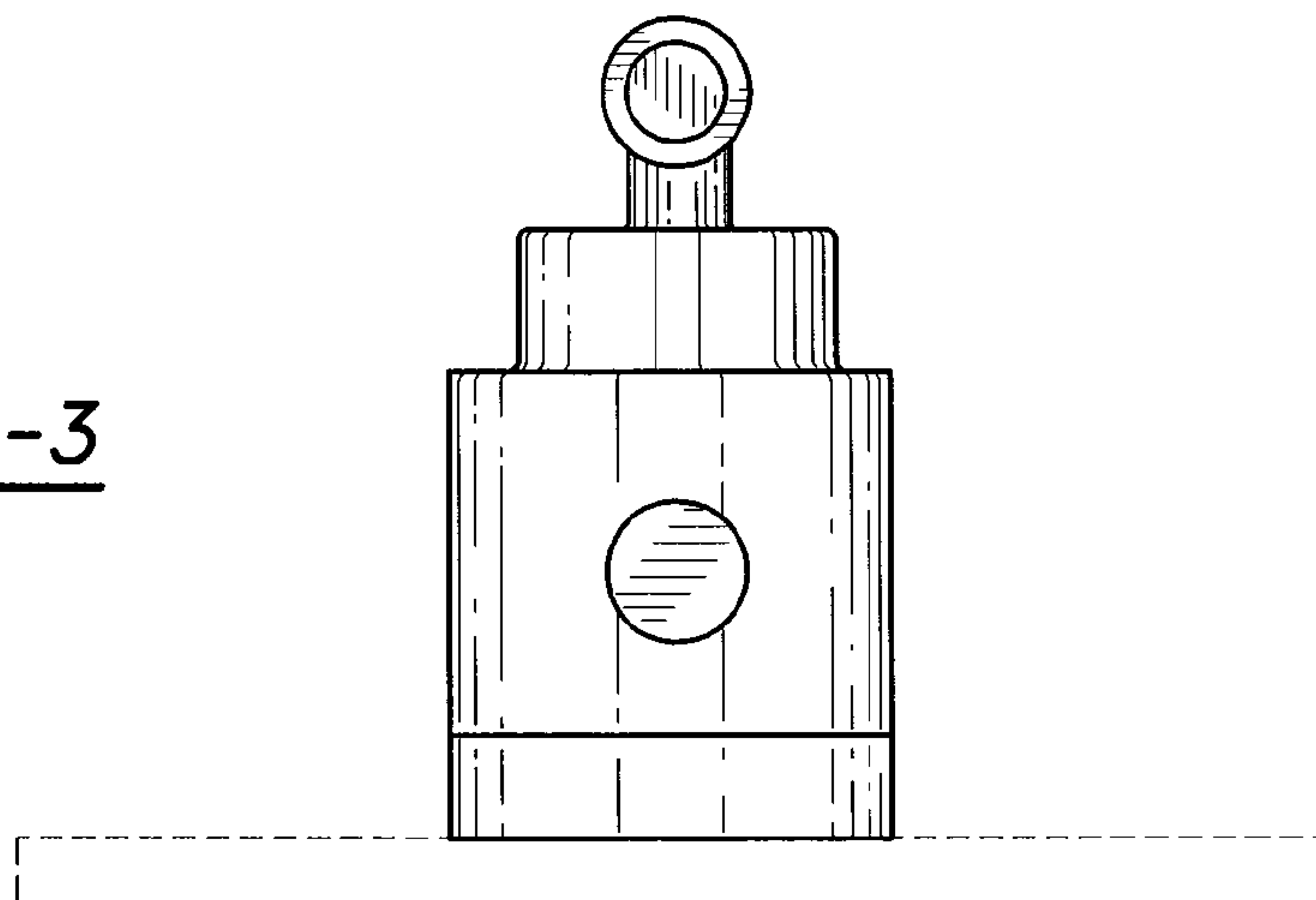


Fig-2

Fig-3



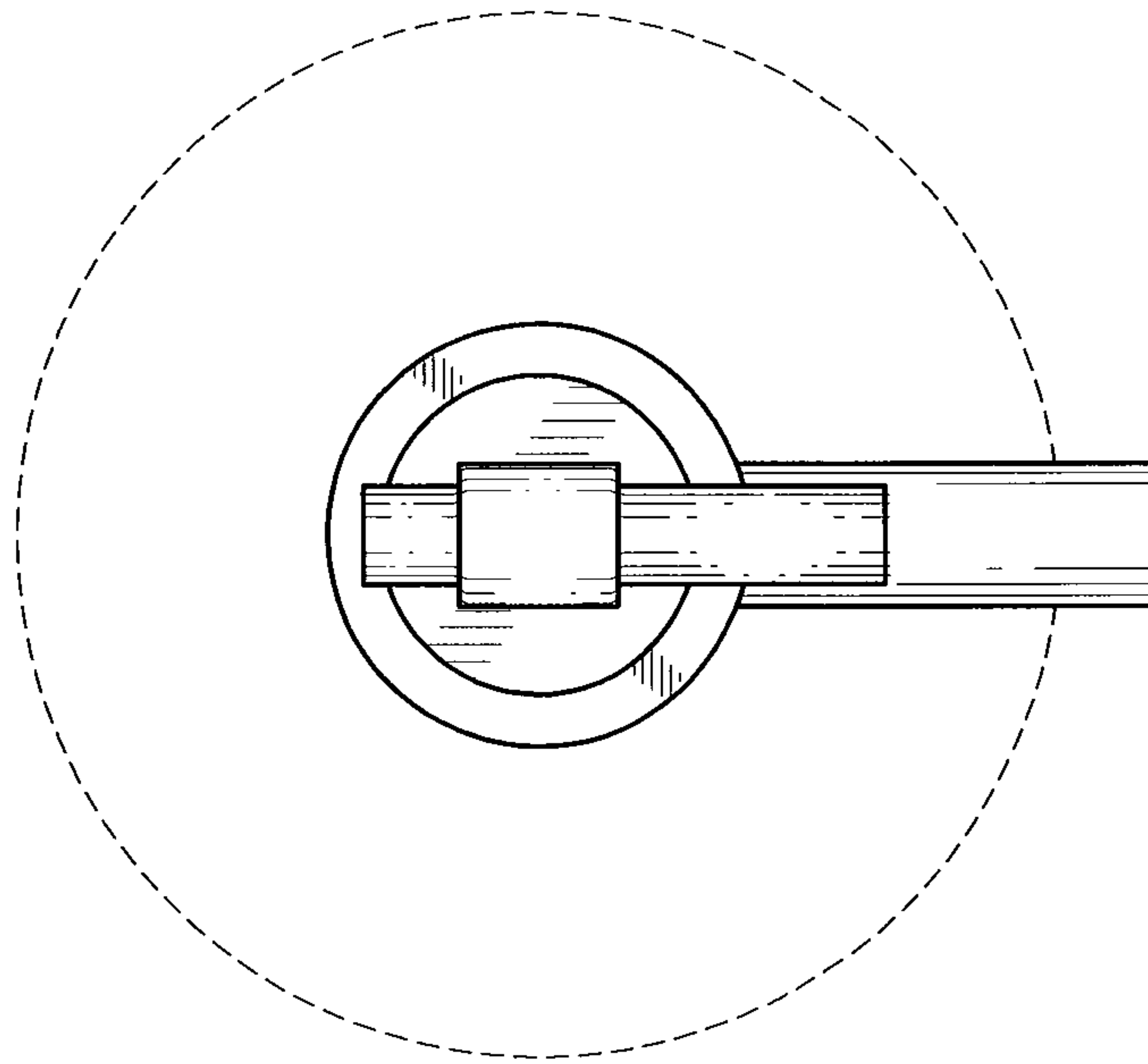


Fig-4

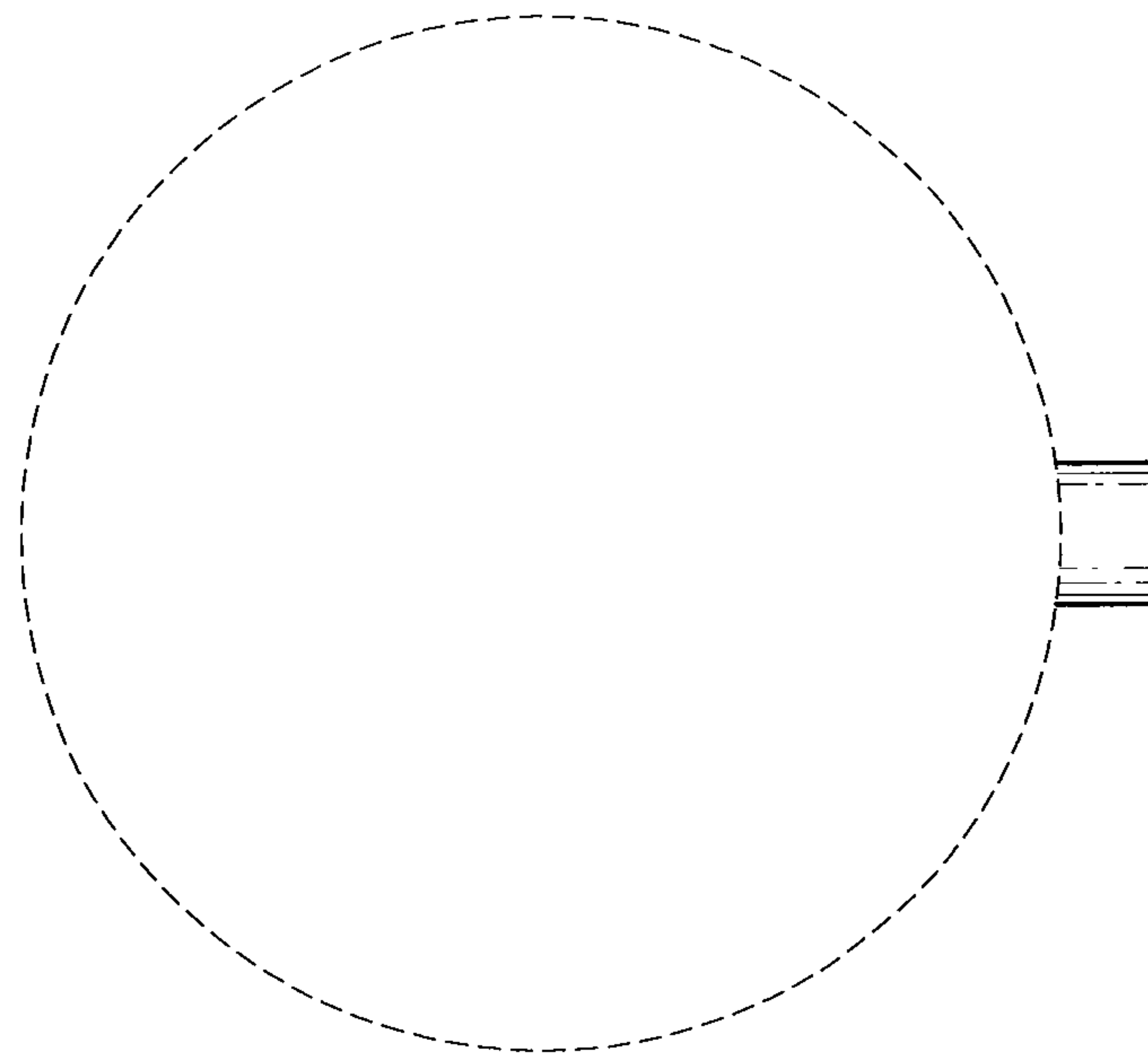


Fig-5