



US00D739502S

(12) **United States Design Patent**  
**Bahler**

(10) **Patent No.:** **US D739,502 S**

(45) **Date of Patent:** **\*\* Sep. 22, 2015**

(54) **VALVE**

(71) Applicant: **Delta Faucet Company**, Indianapolis, IN (US)

(72) Inventor: **Jordan Renee Bahler**, Frankfort, IN (US)

(73) Assignee: **DELTA FAUCET COMPANY**, Indianapolis, IN (US)

(\*\*) Term: **14 Years**

(21) Appl. No.: **29/514,049**

(22) Filed: **Jan. 8, 2015**

(51) **LOC (10) Cl.** ..... **23-01**

(52) **U.S. Cl.**  
USPC ..... **D23/252; D23/242**

(58) **Field of Classification Search**  
USPC ..... D23/238, 241–243, 249, 250, 252  
CPC ..... E03C 1/04; E03C 1/0401; E03C 1/0402;  
E03C 1/0404  
See application file for complete search history.

(56) **References Cited**

**U.S. PATENT DOCUMENTS**

D297,758 S \* 9/1988 Paul ..... D23/252  
D319,294 S \* 8/1991 Kohler et al. .... D23/254  
D322,839 S \* 12/1991 Kohler, Jr. .... D23/254

D542,384 S \* 5/2007 Starck ..... D23/254  
D576,708 S \* 9/2008 Citterio ..... D23/238  
D592,284 S \* 5/2009 Lammel et al. .... D23/254  
D595,812 S \* 7/2009 Williams et al. .... D23/254  
D620,562 S \* 7/2010 Hanna ..... D23/250  
D624,989 S \* 10/2010 Sieger ..... D23/238  
D627,444 S \* 11/2010 Yokoyama et al. .... D23/254  
D679,781 S \* 4/2013 Flowers et al. .... D23/250

\* cited by examiner

*Primary Examiner* — Robert Delehanty

(74) *Attorney, Agent, or Firm* — Edgar A. Zarins; Nirav D. Parikh

(57) **CLAIM**

The ornamental design for a valve, as shown and described.

**DESCRIPTION**

FIG. 1 is a perspective view of a valve showing my new design;

FIG. 2 is a front elevational view thereof;

FIG. 3 is a right side view thereof, the opposite side being a mirror image of the side shown;

FIG. 4 is a bottom view thereof; and,

FIG. 5 is a top plan view thereof.

The broken lines shown in the drawings are included for the purpose of illustrating a portion of the valve that forms no part of the claimed design.

**1 Claim, 1 Drawing Sheet**

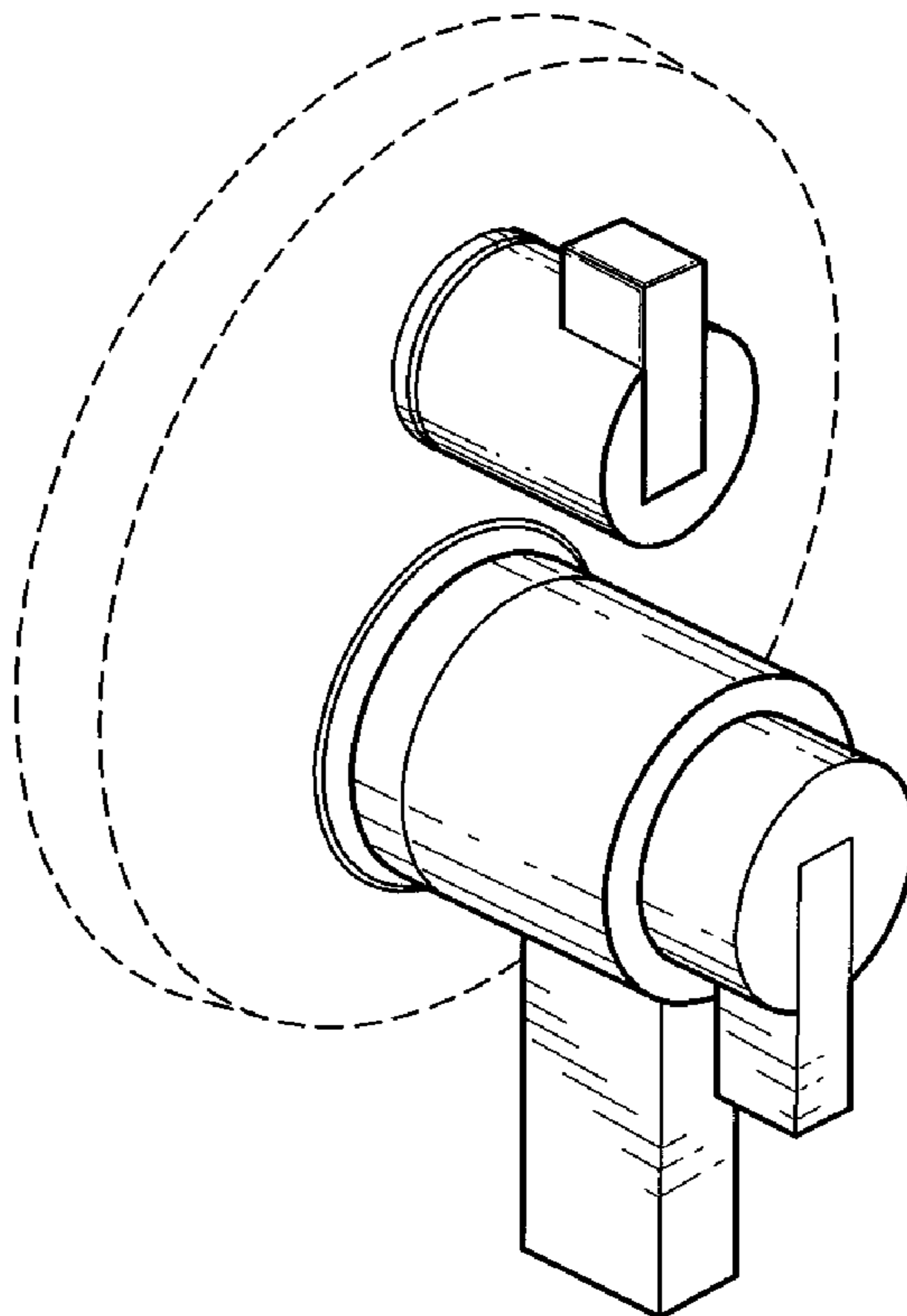


Fig-1

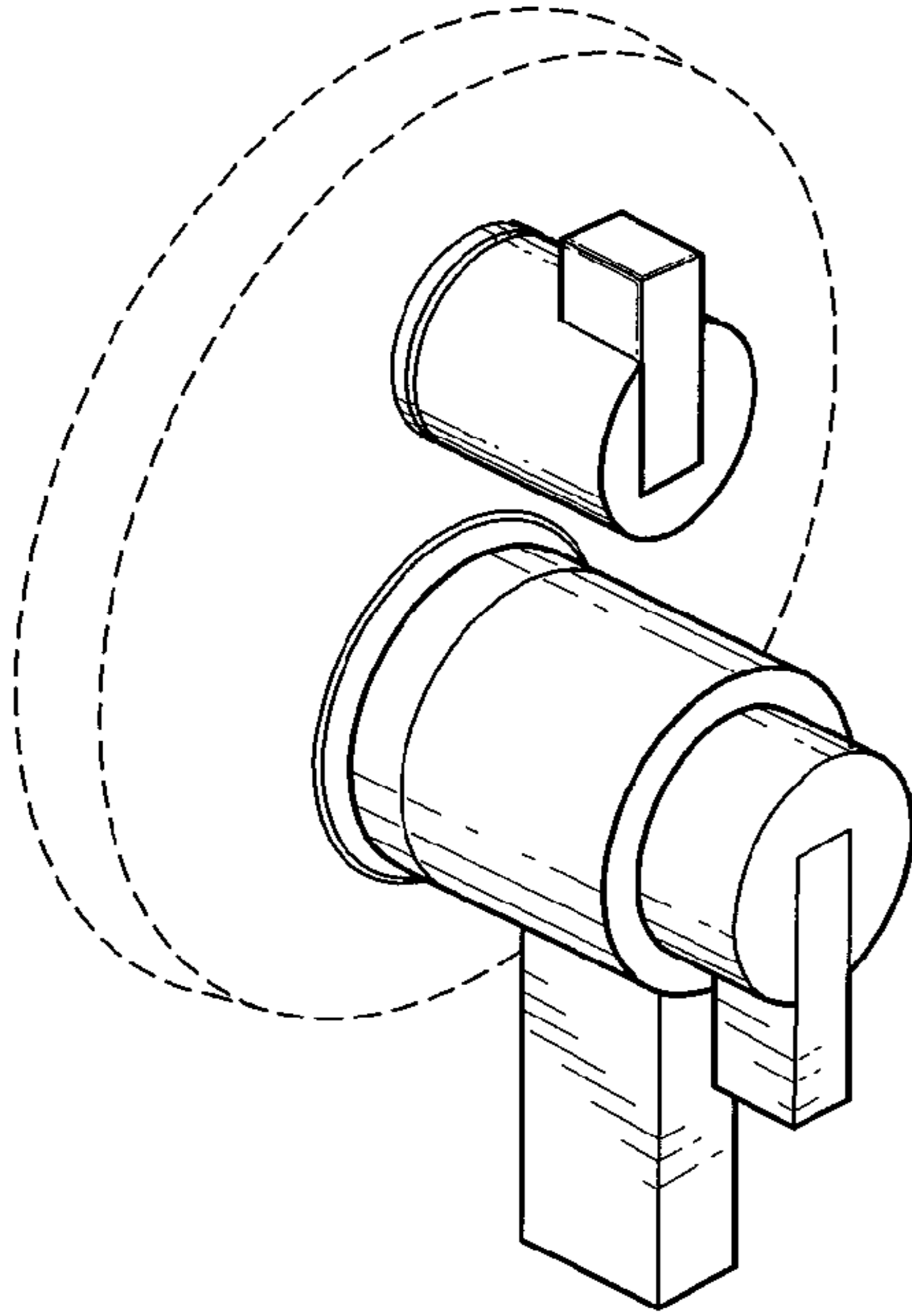


Fig-2

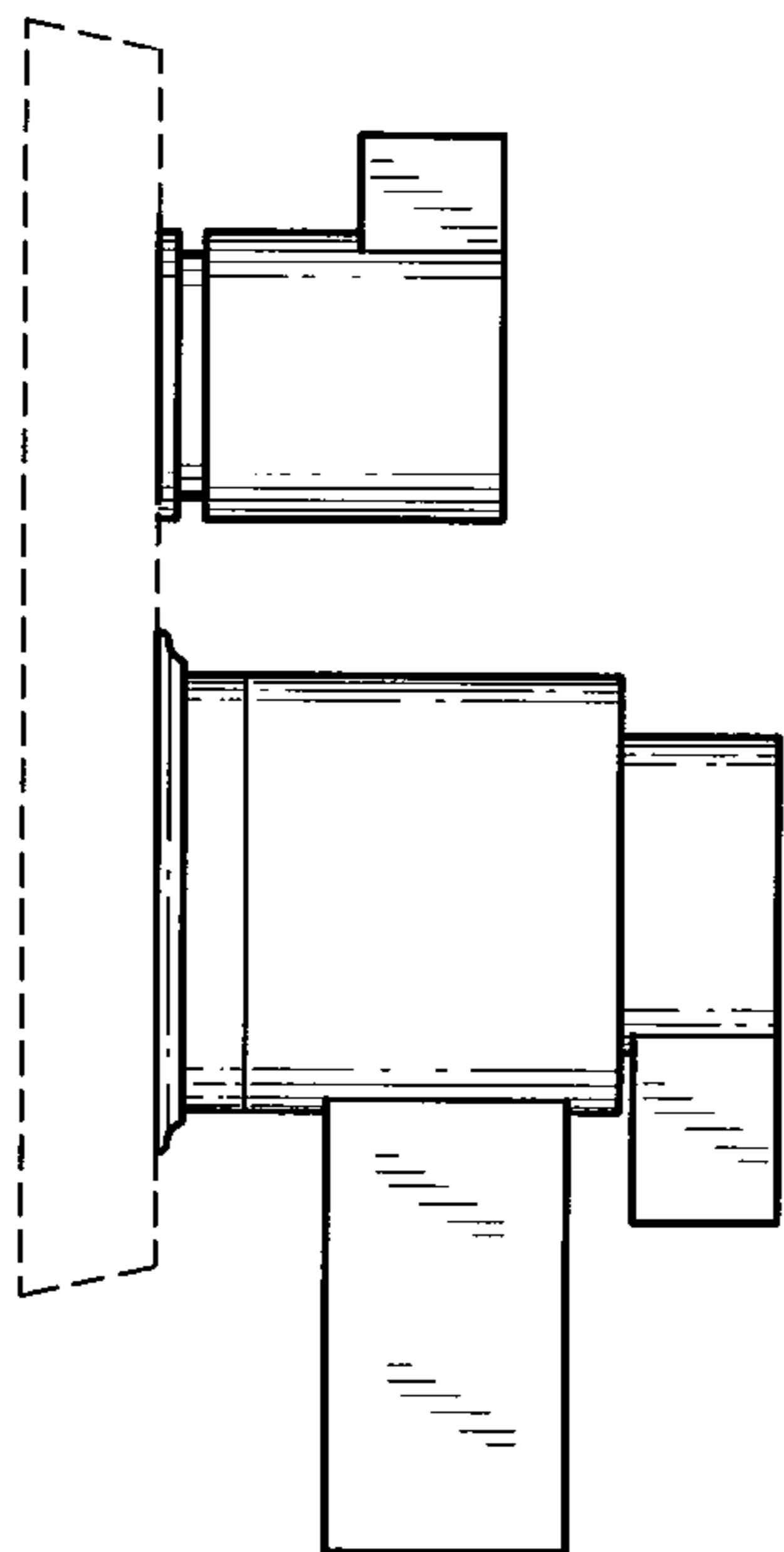
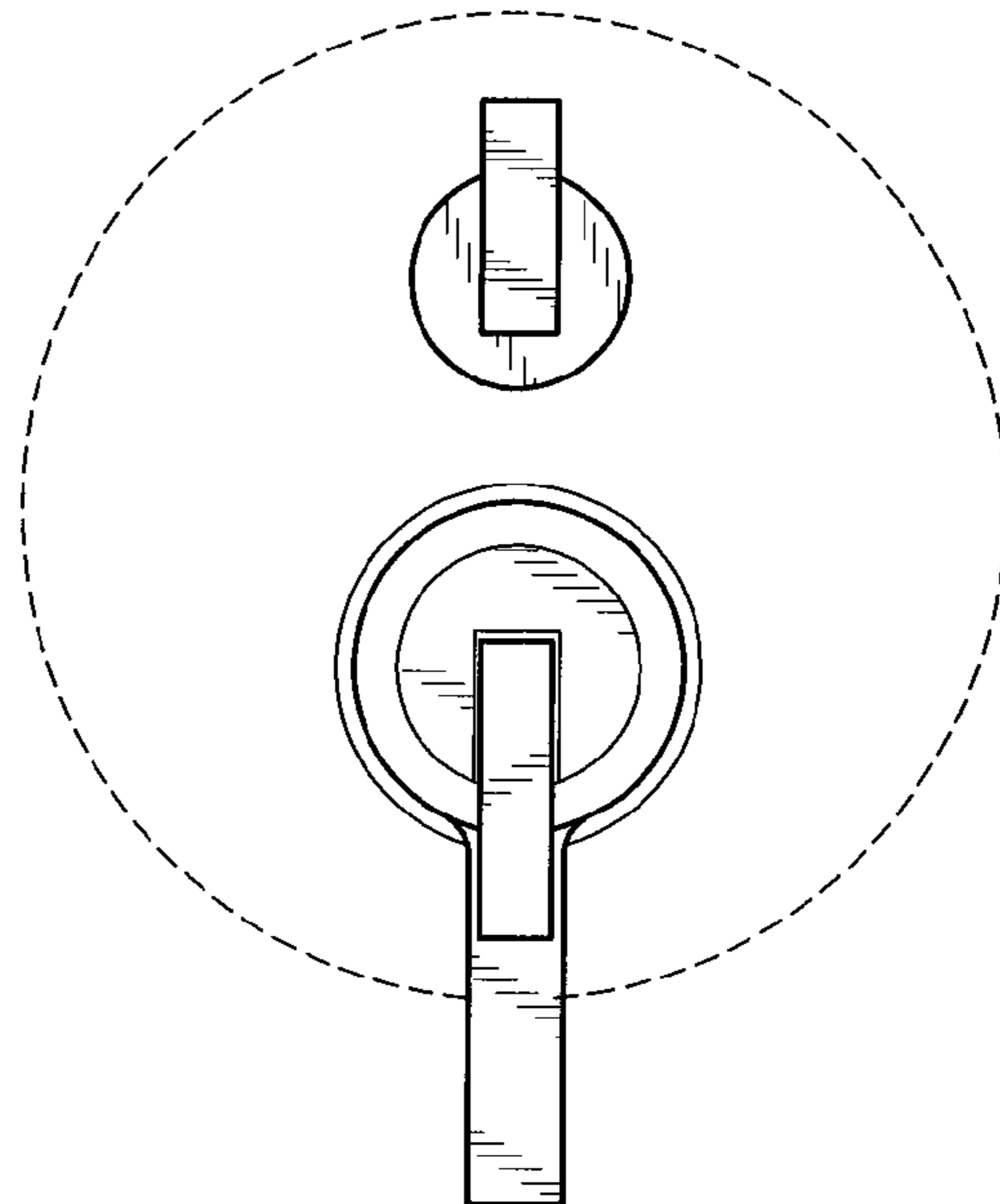


Fig-3

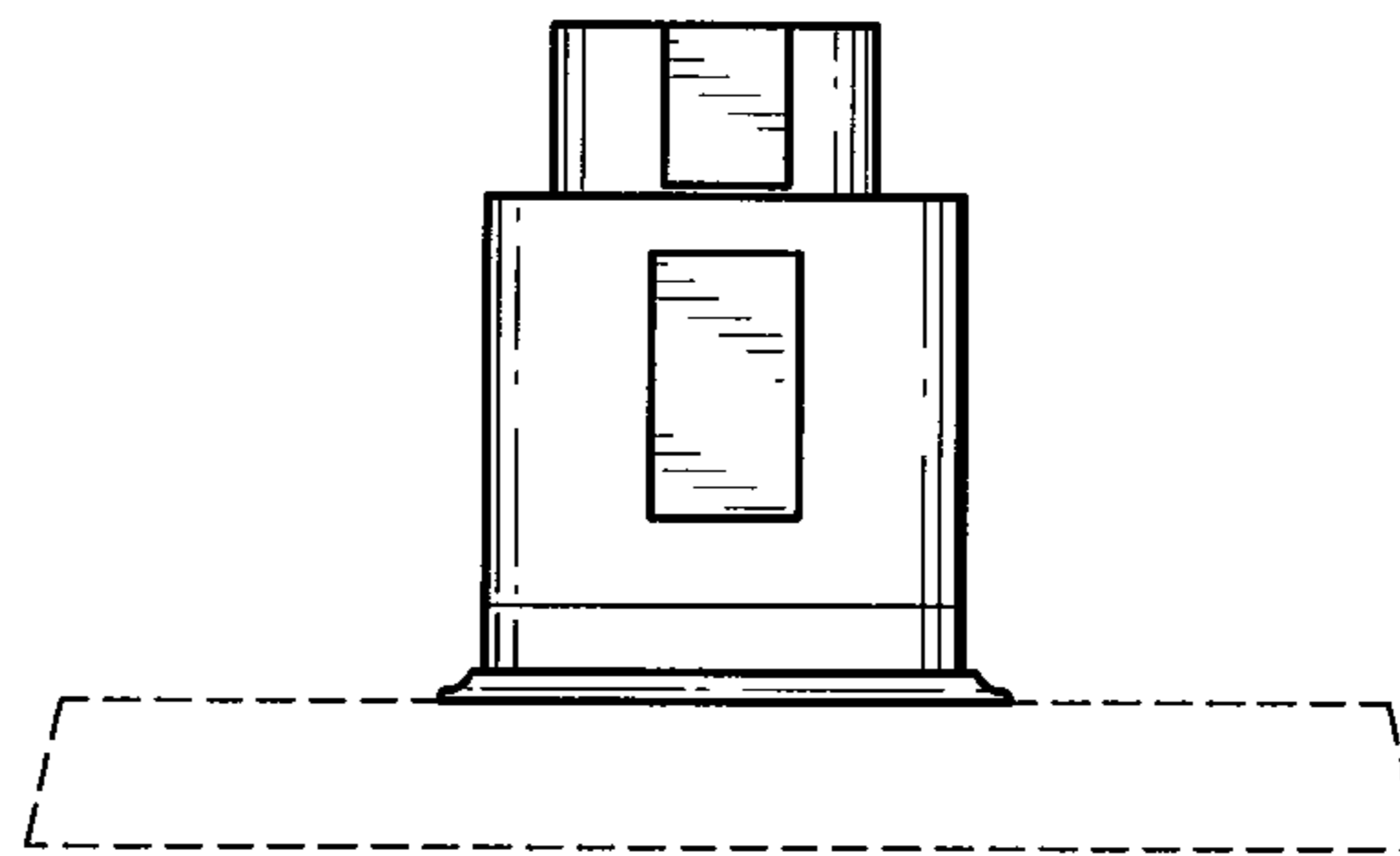


Fig-4

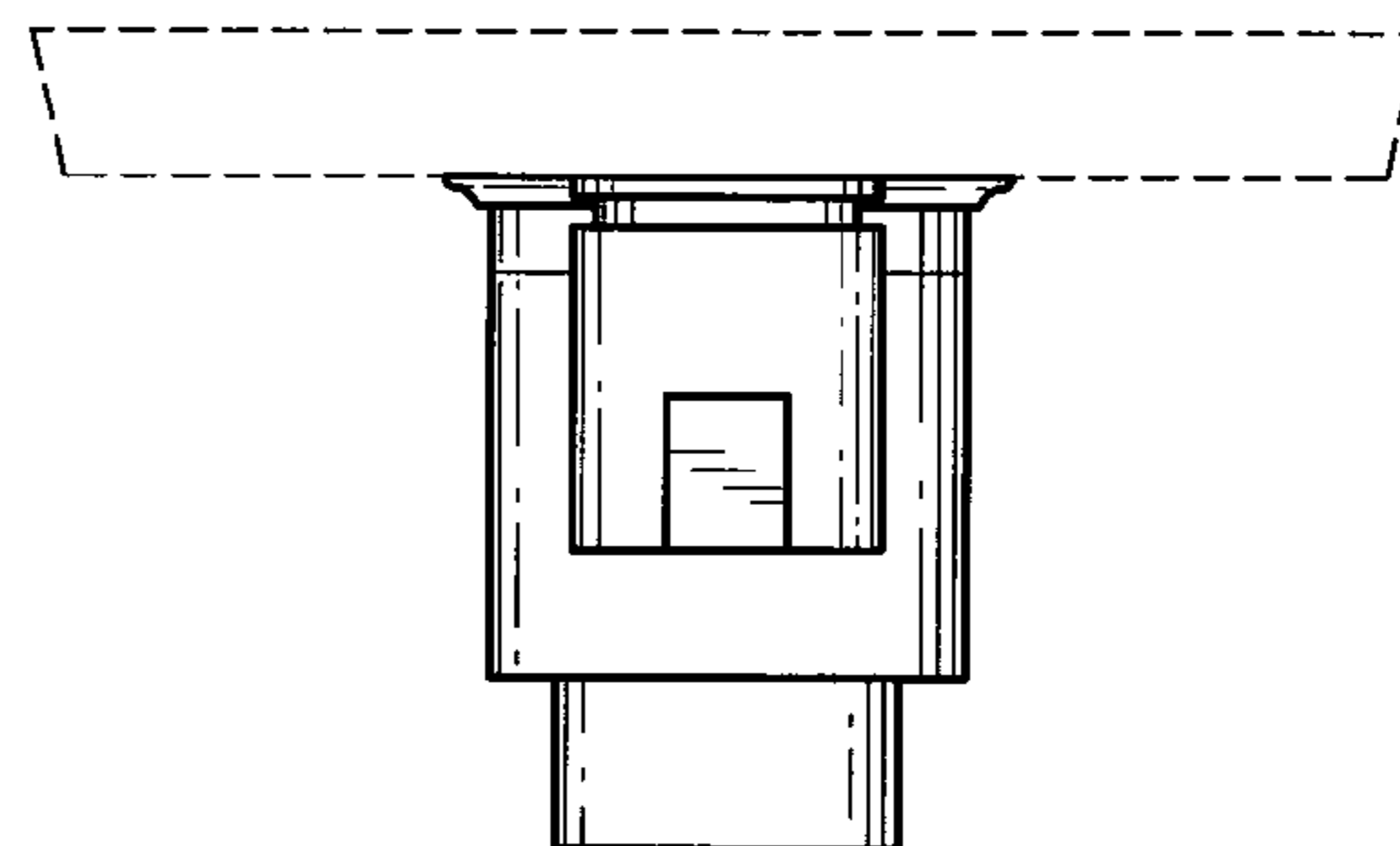


Fig-5