



US00D739501S

(12) **United States Design Patent**
Flowers et al.

(10) **Patent No.:** **US D739,501 S**

(45) **Date of Patent:** **** Sep. 22, 2015**

(54) **BATH HANDLE**

(71) Applicant: **Grohe AG**, Hemer (DE)

(72) Inventors: **Paul Flowers**, Duesseldorf (DE); **Hans Lobermeier**, Menden (DE)

(73) Assignee: **Grohe AG**, Hemer (DE)

(**) Term: **14 Years**

(21) Appl. No.: **29/513,979**

(22) Filed: **Jan. 7, 2015**

(30) **Foreign Application Priority Data**

Jul. 8, 2014 (EM) 002498253-0022

(51) **LOC (10) Cl.** **23-01**

(52) **U.S. Cl.**
USPC **D23/252**; D23/254

(58) **Field of Classification Search**
USPC D23/238–243, 249–250, 252, 254
CPC E03C 1/04; E03C 1/0401; E03C 1/0402;
E03C 1/0404
See application file for complete search history.

(56) **References Cited**

U.S. PATENT DOCUMENTS

D409,290 S * 5/1999 Gottwald D23/254
D412,359 S * 7/1999 Lobermeier D23/254
D421,099 S * 2/2000 Mullenmeister D23/254

D458,345 S * 6/2002 Gottwald D23/252
D458,348 S * 6/2002 Mullenmeister D23/254
D461,878 S * 8/2002 Green et al. D23/254
D517,662 S * 3/2006 Mullenmeister D23/252
D579,528 S * 10/2008 Citterio D23/252
D580,525 S * 11/2008 Citterio D23/254
D606,171 S * 12/2009 Lammel et al. D23/254
D622,359 S * 8/2010 Bouroullec et al. D23/254
D665,882 S * 8/2012 Flowers et al. D23/252
D702,324 S * 4/2014 Flowers et al. D23/254

* cited by examiner

Primary Examiner — Robert Delehanty

(74) *Attorney, Agent, or Firm* — Muncy, Geissler, Olds & Lowe, P.C.

(57) **CLAIM**

The ornamental design for a bath handle, as shown and described.

DESCRIPTION

FIG. 1 is a front perspective view of a bath handle according to the present invention.

FIG. 2 is a left side view of the bath handle of FIG. 1.

FIG. 3 is a right side view of the bath handle of FIG. 1.

FIG. 4 is a top view of the bath handle of FIG. 1.

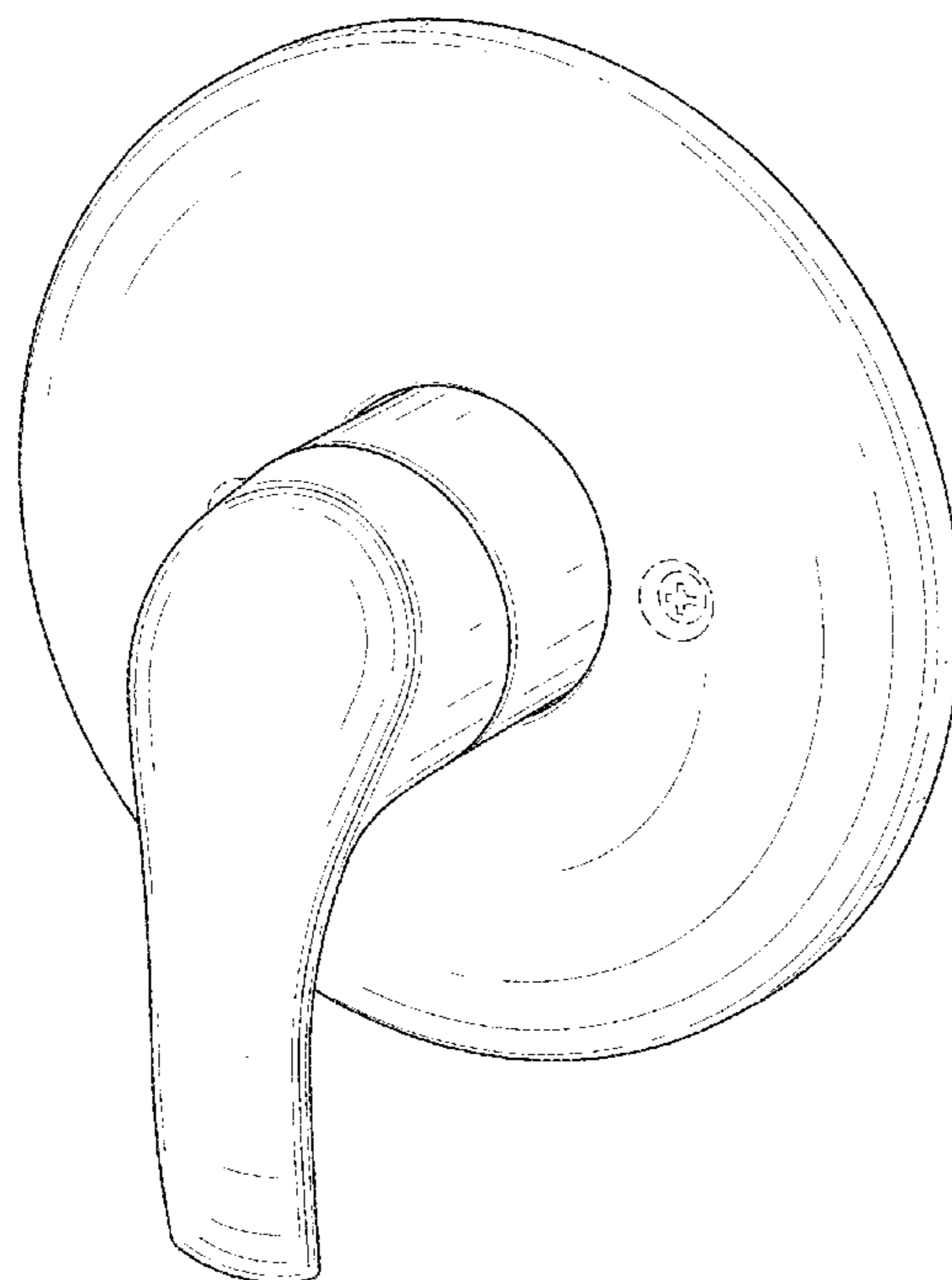
FIG. 5 is a bottom view of the bath handle of FIG. 1.

FIG. 6 is a front view of the bath handle of FIG. 1; and,

FIG. 7 is a rear view of the bath handle of FIG. 1.

The dashed lines illustrate environment that does not form a part of the present invention, and no claim is made to the material illustrated with dashed lines.

1 Claim, 7 Drawing Sheets



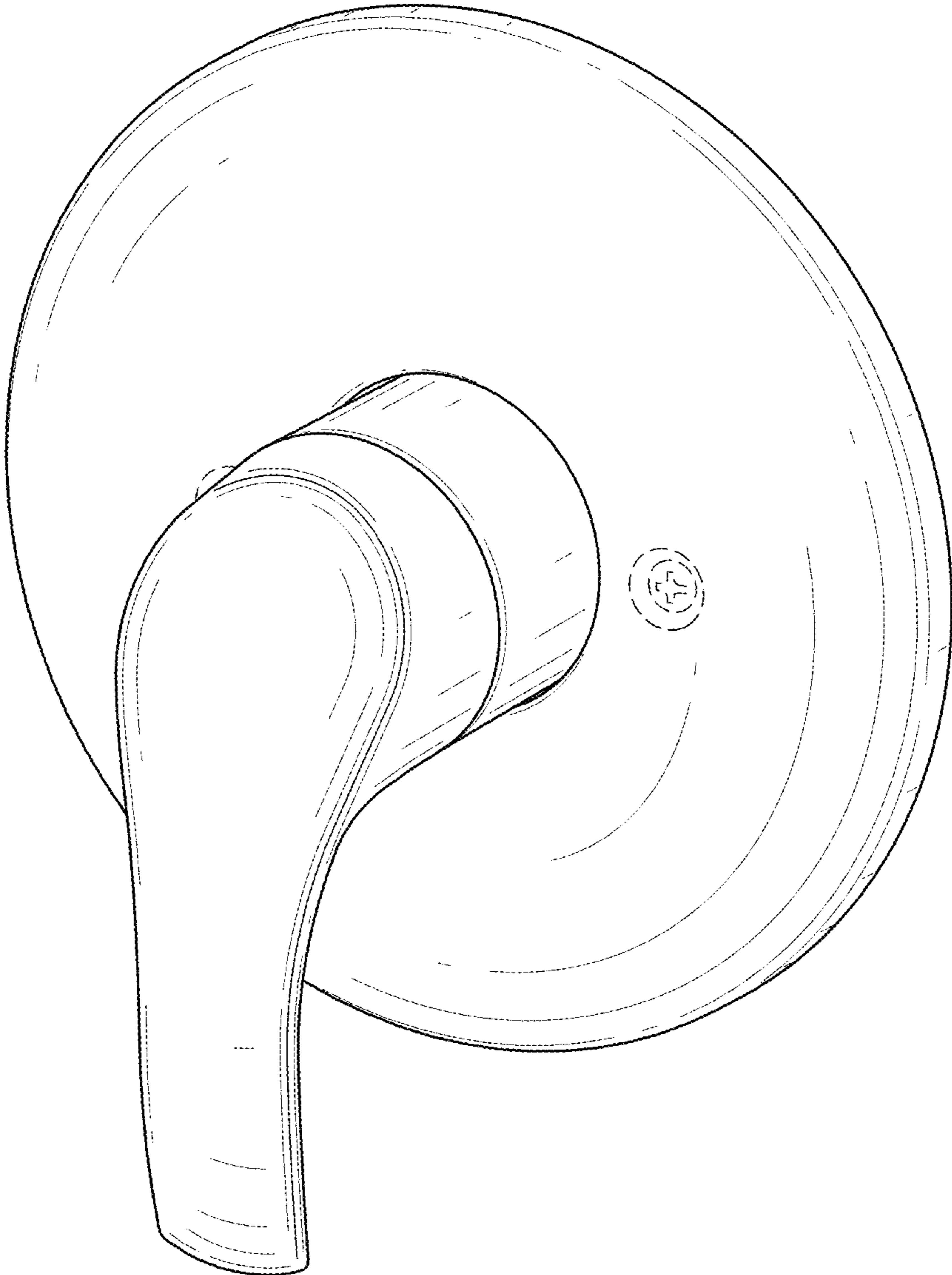


FIG.1

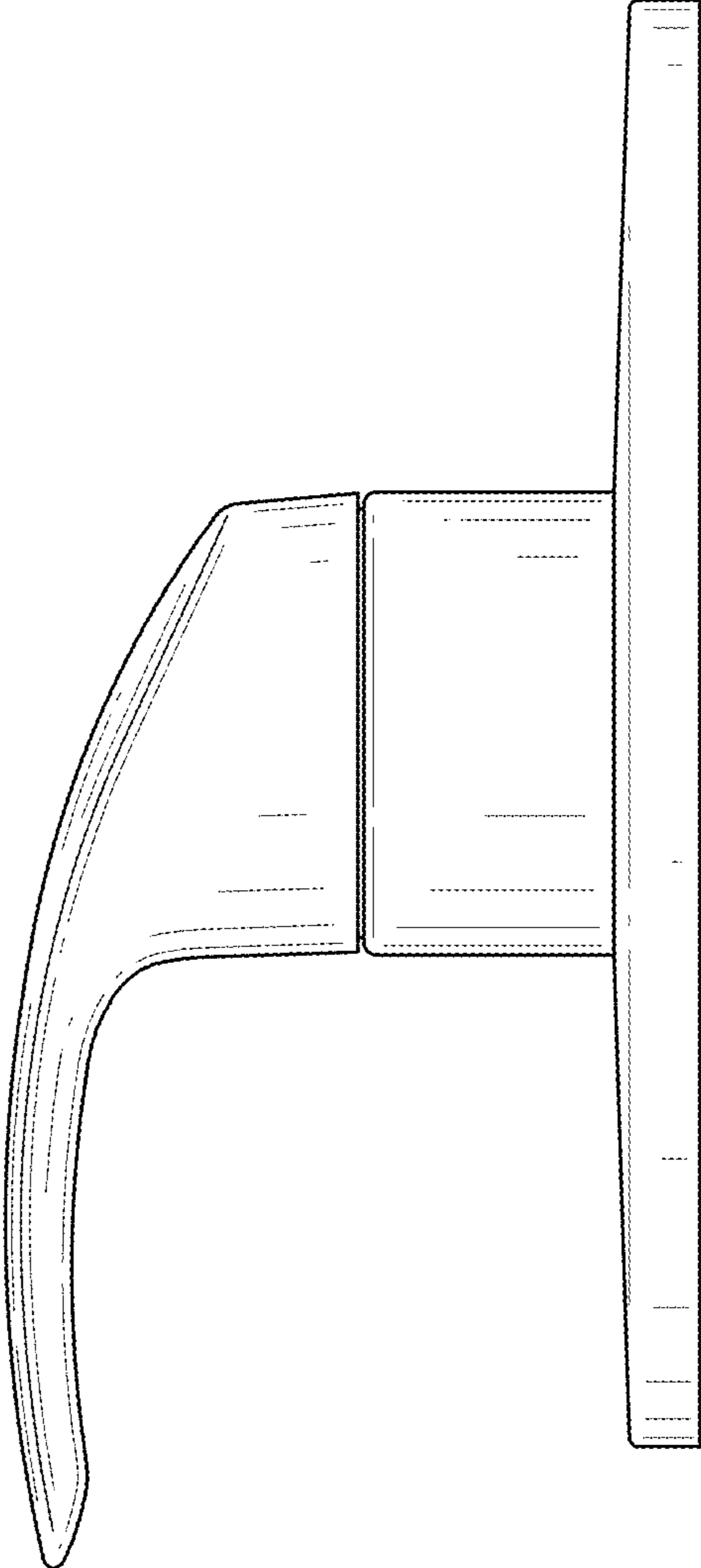


FIG.2

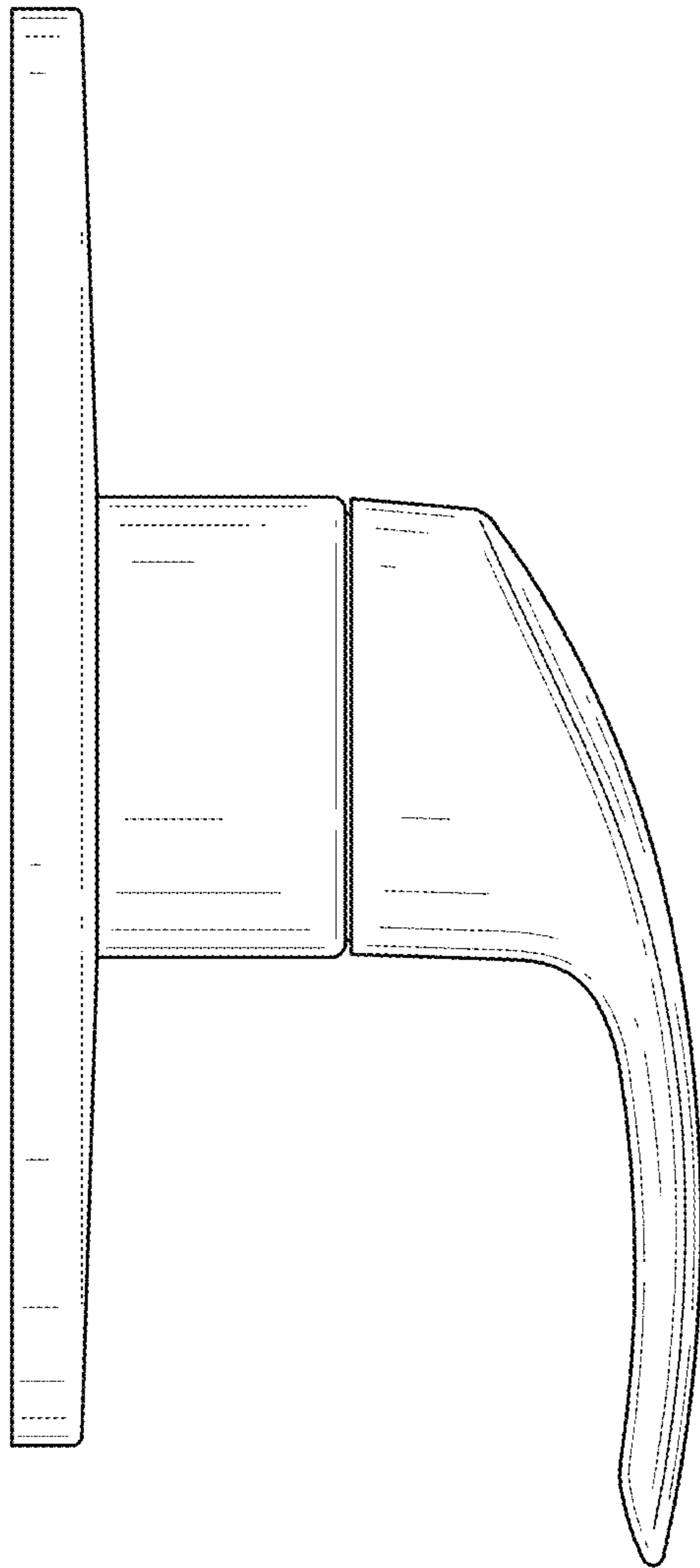


FIG.3

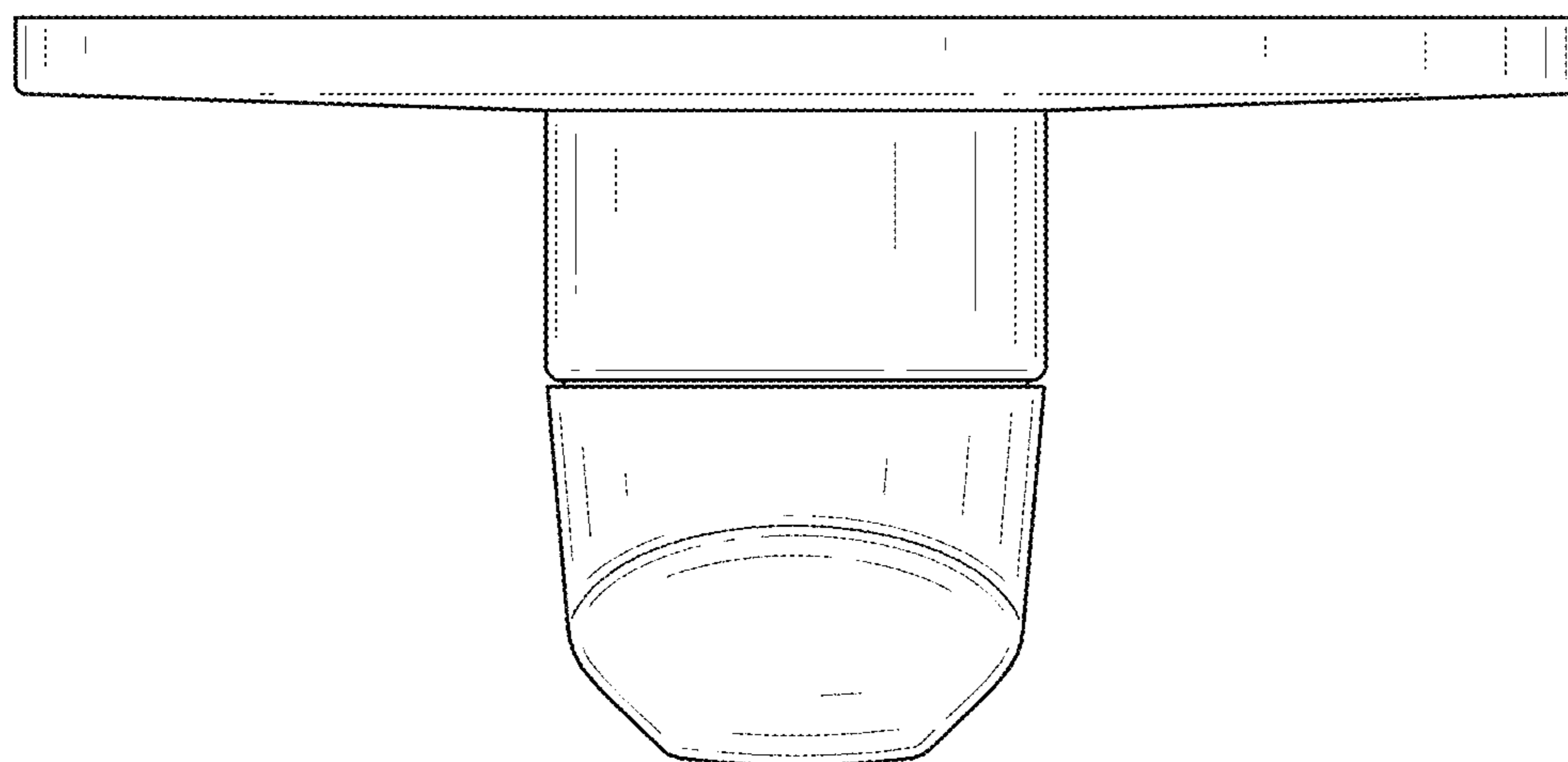


FIG.4

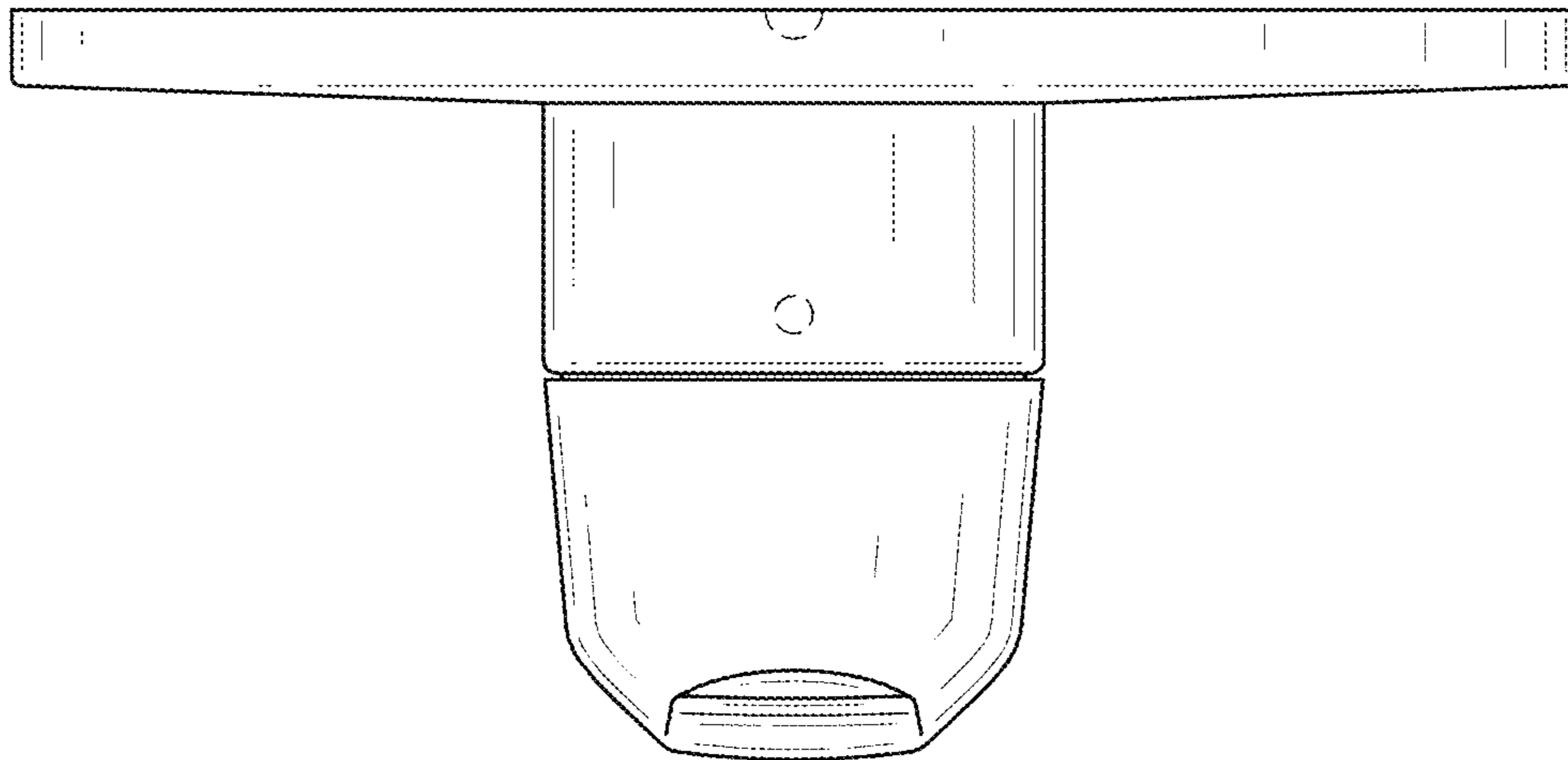


FIG.5

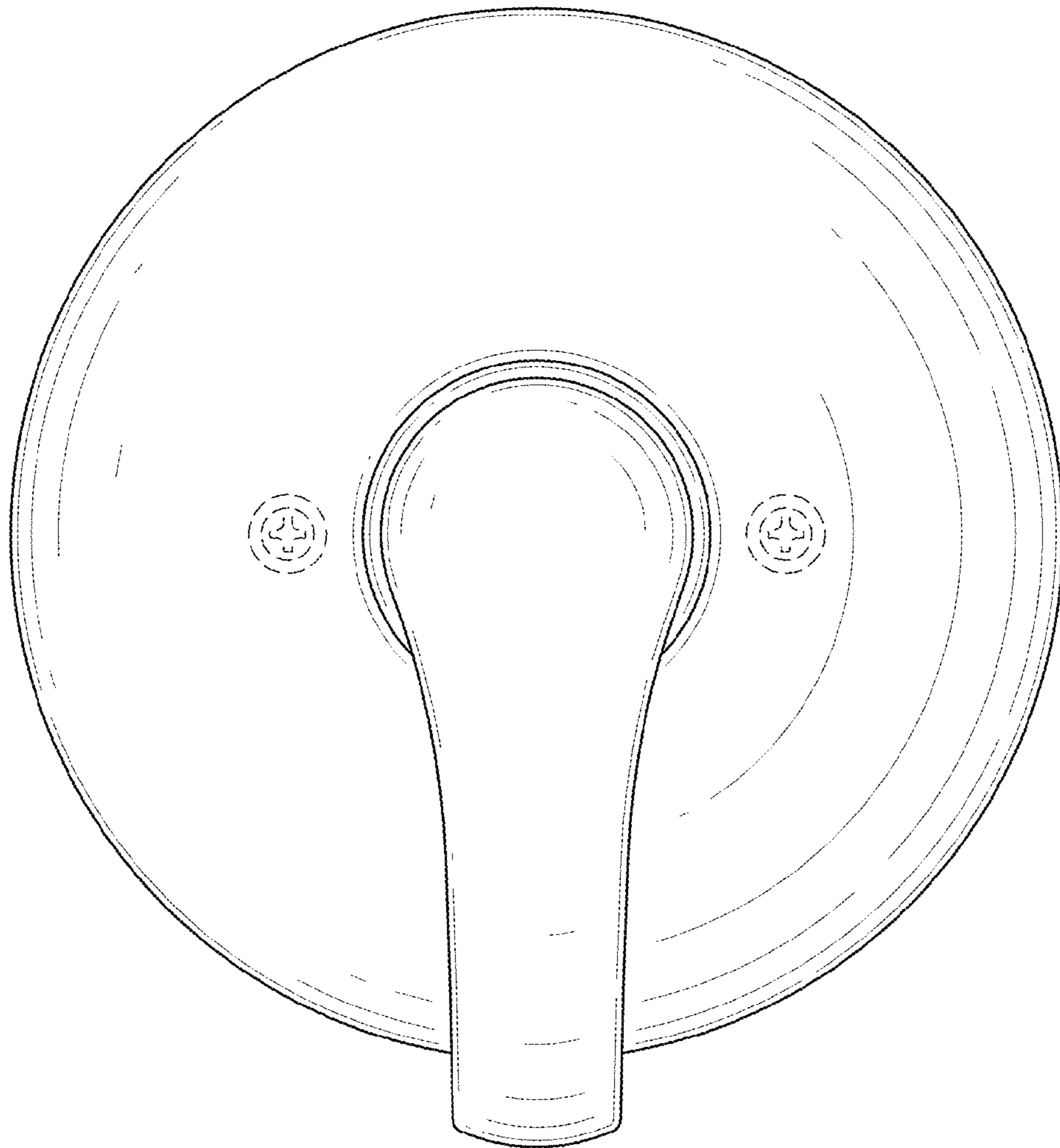


FIG.6

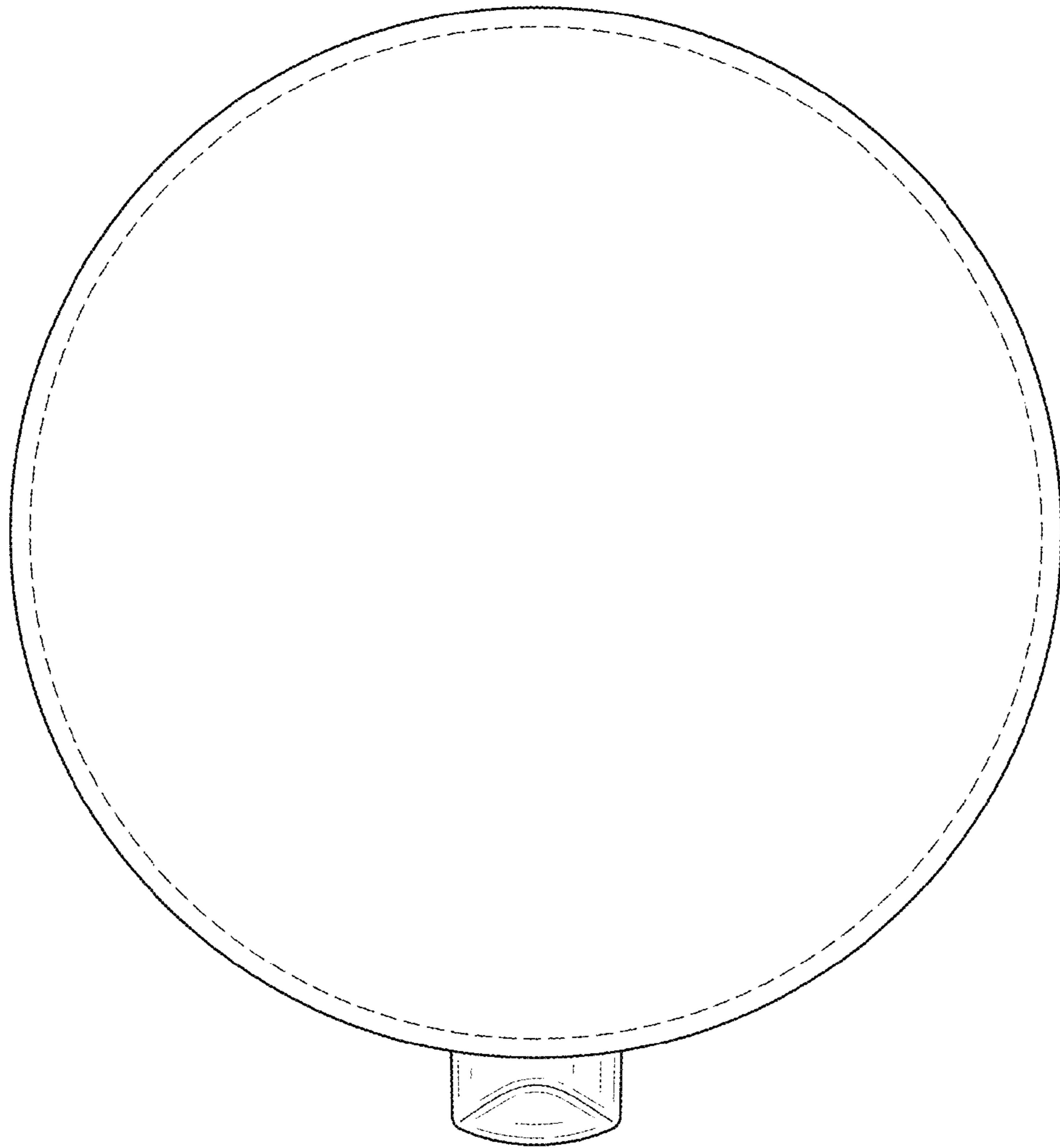


FIG. 7