

US00D739500S

(12) **United States Design Patent**  
**Buermann**

(10) **Patent No.:** **US D739,500 S**

(45) **Date of Patent:** **\*\* Sep. 22, 2015**

(54) **VALVE COVER**

(71) Applicant: **Hyperkinetics Corporation,**  
Williamstown, VT (US)

(72) Inventor: **Henry Buermann,** Brookfield, VT (US)

(73) Assignee: **HYPERKINETICS CORPORATION,**  
Williamstown, VT (US)

(\*\*) Term: **14 Years**

(21) Appl. No.: **29/484,186**

(22) Filed: **Mar. 6, 2014**

(51) **LOC (10) Cl.** ..... **23-01**

(52) **U.S. Cl.**  
USPC ..... **D23/249**

(58) **Field of Classification Search**  
USPC ..... D23/233–237, 244–249; 251/59, 30.01,  
251/63.5, 250, 337, 129.11, 129.12, 259;  
137/556, 322  
CPC ... F16K 31/04; F16K 31/0658; F16K 31/047;  
F16K 31/0665; F16K 31/52416; F16K 31/53;  
F16K 31/0672; F16K 17/00; F16K 17/36;  
F16K 17/40; F16K 17/04; F16K 17/02  
See application file for complete search history.

(56) **References Cited**

**U.S. PATENT DOCUMENTS**

3,102,658 A 9/1963 Rosen  
3,684,124 A 8/1972 Song  
D237,180 S \* 10/1975 Rawdon ..... D23/236  
D373,176 S \* 8/1996 Booth et al. .... D23/233  
5,653,256 A 8/1997 Myers et al.  
5,909,827 A 6/1999 Bietzer et al.  
6,286,702 B1 9/2001 Buermann  
6,854,616 B2 2/2005 Steffan  
7,152,760 B1 12/2006 Peabody  
D576,704 S \* 9/2008 Gilcher ..... D23/233

D607,087 S \* 12/2009 Bobby et al. .... D23/233  
D625,777 S \* 10/2010 Loffler ..... D23/233  
D641,832 S \* 7/2011 Johnson ..... D23/237  
D688,776 S \* 8/2013 Antunez ..... D23/233  
D704,307 S \* 5/2014 Lloyd ..... D23/249  
D717,404 S \* 11/2014 Bailey et al. .... D23/249  
2008/0232927 A1 9/2008 Trimble et al.  
2013/0153808 A1\* 6/2013 Folk et al. .... 251/359

(Continued)

**FOREIGN PATENT DOCUMENTS**

FR 2828678 2/2003  
GB 2301348 12/1996

(Continued)

*Primary Examiner* — Cynthia Ramirez

(74) *Attorney, Agent, or Firm* — Nicole Davidson; Waller  
Lansden Dortch & Davis

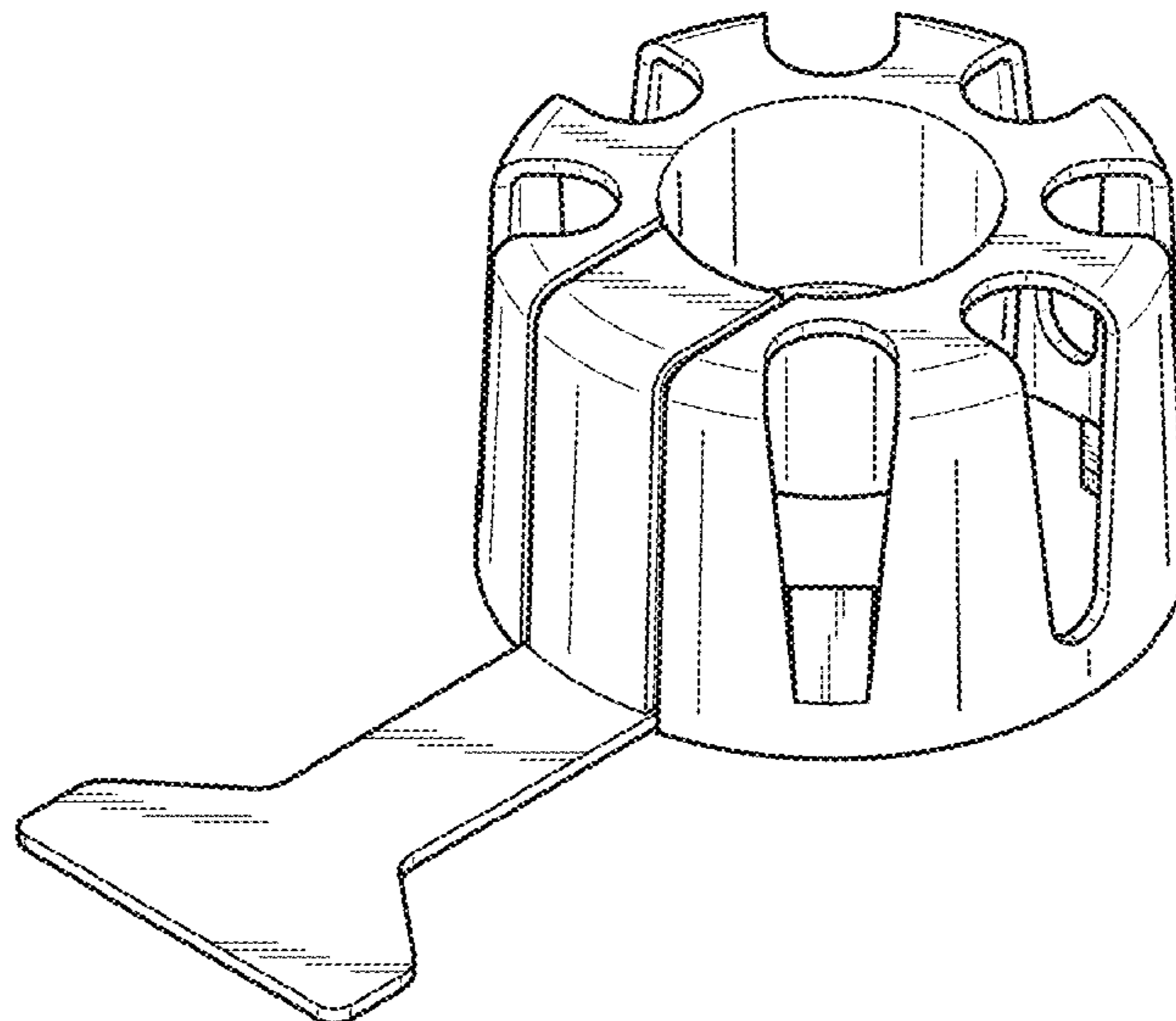
(57) **CLAIM**

The ornamental design for a valve cover, as shown and  
described.

**DESCRIPTION**

FIG. 1 is a perspective top view of the valve cover of the  
present invention;  
FIG. 2 is another perspective top view of the valve cover of  
FIG. 1;  
FIG. 3 is a perspective bottom view of the valve cover of FIG.  
1;  
FIG. 4 is a top view of the valve cover of FIG. 1;  
FIG. 5 is a side elevation view of the valve cover of FIG. 1;  
FIG. 6 is a bottom view of the valve cover of FIG. 1;  
FIG. 7 is a back elevation view of the valve cover of FIG. 1;  
and,  
FIG. 8 is a front elevation view of the valve cover of FIG. 1.  
The portions drawn in broken lines are for illustrative pur-  
poses only and form no part of the claimed design.

**1 Claim, 3 Drawing Sheets**



# US D739,500 S

Page 2

---

(56)

## References Cited

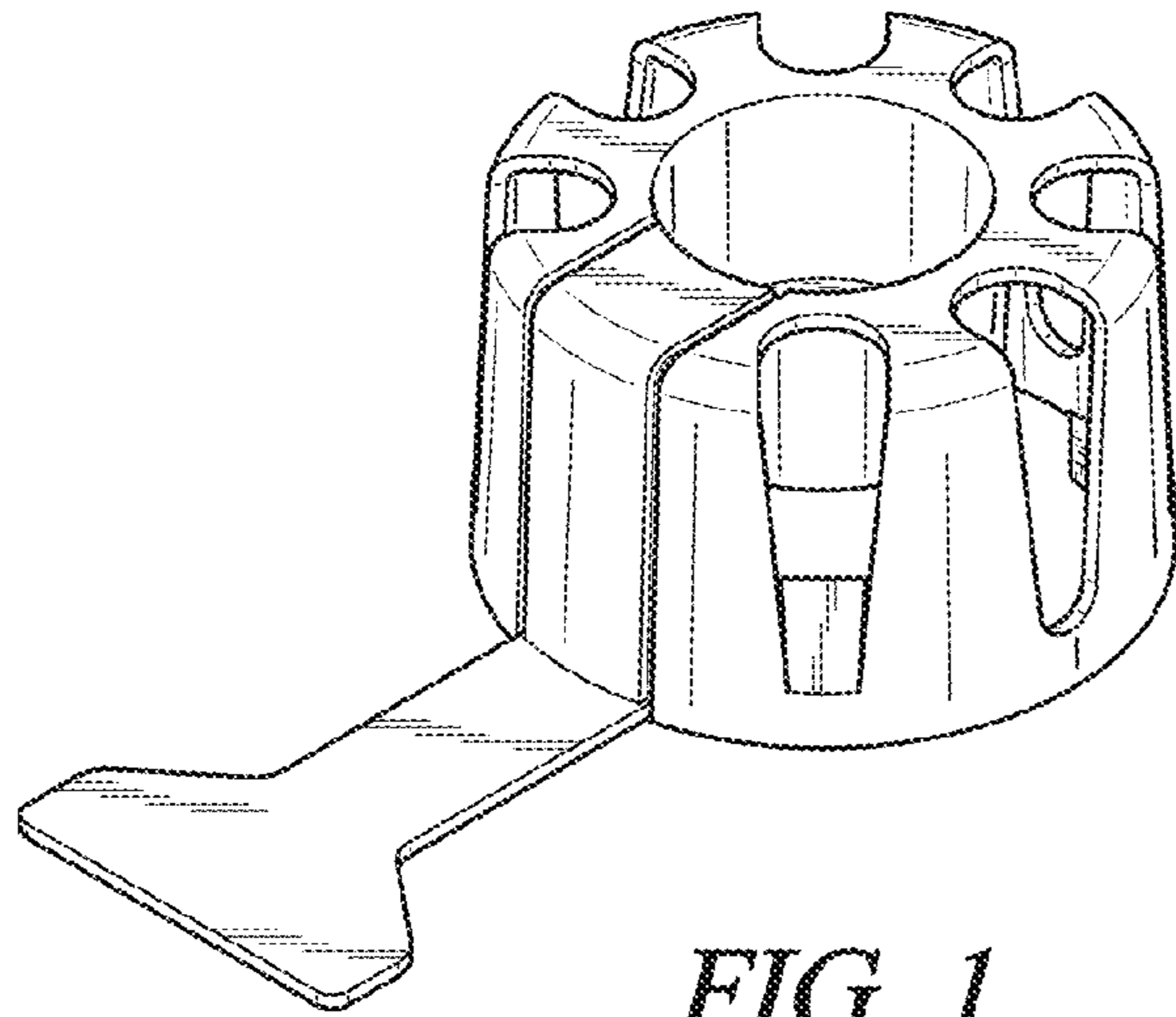
## FOREIGN PATENT DOCUMENTS

### U.S. PATENT DOCUMENTS

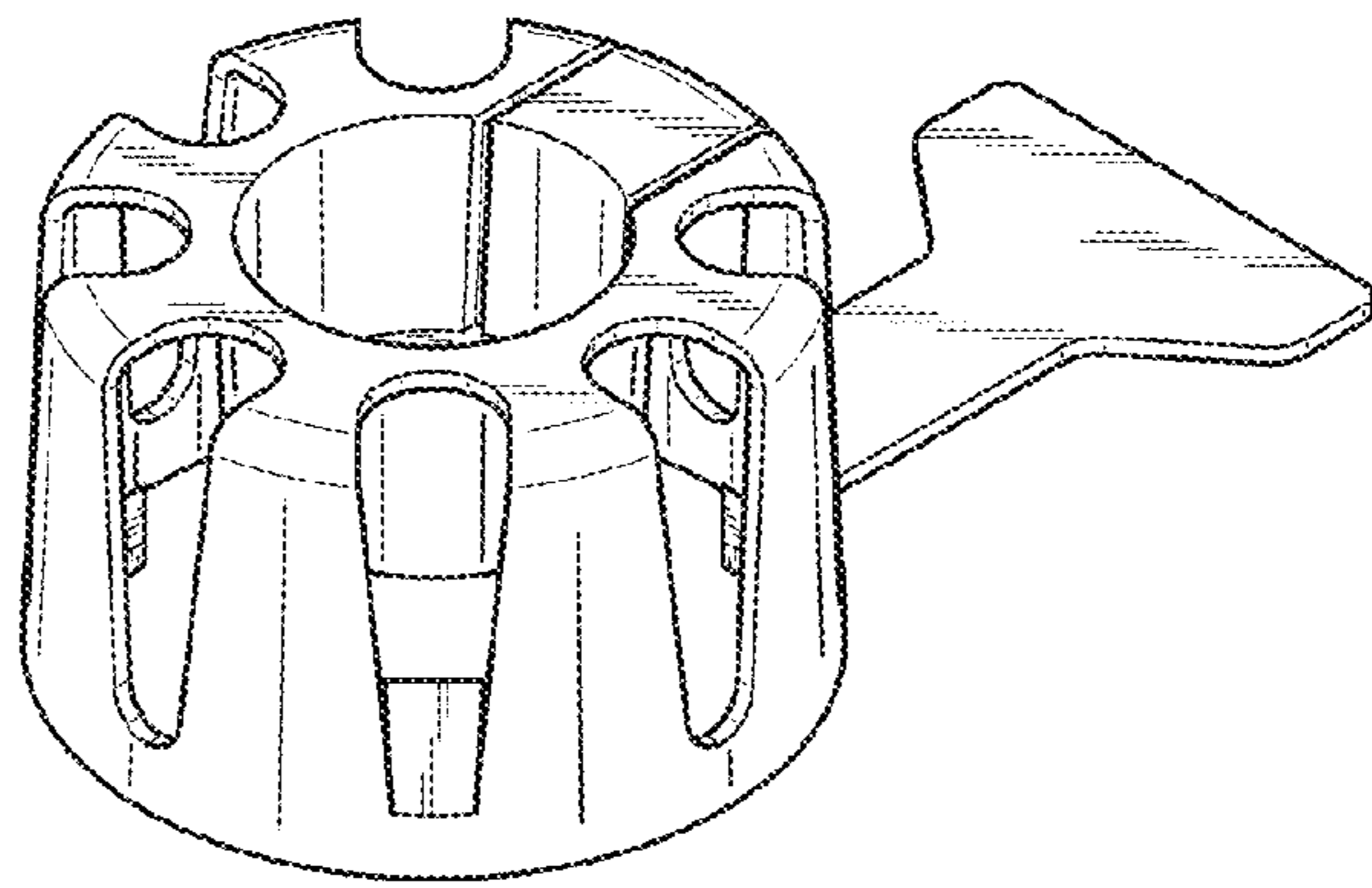
2013/0341551 A1\* 12/2013 Beck et al. .... 251/366  
2015/0053875 A1\* 2/2015 Fohn ..... 251/89

WO 9729969 8/1997  
WO 2004085280 10/2004

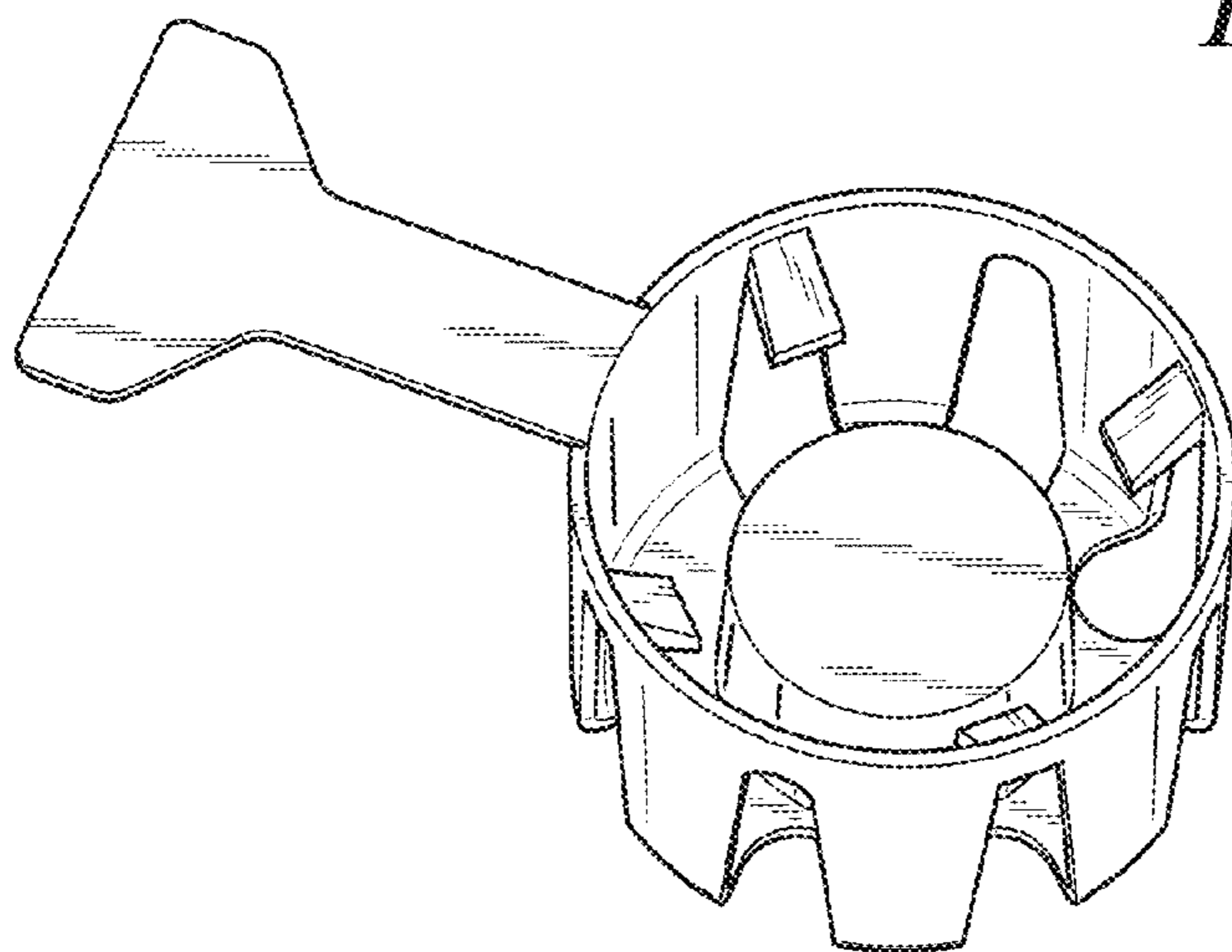
\* cited by examiner



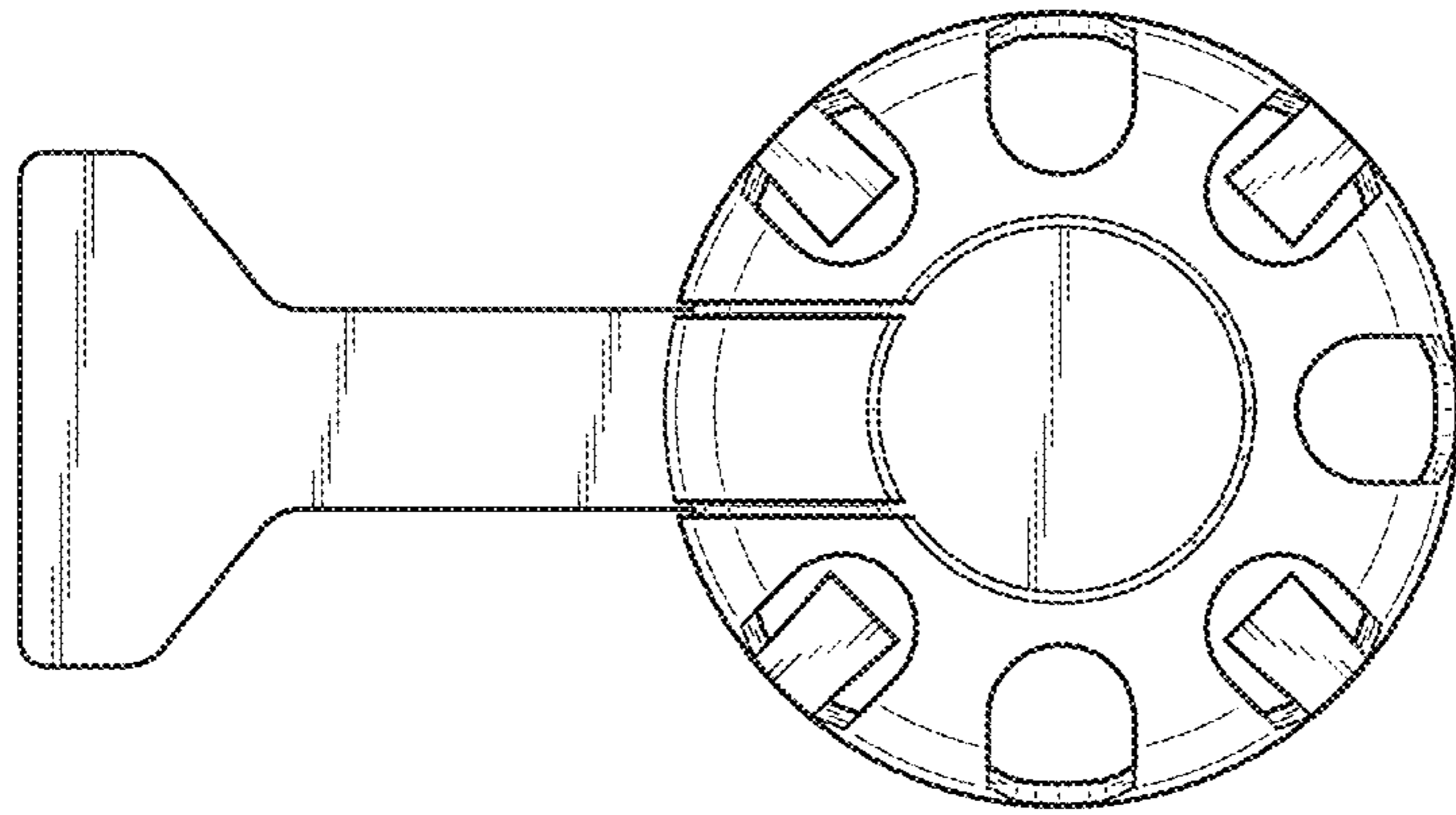
*FIG. 1*



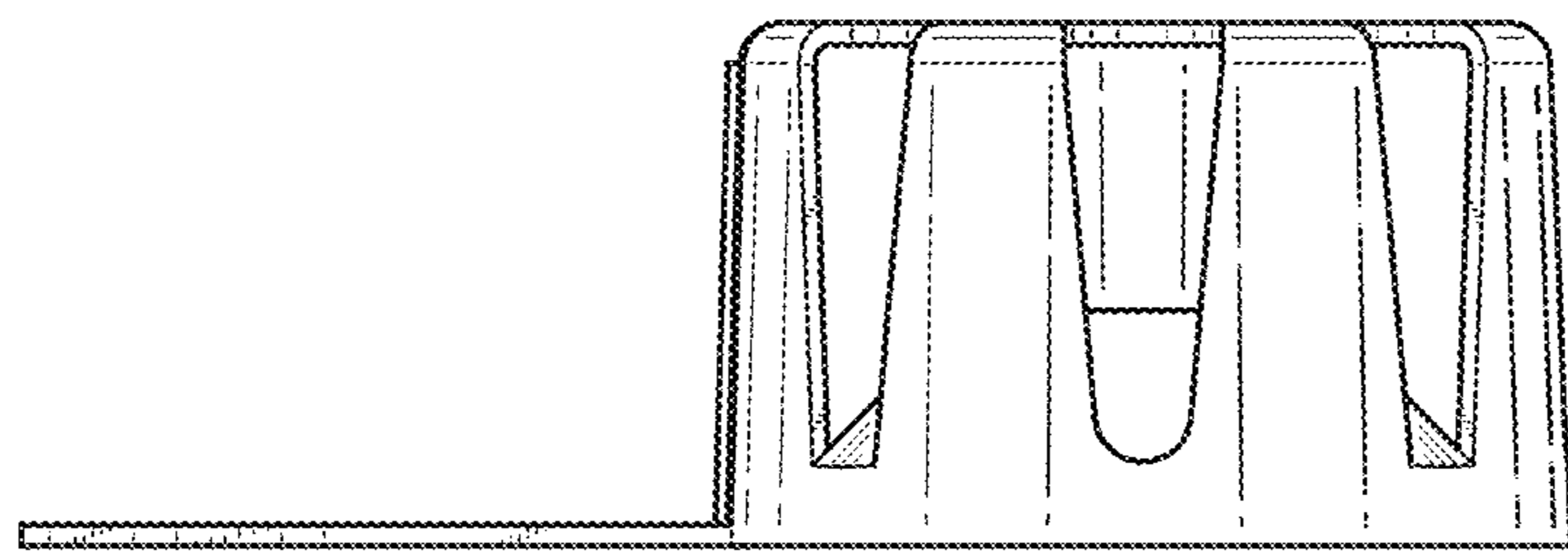
*FIG. 2*



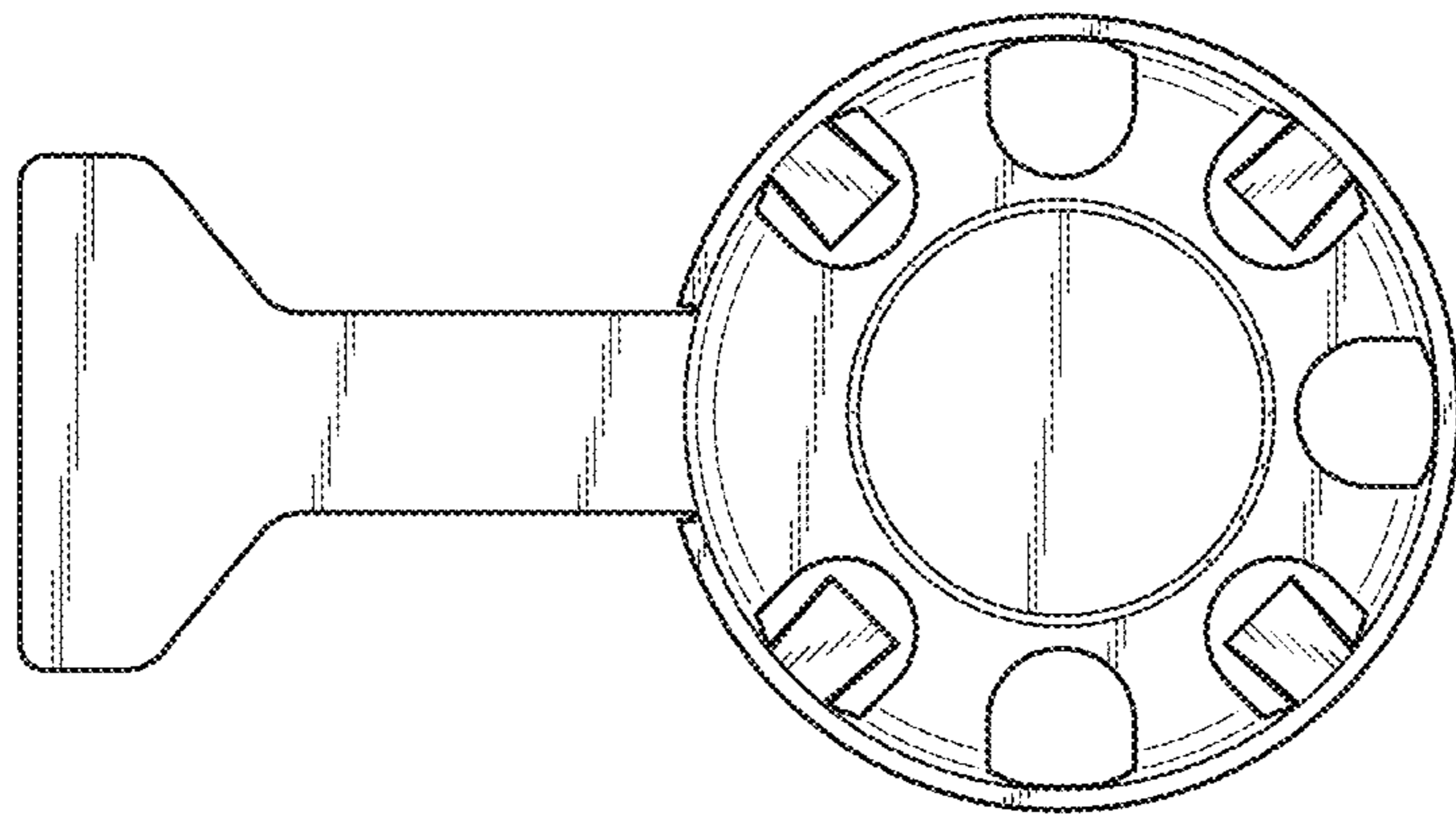
*FIG. 3*



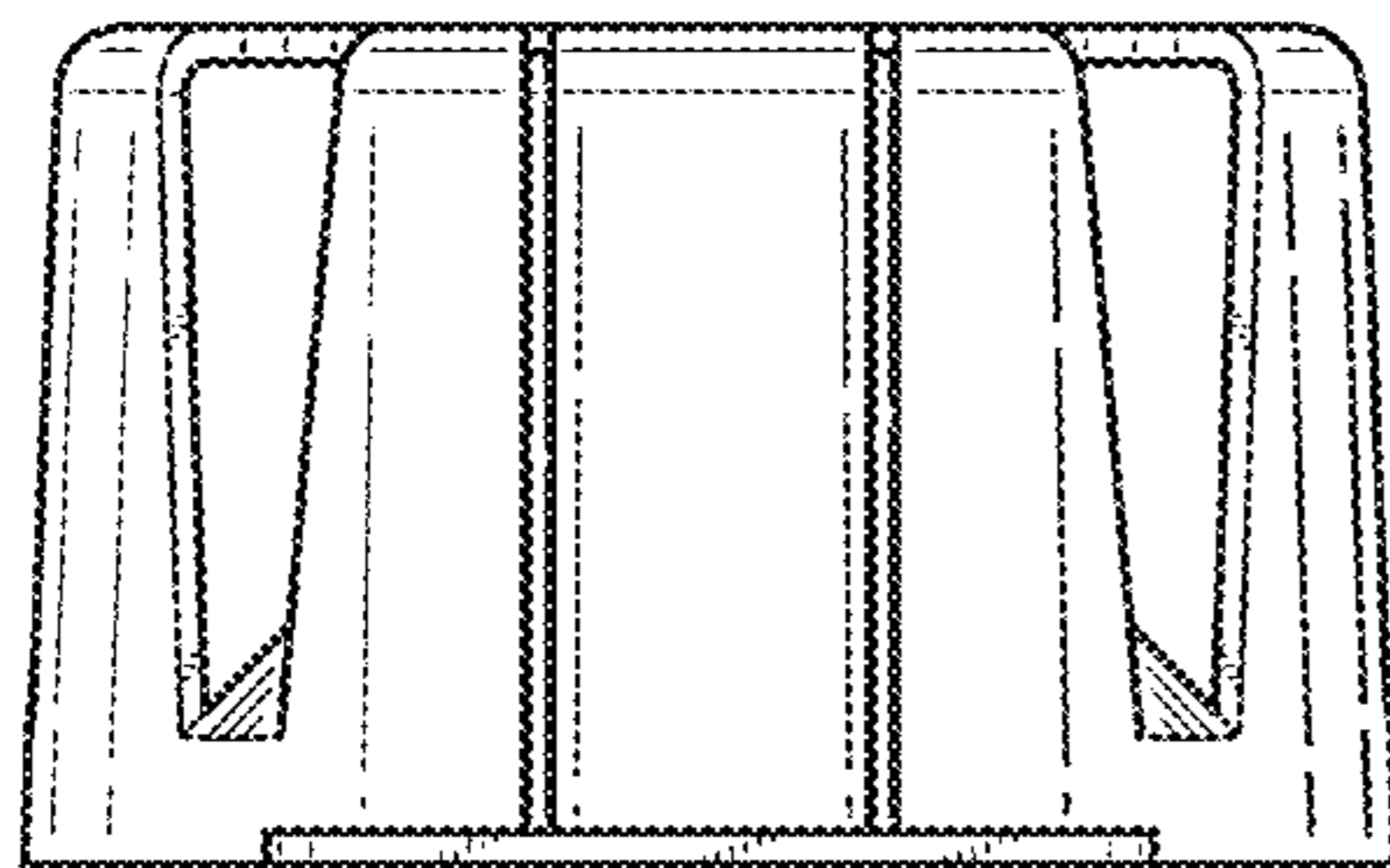
*FIG. 4*



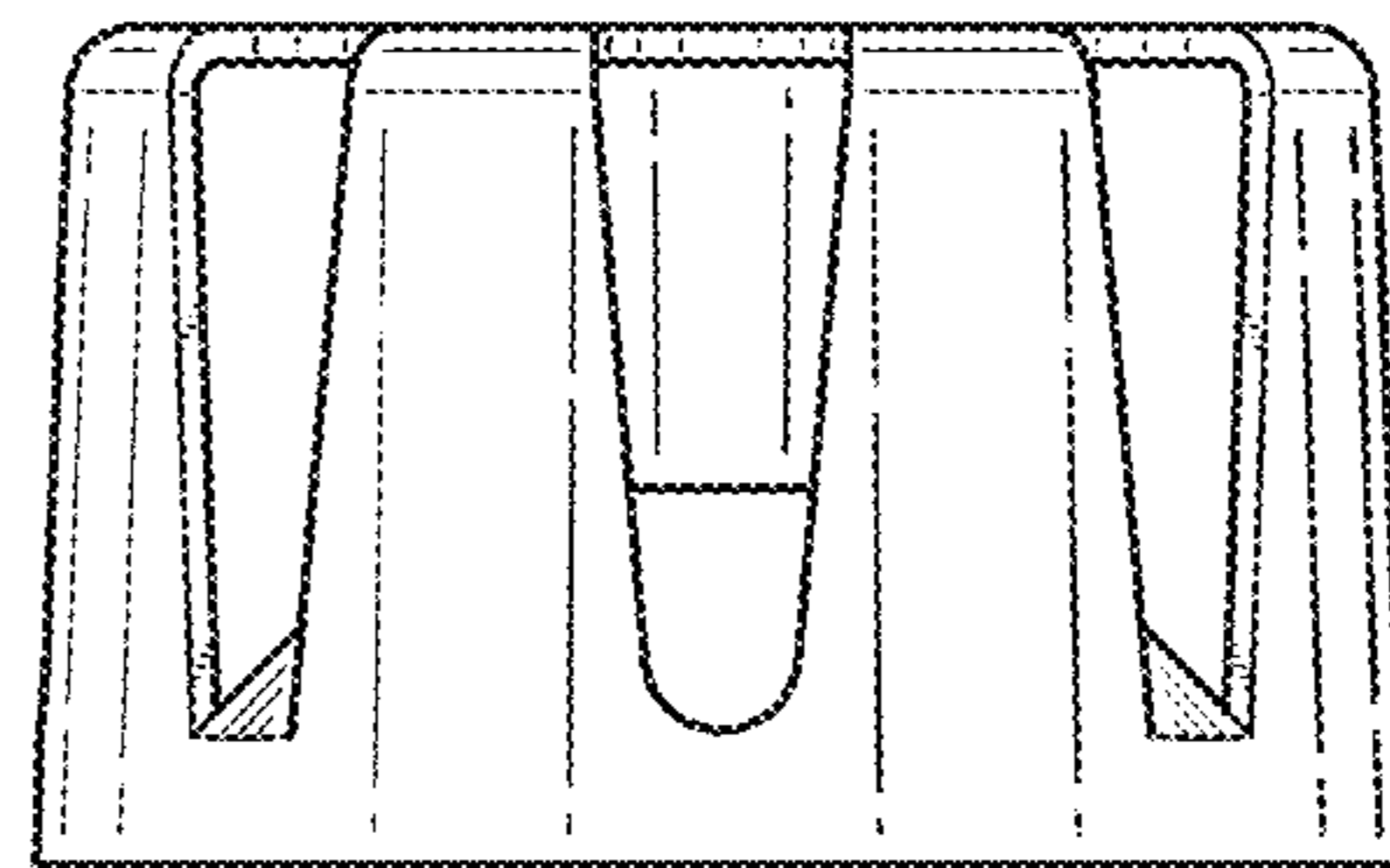
*FIG. 5*



*FIG. 6*



*FIG. 7*



*FIG. 8*

UNITED STATES PATENT AND TRADEMARK OFFICE  
**CERTIFICATE OF CORRECTION**

PATENT NO. : D739,500 S  
APPLICATION NO. : 29/484186  
DATED : September 22, 2015  
INVENTOR(S) : Henry Buermann

Page 1 of 1

It is certified that error appears in the above-identified patent and that said Letters Patent is hereby corrected as shown below:

ON THE TITLE PAGE

(74) Attorney, Agent, or Firm - should be changed to --Nicolo Davidson; Waller Lansden Dortch & Davis--

Signed and Sealed this  
Seventh Day of June, 2016



Michelle K. Lee  
*Director of the United States Patent and Trademark Office*