

US00D739499S

(12) **United States Design Patent**
Shorey et al.

(10) **Patent No.:** **US D739,499 S**

(45) **Date of Patent:** **** *Sep. 22, 2015**

(54) **VALVE DIAPHRAGM**

(56) **References Cited**

(75) Inventors: **Christopher Wilfred Shorey**, Nowra (AU); **Georgina Elizabeth Morris**, Nowra (AU)

U.S. PATENT DOCUMENTS

(73) Assignee: **Goyen Controls Co. Pty. Ltd.**, New South Wales (AU)

D202,701	S	*	11/1965	Davis, Jr.	D23/237
D268,048	S	*	2/1983	Ueda	D23/248
D278,079	S	*	3/1985	Widerby	D23/237
D351,220	S	*	10/1994	Barnes	D23/260
D382,943	S	*	8/1997	Doughty et al.	D23/259
D570,966	S	*	6/2008	Gilligan	D23/260
D613,828	S	*	4/2010	Kinchen	D23/260
D631,945	S	*	2/2011	Shorey et al.	D23/233
D636,059	S	*	4/2011	Shorey et al.	D23/233
2005/0115402	A1	*	6/2005	Hembree	92/96

(*) Notice: This patent is subject to a terminal disclaimer.

* cited by examiner

(**) Term: **14 Years**

Primary Examiner — Garth Rademaker

(21) Appl. No.: **29/362,026**

(57) **CLAIM**

(22) Filed: **May 19, 2010**

The ornamental design for a valve diaphragm, as shown and described.

(30) **Foreign Application Priority Data**

DESCRIPTION

Nov. 23, 2009 (AU) 328974

(51) **LOC (10) Cl.** **23-01**

(52) **U.S. Cl.**
USPC **D23/248**

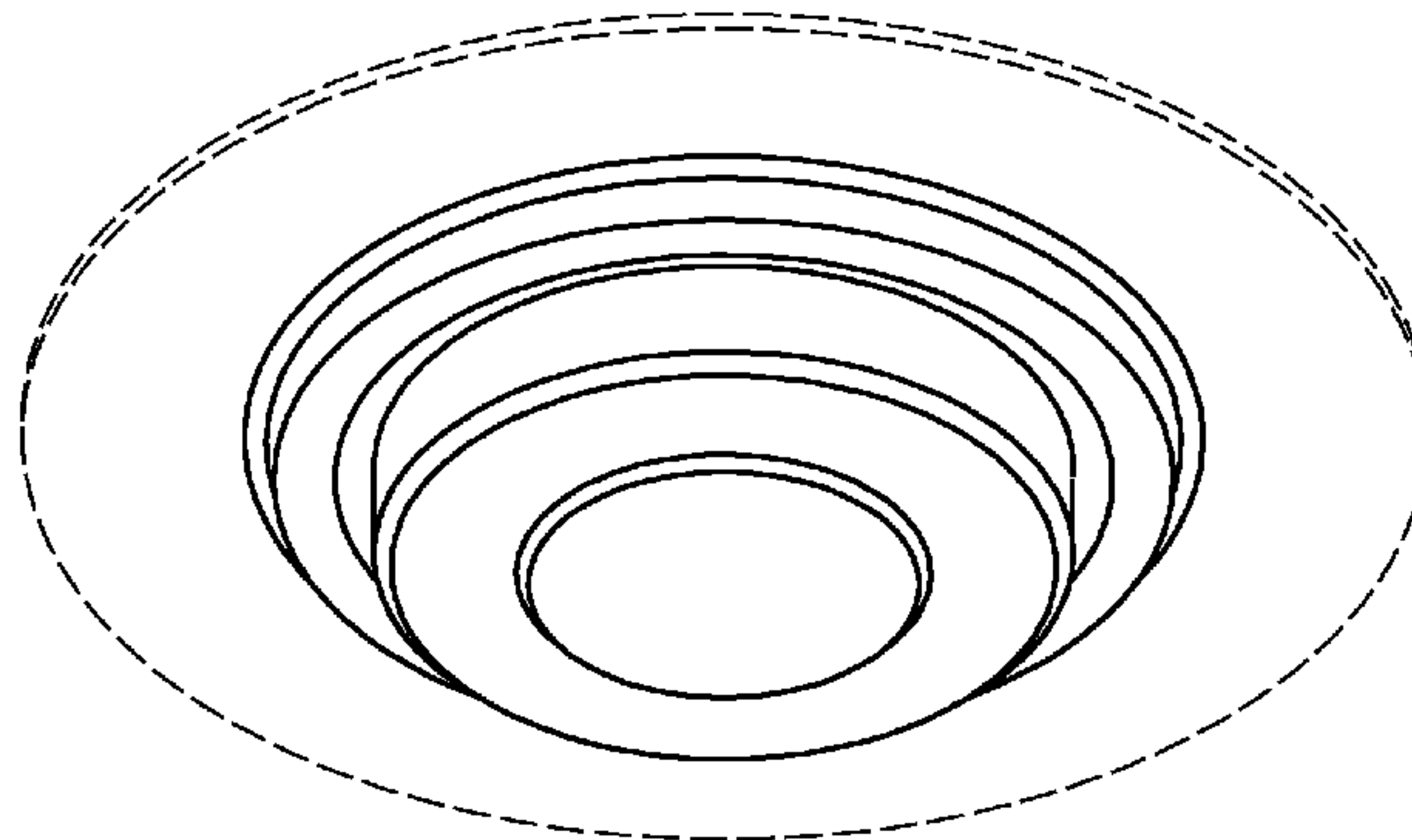
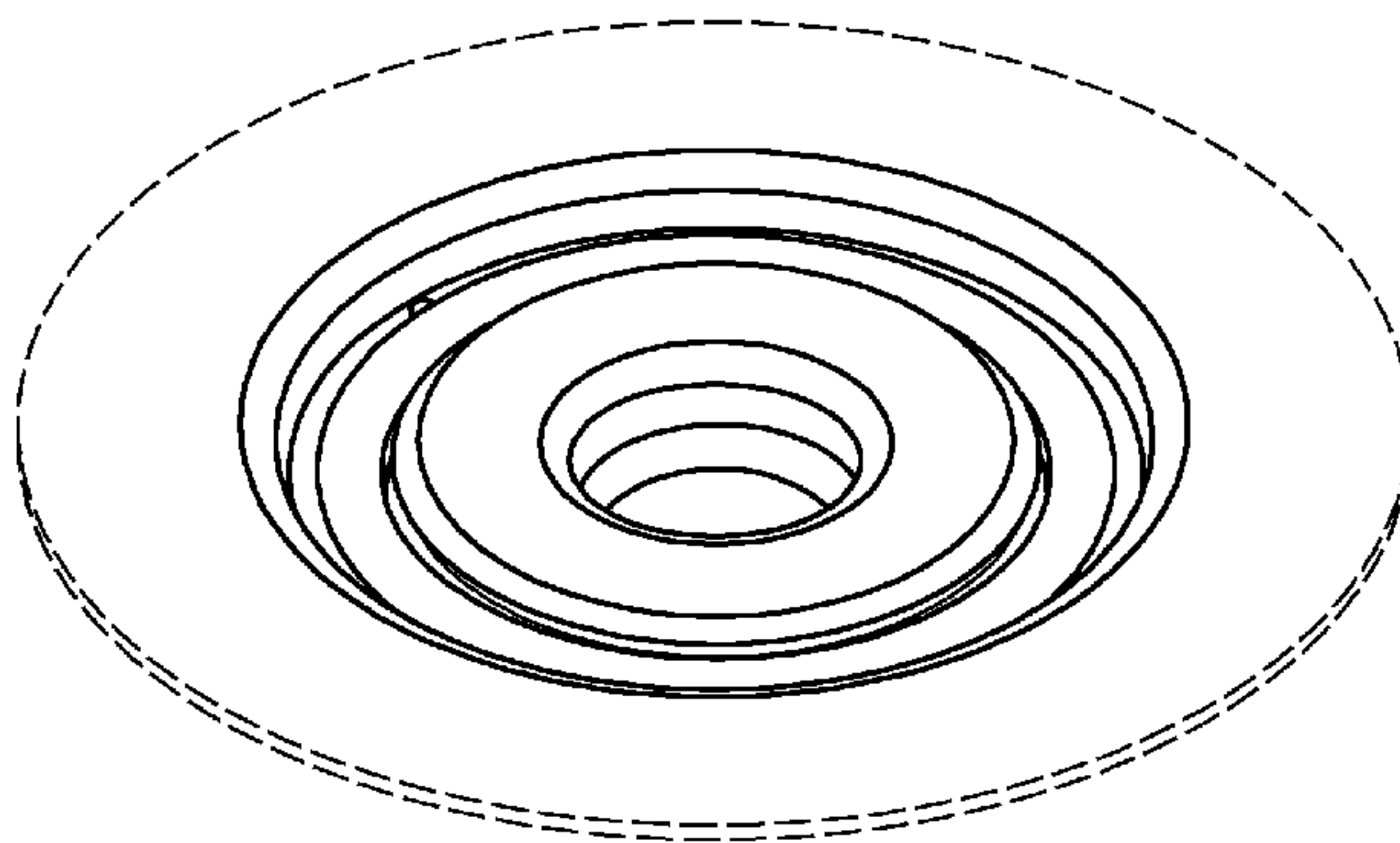
(58) **Field of Classification Search**
USPC D23/200, 207, 209, 210, 233–237,
D23/244–249, 259–269, 310; 96/96, 98 R;
251/45, 46, 61.1, 331

FIG. 1 is a top view of a valve diaphragm, showing our new design;
FIG. 2 is a bottom view thereof;
FIG. 3 is a top perspective view thereof;
FIG. 4 is a bottom perspective view thereof;
FIG. 5 is a side elevation view thereof;
FIG. 6 is a top view thereof, showing section line 7-7; and,
FIG. 7 is a cross-section view thereof, taken along line 7-7 of FIG. 6.

The broken lines depict environmental subject matter only and form no part of the claimed design.

See application file for complete search history.

1 Claim, 3 Drawing Sheets



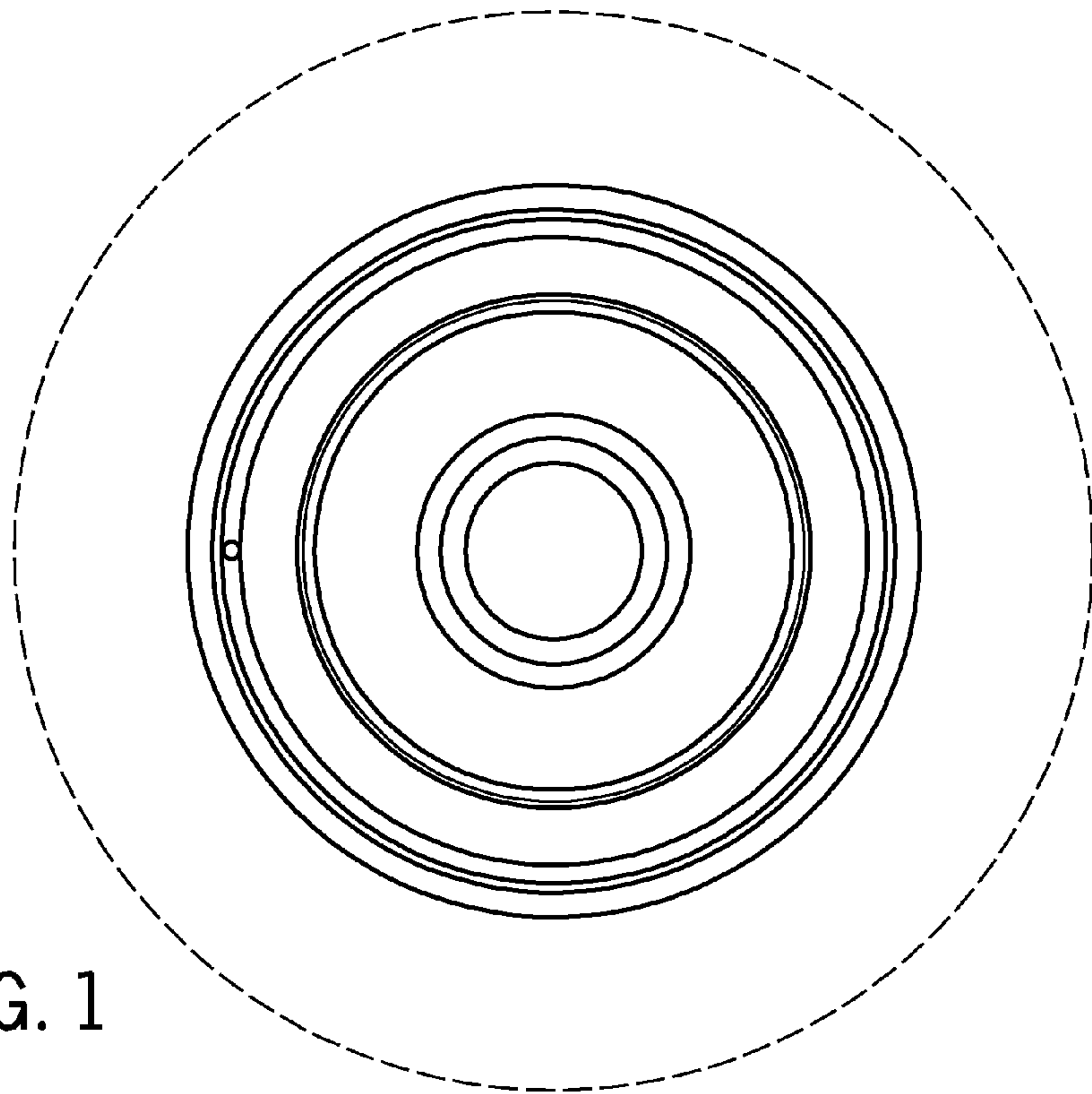


FIG. 1

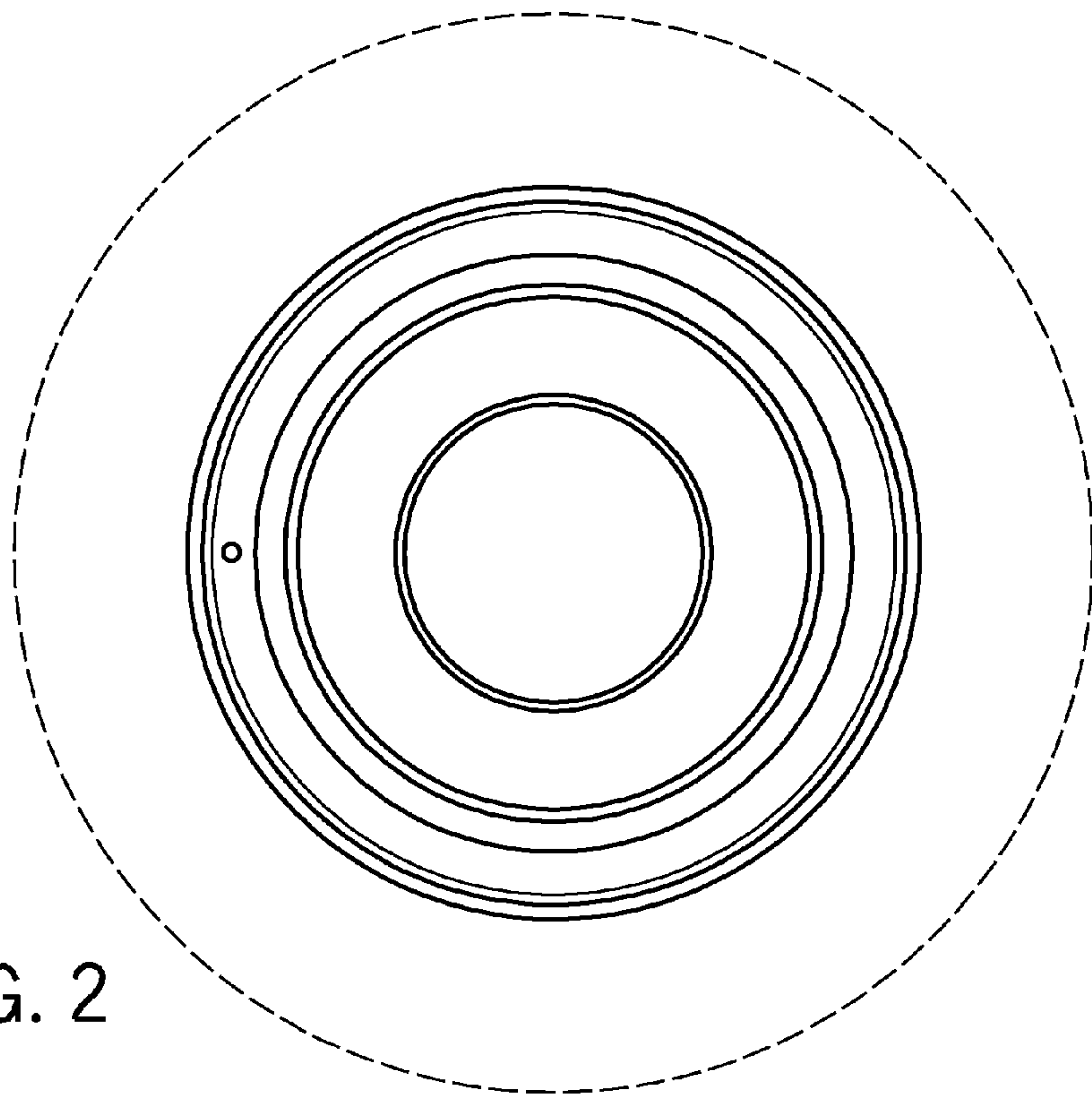


FIG. 2

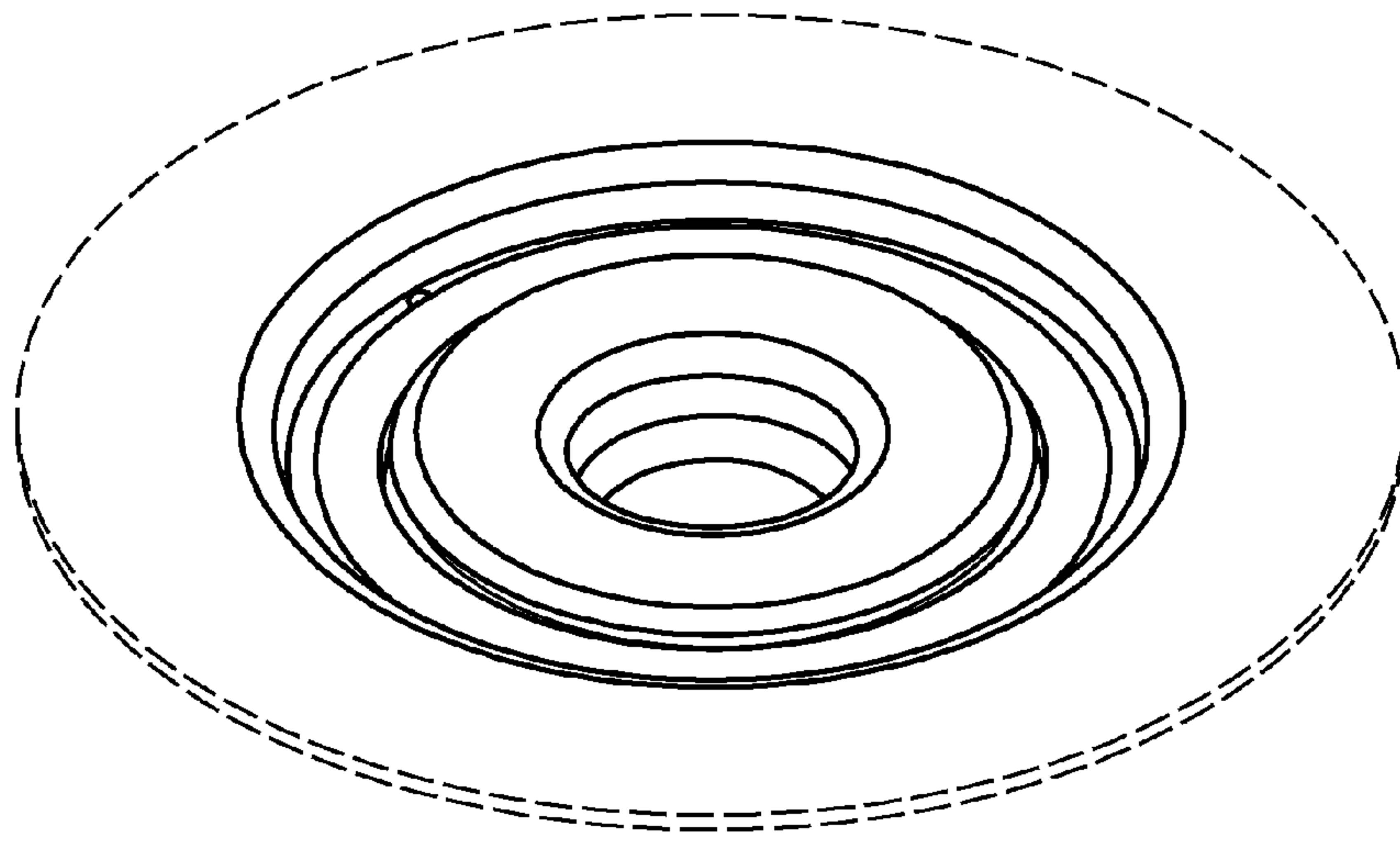


FIG. 3

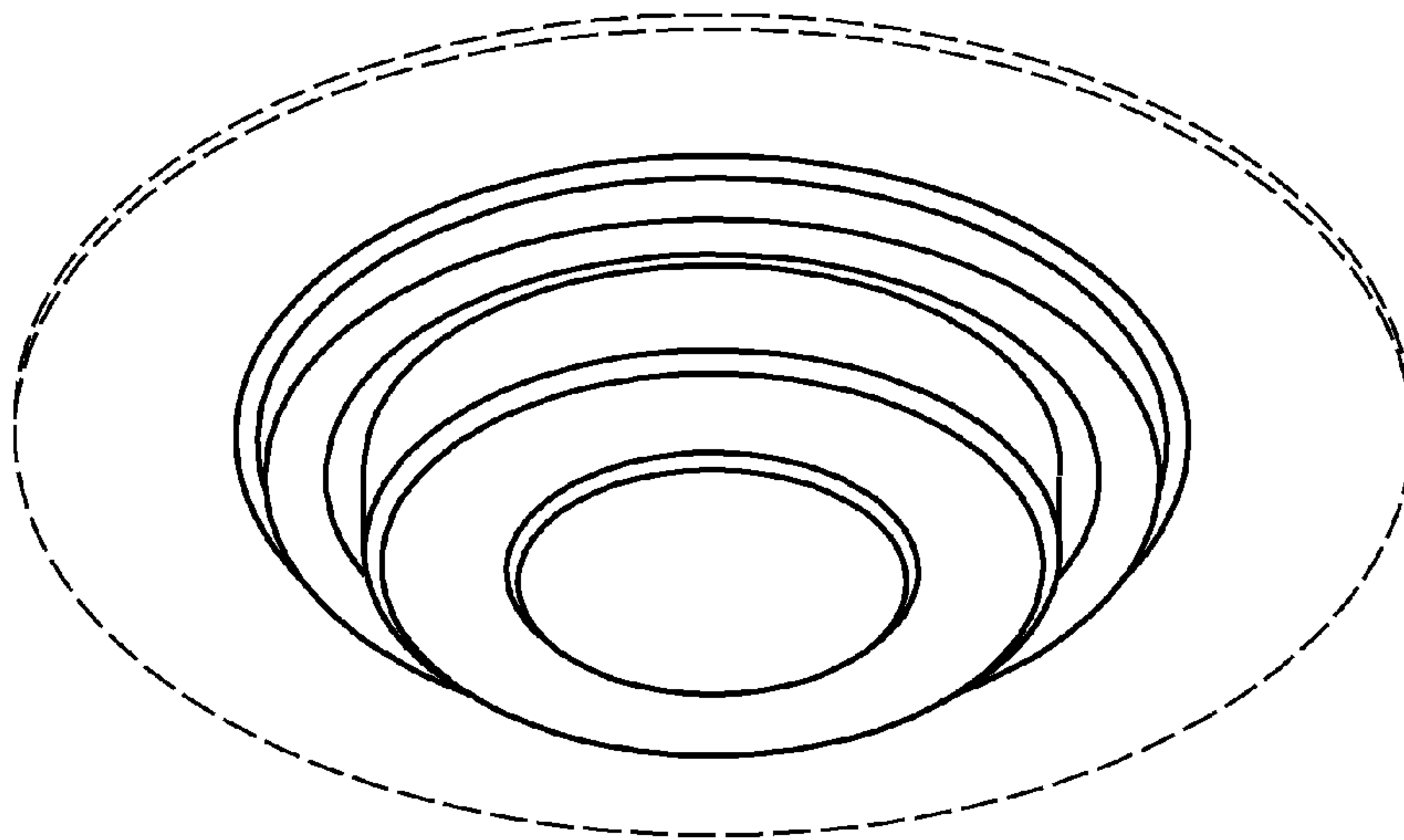


FIG. 4



FIG. 5

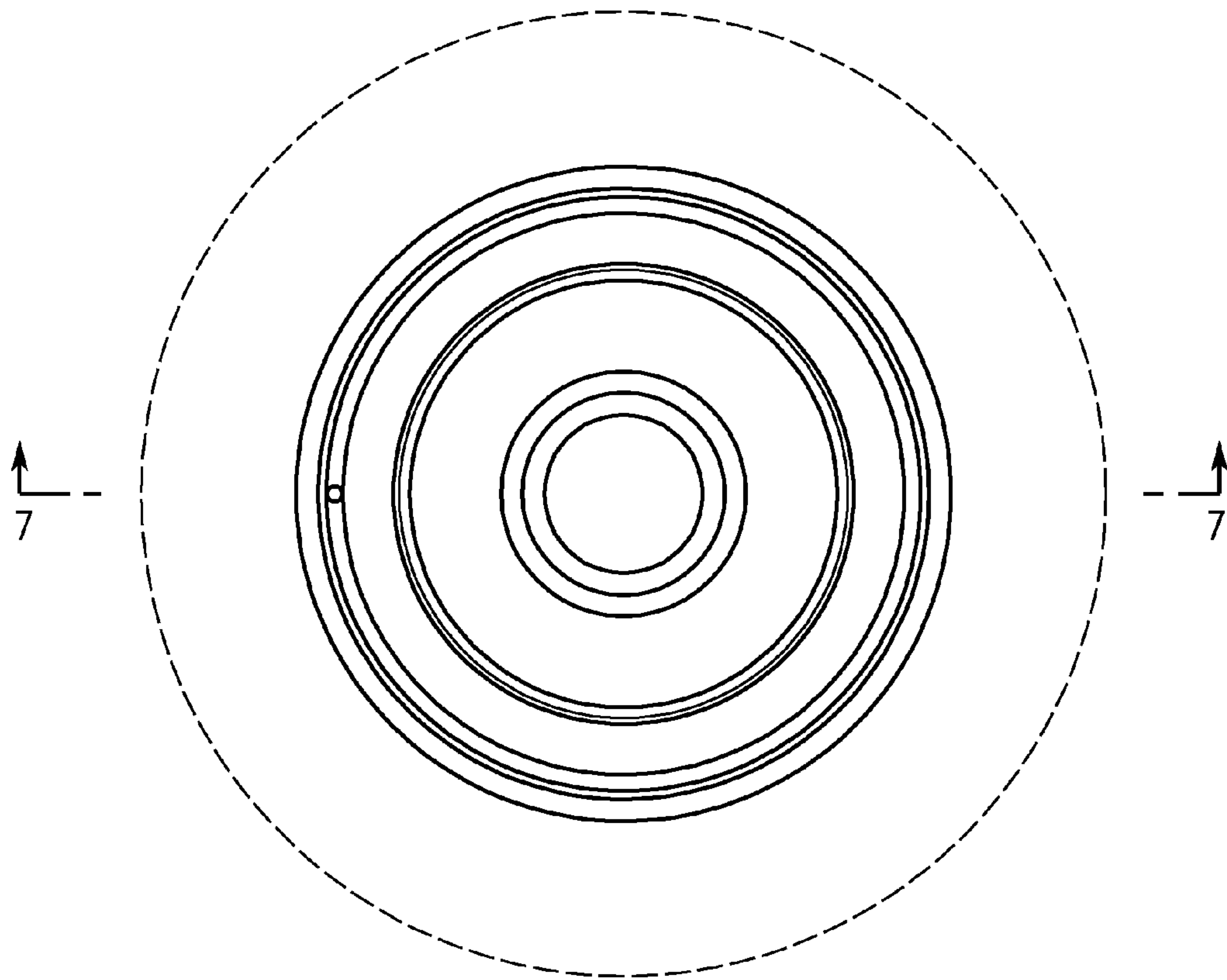


FIG. 6

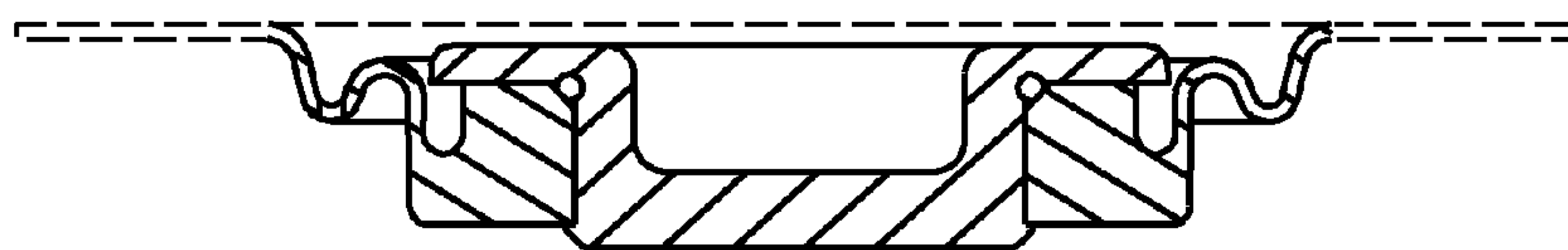


FIG. 7