



US00D739498S

(12) **United States Design Patent**
Flowers et al.

(10) **Patent No.:** **US D739,498 S**
(45) **Date of Patent:** **** Sep. 22, 2015**

(54) **BATH THERMOSTAT**

(71) Applicant: **Grohe AG**, Hemer (DE)
(72) Inventors: **Paul Flowers**, Duesseldorf (DE); **Hans Lobermeier**, Menden (DE)
(73) Assignee: **Grohe AG**, Hemer (DE)

(**) Term: **14 Years**

(21) Appl. No.: **29/513,675**

(22) Filed: **Jan. 5, 2015**

(30) **Foreign Application Priority Data**

Jul. 3, 2014 (EM) 002495937-0001

(51) **LOC (10) Cl.** **23-01**

(52) **U.S. Cl.**
USPC **D23/241**

(58) **Field of Classification Search**
USPC D23/238-243, 249, 253, 255, 257
CPC E03C 1/04; E03C 1/0401; E03C 1/0402;
E03C 1/0404

See application file for complete search history.

(56) **References Cited**

U.S. PATENT DOCUMENTS

D353,187 S *	12/1994	Formgren	D23/241
D353,442 S *	12/1994	Formgren	D23/241
D359,796 S *	6/1995	Formgren	D23/241
D403,051 S *	12/1998	Lobermeier	D23/241
D411,284 S *	6/1999	Gottwald	D23/241
D457,941 S *	5/2002	Lobermeier	D23/242
D493,211 S *	7/2004	Fraser et al.	D23/241

* cited by examiner

Primary Examiner — Robert Delehanty

(74) *Attorney, Agent, or Firm* — Muncy, Geissler, Olds & Lowe, P.C.

(57) **CLAIM**

The ornamental design for a bath thermostat, as shown and described.

DESCRIPTION

FIG. 1 is a front perspective view of a bath thermostat according to the present invention.

FIG. 2 is a left side view of the bath thermostat of FIG. 1.

FIG. 3 is a right side view of the bath thermostat of FIG. 1.

FIG. 4 is a top view of the bath thermostat of FIG. 1.

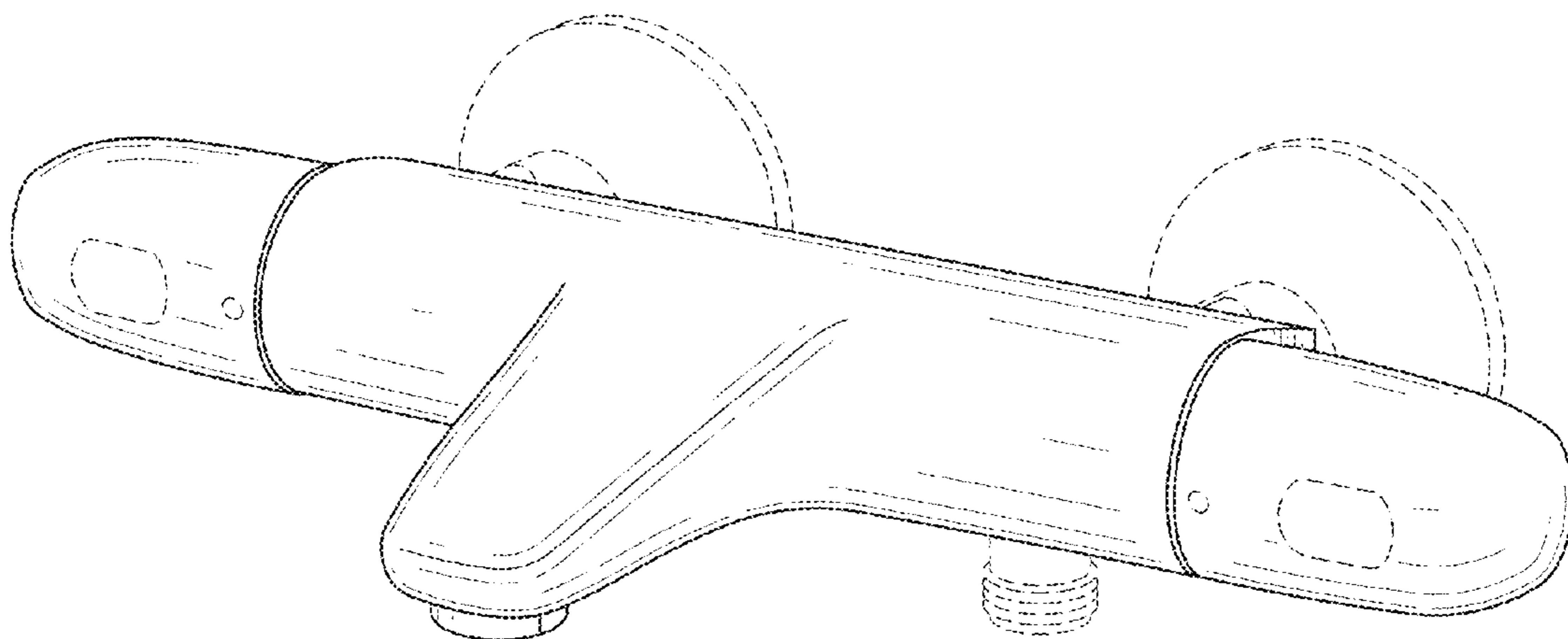
FIG. 5 is a bottom view of the bath thermostat of FIG. 1.

FIG. 6 is a front view of the bath thermostat of FIG. 1; and,

FIG. 7 is a rear view of the bath thermostat of FIG. 1.

The dashed lines illustrate environment that does not form a part of the present invention, and no claim is made to the material illustrated with dashed lines.

1 Claim, 7 Drawing Sheets



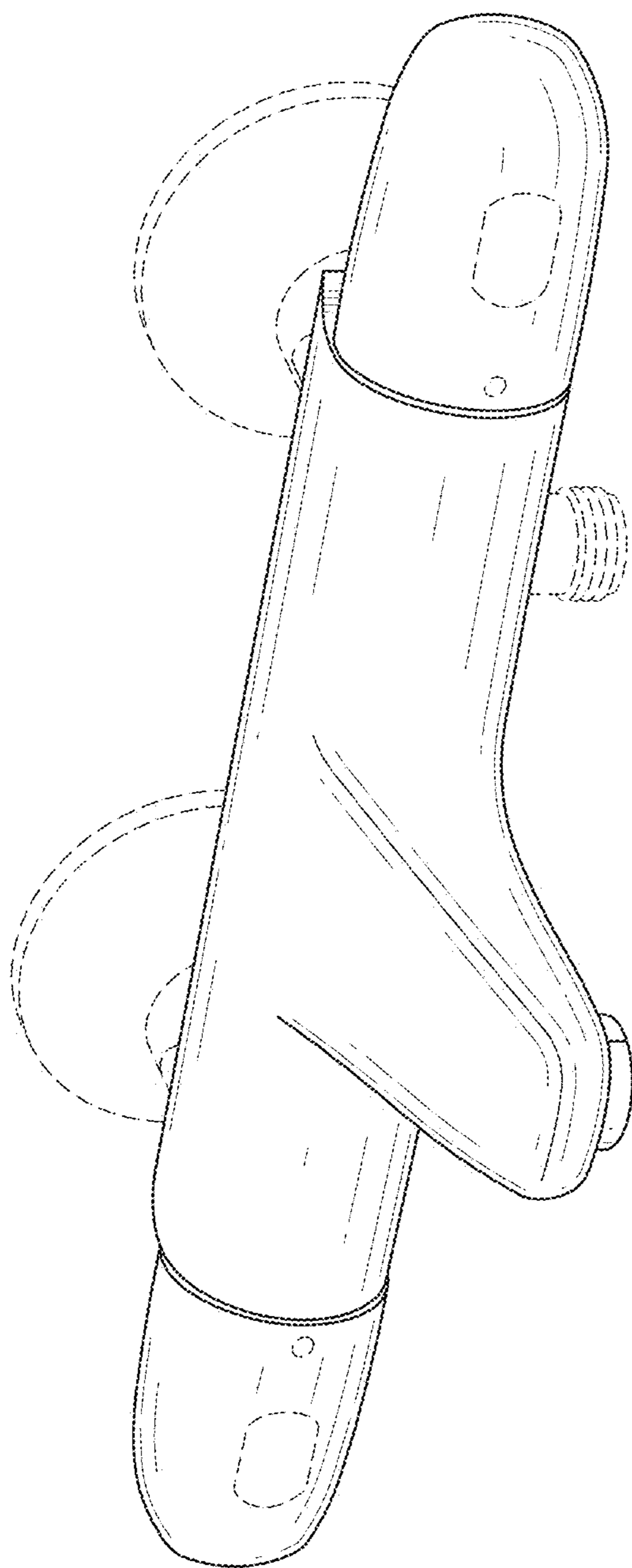


FIG.1

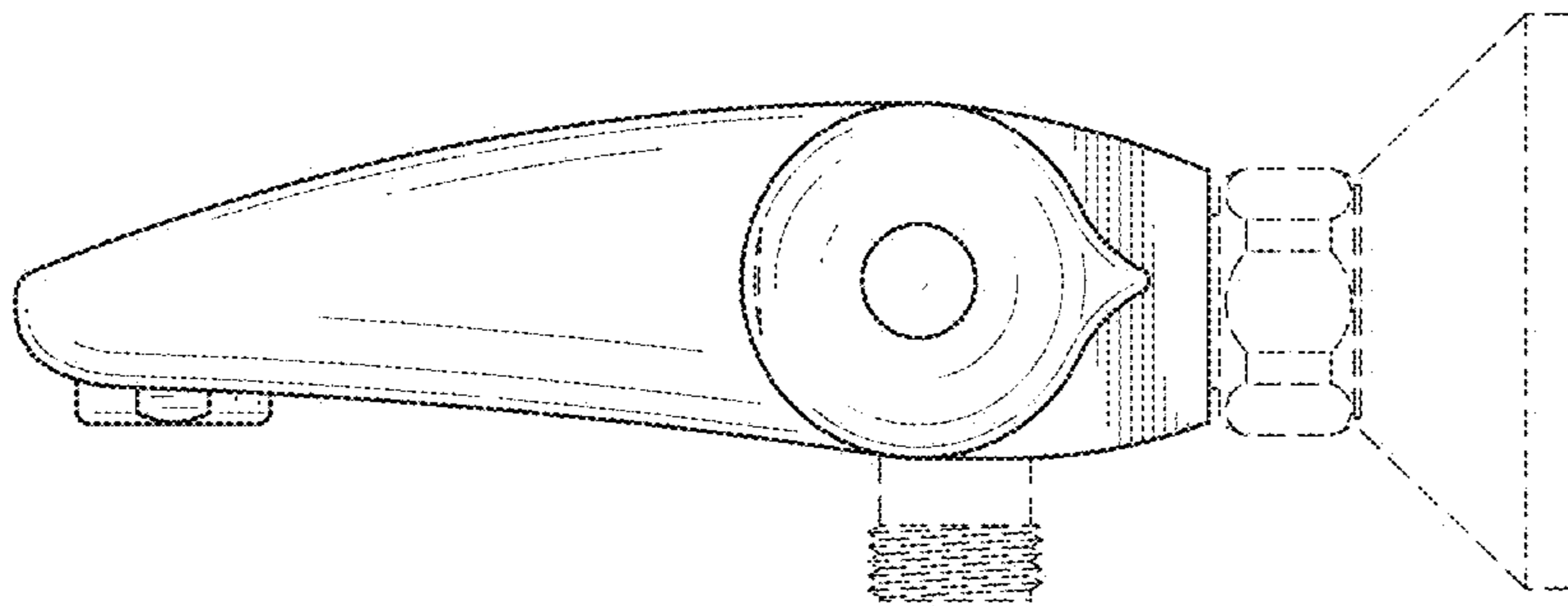


FIG.2

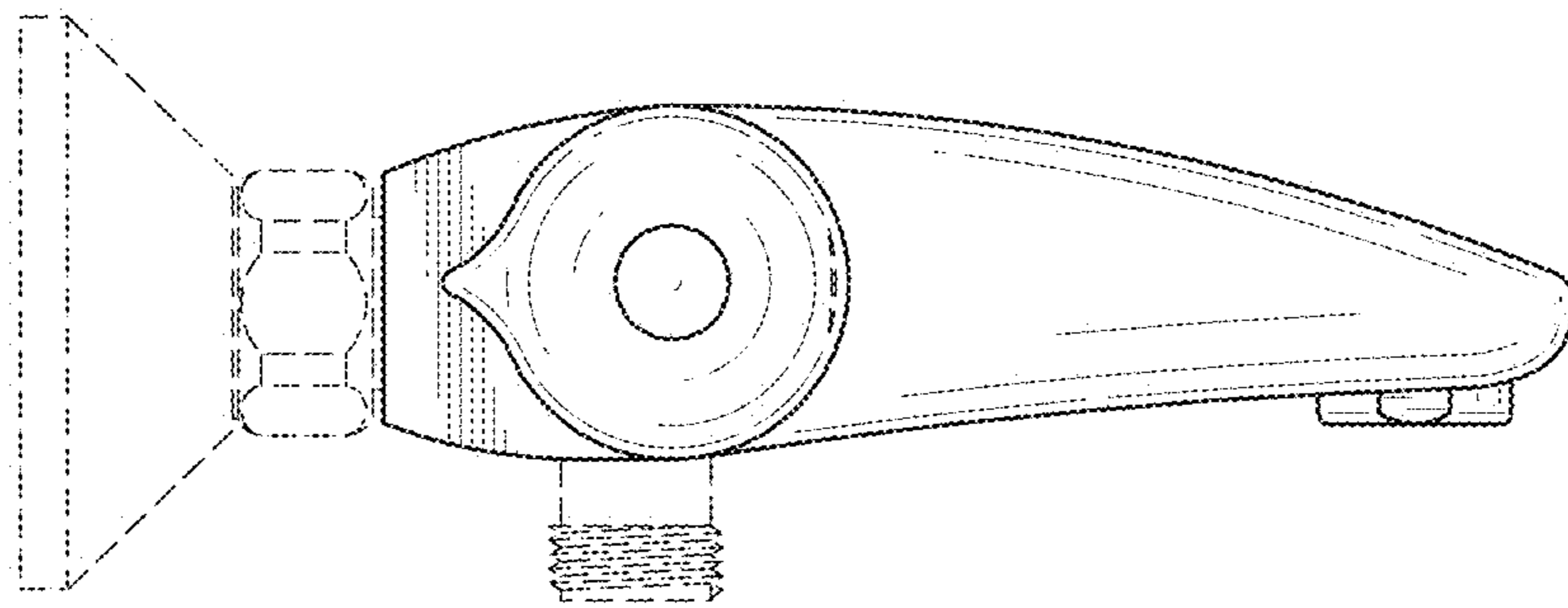


FIG.3

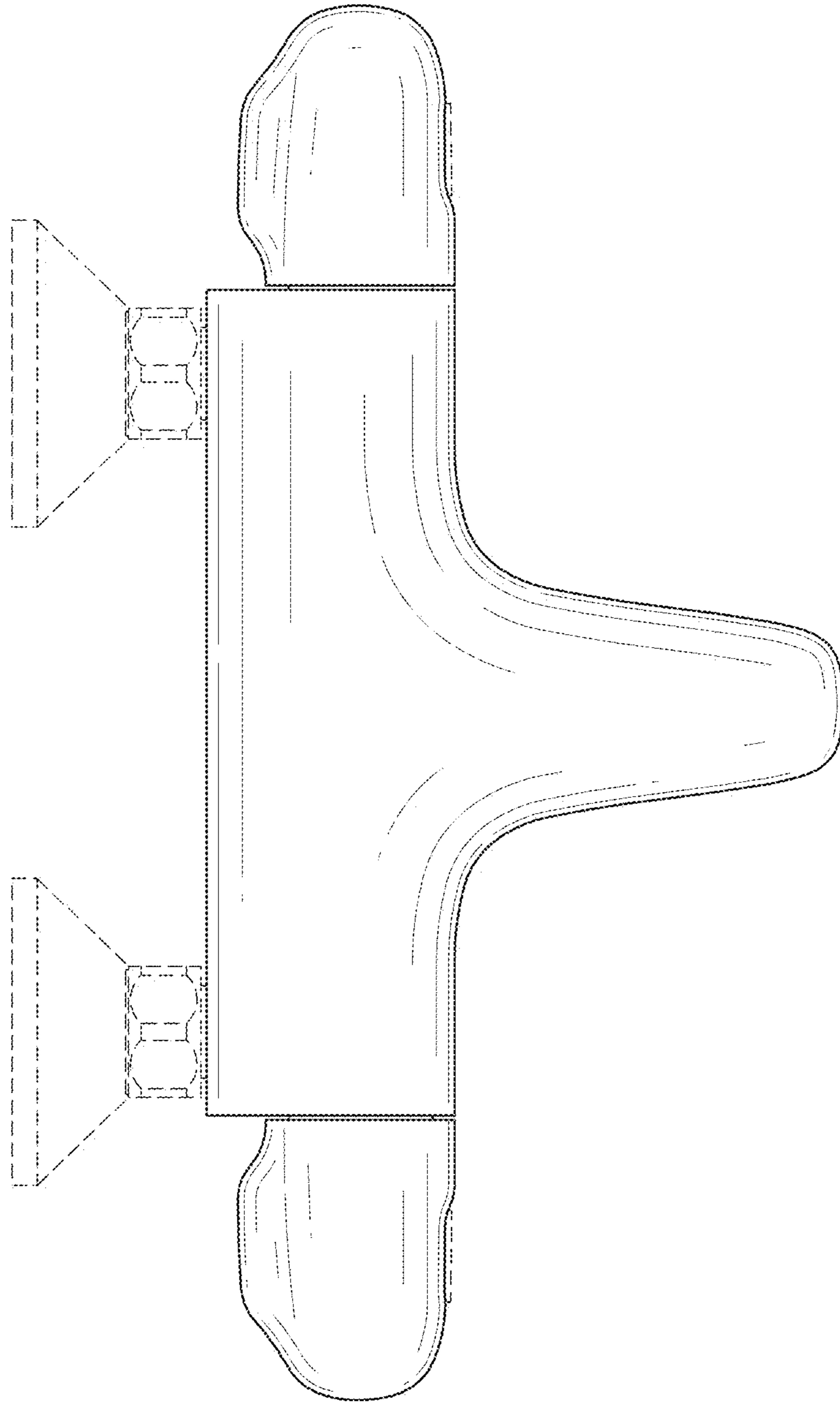


FIG.4

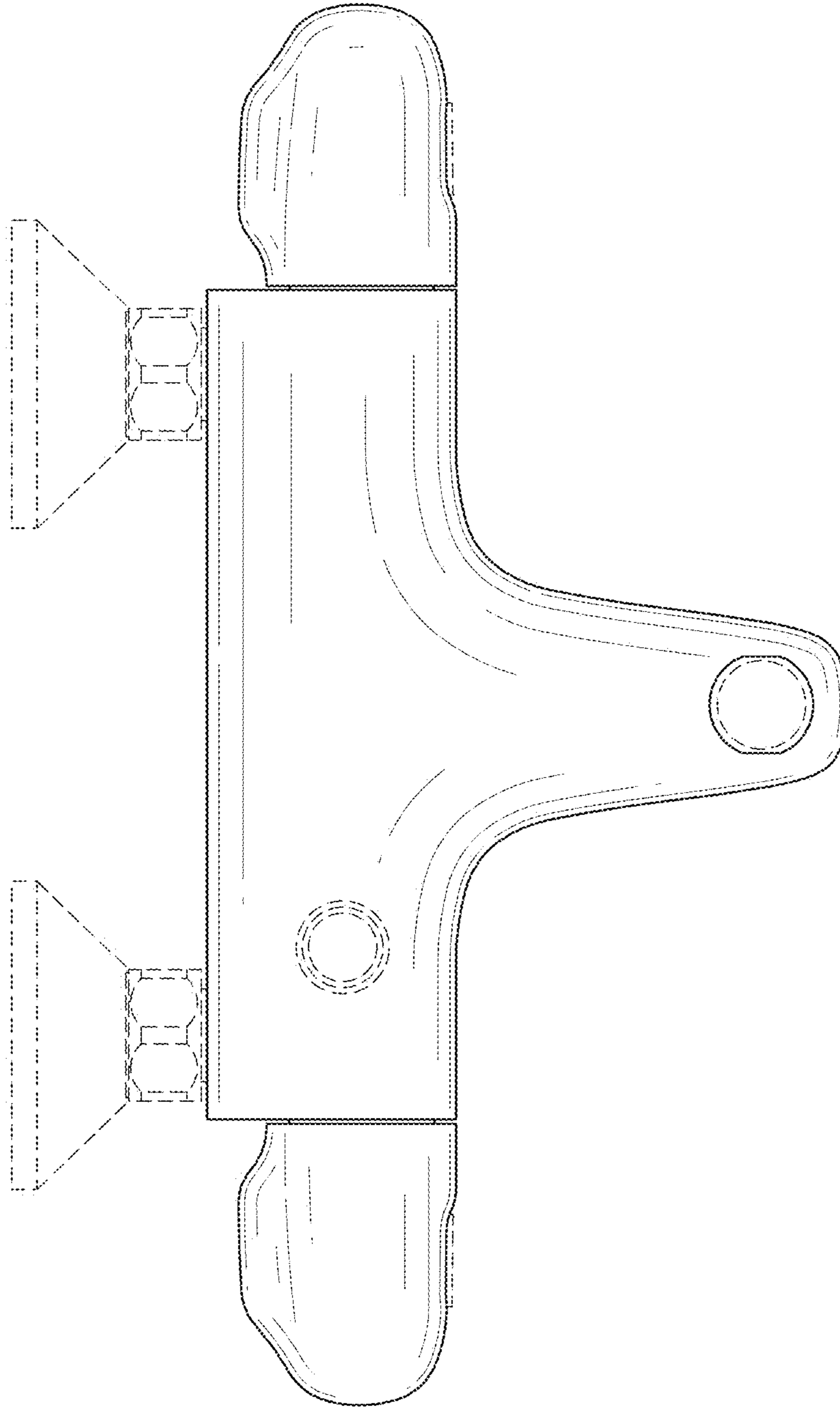


FIG. 5

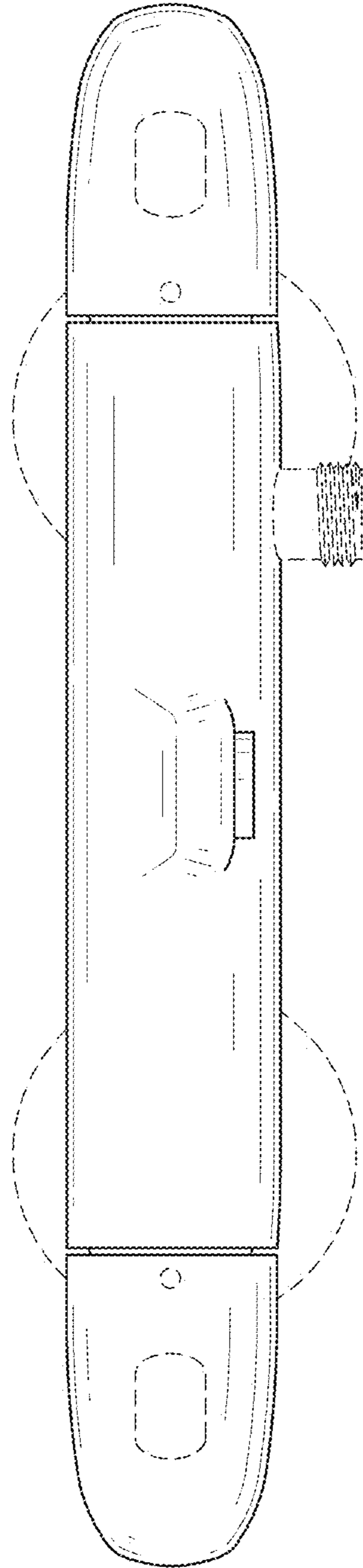


FIG.6

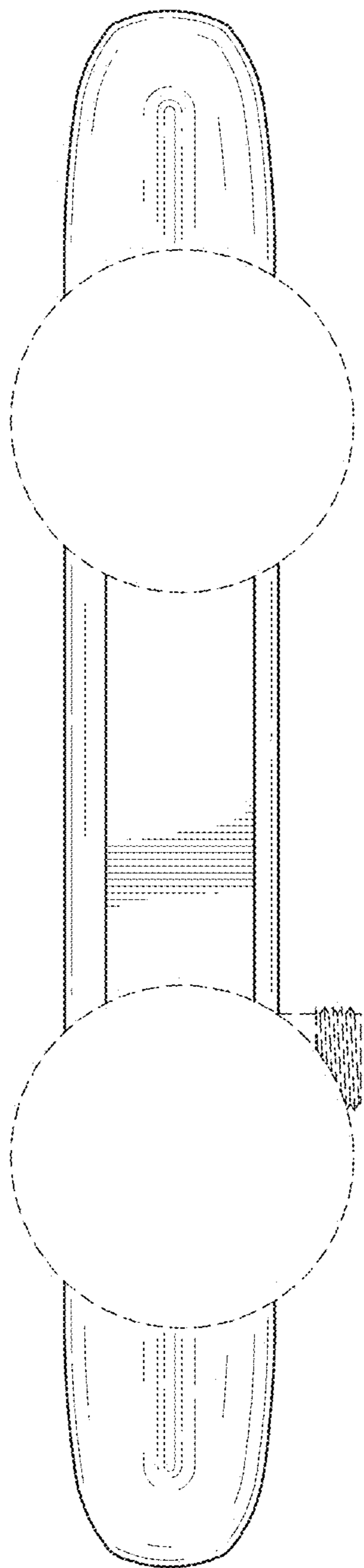


FIG. 7