



US00D739496S

(12) **United States Design Patent**
Hollinger

(10) **Patent No.:** **US D739,496 S**

(45) **Date of Patent:** **** Sep. 22, 2015**

(54) **SPRAY WAND FOR HOSE**

(71) Applicant: **E. MISHAN & SONS, INC.**, New York,
NY (US)

(72) Inventor: **Fred Hollinger**, Monroe Township, NJ
(US)

(73) Assignee: **E. MISHAN & SONS, INC.**, New York,
NY (US)

(**) Term: **14 Years**

(21) Appl. No.: **29/522,913**

(22) Filed: **Apr. 3, 2015**

Related U.S. Application Data

(62) Division of application No. 29/501,689, filed on Sep.
8, 2014, now Pat. No. Des. 729,902.

(51) **LOC (10) Cl.** **23-01**

(52) **U.S. Cl.**
USPC **D23/223**

(58) **Field of Classification Search**
USPC D23/213, 223, 226; 239/525-6, 530,
239/532
CPC B05B 9/01; B05B 12/002; B05B 7/02;
B05B 7/025

See application file for complete search history.

(56) **References Cited**

U.S. PATENT DOCUMENTS

D162,588 S *	3/1951	Simms	D23/226
D213,556 S *	3/1969	Sheeter	D23/223
D319,296 S *	8/1991	Heren	D23/223
5,415,353 A *	5/1995	Jackson	239/530
D434,104 S *	11/2000	Kuo	D23/223
D443,023 S *	5/2001	Wang	D23/223
D475,436 S *	6/2003	Kuo	D23/223
D498,515 S *	11/2004	Wilson	D23/223
D541,377 S *	4/2007	Chen	D23/223
D545,942 S *	7/2007	Mora et al.	D23/223
D562,940 S *	2/2008	Harpham et al.	D23/223

* cited by examiner

Primary Examiner — Robin V Webster

(74) *Attorney, Agent, or Firm* — Notaro, Michalos &
Zaccaria P.C.

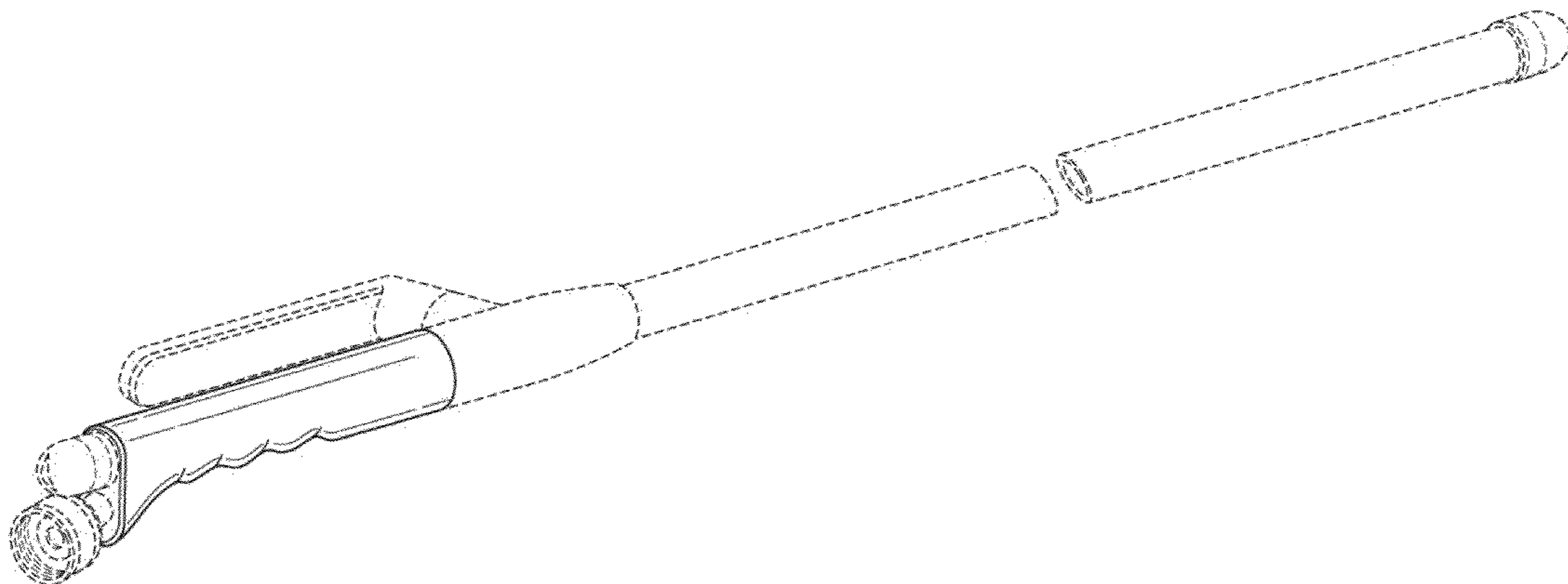
(57) **CLAIM**

The ornamental design for a spray wand for hose, as shown
and described.

DESCRIPTION

FIG. 1 is a right perspective view of a spray wand for hose
showing my new design with parts shown in broken line
forming no part of the claimed design;
FIG. 2 is a front view thereof;
FIG. 3 is a rear view thereof;
FIG. 4 is a left side elevational view thereof;
FIG. 5 is a right side elevational view thereof;
FIG. 6 is a top plan view thereof; and,
FIG. 7 is a bottom plan view thereof.

1 Claim, 4 Drawing Sheets



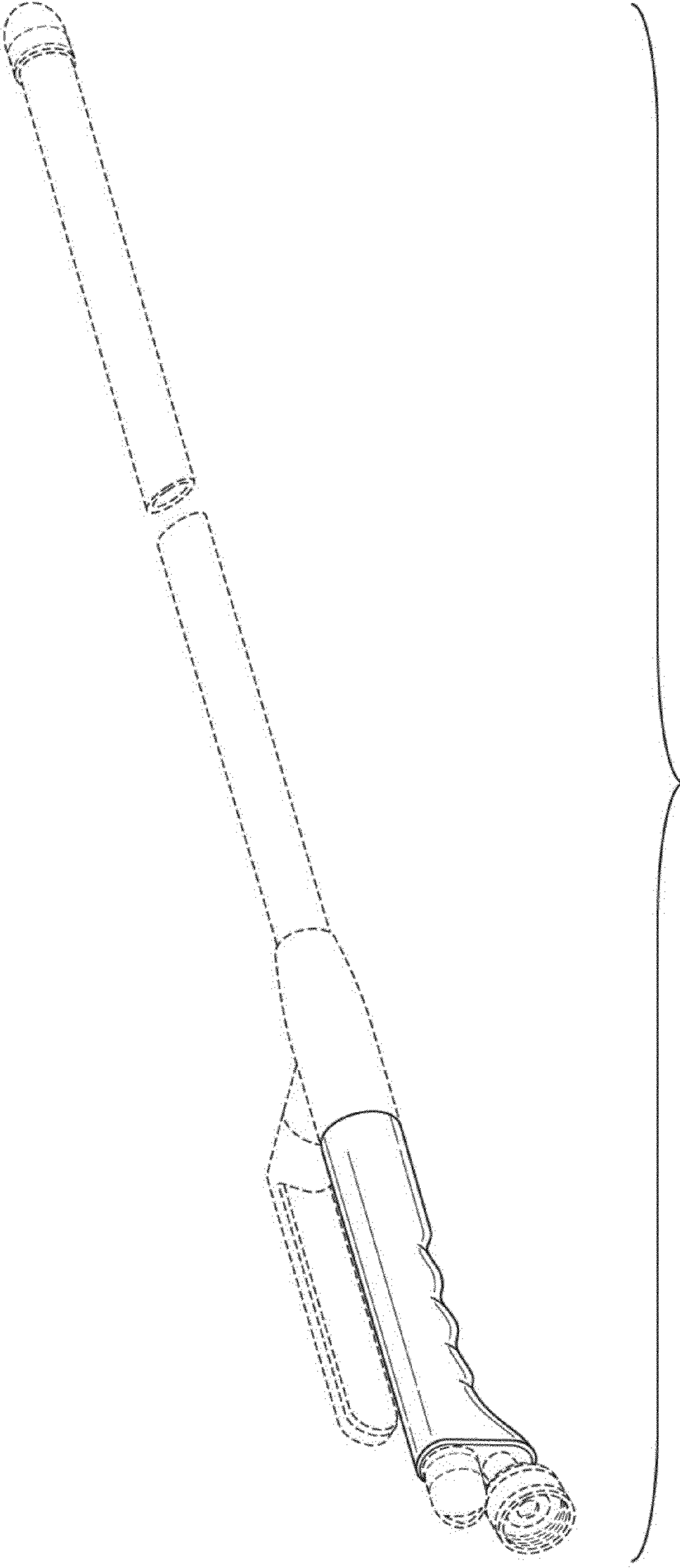


Fig. 1

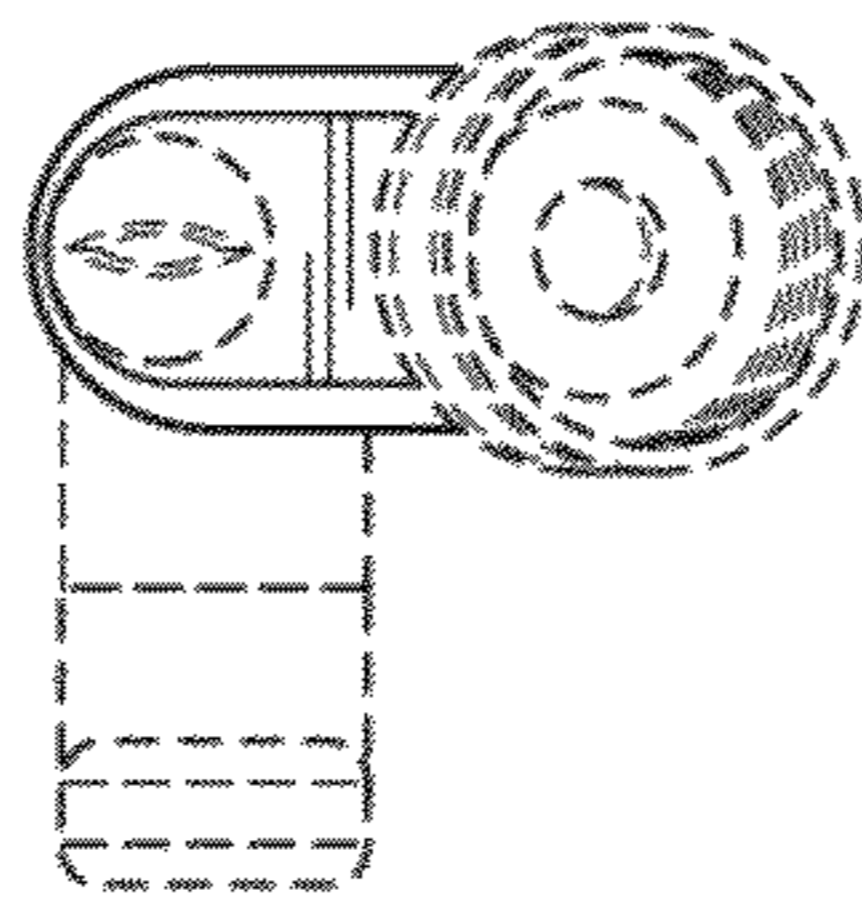


Fig. 3

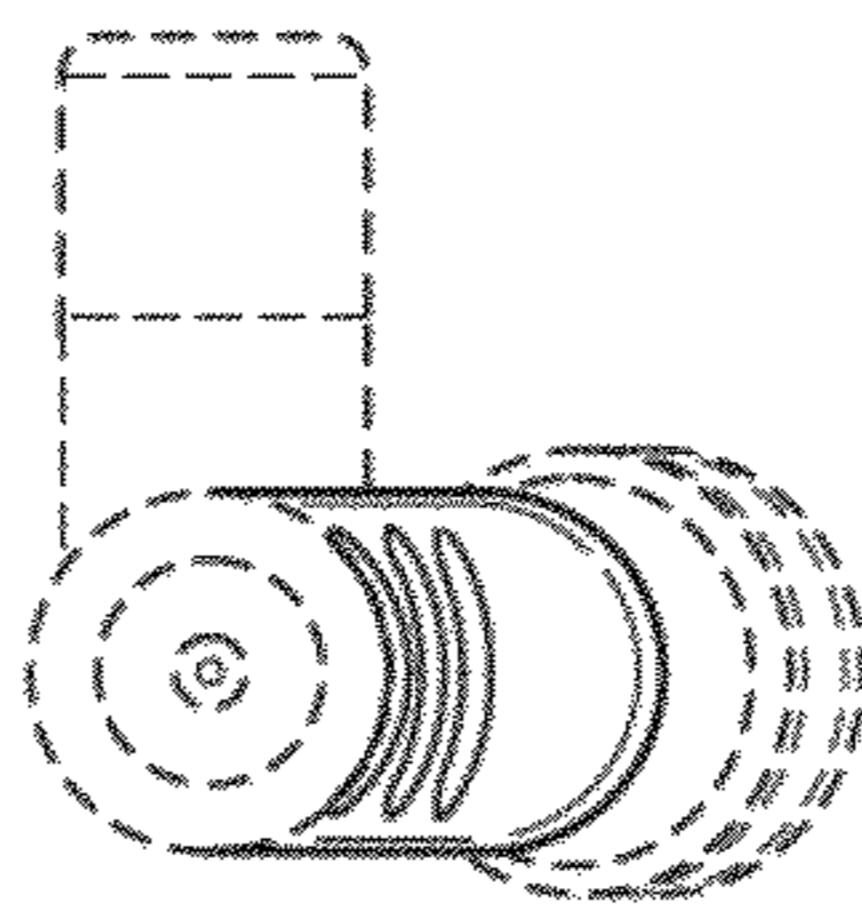


Fig. 2

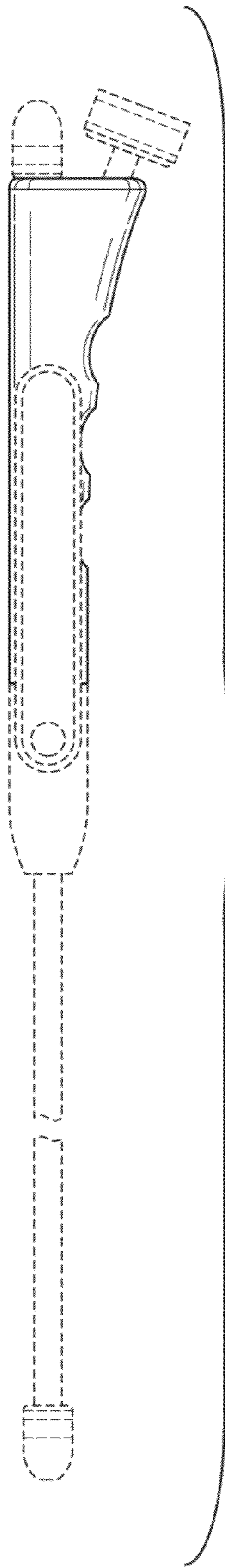


Fig. 4

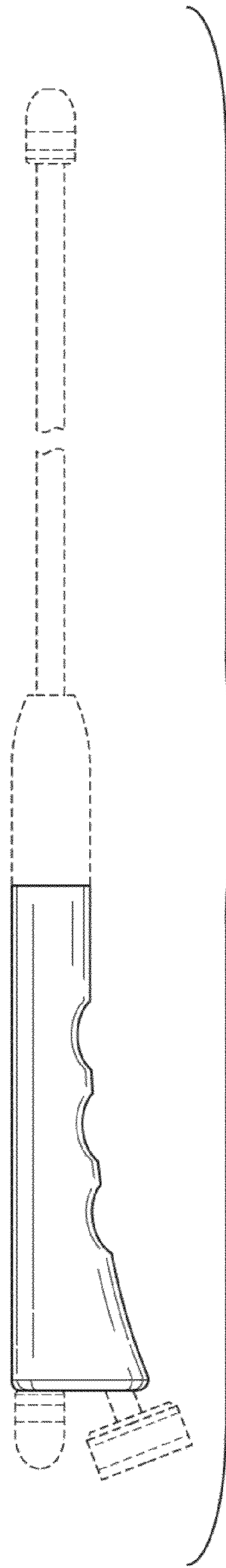


Fig. 5

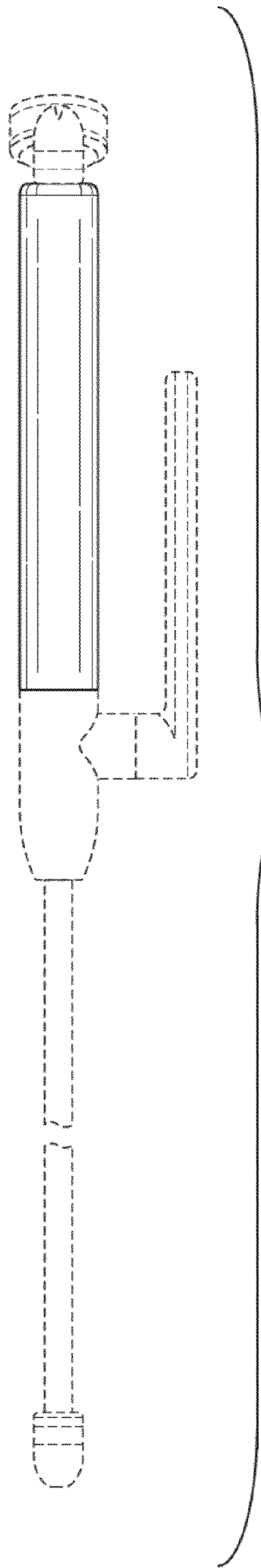


Fig. 6

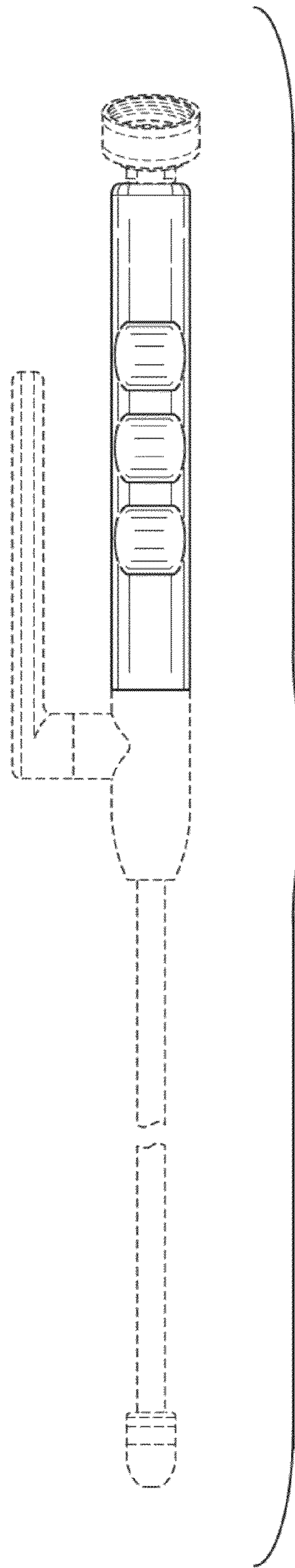


Fig. 7