



US00D739495S

(12) **United States Design Patent**
Flowers et al.

(10) **Patent No.:** **US D739,495 S**
(45) **Date of Patent:** **** Sep. 22, 2015**

(54) **SHOWERHEAD**

- (71) Applicant: **Grohe AG**, Hemer (DE)
- (72) Inventors: **Paul Flowers**, Duesseldorf (DE); **Hans Lobermeier**, Menden (DE)
- (73) Assignee: **GROHE AG**, Hemer (DE)
- (**) Term: **14 Years**
- (21) Appl. No.: **29/490,966**
- (22) Filed: **May 15, 2014**

Related U.S. Application Data

- (62) Division of application No. 29/451,380, filed on Apr. 1, 2013, now Pat. No. Des. 713,493.

(30) **Foreign Application Priority Data**

Oct. 1, 2012 (EM) 002111344-0001

- (51) **LOC (10) Cl.** **23-01**
- (52) **U.S. Cl.**
USPC **D23/213**
- (58) **Field of Classification Search**
USPC D23/213, 229, 230; 239/282, 283, 548;
4/615

See application file for complete search history.

(56) **References Cited**

U.S. PATENT DOCUMENTS

D590,476 S *	4/2009	Schönherr et al.	D23/213
D634,401 S *	3/2011	Flowers et al.	D23/213
D637,266 S *	5/2011	Flowers et al.	D23/213
D649,623 S *	11/2011	Flowers	D23/213
D662,178 S *	6/2012	Flowers et al.	D23/213

* cited by examiner

Primary Examiner — Robin V Webster

(74) *Attorney, Agent, or Firm* — Muncy, Geissler, Olds & Lowe, P.C.

(57) **CLAIM**

The ornamental design for a showerhead, as shown and described.

DESCRIPTION

FIG. 1 is a left side elevational view of a showerhead according to the present invention.

FIG. 2 is a right side elevational view of the showerhead of FIG. 1.

FIG. 3 is a front elevational view of the showerhead of FIG. 1.

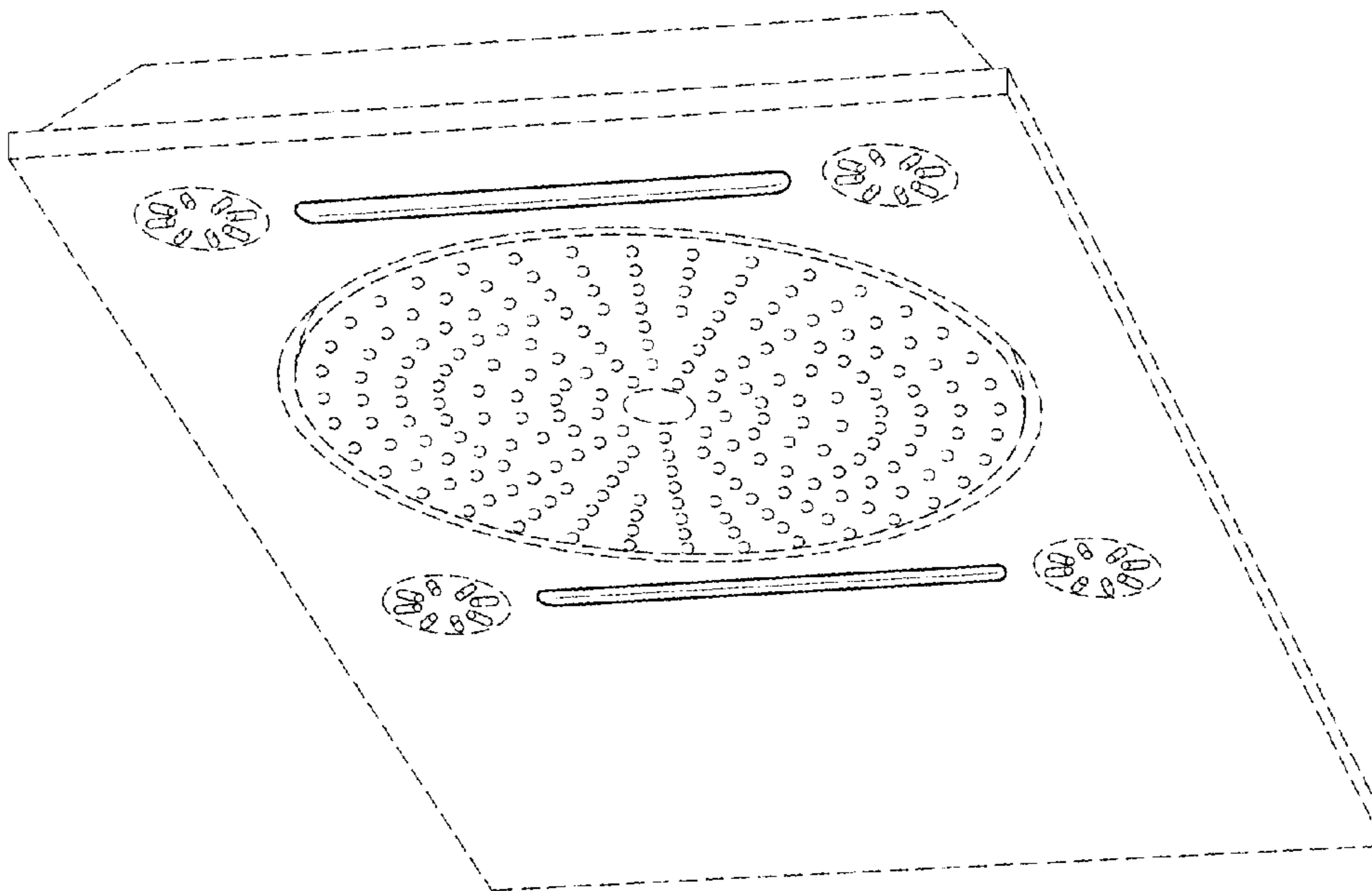
FIG. 4 is a rear elevational view of the showerhead of FIG. 1.

FIG. 5 is a top plan view of the showerhead of FIG. 1.

FIG. 6 is a bottom plan view of the showerhead of FIG. 1; and, FIG. 7 is a perspective view of the showerhead of FIG. 1.

The dashed lines illustrate environment that does not form a part of the present invention, and no claim is made to the material illustrated with dashed lines.

1 Claim, 7 Drawing Sheets



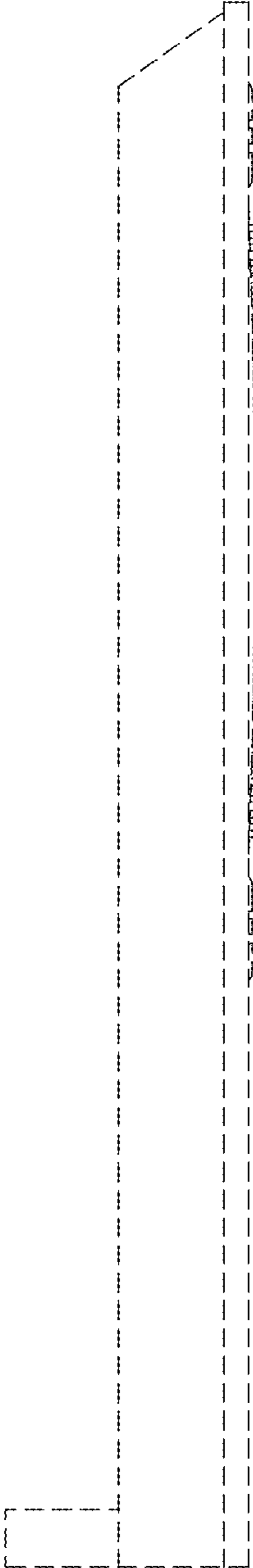


FIG.1

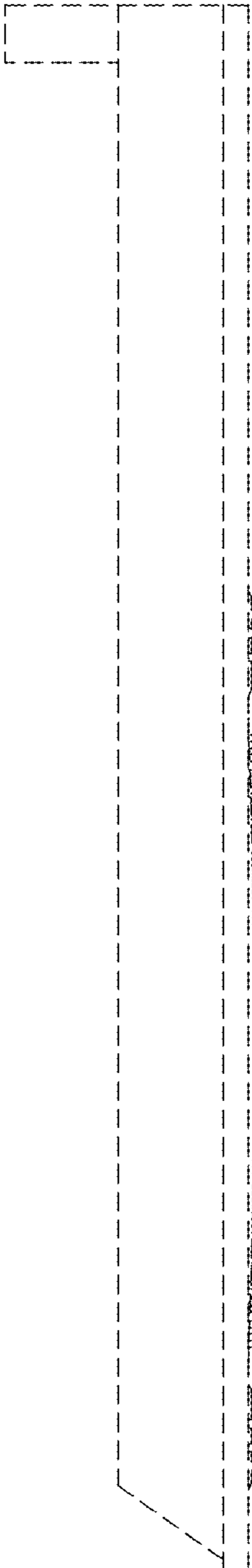


FIG.2

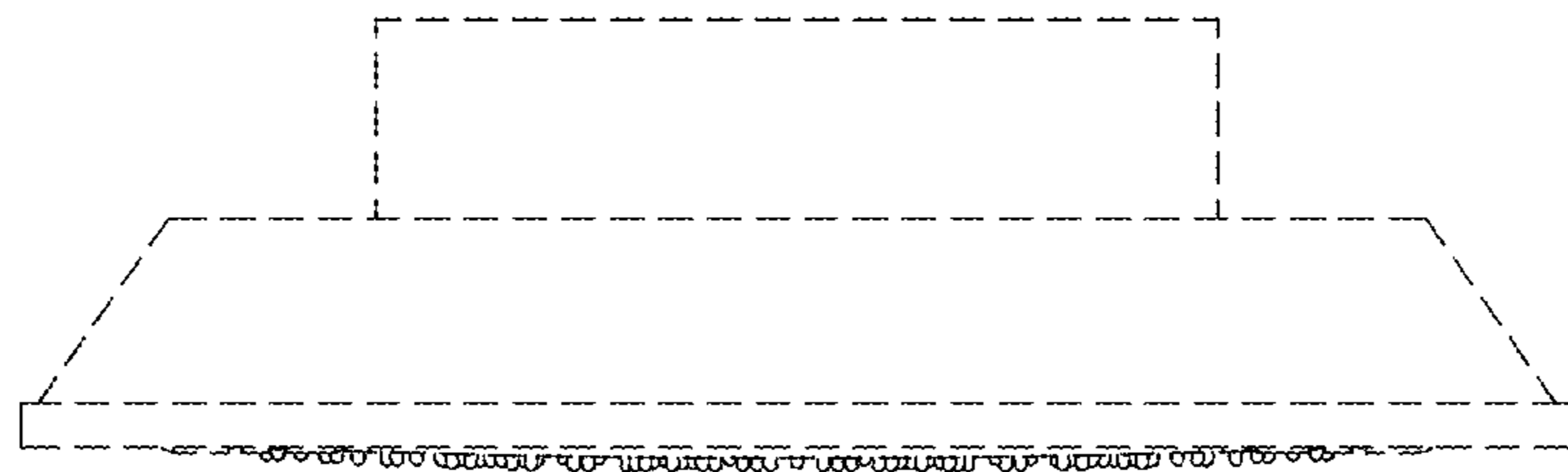


FIG.3

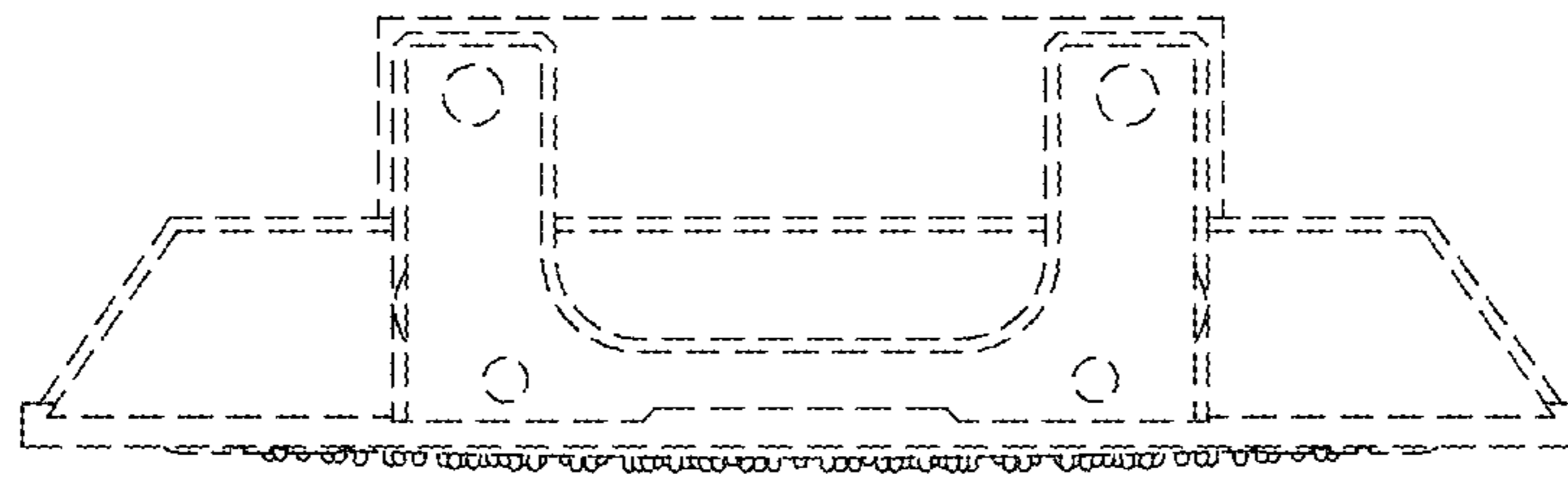


FIG.4

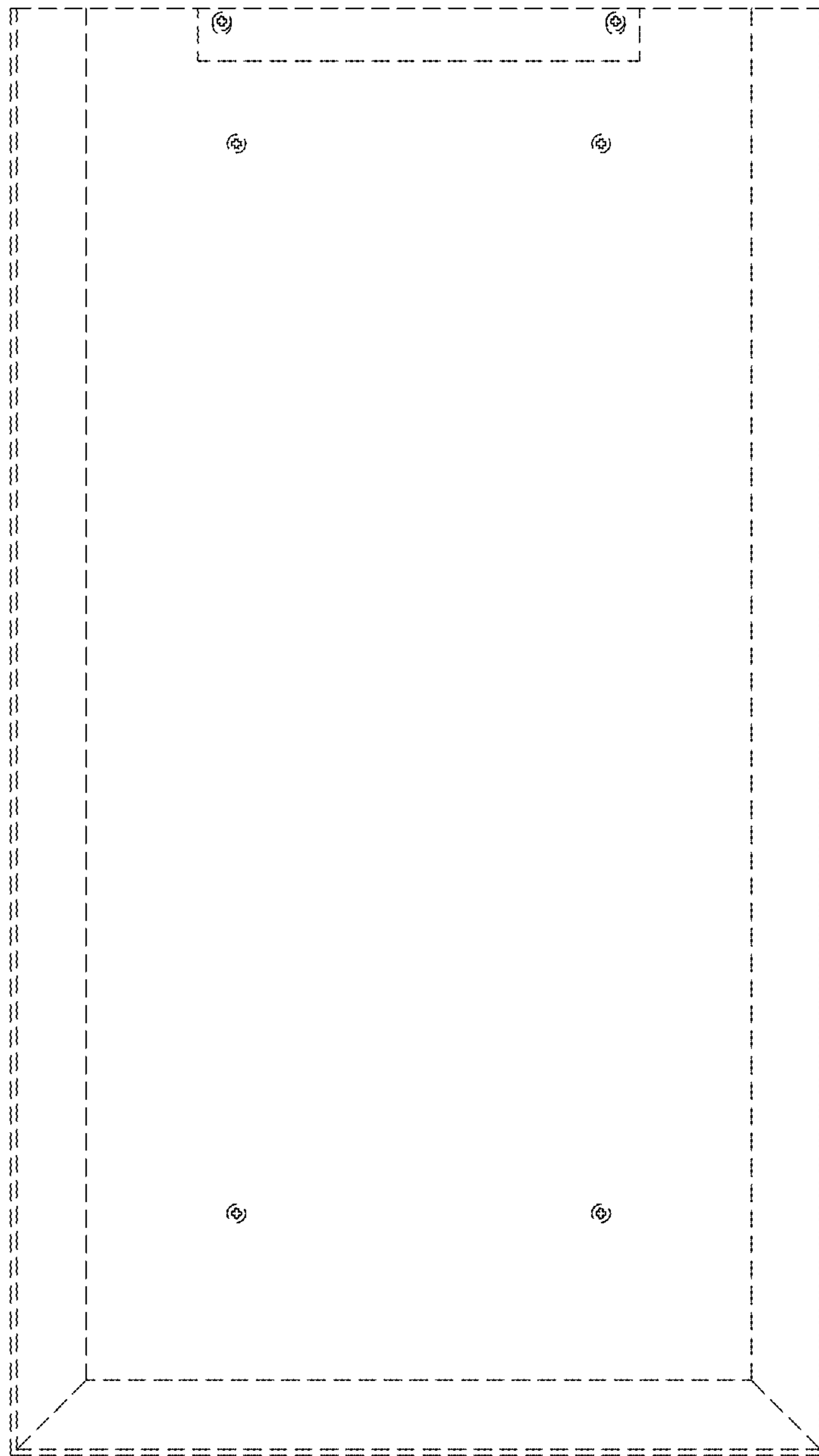


FIG.5

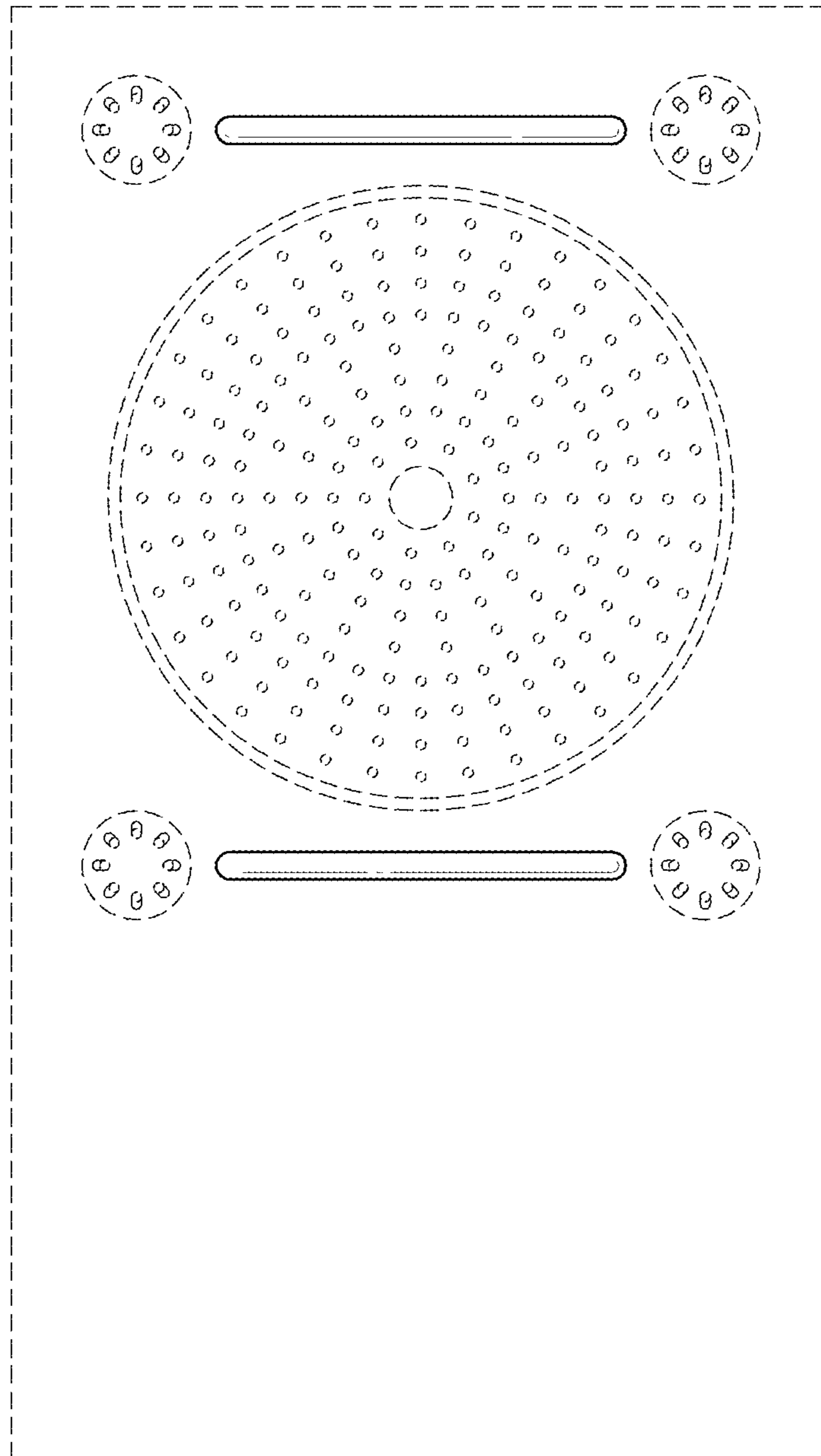


FIG. 6

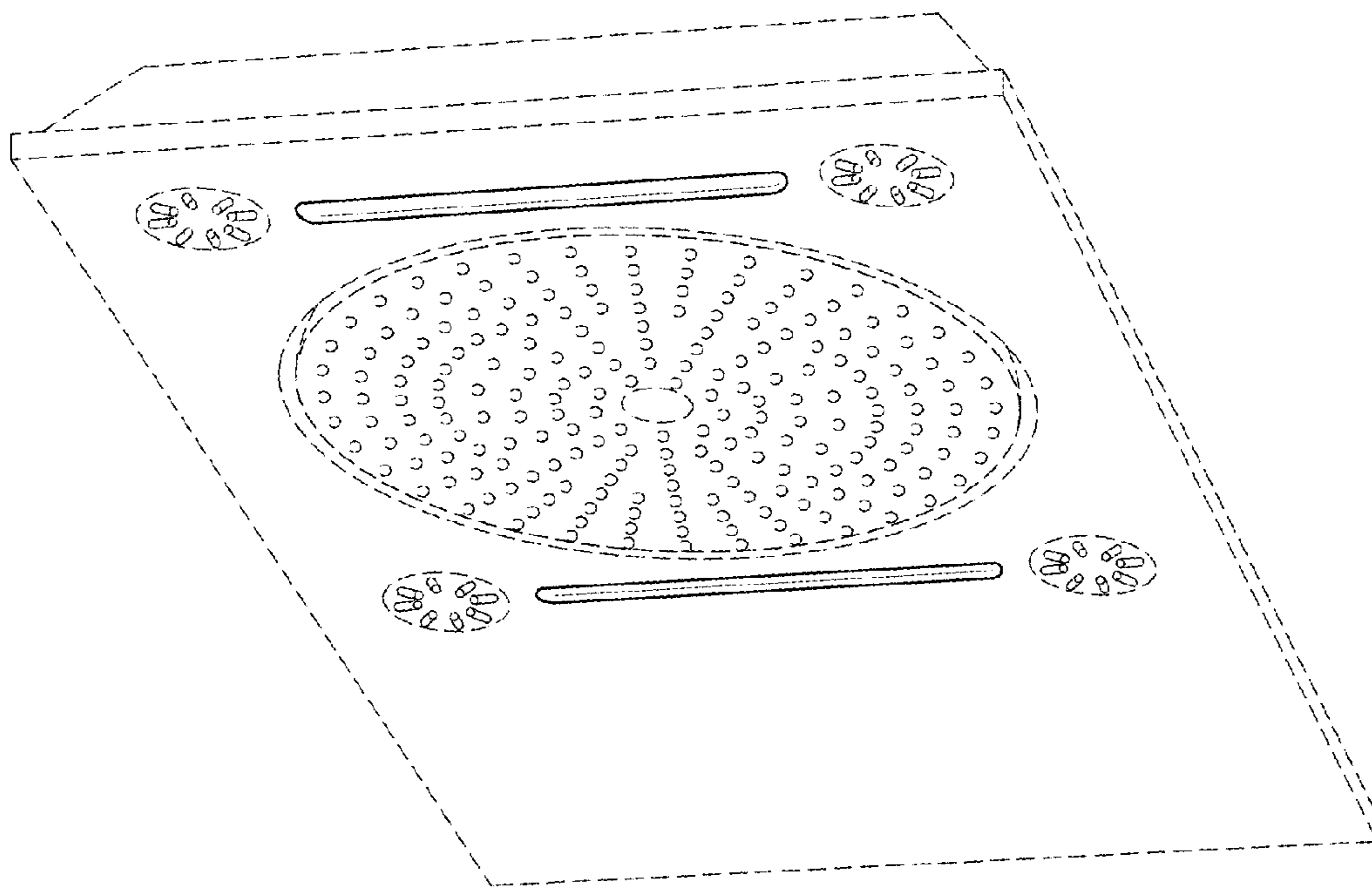


FIG.7