



US00D739494S

(12) **United States Design Patent**
Doi et al.

(10) **Patent No.:** **US D739,494 S**

(45) **Date of Patent:** **** Sep. 22, 2015**

(54) **MAIN BODY FOR WATER PURIFIER**

(71) Applicant: **Mitsubishi Rayon Co., Ltd.**,
Chiyoda-ku, Tokyo (JP)

(72) Inventors: **Tsuyoshi Doi**, Tokyo (JP); **Takeshi Ishikawa**, Tokyo (JP); **Hatsumi Takeda**, Toyohashi (JP); **Stefano Paccamiccio**, Recanati (IT)

(73) Assignee: **Mitsubishi Rayon Co. Ltd.** (JP)

(**) Term: **14 Years**

(21) Appl. No.: **29/498,529**

(22) Filed: **Aug. 5, 2014**

(30) **Foreign Application Priority Data**

Feb. 5, 2014 (JP) 2014-002396

(51) **LOC (10) Cl.** **23-01**

(52) **U.S. Cl.**
USPC **D23/207; D7/316**

(58) **Field of Classification Search**
USPC D23/207, 209; D7/316-319; 210/85,
210/143, 247, 232, 266
See application file for complete search history.

(56) **References Cited**

U.S. PATENT DOCUMENTS

D260,842 S * 9/1981 Trombly D7/319
D331,446 S * 12/1992 Gidman D23/209
D416,163 S * 11/1999 Doritty et al. D7/319
D460,311 S * 7/2002 Chang D7/319
D520,597 S * 5/2006 Witte D23/209
D546,113 S * 7/2007 Ruoff D7/319
D555,225 S * 11/2007 McCormack et al. D23/209
D573,394 S * 7/2008 Tullney et al. D7/317

D604,088 S * 11/2009 Bursztein D7/319
D616,694 S * 6/2010 Kulikov et al. D7/319
D655,373 S * 3/2012 Sheppard et al. D23/209
D675,861 S * 2/2013 Gray D7/318
D677,359 S * 3/2013 Sheppard et al. D23/209
D677,360 S * 3/2013 Sheppard et al. D23/209
D677,752 S * 3/2013 Sheppard et al. D23/209
D677,753 S * 3/2013 Sheppard et al. D23/209

FOREIGN PATENT DOCUMENTS

TW D111805 7/2006
TW D114045 12/2006
TW D157752 12/2013

* cited by examiner

Primary Examiner — Robin V Webster

(74) *Attorney, Agent, or Firm* — Saidman DesignLaw Group, LLC

(57) **CLAIM**

The ornamental design for a main body for water purifier, as shown and described.

DESCRIPTION

FIG. 1 is a front perspective view of a main body for water purifier showing our new design;
FIG. 2 is a rear perspective view thereof;
FIG. 3 is another front perspective view thereof;
FIG. 4 is another rear perspective view thereof;
FIG. 5 is a front elevational view thereof;
FIG. 6 is a rear elevational view thereof;
FIG. 7 is a left side elevational view thereof;
FIG. 8 is a right side elevational view thereof;
FIG. 9 is a top plan view thereof; and,
FIG. 10 is a bottom plan view thereof.
The broken lines shown in the drawings are for illustrative purposes only and form no part of the claimed design.

1 Claim, 8 Drawing Sheets

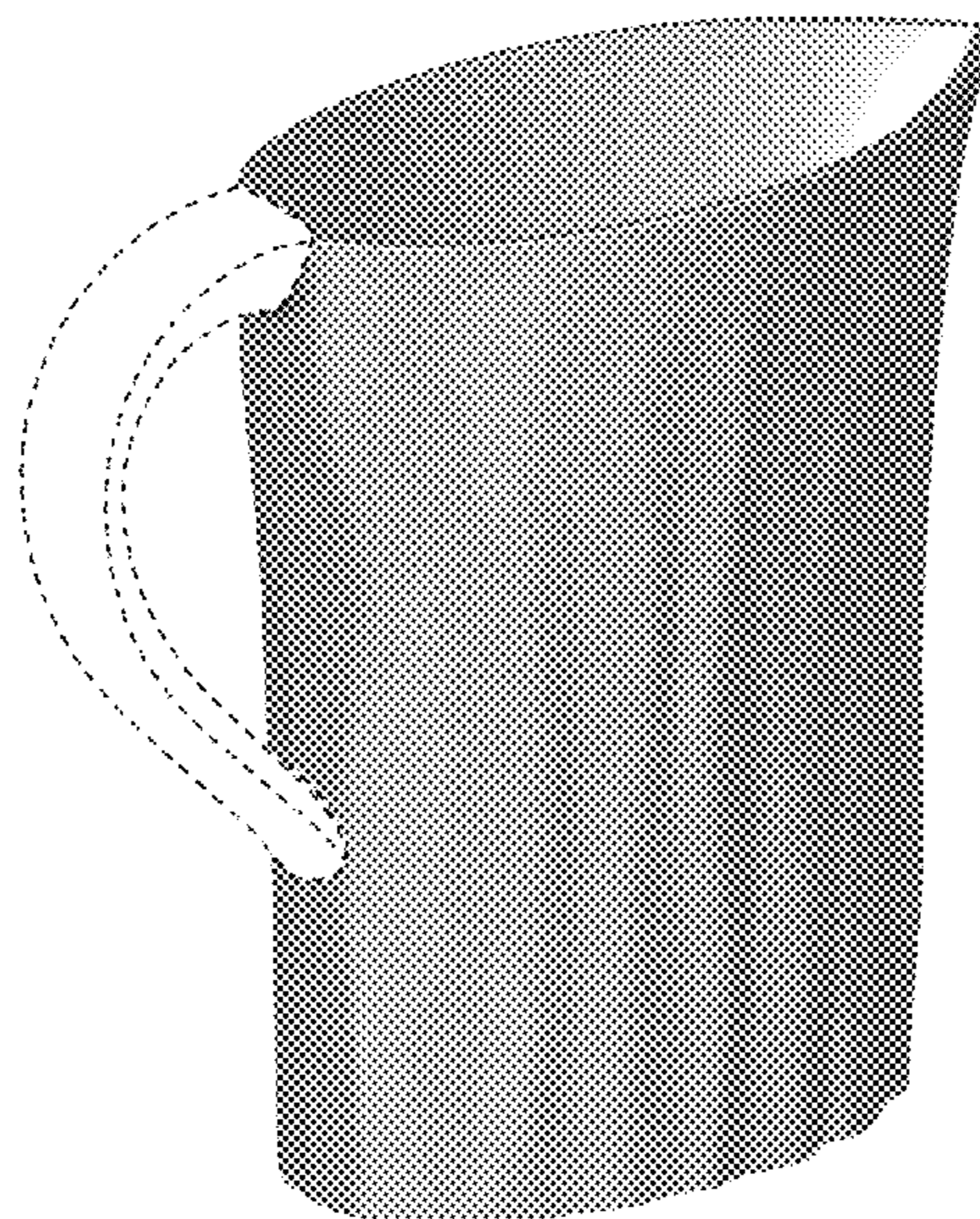


FIG. 1

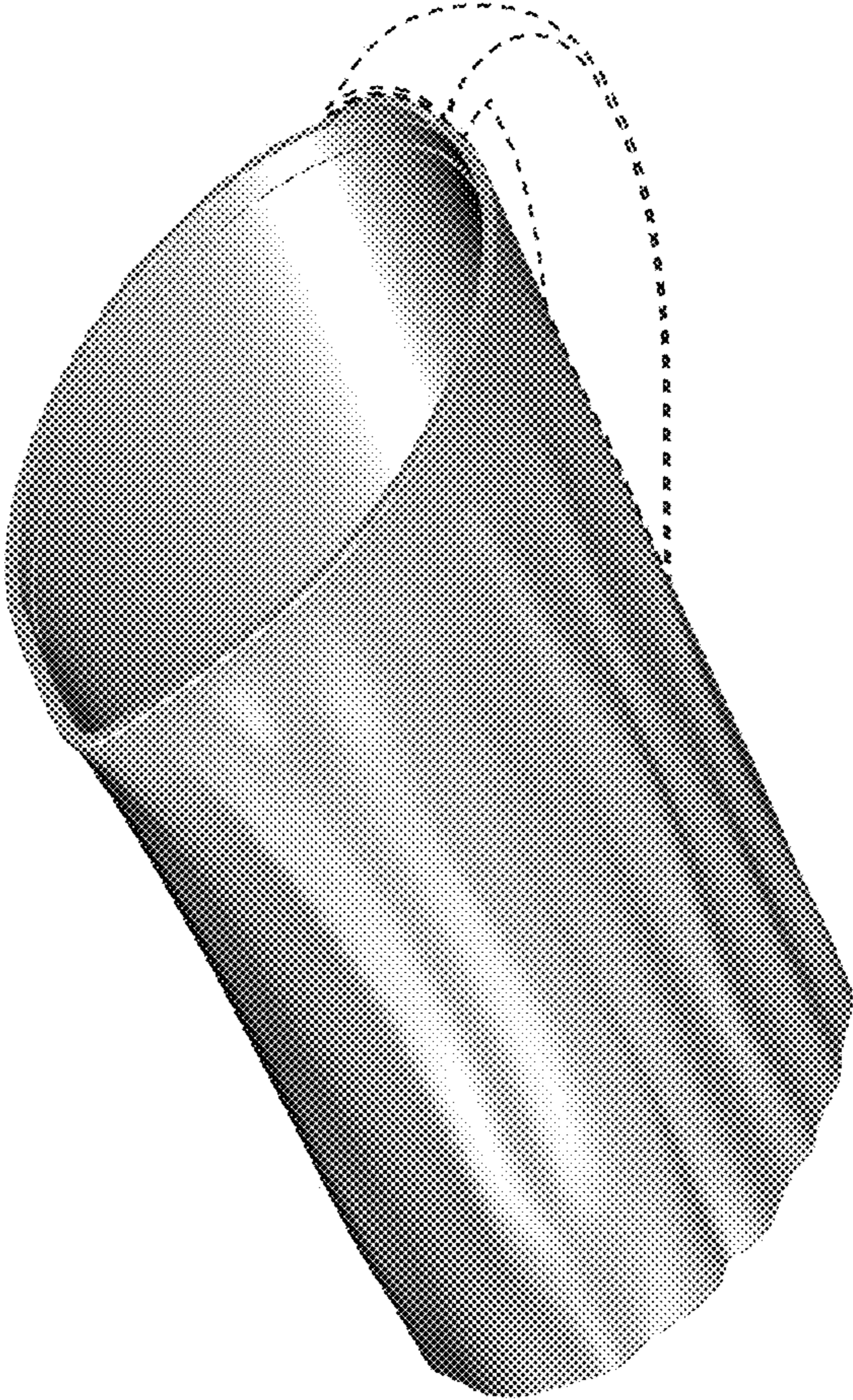


FIG. 2

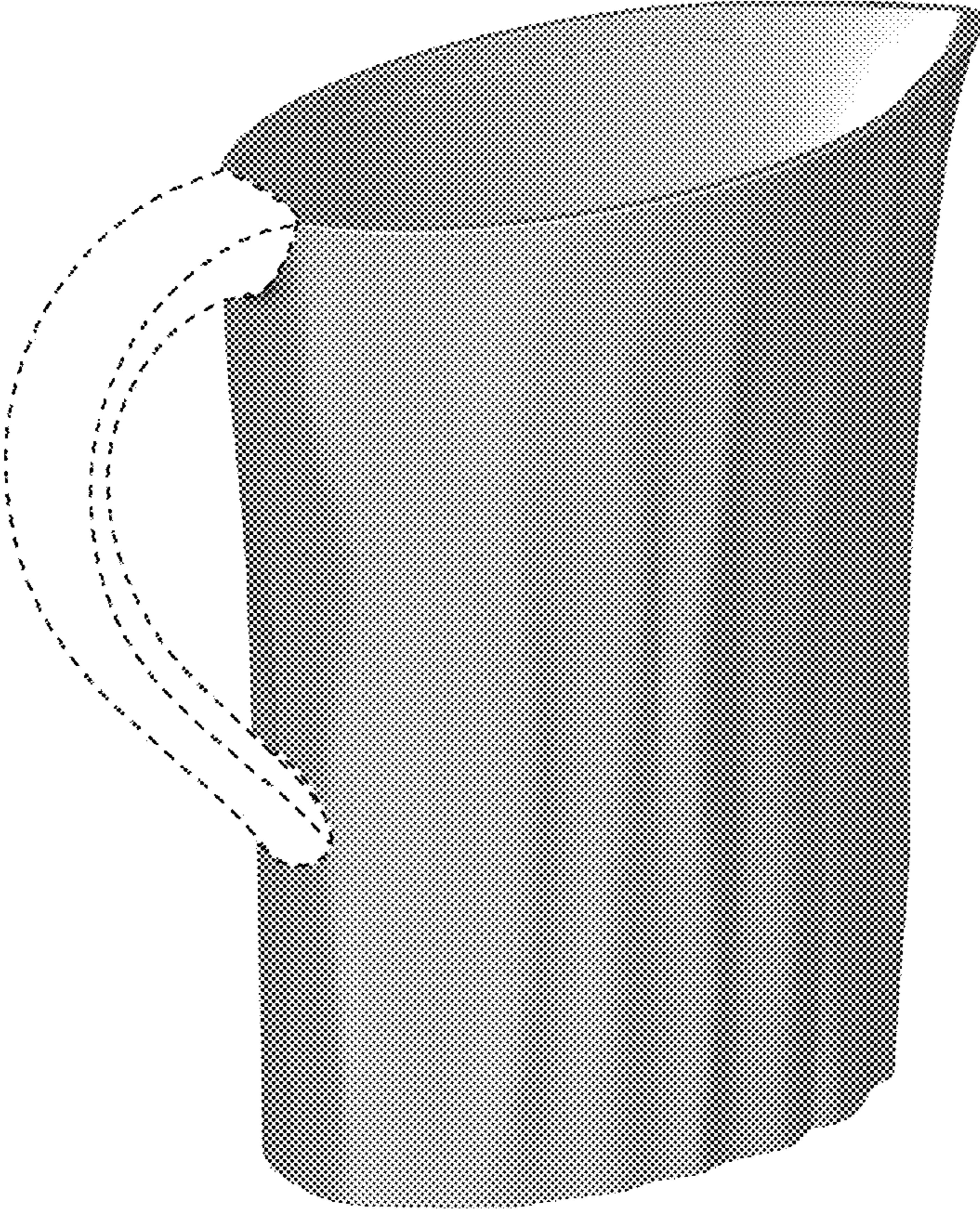


FIG. 3

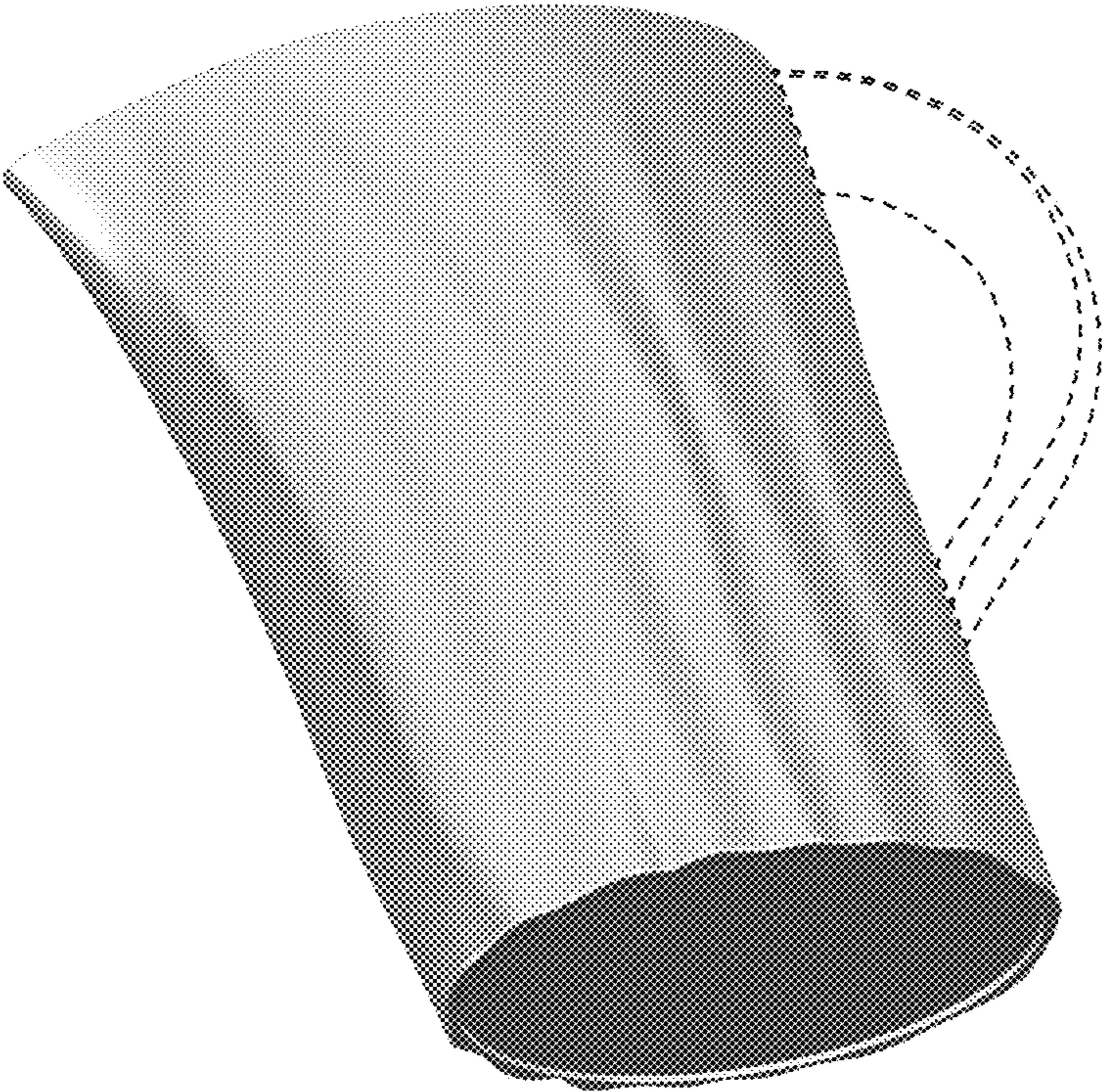


FIG. 4

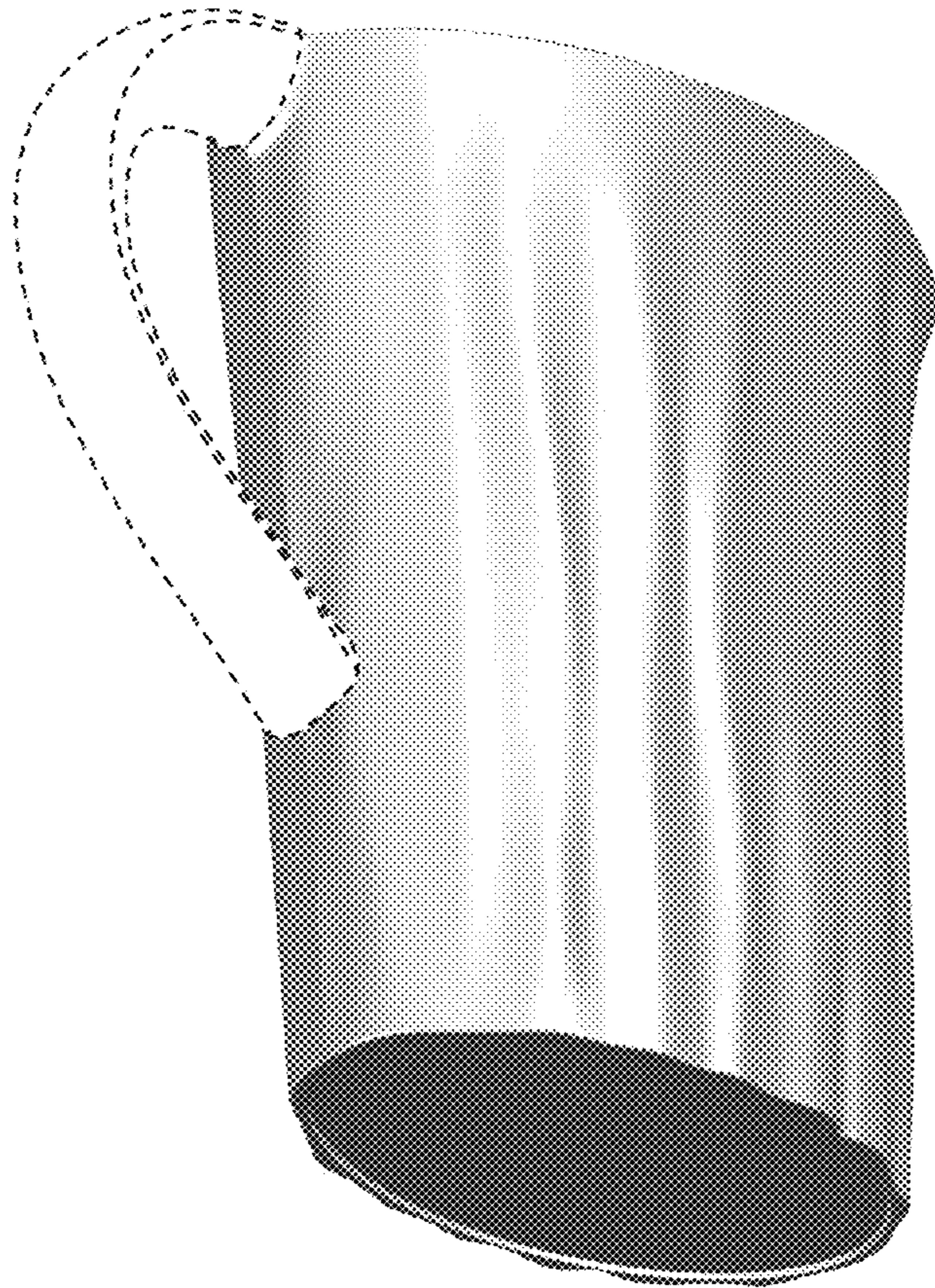


FIG. 5

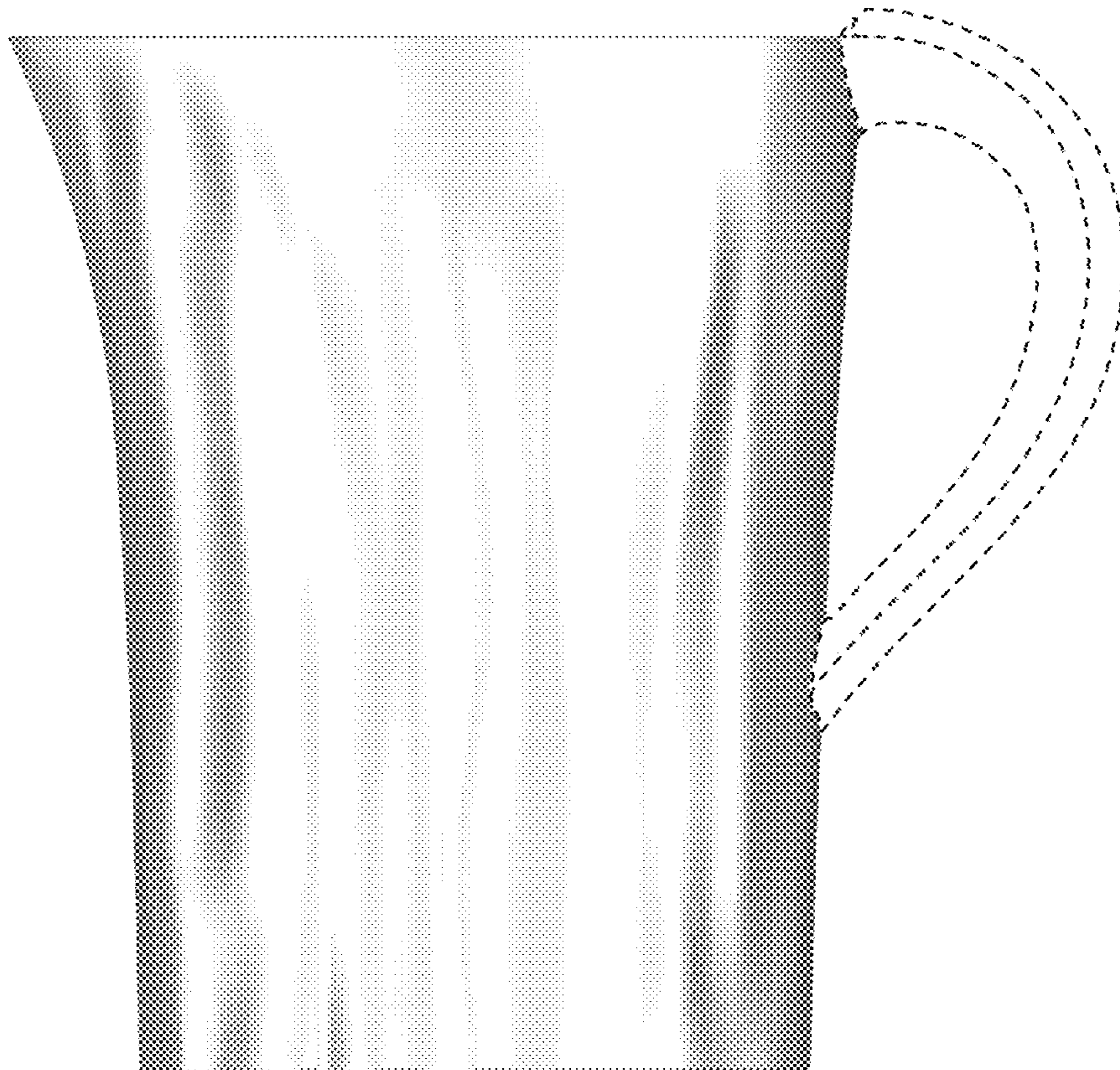


FIG. 6

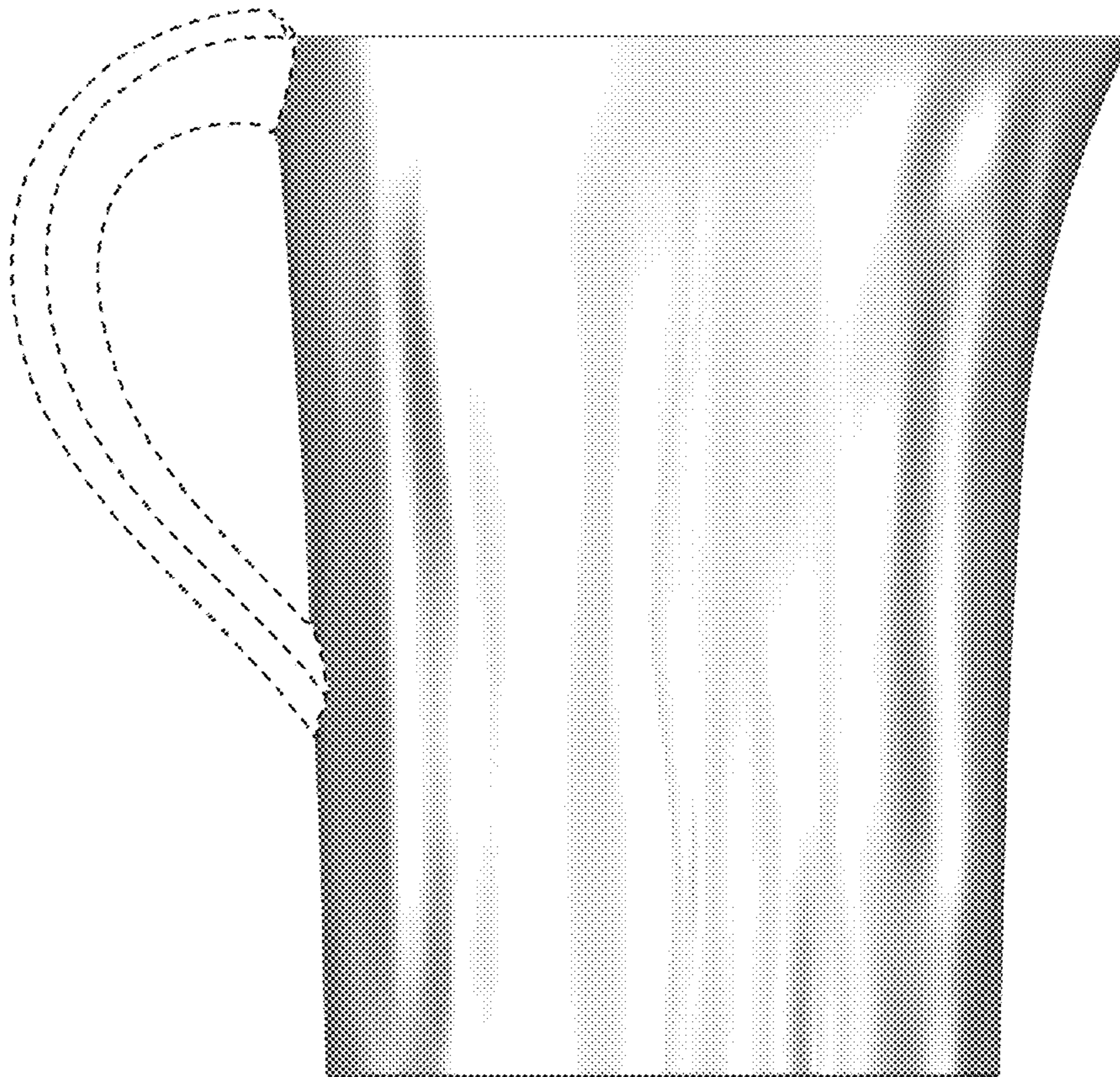


FIG. 7

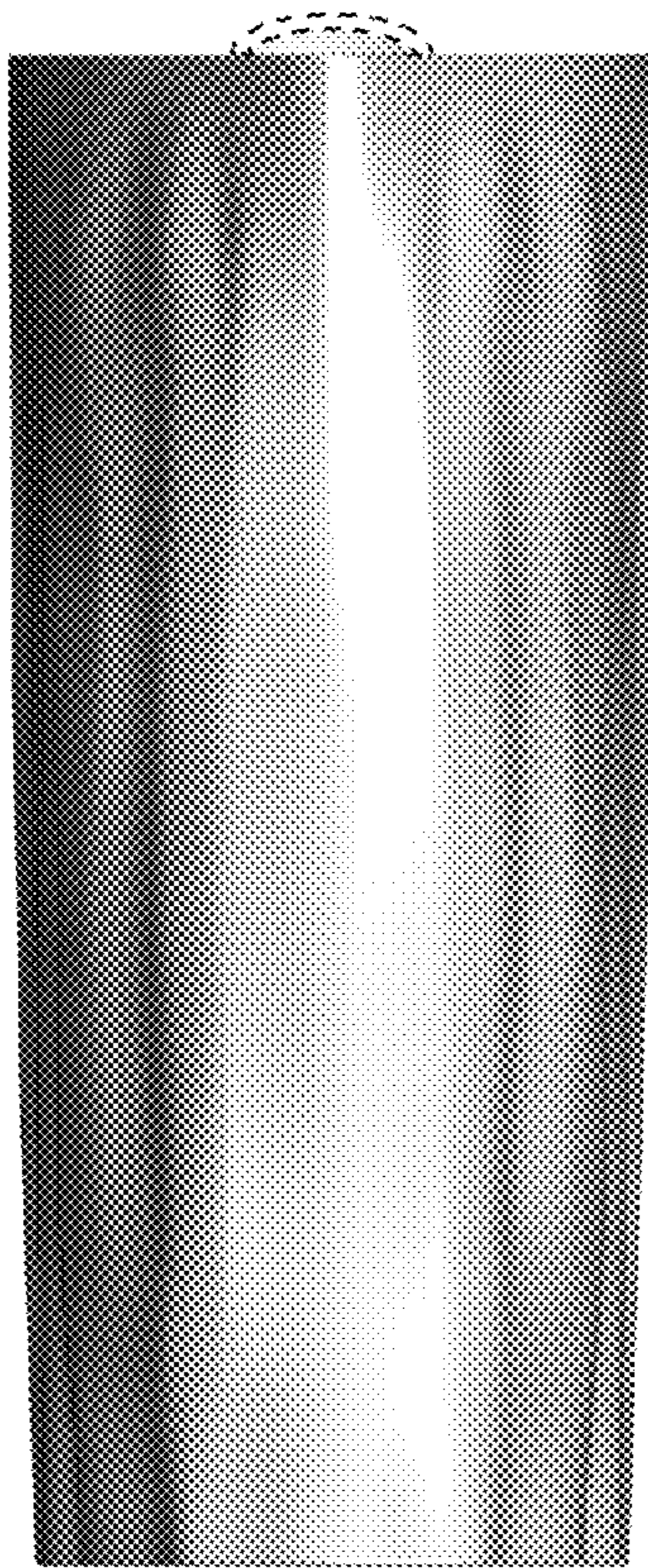


FIG. 8

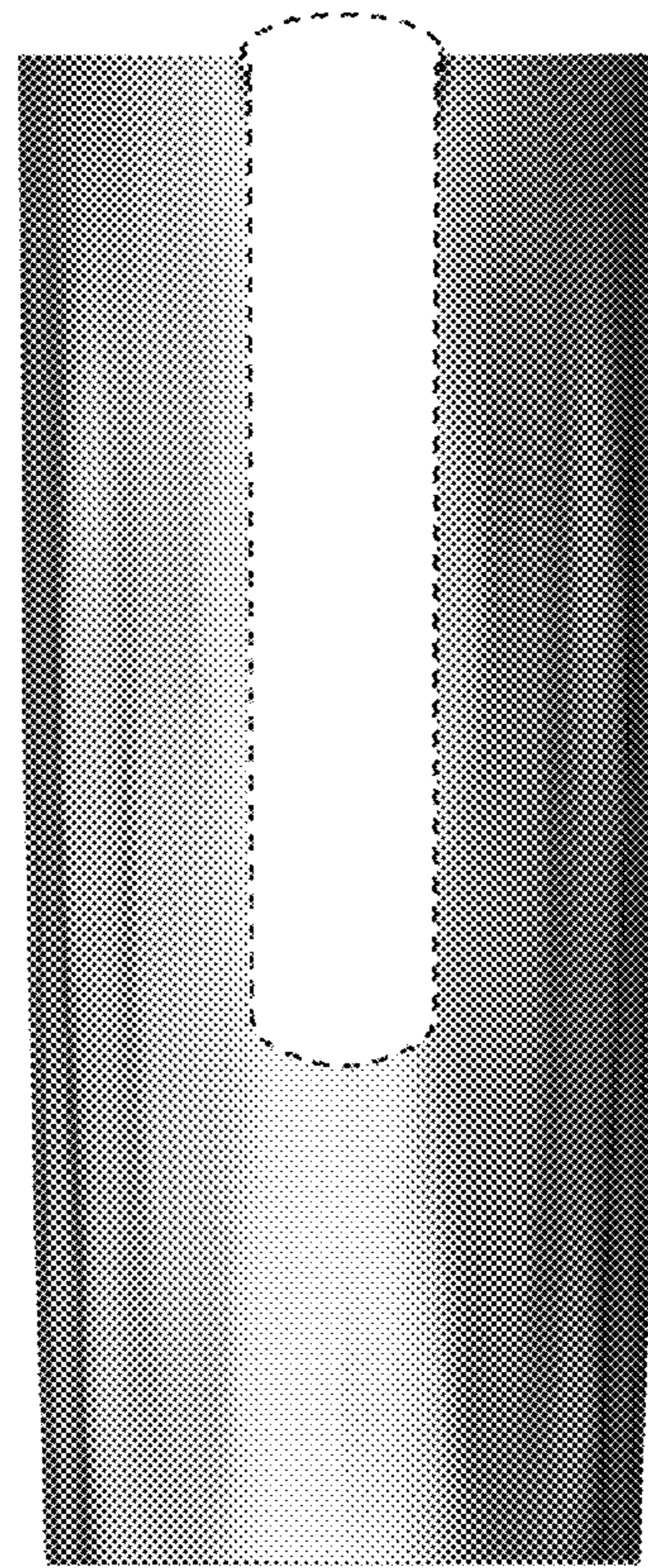


FIG. 9

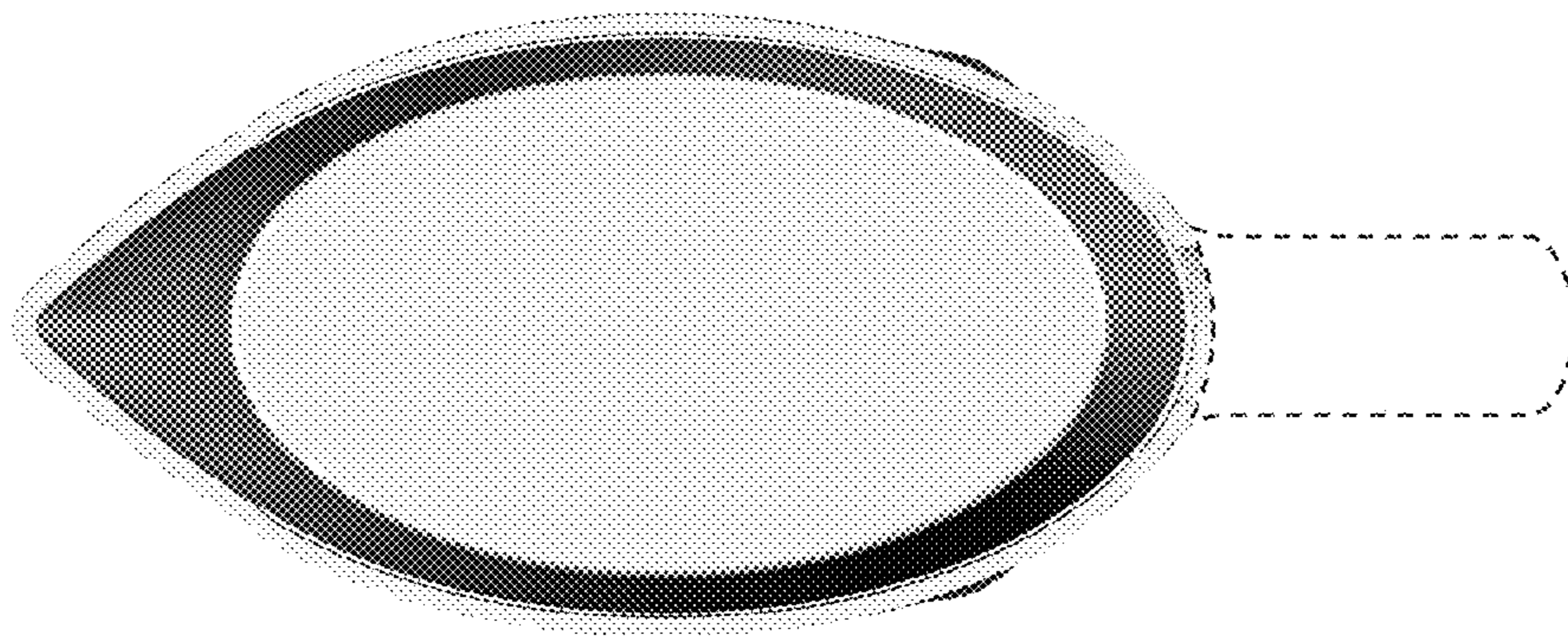


FIG. 10

