



US00D739492S

(12) **United States Design Patent**
Brackett, Sr.

(10) **Patent No.:** **US D739,492 S**

(45) **Date of Patent:** **** Sep. 22, 2015**

(54) **FISHING FLOAT**

3,672,087 A * 6/1972 Milburn, Jr. 43/44.88

(71) Applicant: **Jerk-It, LLC**, Bokoshe, OK (US)

* cited by examiner

(72) Inventor: **Paul E. Brackett, Sr.**, Van Buren, AR (US)

Primary Examiner — Catheri Oliver-Garcia

(74) *Attorney, Agent, or Firm* — Head, Johnson & Kachigian, P.C.

(73) Assignee: **Jerk It, LLC**, Bokoshe, OK (US)

(57) **CLAIM**

The ornamental design for a fishing float, as shown and described.

(**) Term: **14 Years**

(21) Appl. No.: **29/489,732**

DESCRIPTION

(22) Filed: **May 2, 2014**

(51) **LOC (10) Cl.** **22-05**

(52) **U.S. Cl.**

USPC **D22/146**

(58) **Field of Classification Search**

USPC D22/145–146, 199; 43/4.5, 17.5, 43.11, 43/44.88, 44.91, 44.92, 44.95; D9/644, D9/655, 657

See application file for complete search history.

FIG. 1 is a top perspective view of a fishing float showing the design;

FIG. 2 is a bottom perspective view thereof;

FIG. 3 is a top plan view thereof;

FIG. 4 is side elevational view of FIG. 1, the opposite side, left and right side elevational views being mirror images thereof;

FIG. 5 is a bottom plan view of FIG. 1; and,

FIG. 6 is a cross-sectional view along line 6-6 of the fishing float shown in FIG. 5.

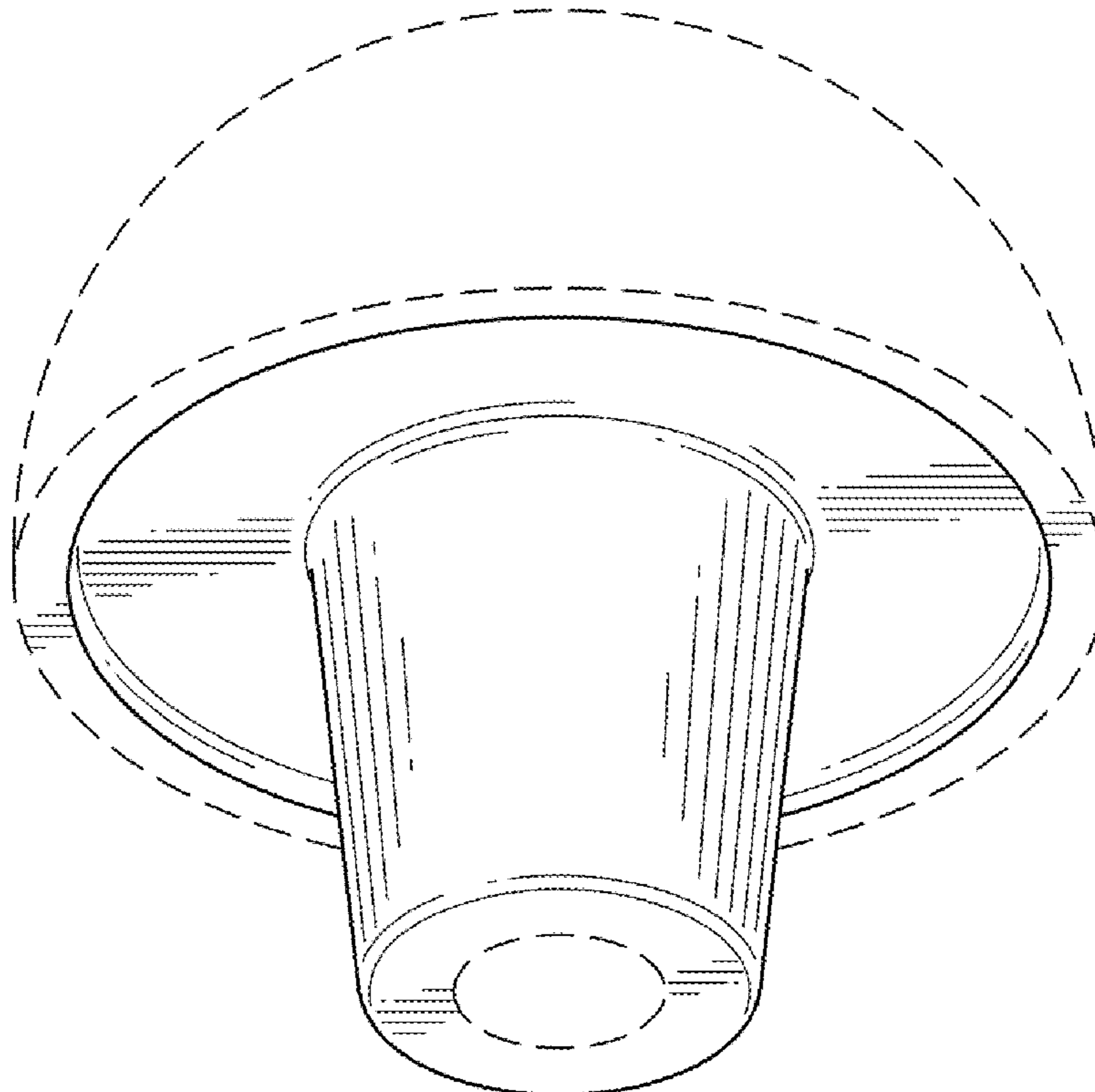
The ornamental design which is claimed is shown in solid lines in the drawings. The broken lines of the drawings are for illustrative purposes only and form no part of the claimed design.

(56) **References Cited**

U.S. PATENT DOCUMENTS

3,255,549 A * 6/1966 Riley 43/43.11

1 Claim, 3 Drawing Sheets



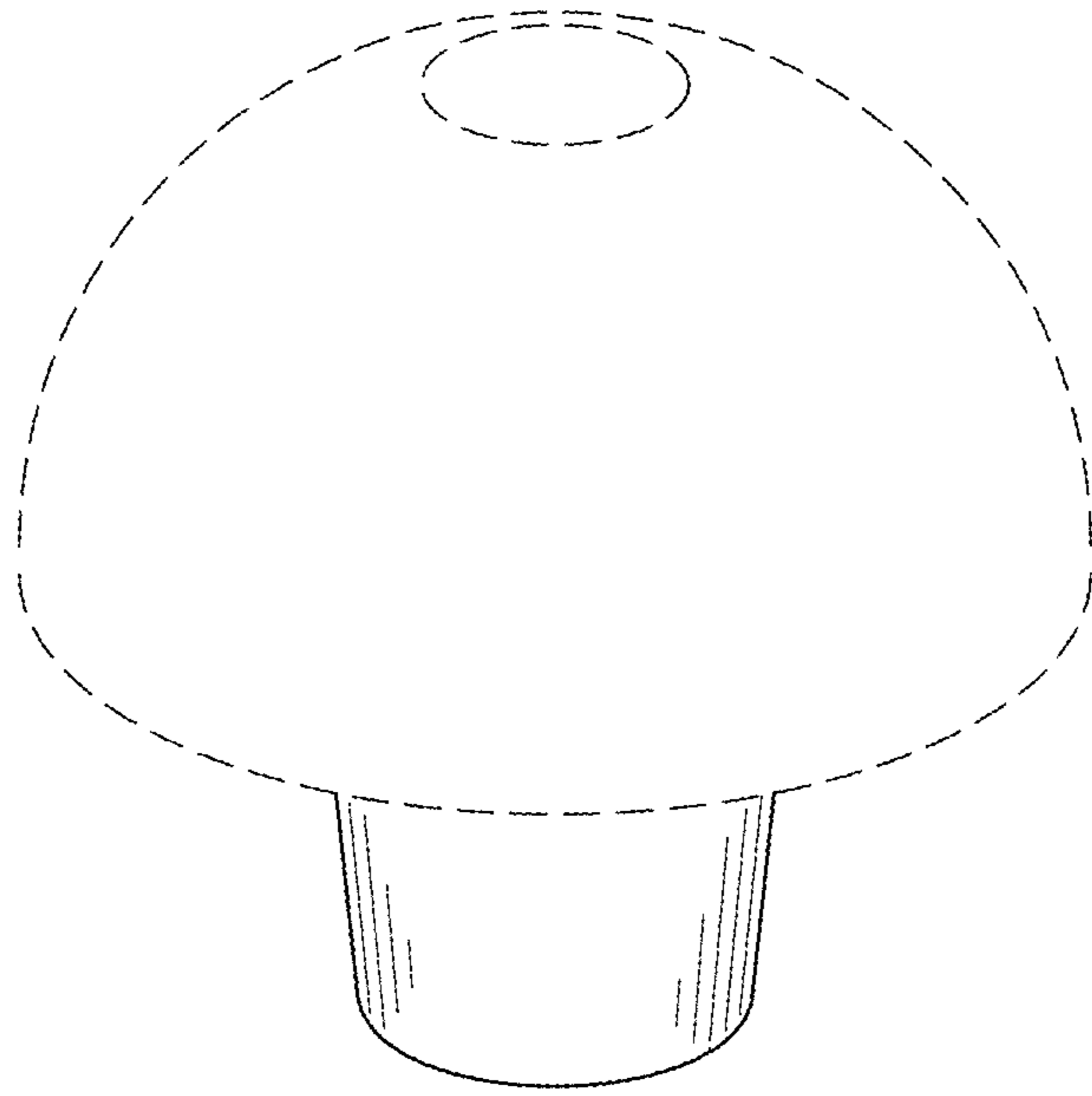


FIG. 1

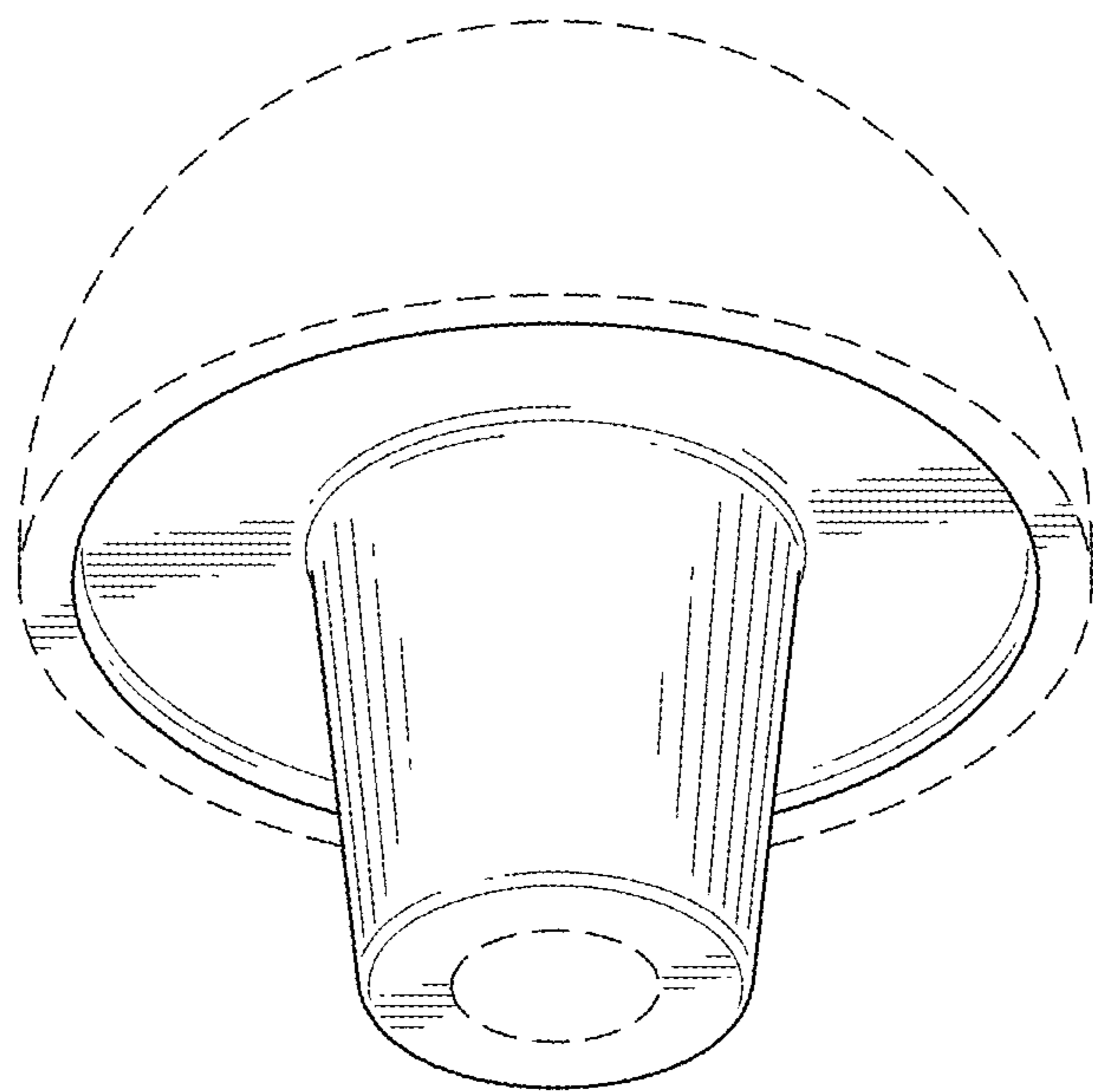


FIG. 2

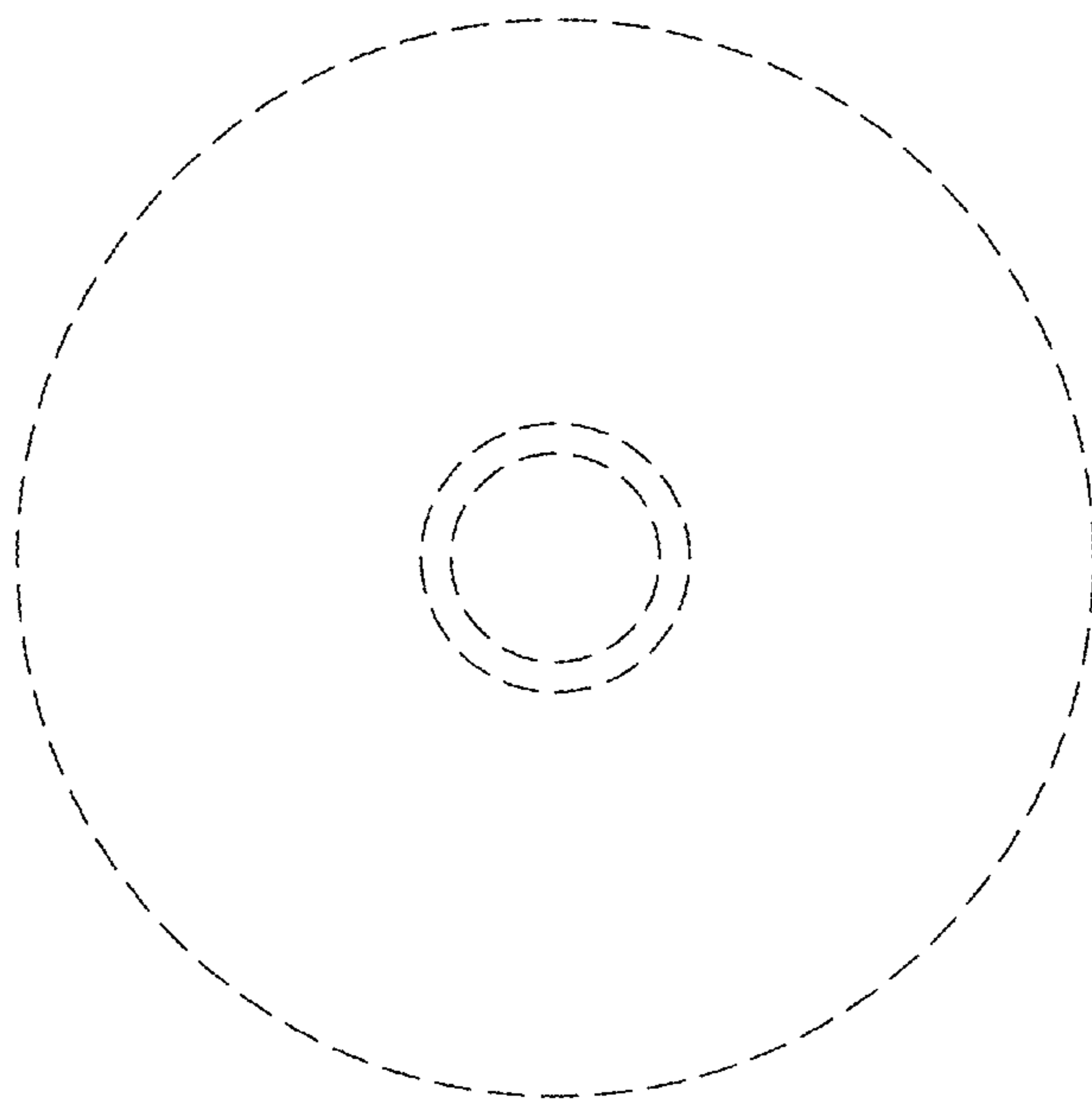


FIG. 3

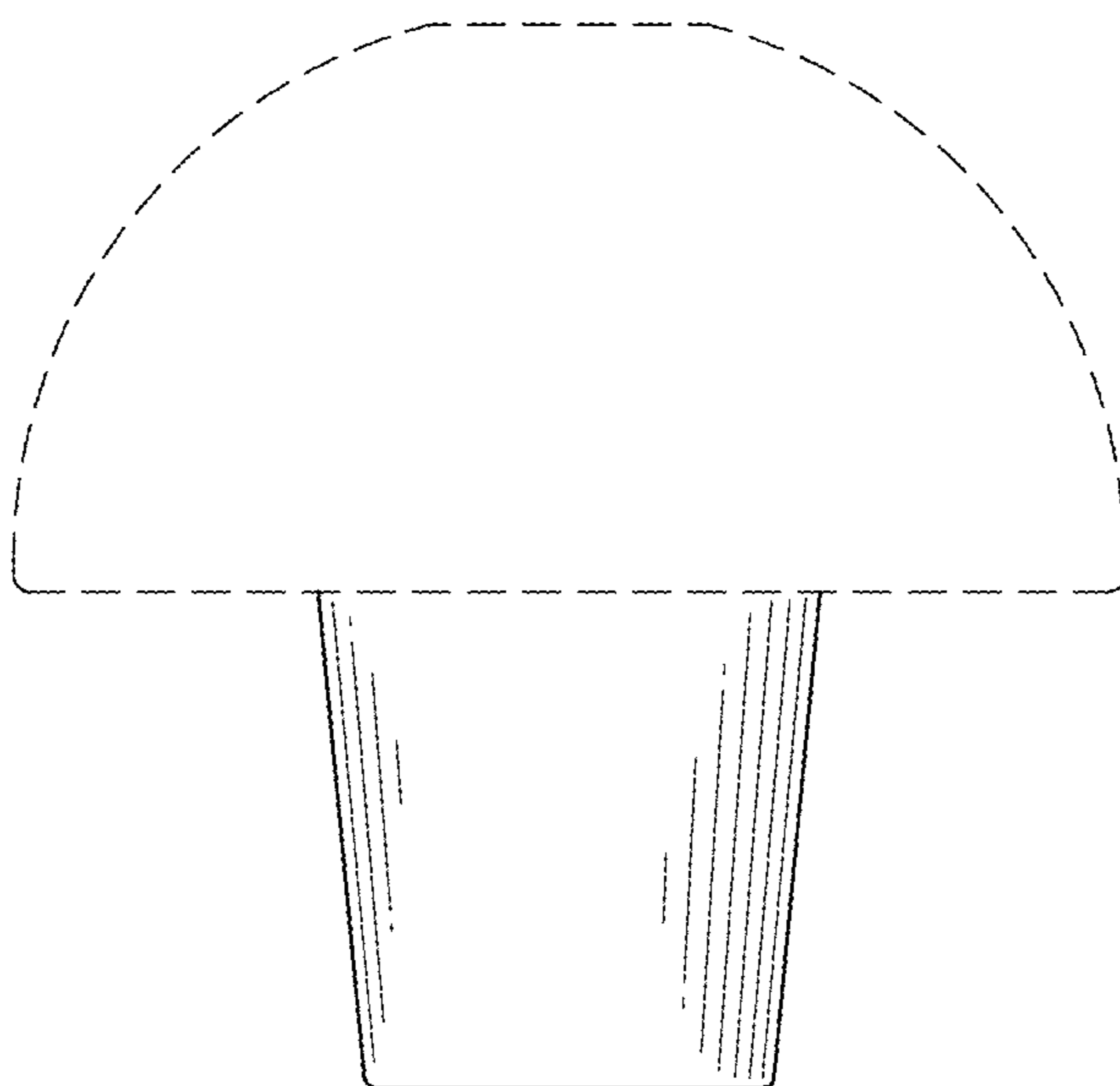


FIG. 4

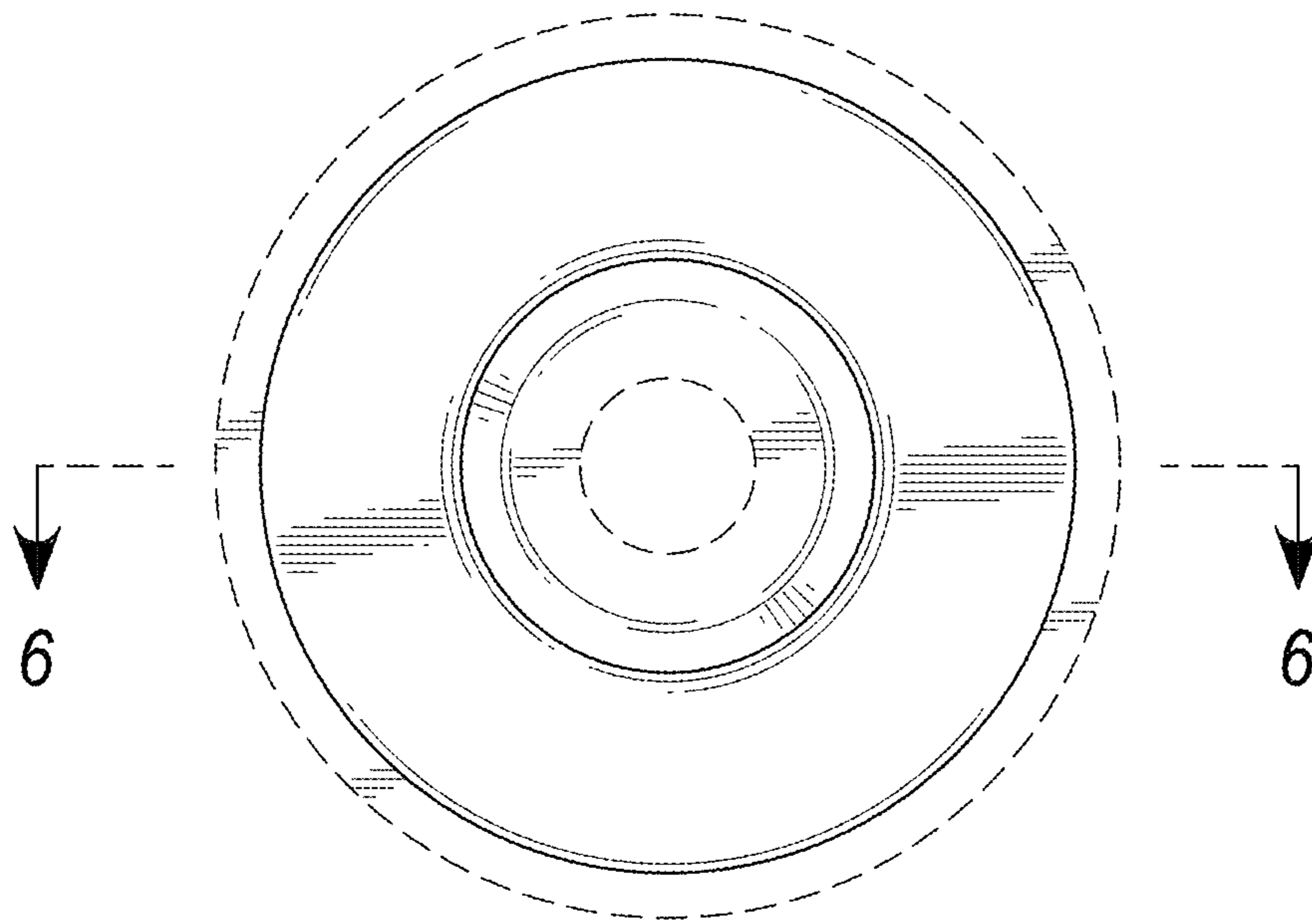


FIG. 5

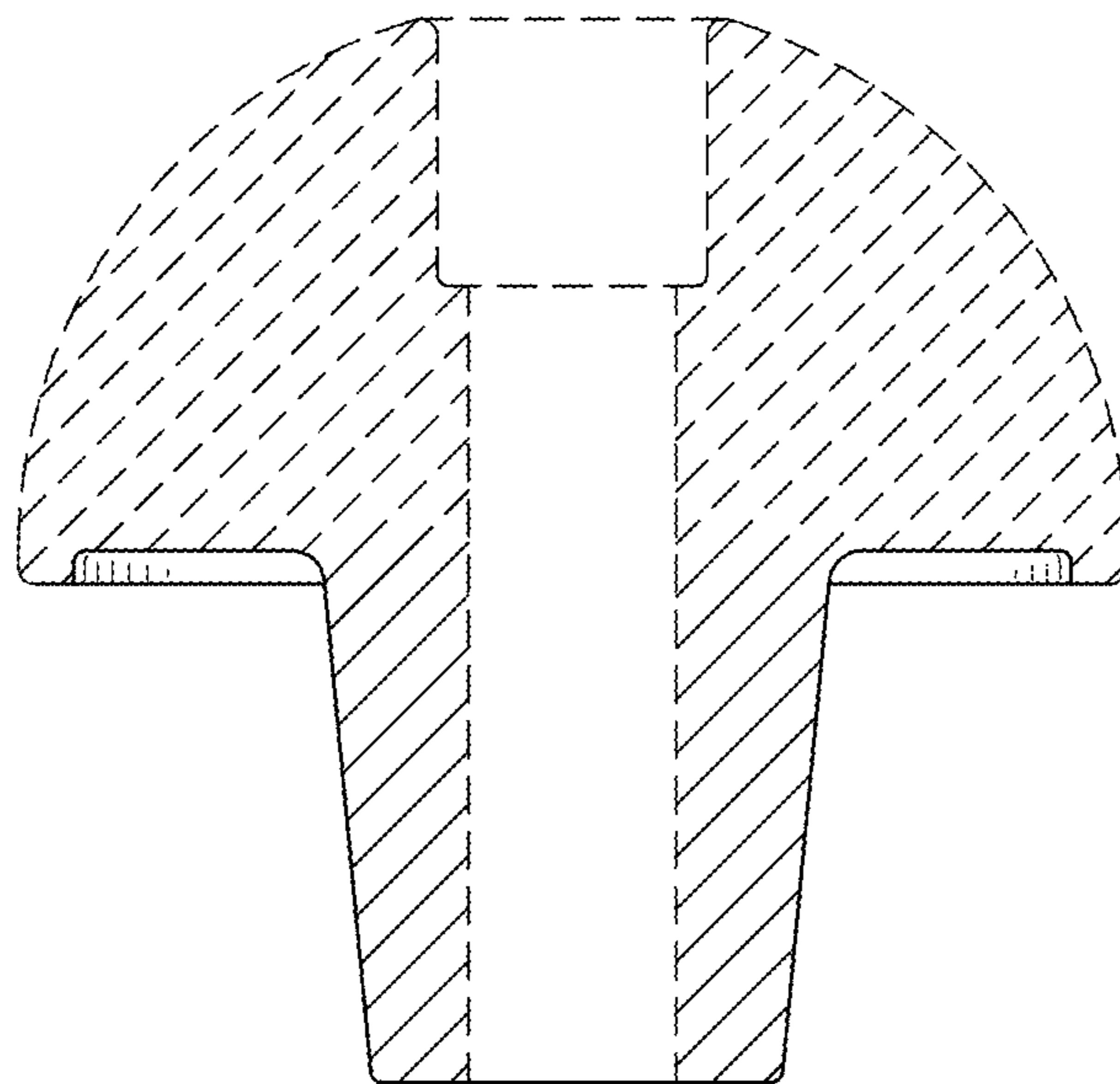


FIG. 6