



US00D739489S

(12) **United States Design Patent**
DeGoma

(10) **Patent No.:** **US D739,489 S**

(45) **Date of Patent:** **** Sep. 22, 2015**

(54) **FIREARM**

(71) Applicant: **Joel C. DeGoma**, Vonore, TN (US)

(72) Inventor: **Joel C. DeGoma**, Vonore, TN (US)

(**) Term: **14 Years**

(21) Appl. No.: **29/485,404**

(22) Filed: **Mar. 19, 2014**

(51) **LOC (10) Cl.** **22-01**

(52) **U.S. Cl.**

USPC **D22/103**; D22/108

(58) **Field of Classification Search**

USPC D22/103, 108; D21/572-575; 42/51,
42/71.01, 75.01, 75.02, 90, 94, 134, 136,
42/139, 125, 72, 111; 89/40.06, 41.19,
89/37.04, 33.04, 191.01, 200-204;
124/67, 66, 72, 74

CPC F41C 7/00; F41C 7/11; F41C 7/12
See application file for complete search history.

(56) **References Cited**

U.S. PATENT DOCUMENTS

4,651,455 A * 3/1987 Geiser, Jr. 42/18
D584,373 S * 1/2009 Young D22/103
D610,218 S * 2/2010 Barrett D22/103

D670,782 S * 11/2012 Barrett D22/103
D670,783 S * 11/2012 Barrett D22/103
8,429,844 B2 * 4/2013 Dextraze et al. 42/73
D722,672 S * 2/2015 Juarez D22/108
2011/0314717 A1 * 12/2011 Barrett 42/75.03

* cited by examiner

Primary Examiner — Michael A Pratt

(74) *Attorney, Agent, or Firm* — Luedeka Neely Group, PC

(57) **CLAIM**

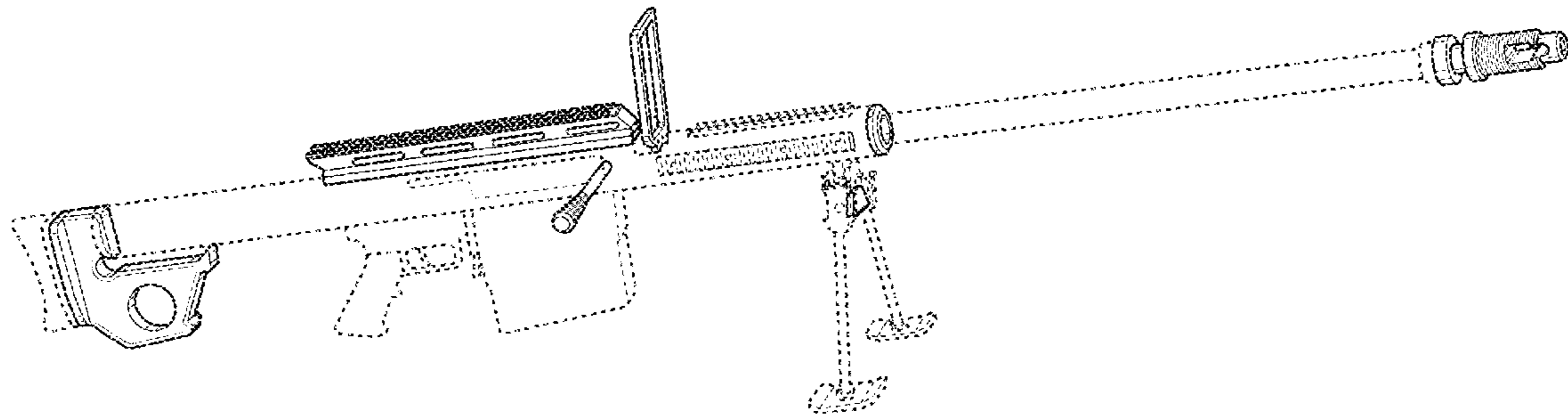
The ornamental design for a firearm, as shown and described.

DESCRIPTION

FIG. 1 is a perspective view of a firearm of my new design;
FIG. 2 is a left side view of the firearm of FIG. 1;
FIG. 3 is a right side view of the firearm of FIG. 1;
FIG. 4 is a top plan view of the firearm of FIG. 1;
FIG. 5 is a bottom plan view of the firearm of FIG. 1
FIG. 6 is a rear end view of the firearm of FIG. 1;
FIG. 7 is a front end view of the firearm of FIG. 1;
FIG. 8 is an enlarged portion of FIG. 1;
FIG. 9 is an enlarged portion of FIG. 1;
FIG. 10 is an enlarged portion of FIG. 1; and,
FIG. 11 is an enlarged portion of FIG. 1.

The broken lines in the drawings are included for the purpose of illustrating unclaimed environment and form no part of the claimed design.

1 Claim, 7 Drawing Sheets



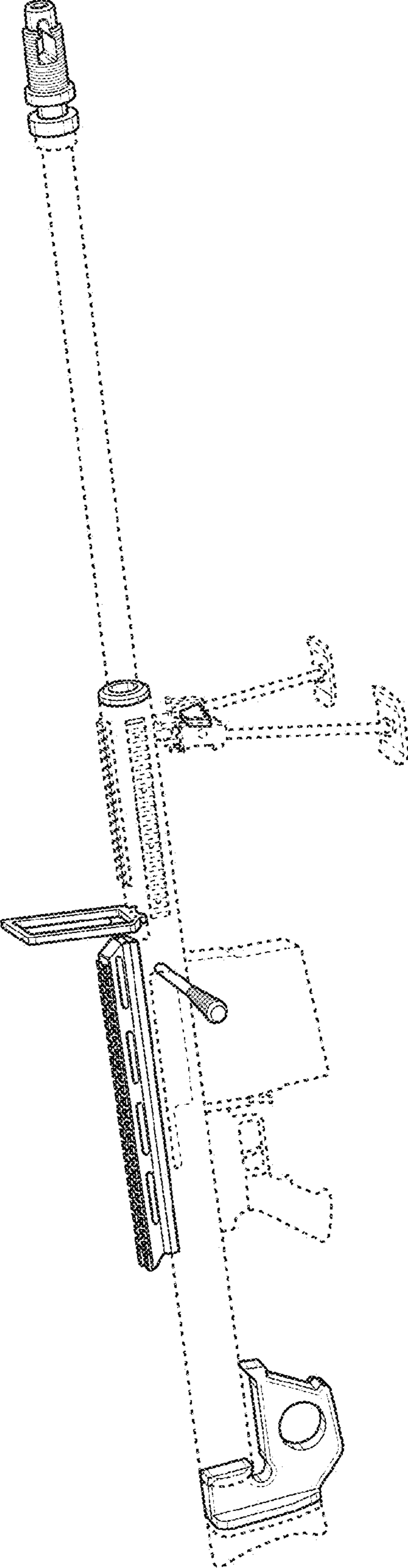


FIG. 1

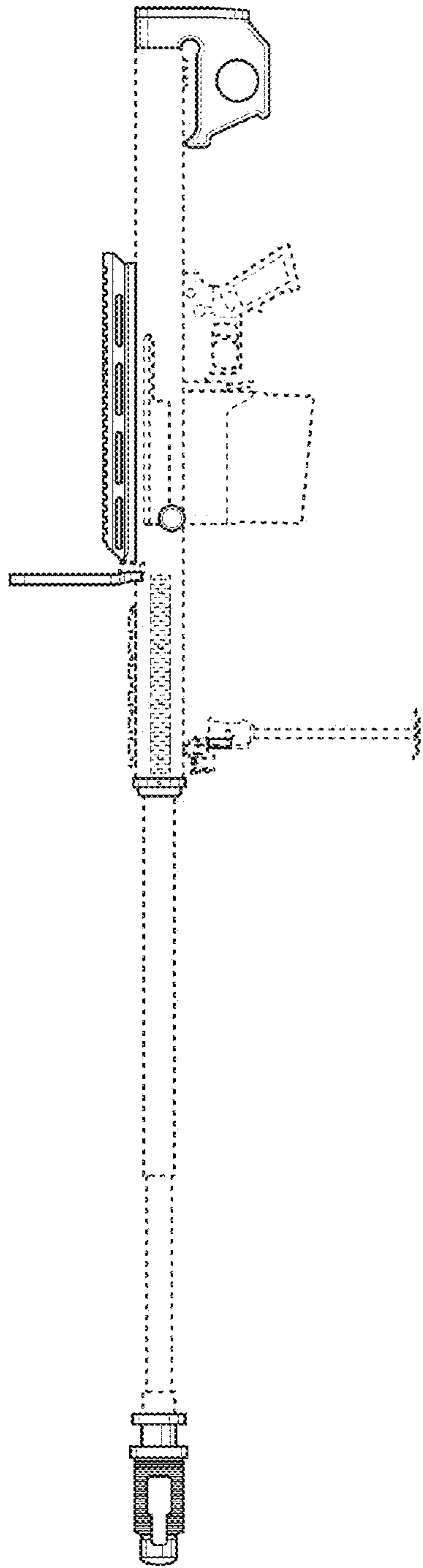


FIG. 2

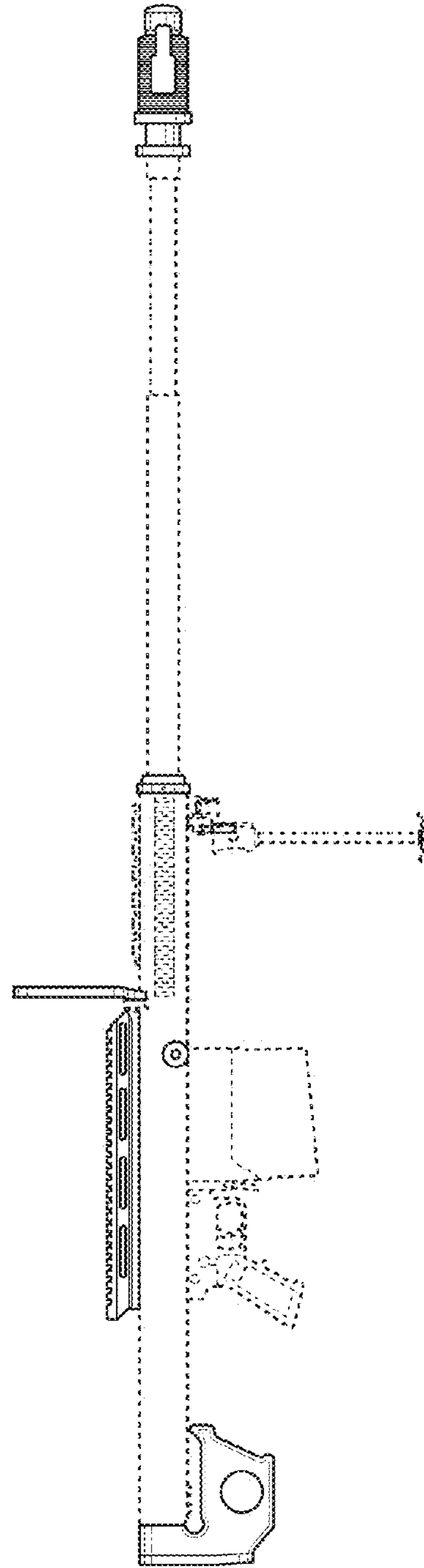


FIG. 3

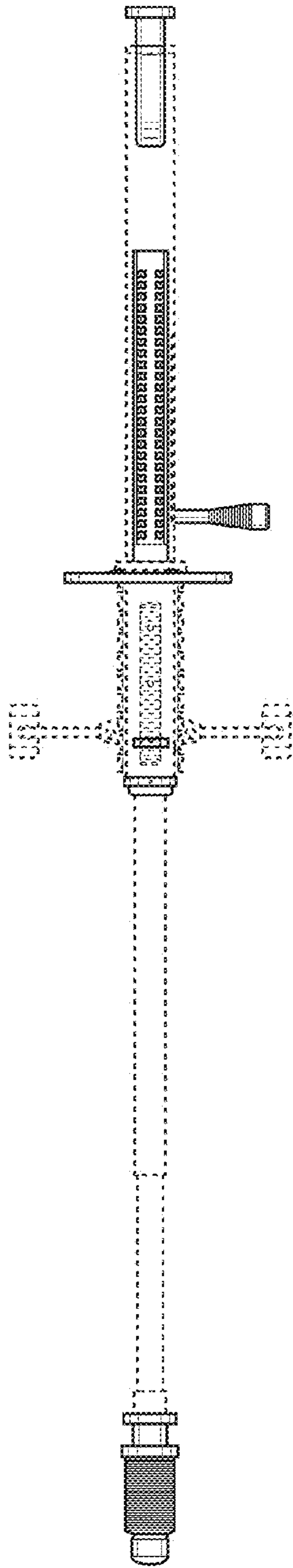


FIG. 4

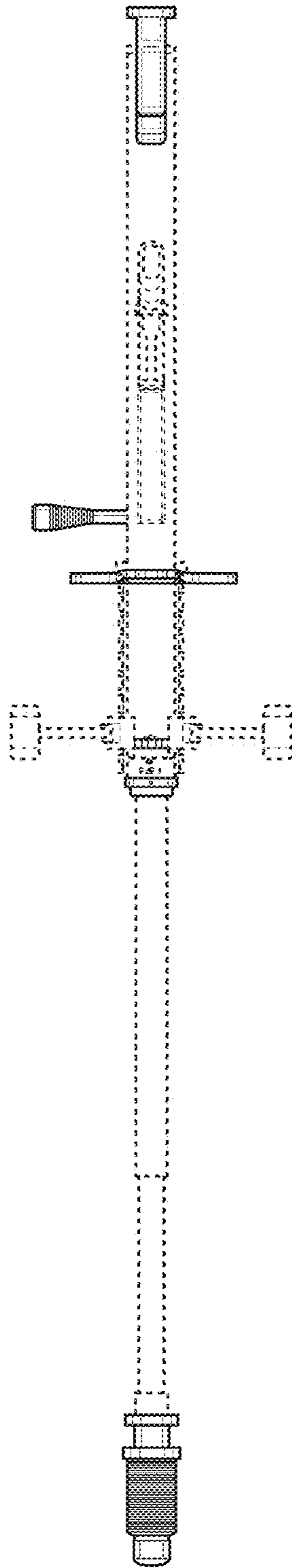


FIG. 5

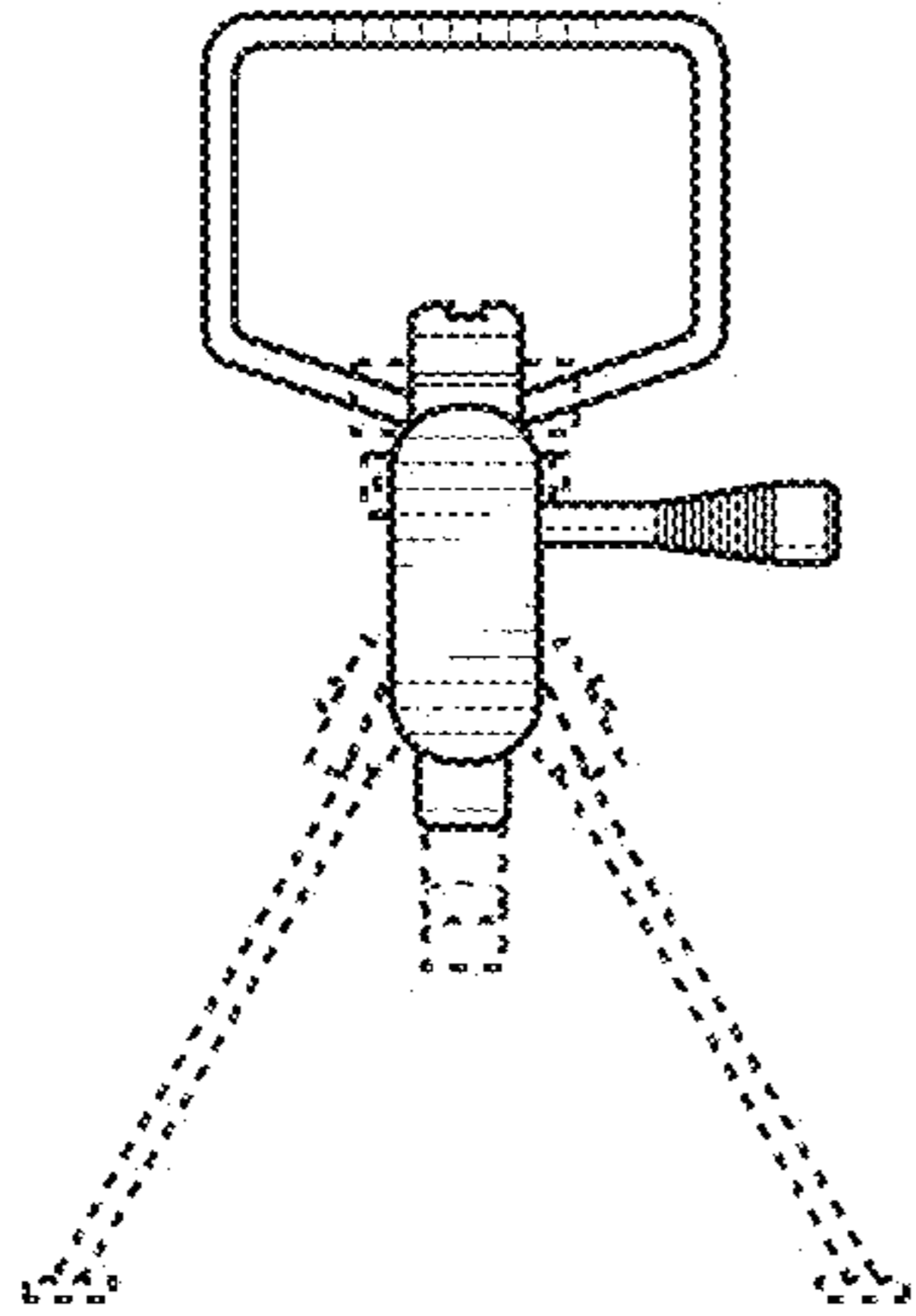


FIG. 6

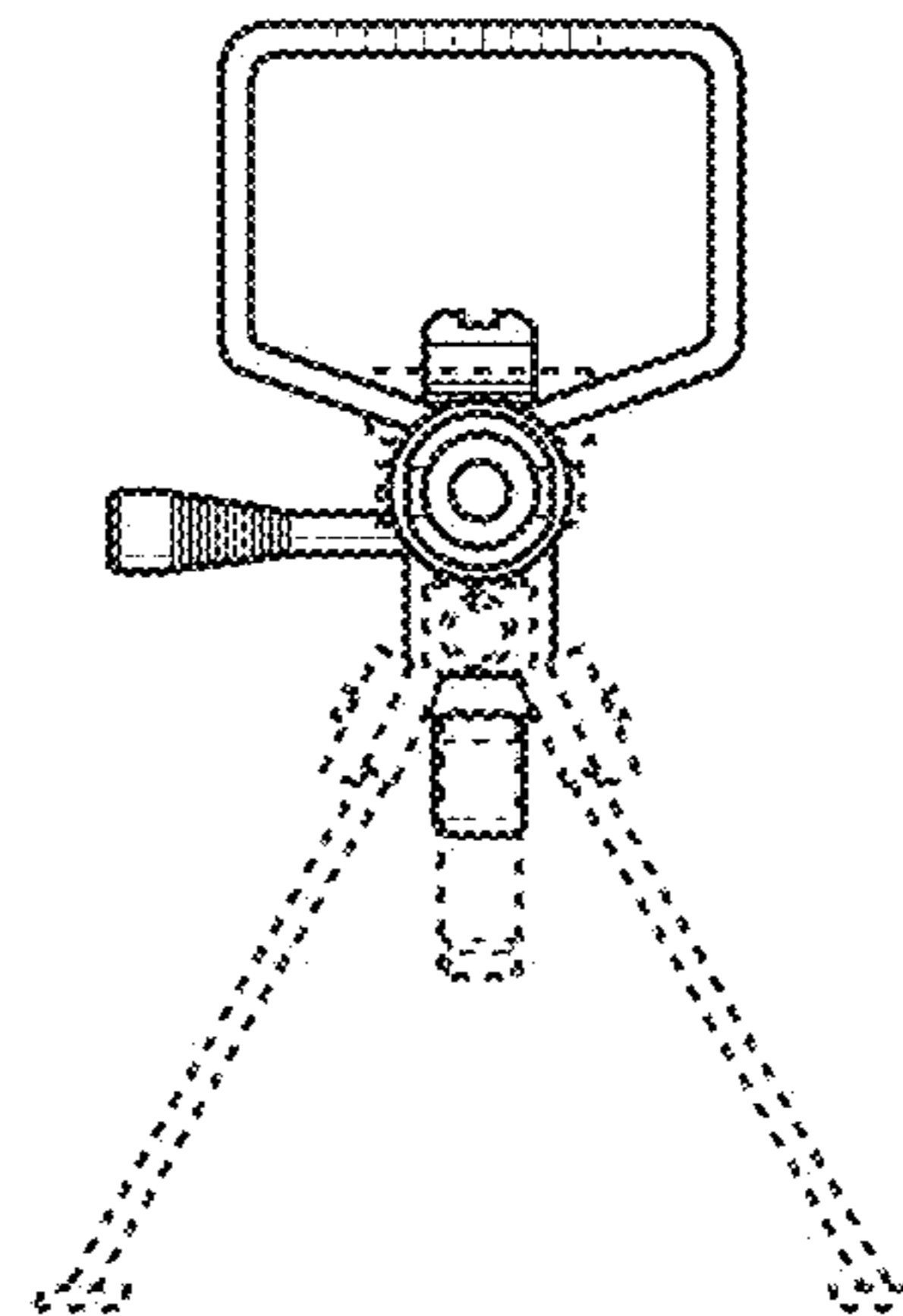


FIG. 7

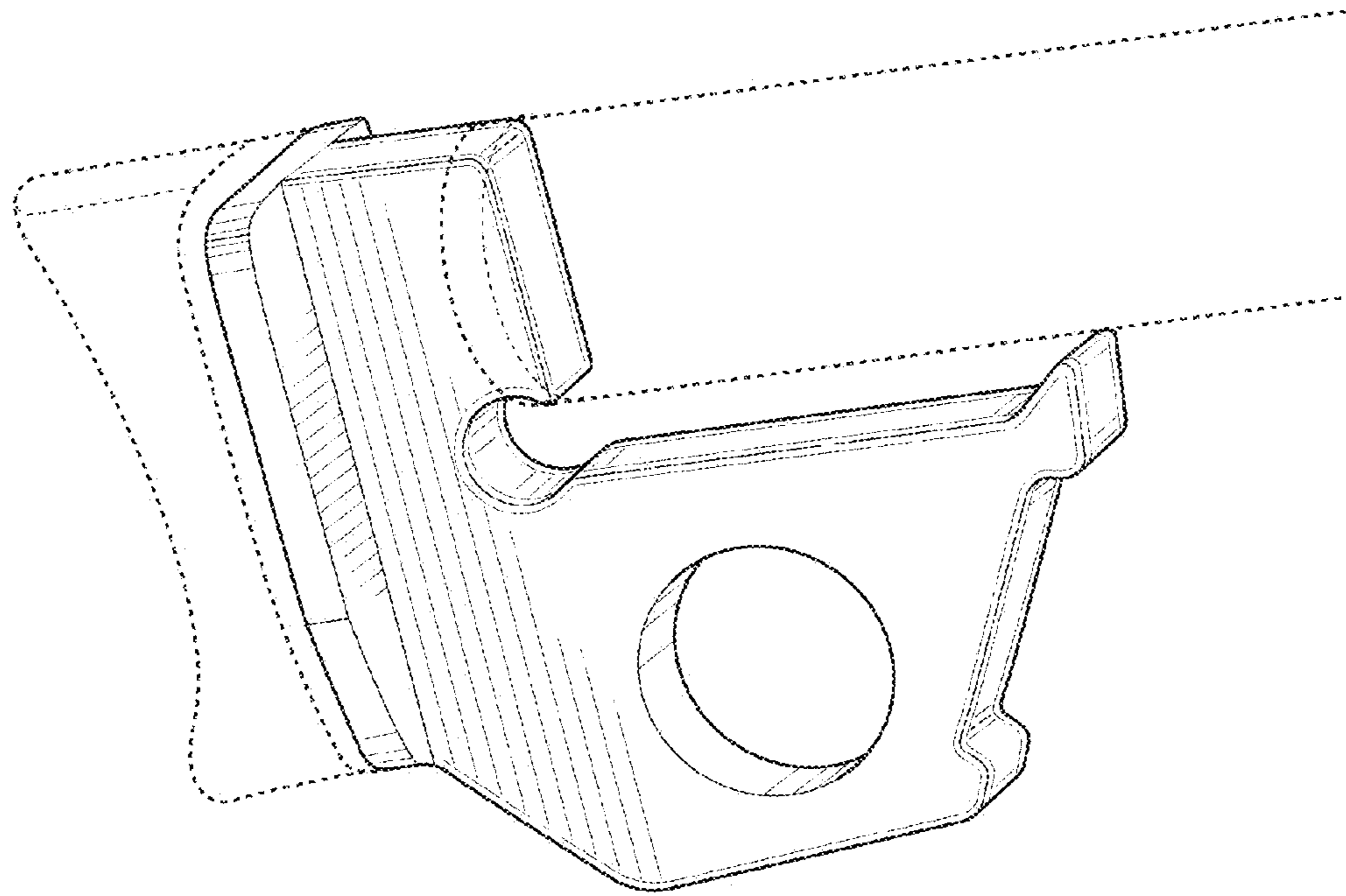


FIG. 8

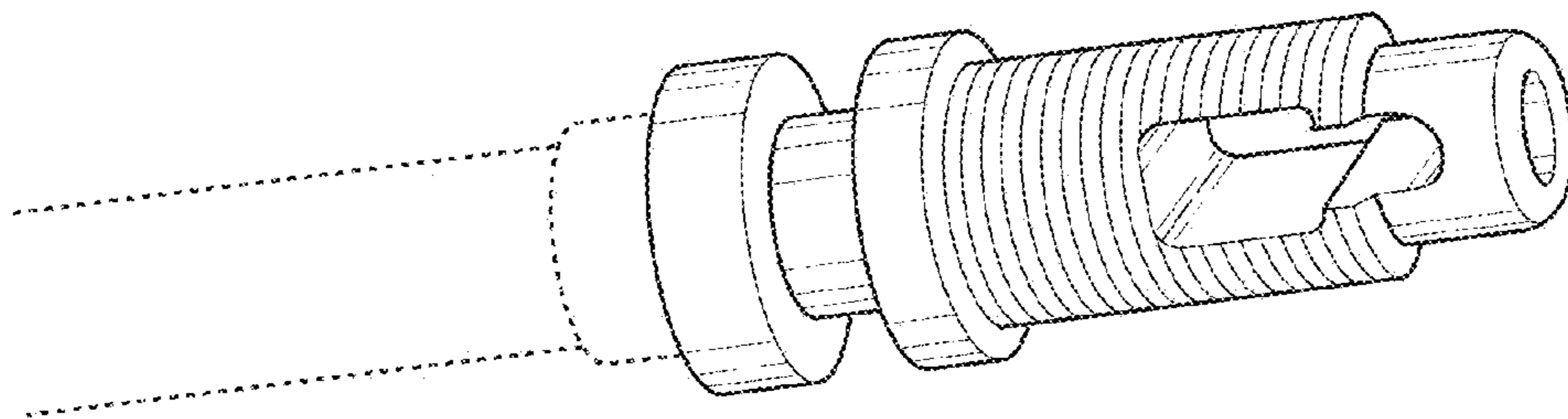


FIG. 9

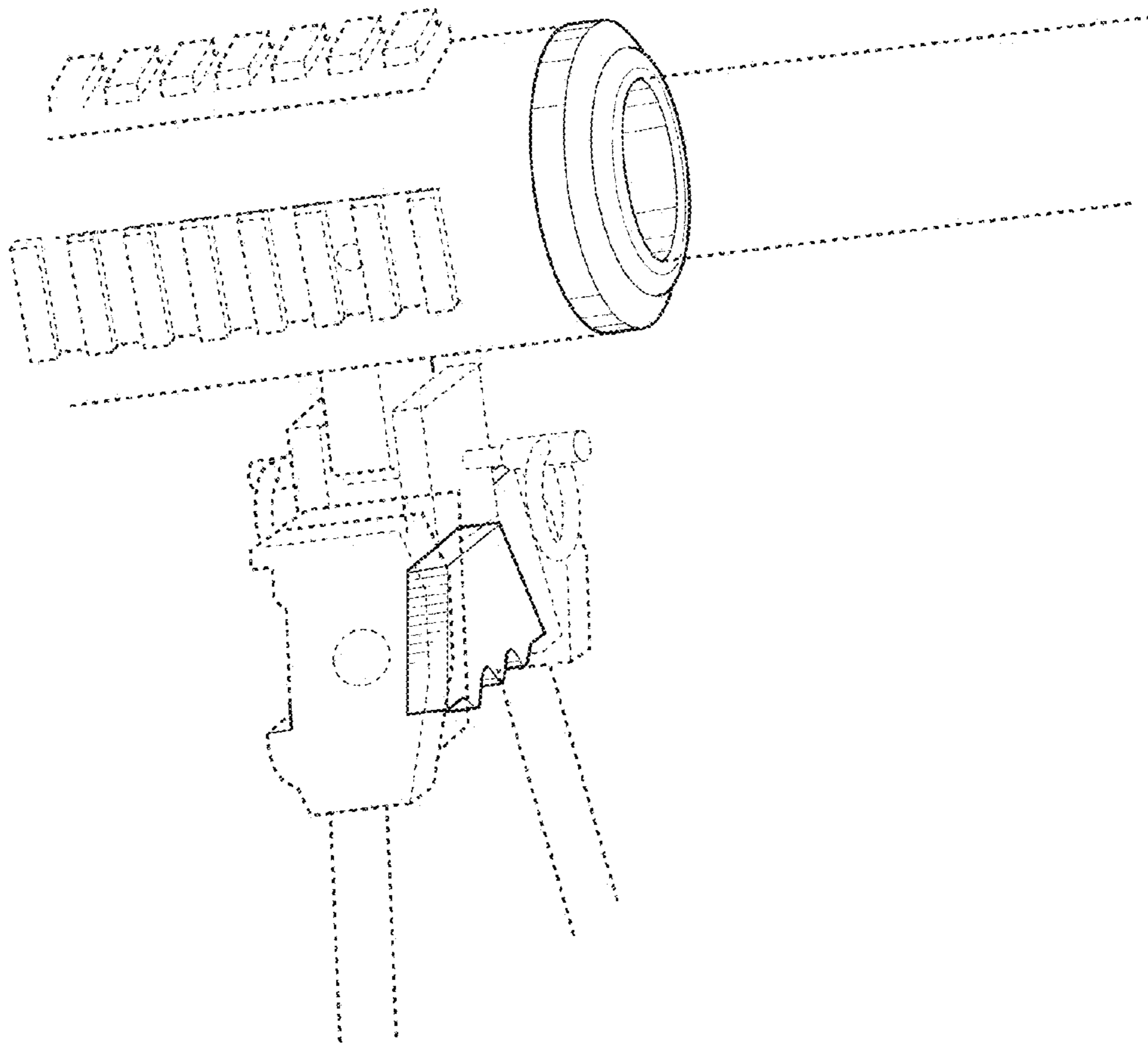


FIG. 10

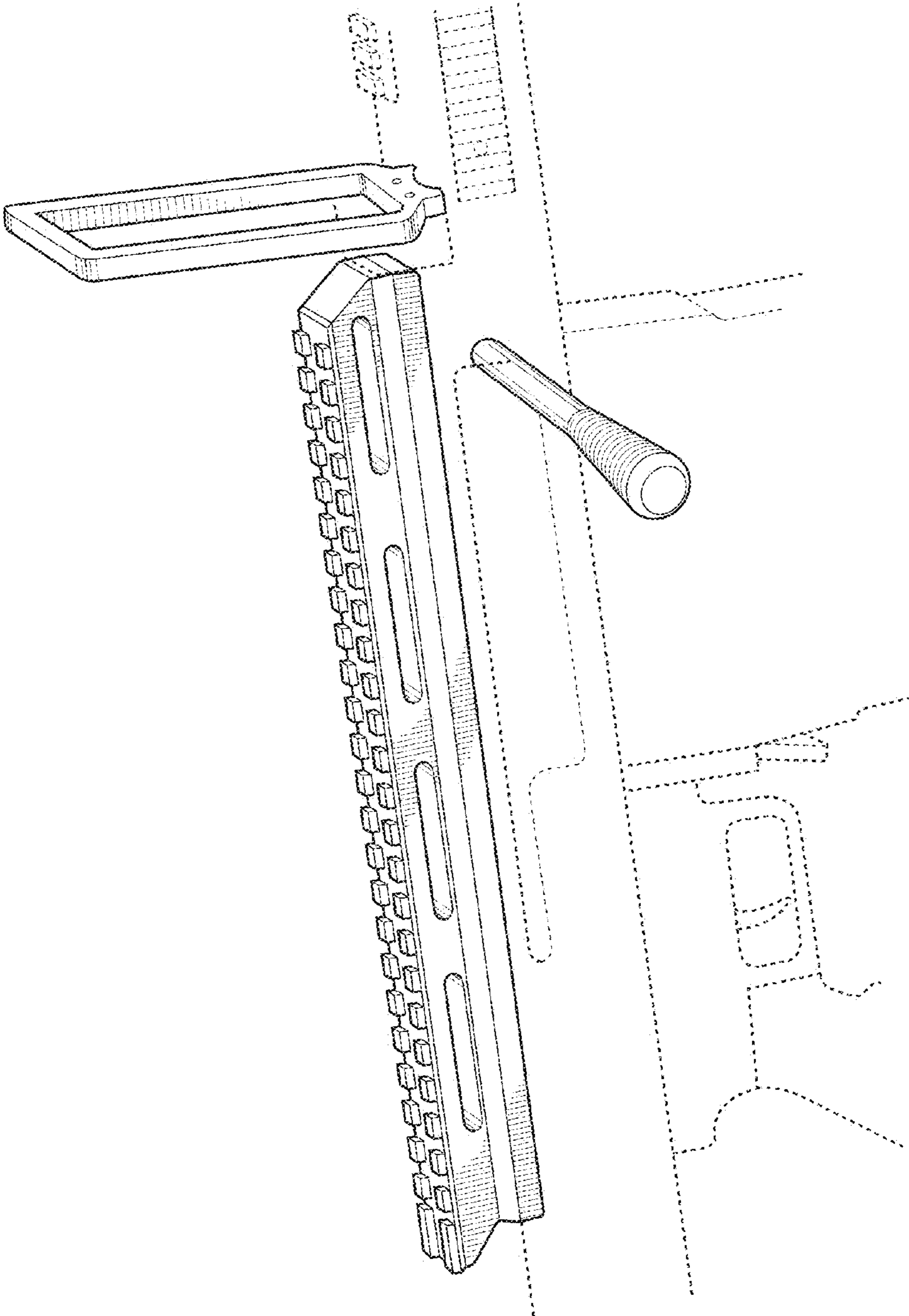


FIG. 11