



US00D739488S

(12) **United States Design Patent**
Campbell et al.

(10) **Patent No.:** **US D739,488 S**
(45) **Date of Patent:** **** Sep. 22, 2015**

(54) **VOLLEYBALL TRAINING PLATFORM**

(71) Applicant: **Airborne Athletics, Inc.**, Burnsville, MN (US)

(72) Inventors: **Douglas Brad Campbell**, Loretto, MN (US); **Jeffrey Jon Campbell**, Lonsdale, MN (US); **Adam Pan**, Lonsdale, MN (US)

(73) Assignee: **Airborne Athletics, Inc.**, Burnsville, MN (US)

(**) Term: **14 Years**

(21) Appl. No.: **29/489,538**

(22) Filed: **Apr. 30, 2014**

(51) **LOC (10) Cl.** **21-02**

(52) **U.S. Cl.**
USPC **D21/799.1**; D21/799.2; D21/698

(58) **Field of Classification Search**
USPC D21/397, 698, 699, 705, 706, 799.1, D21/799.2; D6/656, 672, 673, 675, 675.5, D6/681, 686, 688.1, 691, 691.1, 691.6, D6/708.16, 708.25, 709.2, 711, 718.3
CPC A63B 67/04; A63B 67/045; A63B 69/00; A63B 69/0095; A63B 69/0097; A63B 71/0036; A63B 71/0045; A63B 71/04; A63B 2243/0091; A63B 2243/0095; A47B 25/00; A47B 25/003; A47B 2025/006; A47B 3/00; A47B 3/08; A47B 3/0815; A47B 3/0818; A47B 3/0827; A47B 3/083; A47B 3/087; A47B 3/091; A47B 3/0911; A47B 3/0912; A47B 3/0913; A47B 3/0915; A47B 3/0916; A47B 3/10

See application file for complete search history.

(56) **References Cited**

U.S. PATENT DOCUMENTS

171,145 A * 12/1875 Lambie et al. 108/133
739,862 A * 9/1903 Harrod et al. 190/12 R

2,715,558 A * 8/1955 Bell 108/35
D199,571 S * 11/1964 Ritts D6/430
4,833,998 A * 5/1989 Everett et al. 108/36
4,900,022 A * 2/1990 Maggio 473/475
5,009,170 A * 4/1991 Spehar 108/36
5,394,808 A * 3/1995 Dutro et al. 108/126
D385,129 S * 10/1997 Berlic D6/691.6
5,769,005 A * 6/1998 Haynes 108/116
6,523,485 B1 * 2/2003 Cipolla 108/14
6,659,893 B1 * 12/2003 Campbell et al. 473/459
6,779,466 B2 * 8/2004 Shabram, Jr. 108/35
7,475,642 B2 * 1/2009 Shenghao et al. 108/132
7,921,785 B1 * 4/2011 Shin 108/132
7,998,003 B2 * 8/2011 Orr 473/426
8,062,153 B2 * 11/2011 Boseman 473/496
8,282,511 B2 * 10/2012 Fatherree 473/473

(Continued)

Primary Examiner — Catherine Tuttle

(74) *Attorney, Agent, or Firm* — Kinney & Lange, P.A.

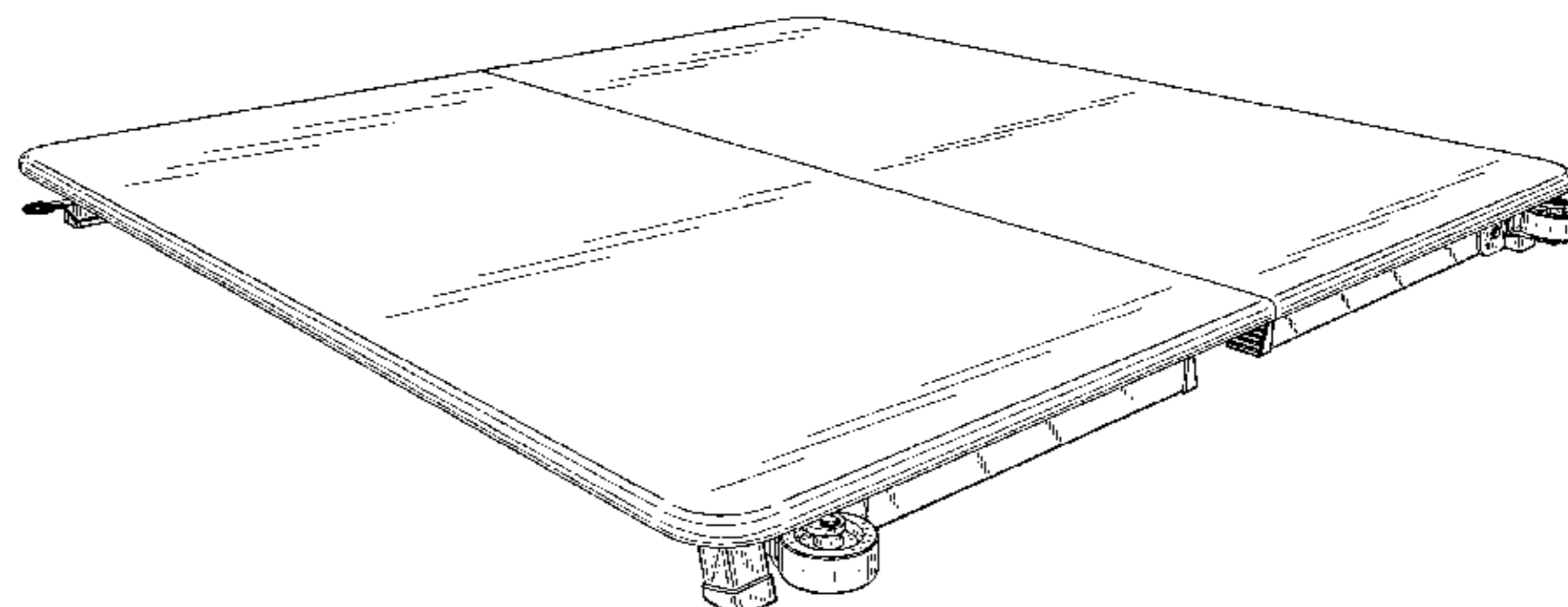
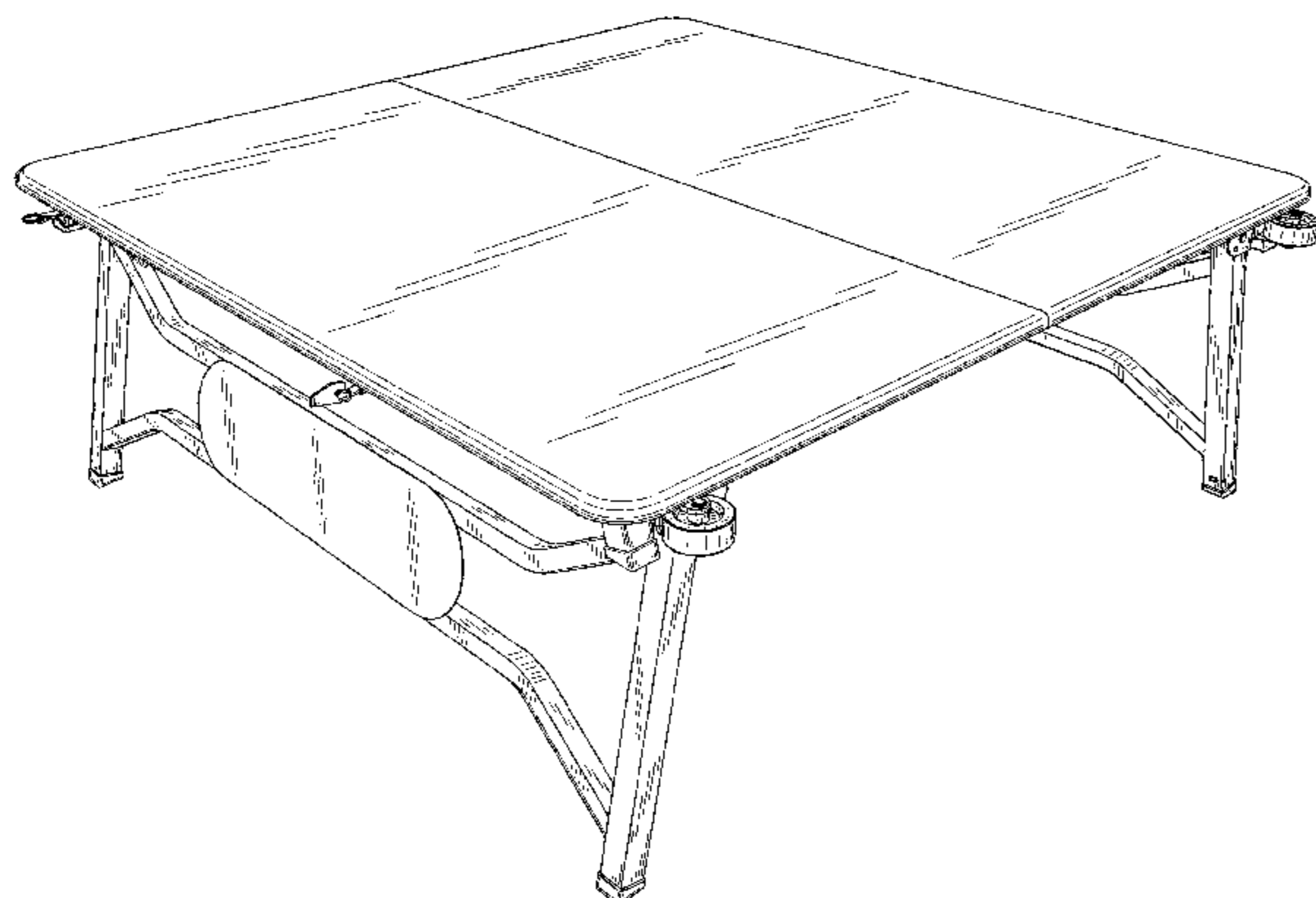
(57) **CLAIM**

The ornamental design for a volleyball training platform, as shown and described.

DESCRIPTION

FIG. 1 is a perspective view of the volleyball training platform showing our new design in its erected position; FIG. 2 is a front elevational view thereof; FIG. 3 is a rear elevational view thereof; FIG. 4 is a left side elevational view thereof; FIG. 5 is a right side elevational view thereof; FIG. 6 is a top plan view thereof; FIG. 7 is a bottom plan view thereof; FIG. 8 is a perspective view of the volleyball training platform showing the design in a collapsed position; FIG. 9 is a front elevational view thereof; FIG. 10 is a rear elevational view thereof; FIG. 11 is a left side elevational view thereof; FIG. 12 is a right side elevational view thereof; FIG. 13 is a top plan view thereof; and, FIG. 14 is a bottom plan view thereof.

1 Claim, 9 Drawing Sheets



US D739,488 S

Page 2

(56)

References Cited

U.S. PATENT DOCUMENTS

			2013/0118388 A1*	5/2013	Zhu	108/127
			2014/0190371 A1*	7/2014	Woog	108/36
			2014/0213393 A1*	7/2014	Chen	473/496
	D714,411 S *	9/2014	Chen		D21/799.2	
	2005/0045074 A1*	3/2005	Jin		108/126	
	2007/0215011 A1*	9/2007	Khan		108/11	

* cited by examiner

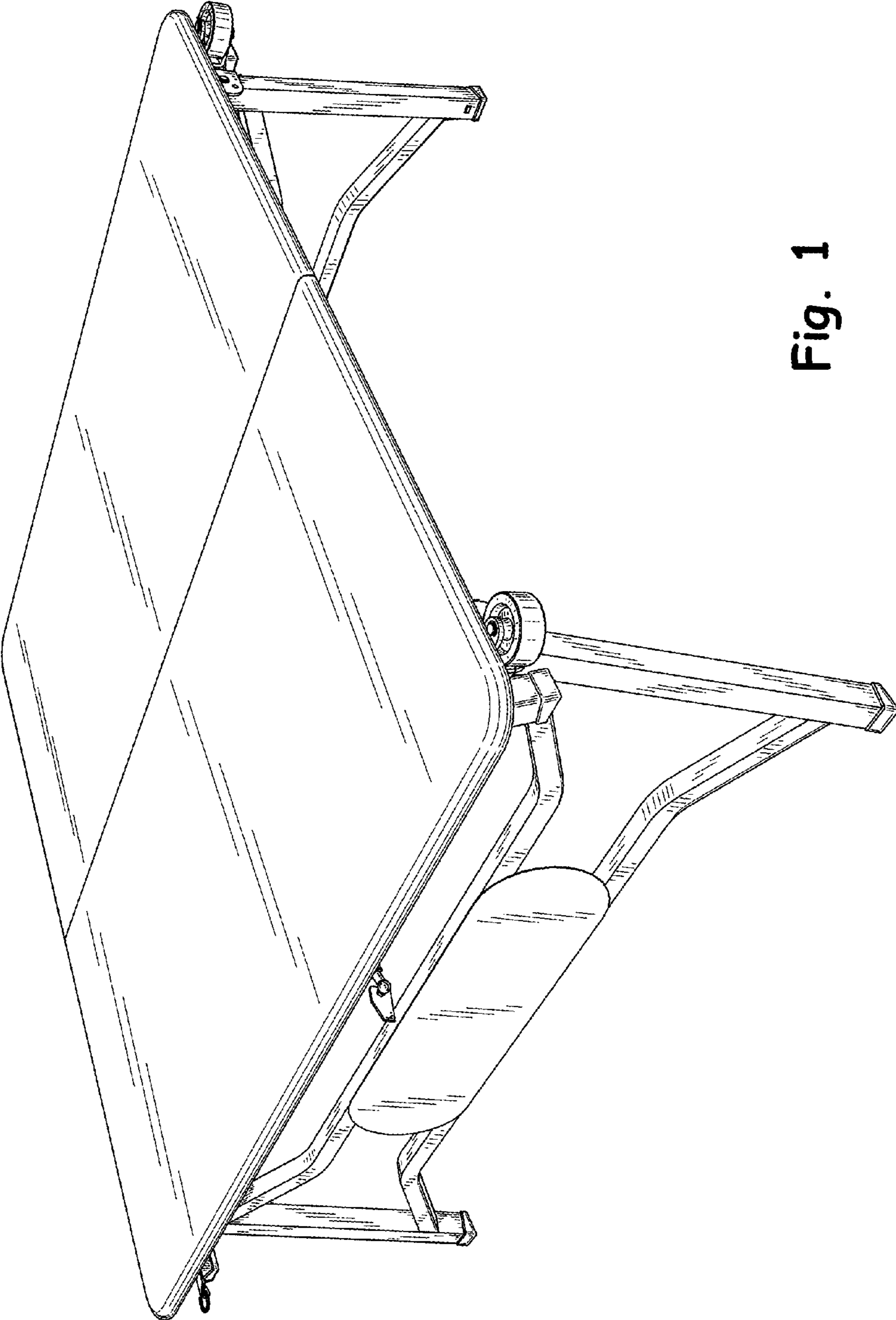


Fig. 1

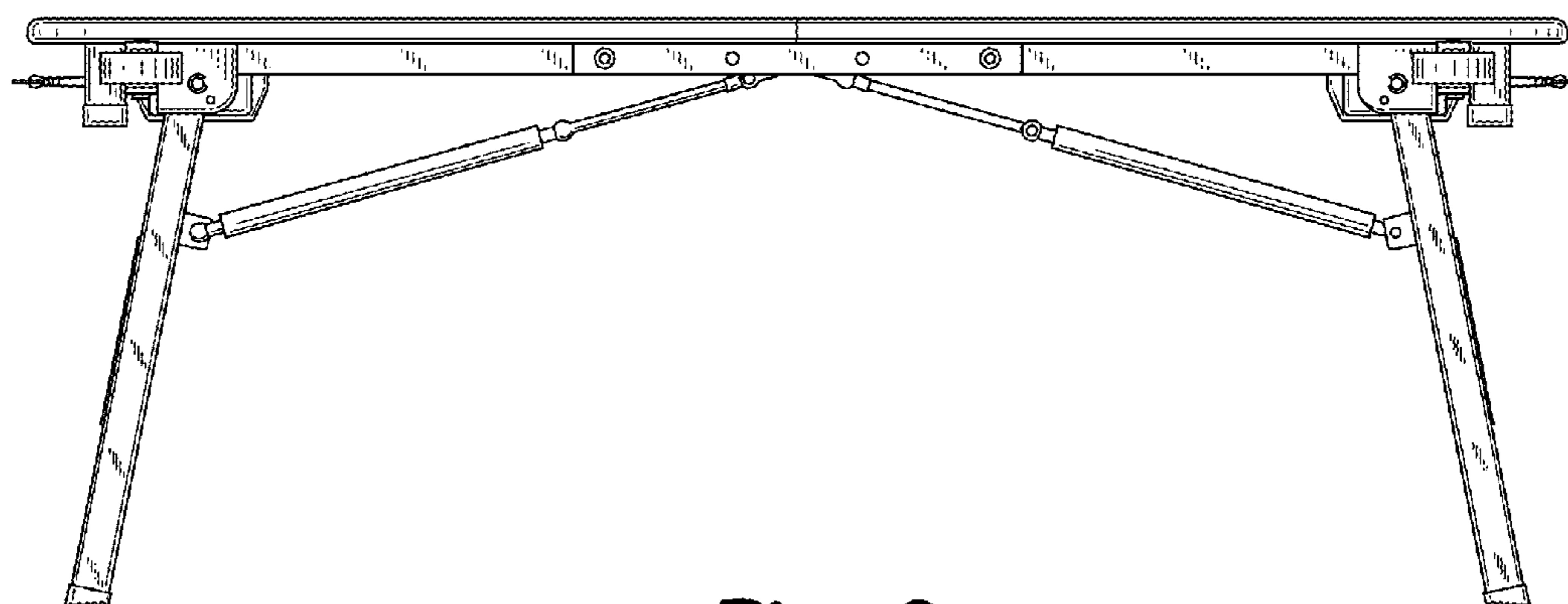


Fig. 2

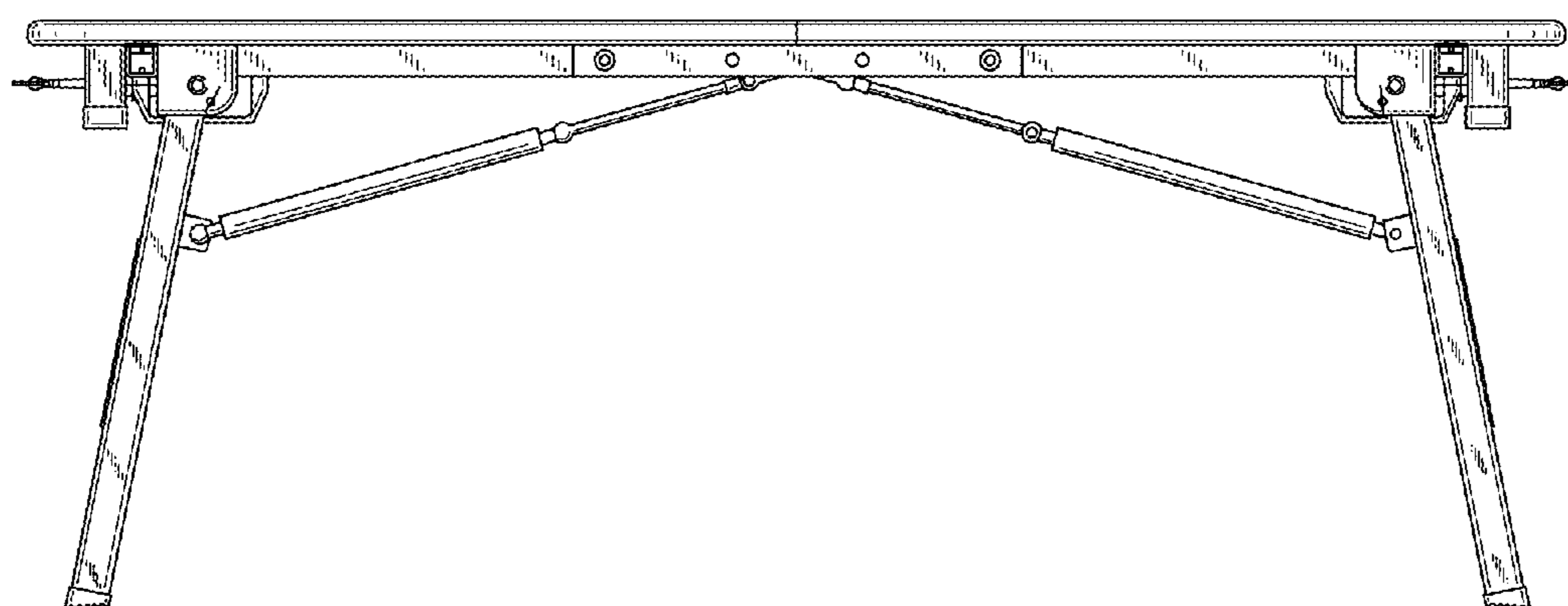


Fig. 3

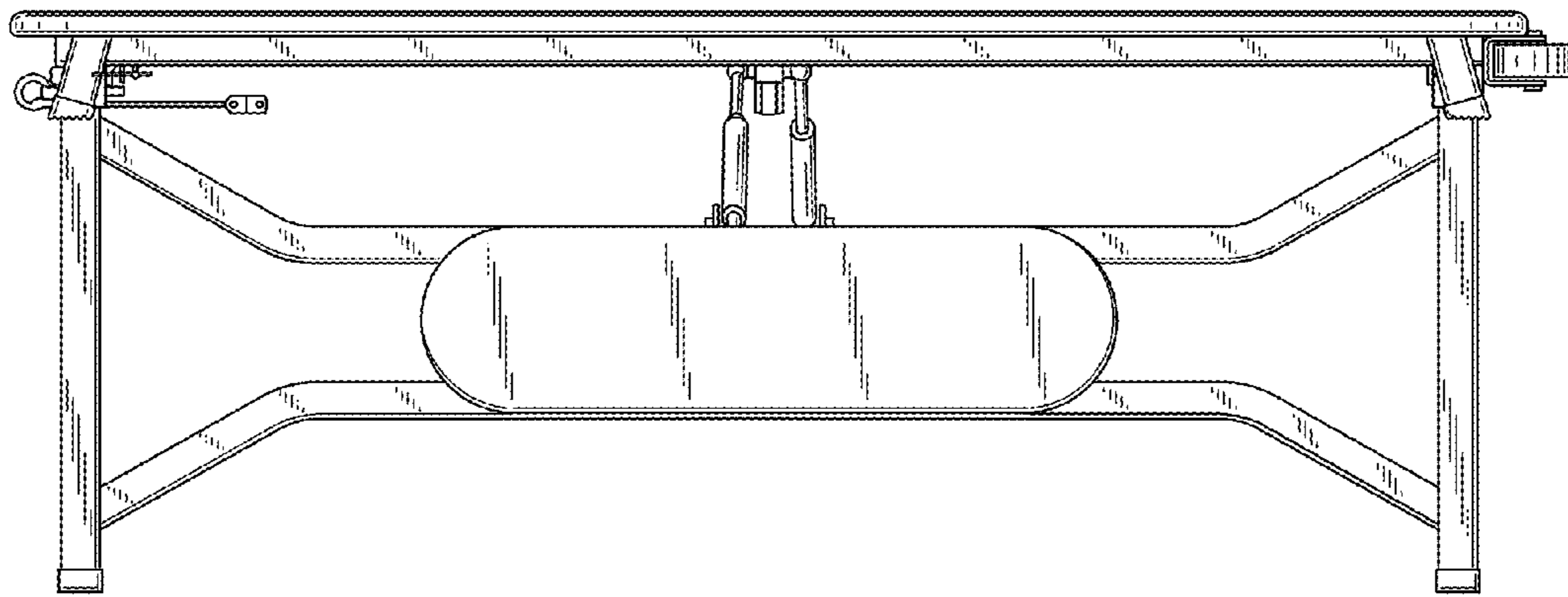


Fig. 4

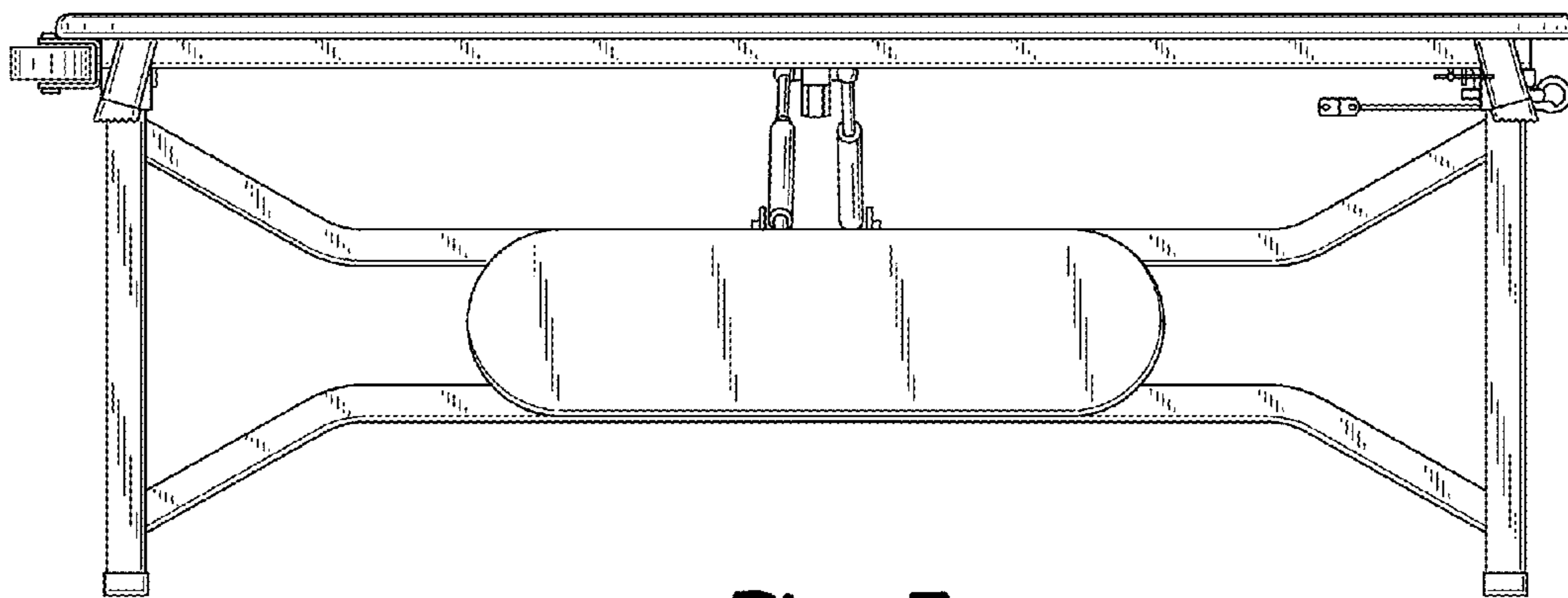


Fig. 5

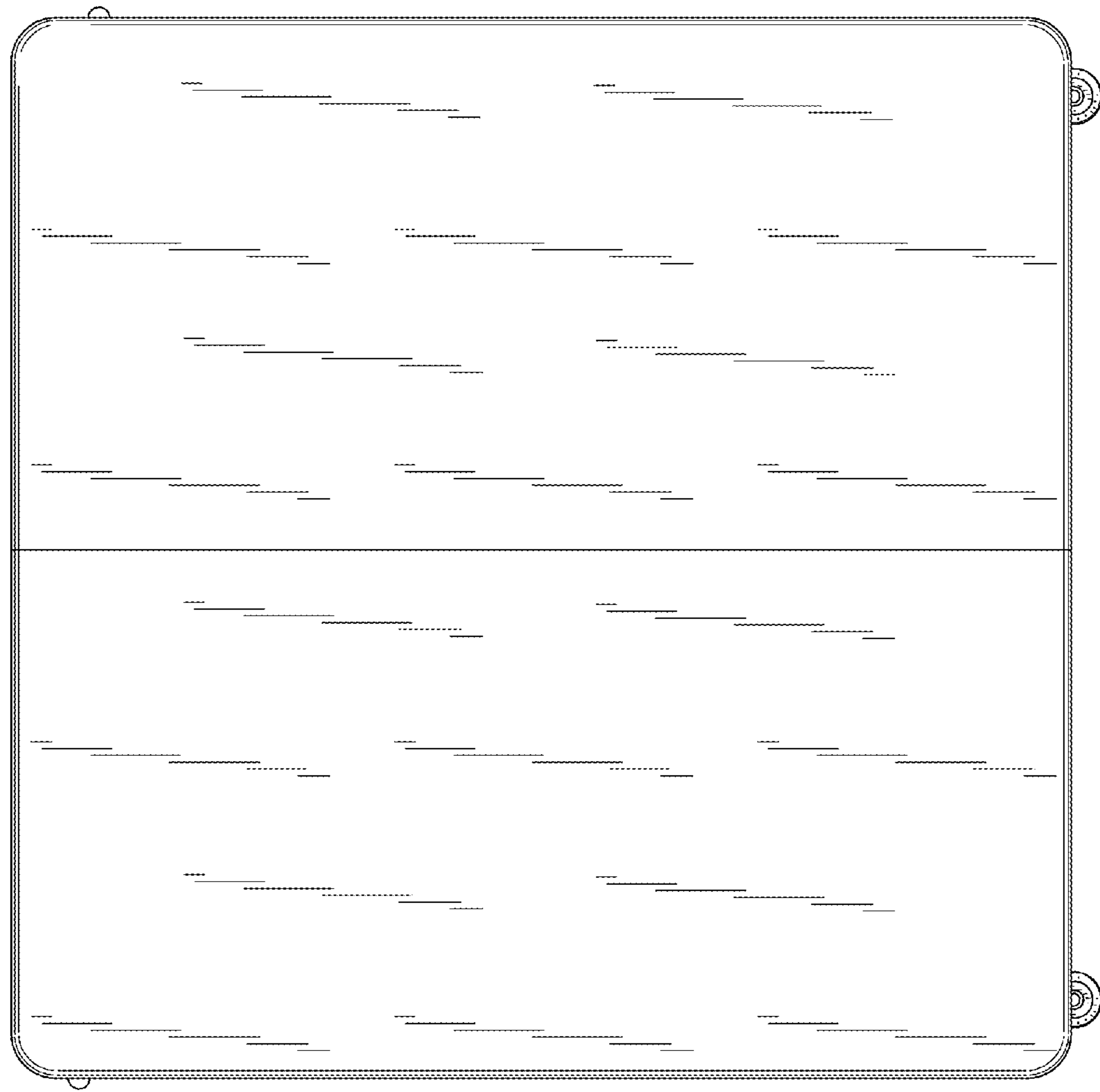


Fig. 6

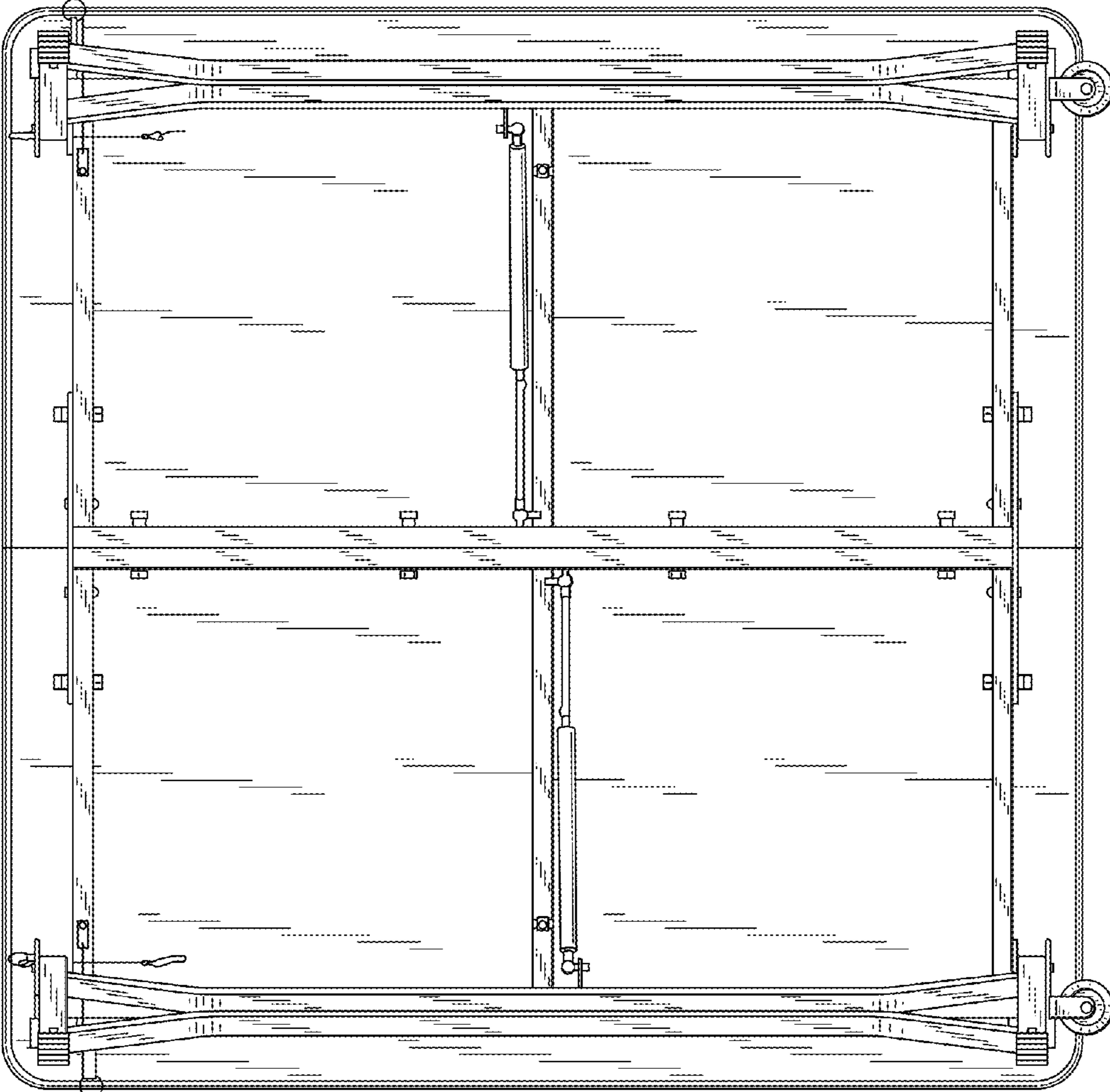


Fig. 7

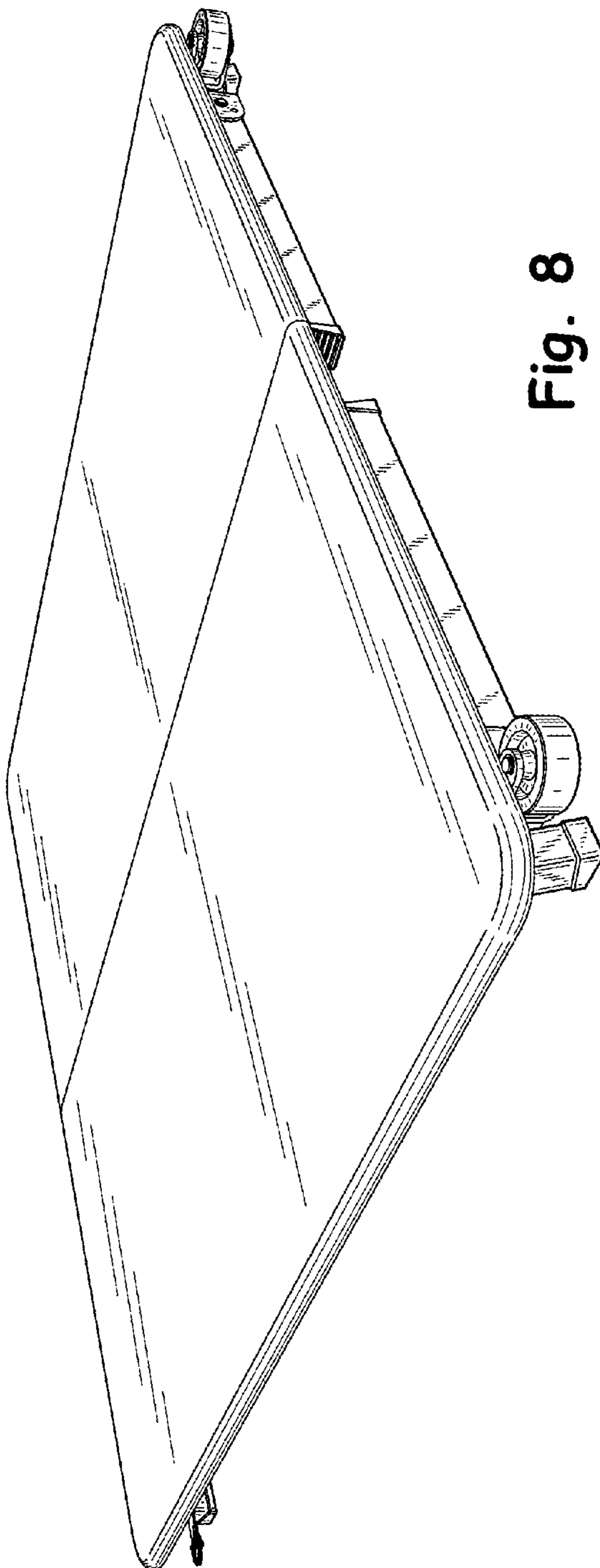


Fig. 8

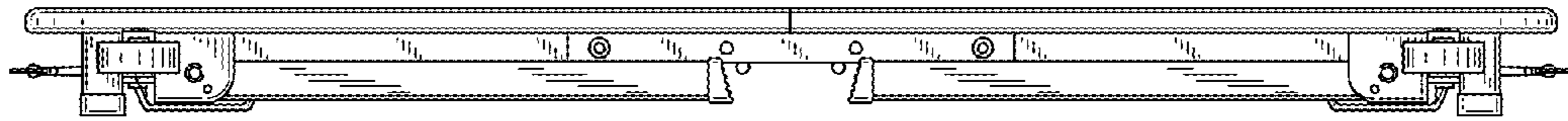


Fig. 9

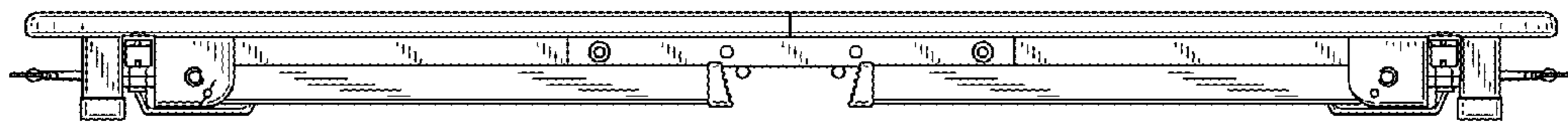


Fig. 10

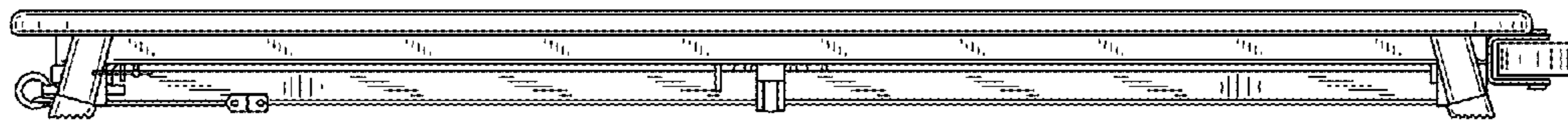


Fig. 11

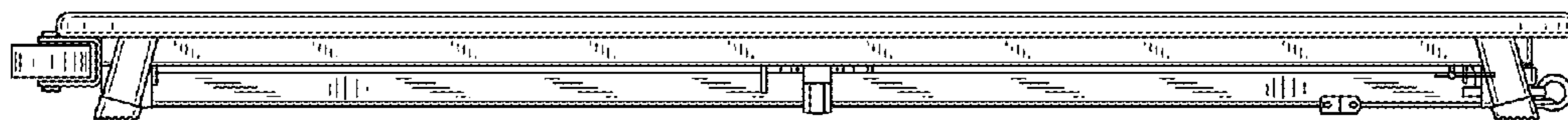


Fig. 12

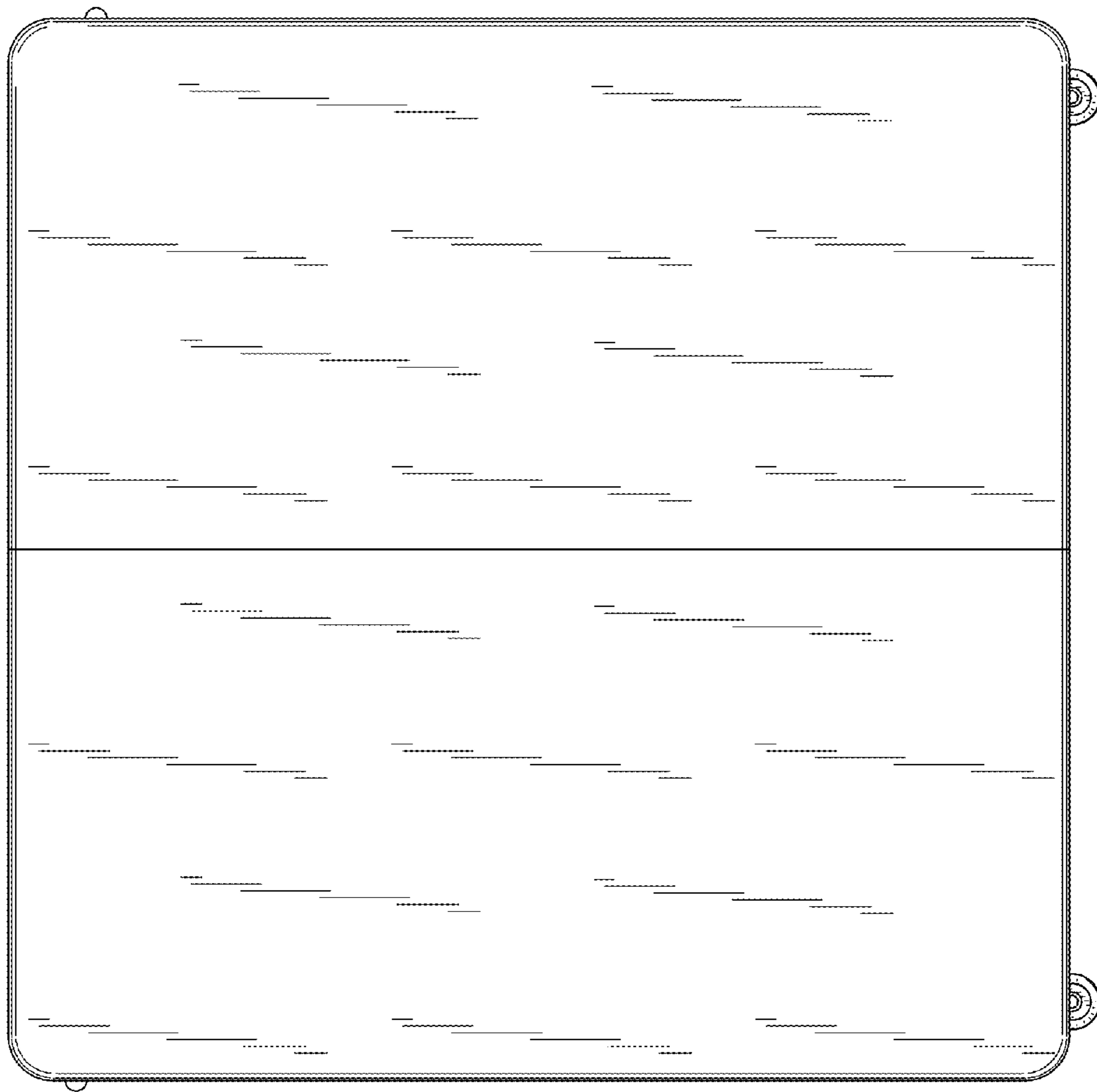


Fig. 13

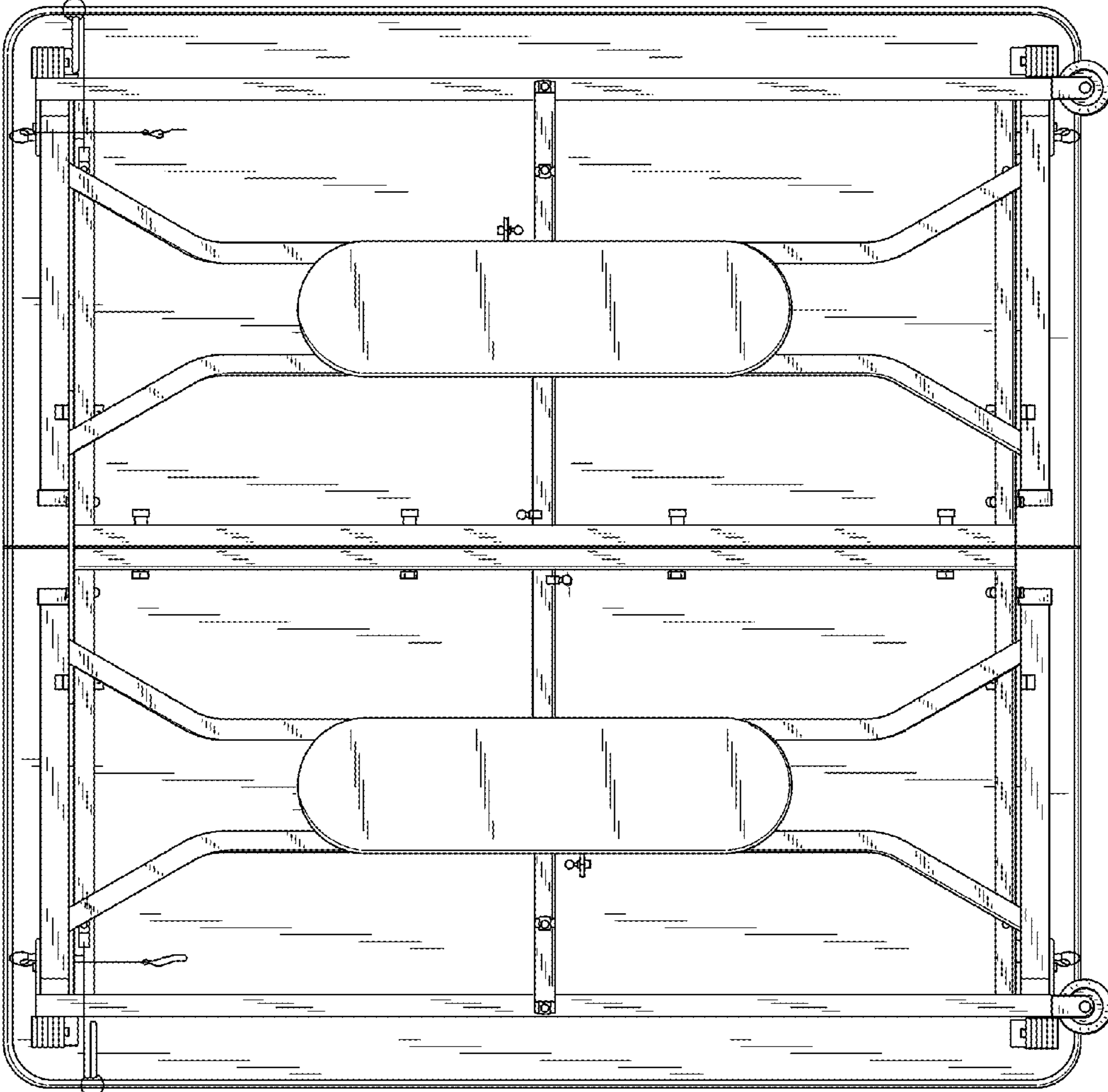


Fig. 14