



US00D739487S

(12) **United States Design Patent**  
**Schweigert**

(10) **Patent No.:** **US D739,487 S**  
(45) **Date of Patent:** **\*\* Sep. 22, 2015**

- (54) **GOLF CLUB HEAD**
- (71) Applicant: **PARSONS XTREME GOLF, LLC**,  
Scottsdale, AZ (US)
- (72) Inventor: **Bradley D. Schweigert**, Anthem, AZ  
(US)
- (73) Assignee: **Parsons Xtreme Golf, LLC**, Scottsdale,  
AZ (US)
- (\*\*) Term: **14 Years**
- (21) Appl. No.: **29/512,225**
- (22) Filed: **Dec. 17, 2014**

5,683,307 A	11/1997	Rife	
D389,207 S *	1/1998	Cameron .....	D21/742
D398,685 S	9/1998	Masuda	
D399,911 S	10/1998	Nicolette et al.	
5,839,974 A *	11/1998	McAllister .....	473/337
D405,836 S *	2/1999	Nicolette et al. ....	D21/736
D409,701 S *	5/1999	Ashcraft et al. ....	D21/743
5,924,938 A *	7/1999	Hines .....	473/307
D422,655 S *	4/2000	Hicks .....	D21/736

(Continued)

**OTHER PUBLICATIONS**

U.S. Appl. No. 29/501,012, Parsons et al., Golf Club Head, filed Aug. 29, 2014.

(Continued)

*Primary Examiner* — Mitchell Siegel

**Related U.S. Application Data**

- (62) Division of application No. 29/508,213, filed on Nov. 4, 2014, now Pat. No. Des. 722,350.
- (51) **LOC (10) Cl.** ..... **21-02**
- (52) **U.S. Cl.**  
USPC ..... **D21/759**
- (58) **Field of Classification Search**  
USPC ..... D21/733–753, 759  
CPC ..... A63B 53/00–53/065; A63B  
2053/002–2053/0491  
See application file for complete search history.

(57)

**CLAIM**

The ornamental design for a golf club head, as shown and described.

**DESCRIPTION**

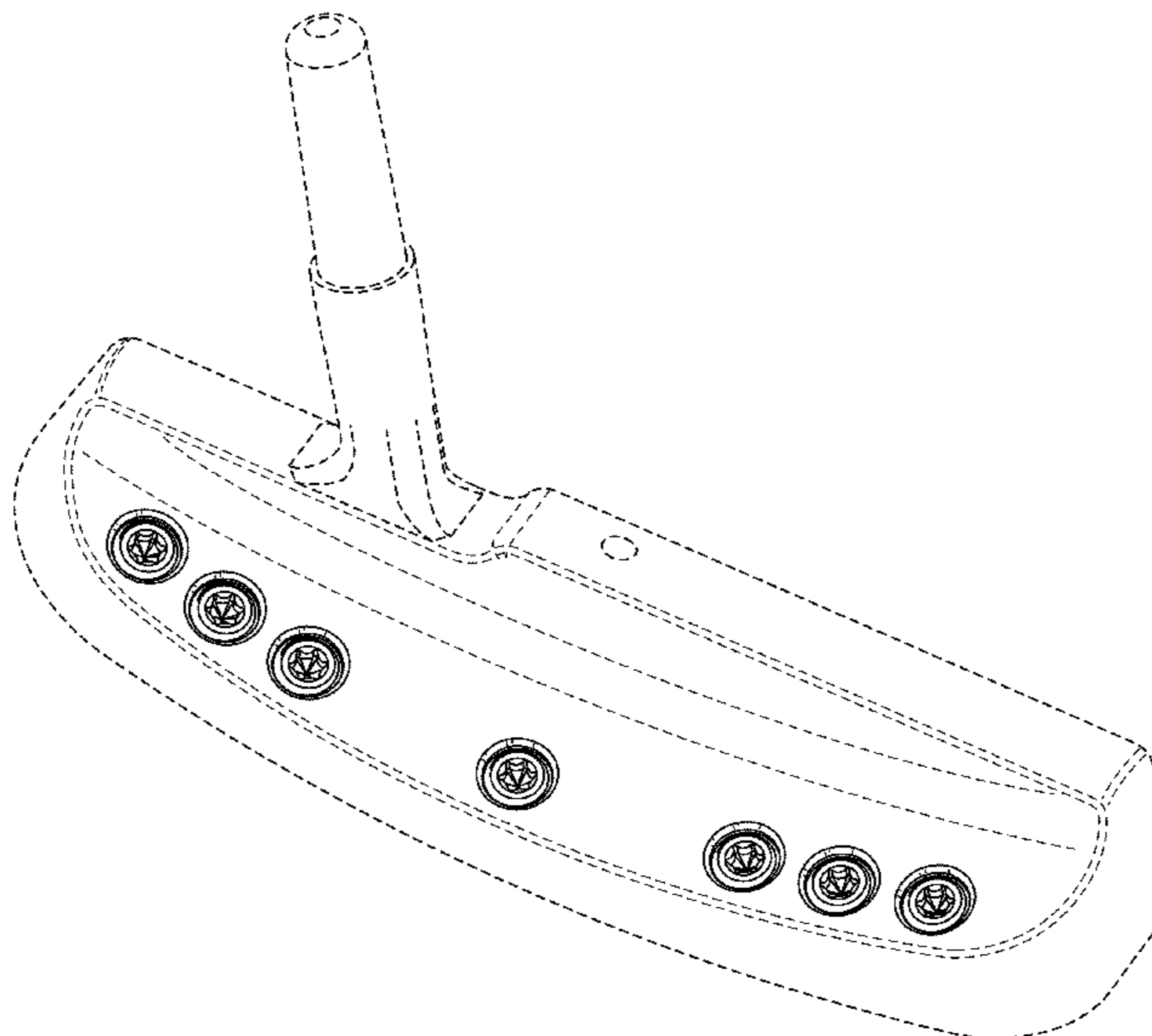
FIG. 1 is a top perspective view of a golf club head;  
 FIG. 2 is a bottom perspective view of the golf club head of FIG. 1;  
 FIG. 3 is a front elevational view of the golf club head of FIG. 1;  
 FIG. 4 is a rear elevational view of the golf club head of FIG. 1;  
 FIG. 5 is a top view of the golf club head of FIG. 1;  
 FIG. 6 is a bottom view of the golf club head of FIG. 1;  
 FIG. 7 is a left side view of the golf club head of FIG. 1; and,  
 FIG. 8 is a right side view of the golf club head of FIG. 1.  
 The broken lines connecting the solid lines represent the bounds of the claim. The remaining broken lines illustrate the environment. None of the broken lines forms part of the claimed design.

(56) **References Cited**

**U.S. PATENT DOCUMENTS**

922,444 A *	5/1909	Youds .....	473/342
RE19,178 E *	5/1934	Spiker .....	473/251
4,754,977 A *	7/1988	Sahm .....	473/337
4,869,507 A *	9/1989	Sahm .....	473/337
5,489,097 A	2/1996	Simmons	
D368,751 S	4/1996	Rife	
D378,688 S	4/1997	Cameron	
D385,609 S *	10/1997	Cameron .....	D21/753

**1 Claim, 6 Drawing Sheets**



(56)

References Cited

U.S. PATENT DOCUMENTS

D426,276 S \* 6/2000 Besnard et al. .... D21/747  
 D431,854 S \* 10/2000 Cameron ..... D21/759  
 D432,192 S \* 10/2000 Hicks ..... D21/736  
 D436,151 S 1/2001 Nicolette et al.  
 D437,374 S \* 2/2001 Cameron ..... D21/759  
 D441,820 S 5/2001 Nicolette et al.  
 D443,668 S 6/2001 Nicolette et al.  
 D443,905 S 6/2001 Nicolette et al.  
 D444,833 S 7/2001 Wells et al.  
 D449,664 S 10/2001 Beebe et al.  
 D449,865 S \* 10/2001 Fife et al. .... D21/736  
 D450,799 S 11/2001 Nicolette et al.  
 D451,973 S 12/2001 Wells et al.  
 6,348,014 B1 \* 2/2002 Chiu ..... 473/337  
 6,354,959 B1 3/2002 Nicolette et al.  
 D474,821 S 5/2003 Wells et al.  
 D483,086 S 12/2003 Schweigert et al.  
 D486,872 S 2/2004 Schweigert et al.  
 D498,276 S 11/2004 Schweigert et al.  
 6,902,496 B2 6/2005 Solheim et al.  
 D512,116 S \* 11/2005 Mirafior et al. .... D21/759  
 6,988,956 B2 1/2006 Cover et al.  
 D531,242 S 10/2006 Adams  
 D532,067 S 11/2006 Soracco et al.  
 7,153,220 B2 12/2006 Lo  
 D534,595 S \* 1/2007 Hasebe ..... D21/747  
 7,156,752 B1 1/2007 Bennett  
 D536,401 S \* 2/2007 Kawami ..... D21/759  
 D536,403 S \* 2/2007 Kawami ..... D21/759  
 D538,371 S \* 3/2007 Kawami ..... D21/759  
 7,204,765 B2 4/2007 Cover et al.  
 D542,869 S 5/2007 Adams  
 D543,598 S 5/2007 Kuan et al.  
 D543,601 S \* 5/2007 Kawami ..... D21/759  
 D555,219 S \* 11/2007 Lin ..... D21/759  
 D561,854 S 2/2008 Morris  
 7,331,876 B2 2/2008 Klein  
 7,351,162 B2 4/2008 Soracco et al.  
 D569,461 S 5/2008 Morris  
 7,396,289 B2 7/2008 Soracco et al.  
 D577,085 S 9/2008 Nicolette et al.  
 D577,086 S 9/2008 Nicolette et al.  
 D579,506 S 10/2008 Nicolette et al.  
 D579,995 S 11/2008 Nicolette et al.  
 D582,497 S 12/2008 Rollinson

7,473,189 B2 \* 1/2009 Schweigert et al. .... 473/341  
 7,491,131 B2 \* 2/2009 Vinton ..... 473/251  
 D599,425 S 9/2009 Laub  
 D600,763 S \* 9/2009 Cameron ..... D21/759  
 7,744,485 B2 6/2010 Jones et al.  
 D620,993 S \* 8/2010 Laub ..... D21/746  
 7,887,432 B2 2/2011 Jones et al.  
 7,909,707 B2 3/2011 Klein  
 7,918,745 B2 4/2011 Morris et al.  
 D638,891 S 5/2011 Nicolette et al.  
 D642,643 S 8/2011 Nicolette et al.  
 D643,485 S 8/2011 Nicolette et al.  
 D645,104 S 9/2011 Nicolette et al.  
 8,096,039 B2 1/2012 Soracco et al.  
 D653,718 S 2/2012 Stokke et al.  
 D661,753 S \* 6/2012 Cameron et al. .... D21/759  
 D666,260 S \* 8/2012 Cynn ..... D21/742  
 D688,339 S 8/2013 Hilton et al.  
 D688,341 S 8/2013 Rollinson  
 D691,226 S 10/2013 Hilton et al.  
 D699,308 S 2/2014 Rollinson  
 D704,782 S 5/2014 Rollinson  
 8,721,472 B2 5/2014 Kuan et al.  
 8,790,193 B2 7/2014 Serrano et al.  
 D722,350 S \* 2/2015 Schweigert ..... D21/735  
 D722,352 S \* 2/2015 Nicolette et al. .... D21/747  
 D723,120 S \* 2/2015 Nicolette ..... D21/747  
 D725,208 S \* 3/2015 Schweigert ..... D21/743  
 D726,265 S \* 4/2015 Nicolette ..... D21/747  
 D726,846 S \* 4/2015 Schweigert ..... D21/743  
 2007/0142122 A1 6/2007 Bonneau  
 2007/0238548 A1 10/2007 Johnson  
 2008/0176672 A1 7/2008 Roach et al.  
 2011/0165959 A1 7/2011 Klein  
 2013/0165256 A1 6/2013 Stevenson  
 2013/0210537 A1 8/2013 Ainscough et al.

OTHER PUBLICATIONS

U.S. Appl. No. 29/503,812, Schweigert, Golf Club Head, filed Sep. 30, 2014.  
 U.S. Appl. No. 29/506,381, Schweigert, Golf Club Head, filed Oct. 15, 2014.  
 U.S. Appl. No. 29/508,213, Schweigert, Golf Club Head, filed Nov. 4, 2014.  
 U.S. Appl. No. 29/509,762, Parsons et al., Golf Club Head, filed Nov. 20, 2014.

\* cited by examiner

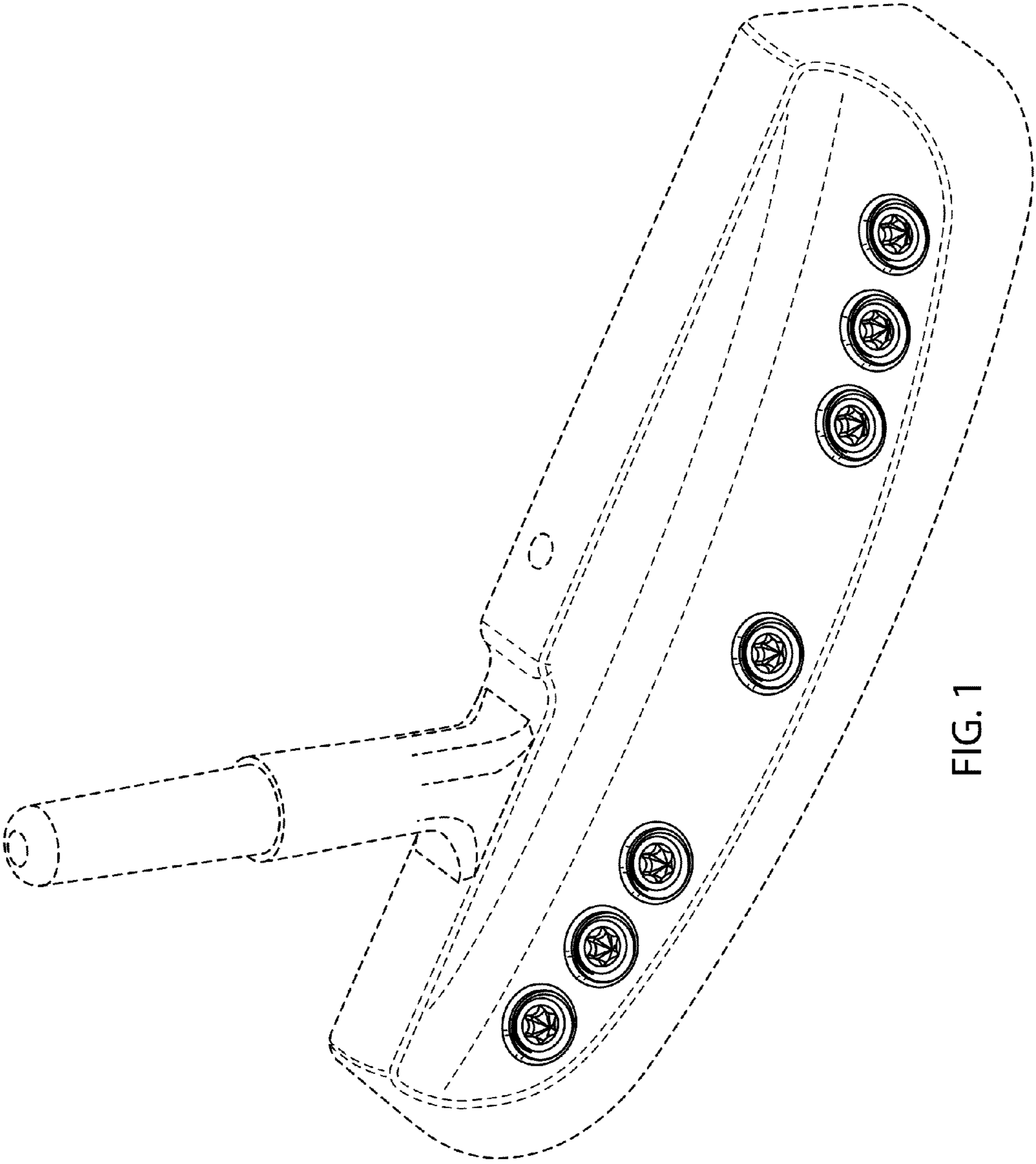


FIG. 1

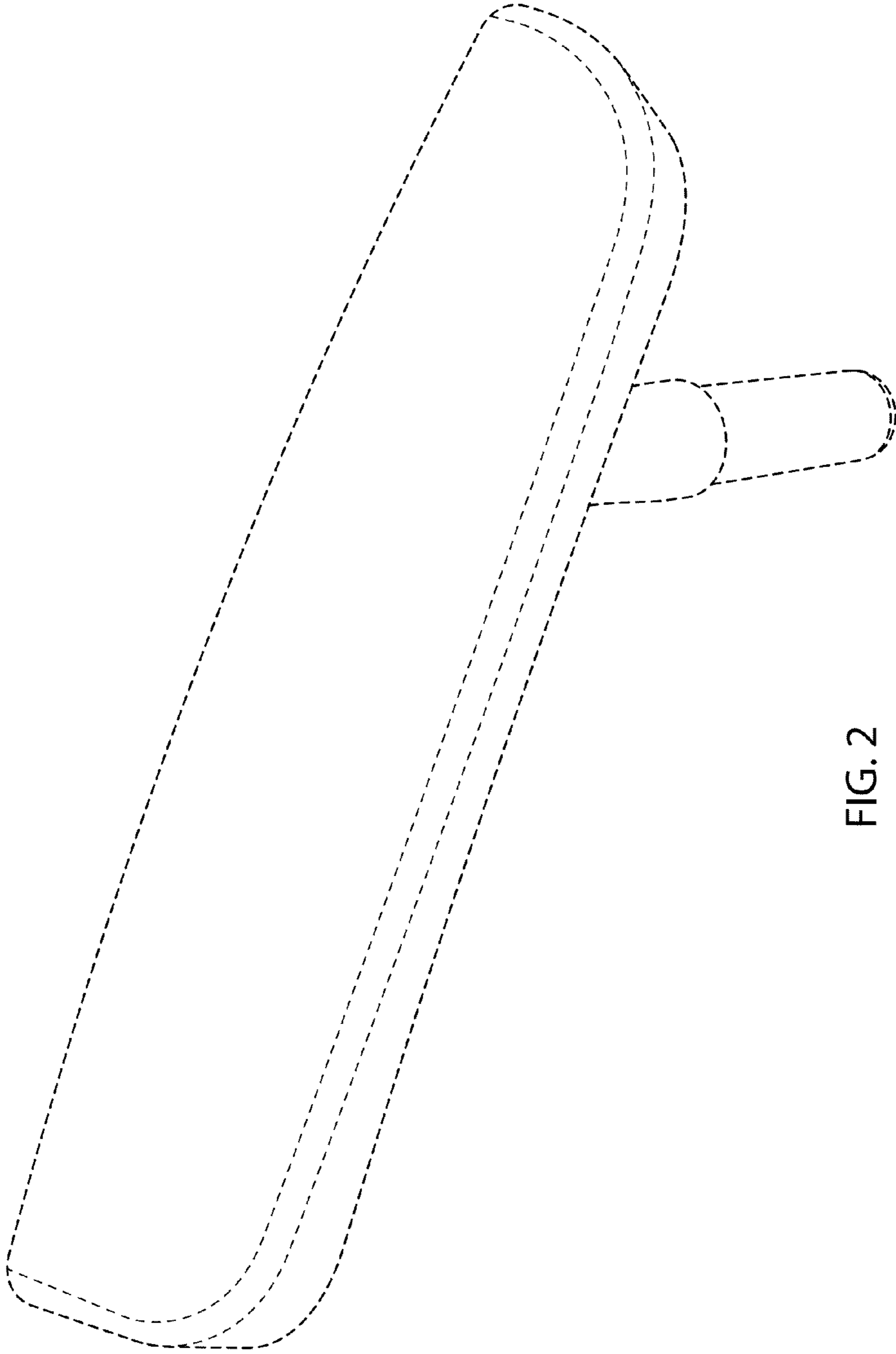


FIG. 2

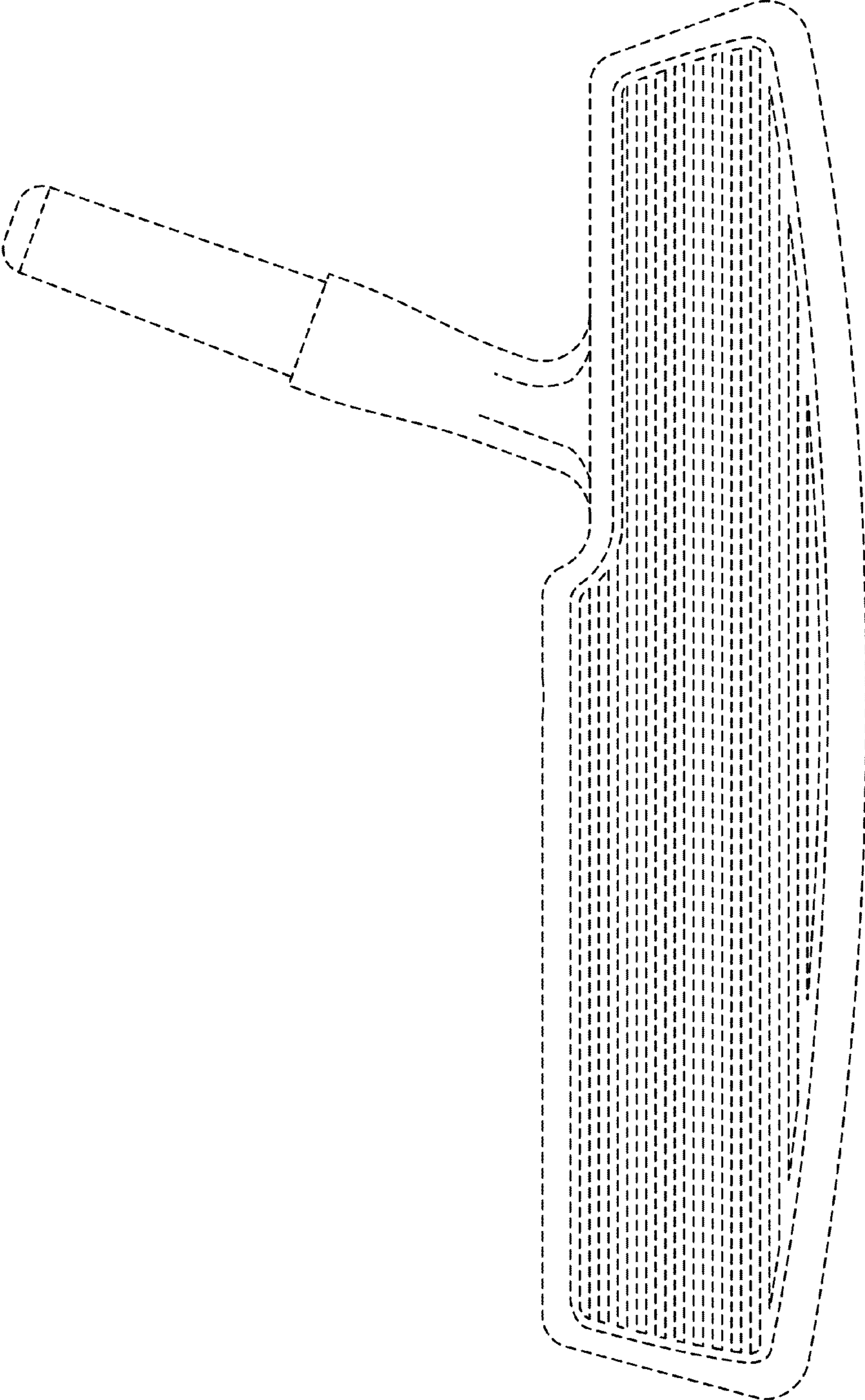


FIG. 3

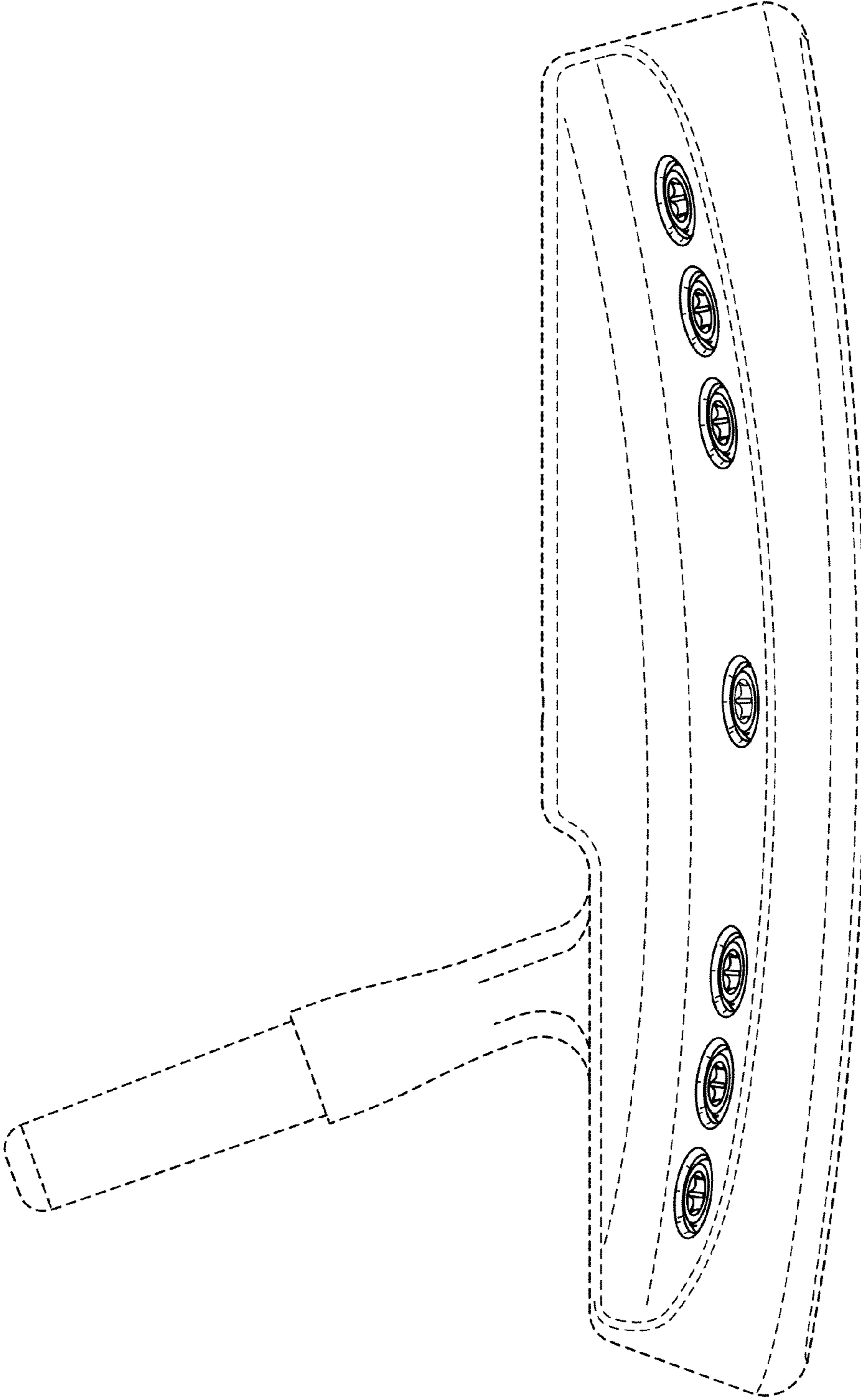


FIG. 4

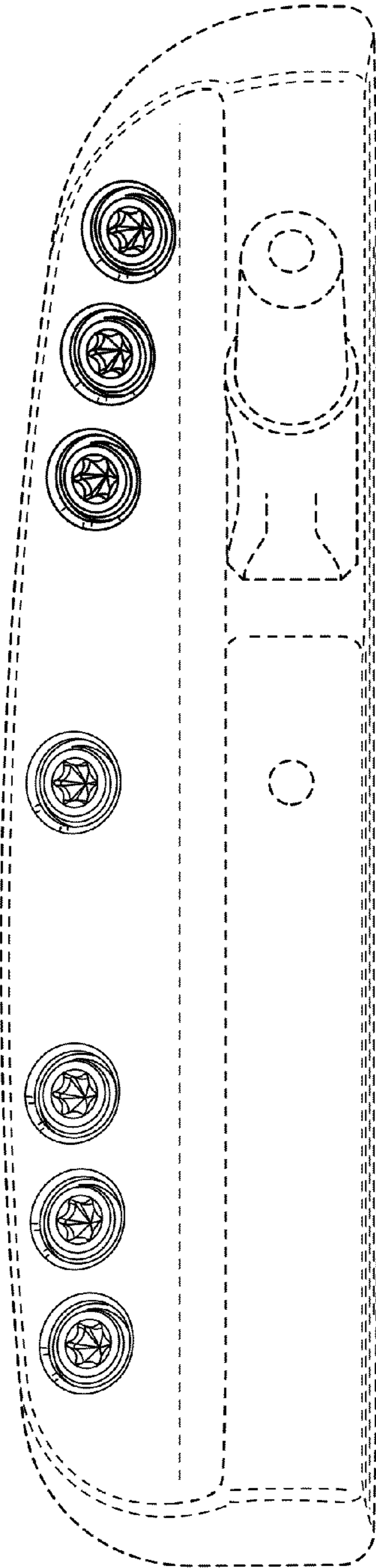


FIG. 5

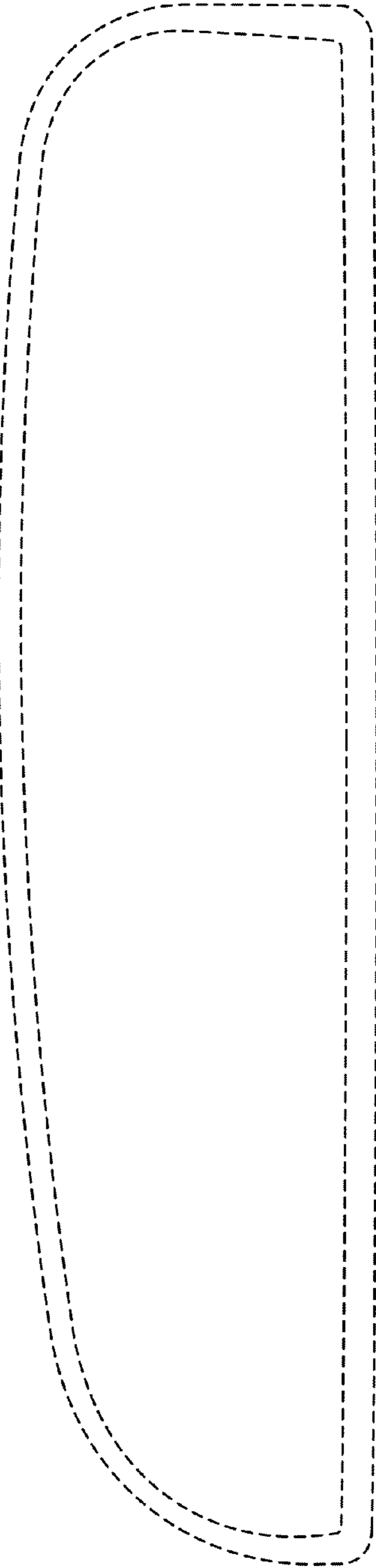


FIG. 6

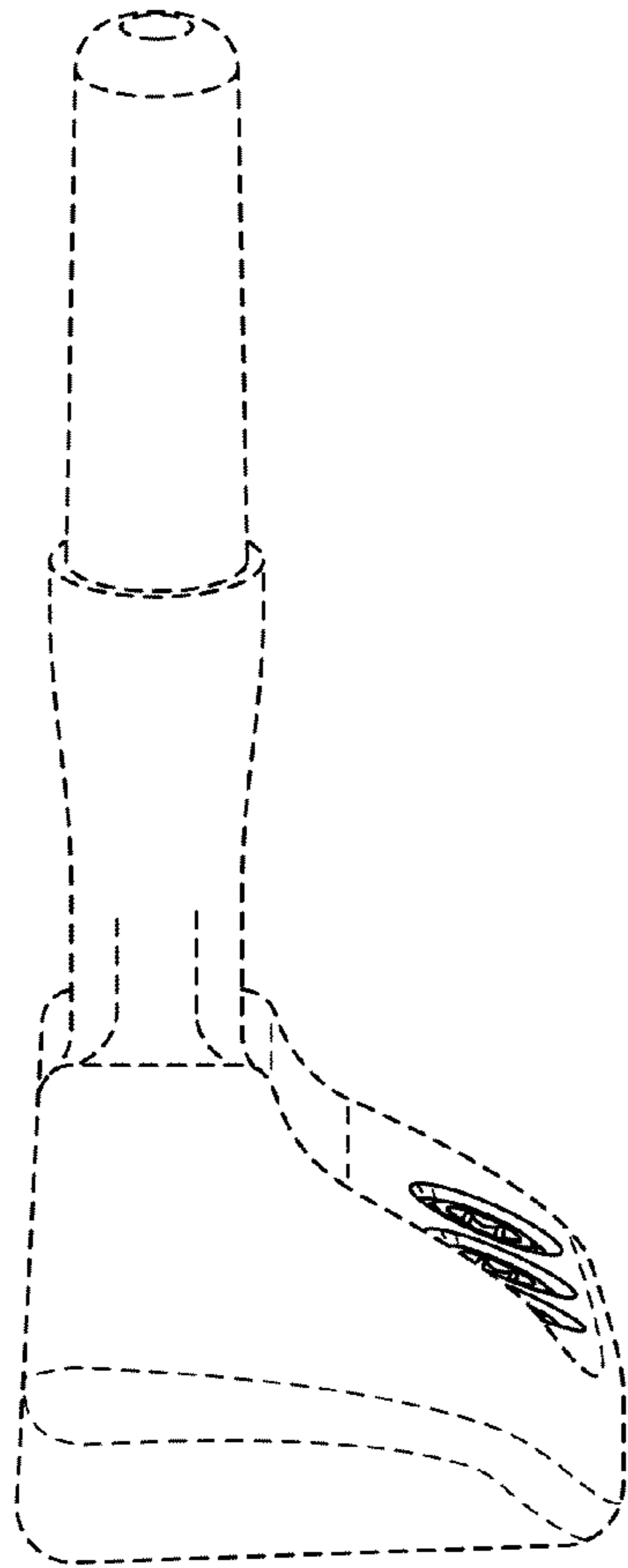


FIG. 7

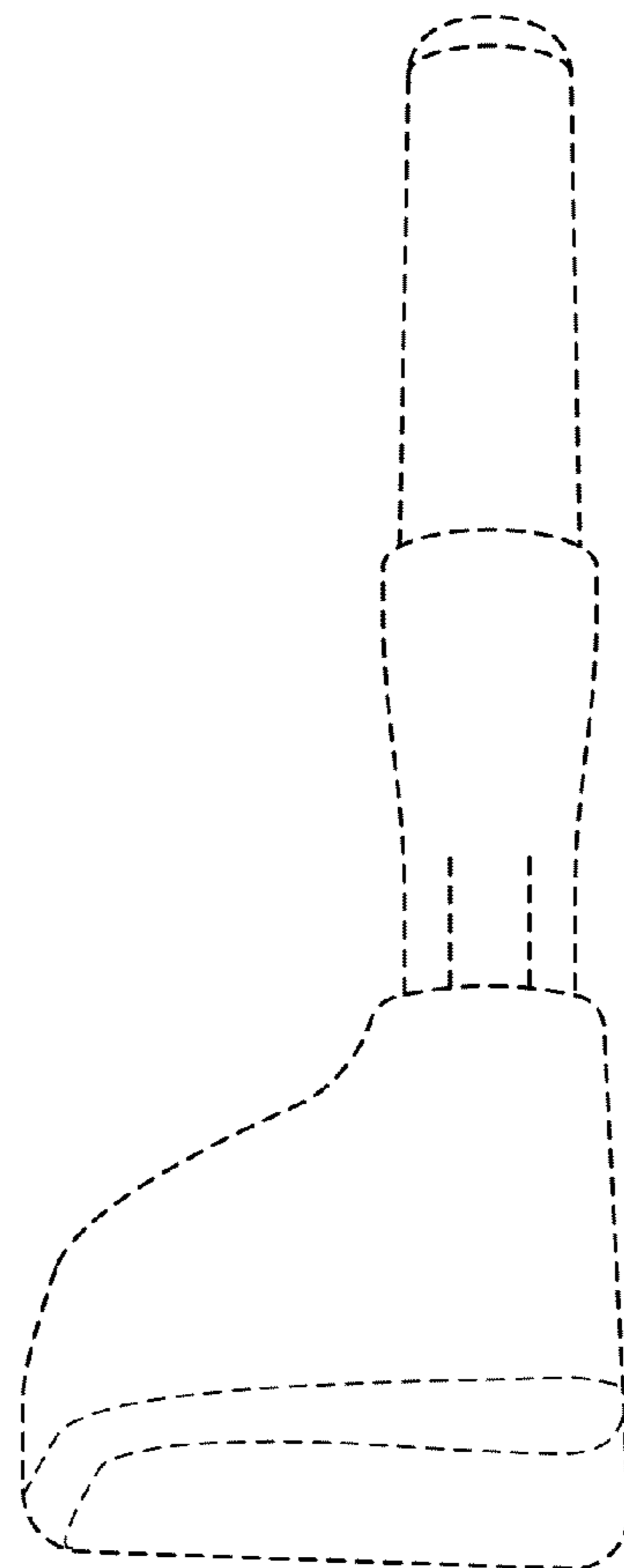


FIG. 8