



US00D739486S

(12) **United States Design Patent**
Bennett

(10) **Patent No.:** **US D739,486 S**

(45) **Date of Patent:** **** Sep. 22, 2015**

(54) **TEEING DEVICE**

(71) Applicant: **Northcroft Golf Limited**, Hungerford (GB)

(72) Inventor: **John Bennett**, Hungerford (GB)

(73) Assignee: **Northcroft Golf Limited**, Hungerford (GB)

(**) Term: **14 Years**

(21) Appl. No.: **29/499,775**

(22) Filed: **Aug. 19, 2014**

(30) **Foreign Application Priority Data**

Feb. 28, 2014 (EM) 002415653

(51) **LOC (10) Cl.** **21-02**

(52) **U.S. Cl.**
USPC **D21/718; D21/789**

(58) **Field of Classification Search**
USPC D21/717-718, 789, 793, 796
CPC A63B 57/0037
See application file for complete search history.

(56) **References Cited**

U.S. PATENT DOCUMENTS

2,609,198	A *	9/1952	Armstrong	473/133
4,313,604	A *	2/1982	Baxter	473/132
4,616,826	A *	10/1986	Trefts	473/133
4,714,250	A *	12/1987	Henthorn	473/133
4,949,961	A *	8/1990	Milano	473/133
4,951,947	A *	8/1990	Kopfle	473/133

4,969,646	A *	11/1990	Tobias	473/133
5,171,010	A *	12/1992	Lanoue	473/132
5,310,177	A *	5/1994	Conrad et al.	473/133
5,330,177	A *	7/1994	Rogge	473/386
D361,355	S *	8/1995	Hummer	D21/793
D368,748	S *	4/1996	Kellersohn	D21/789
5,503,394	A *	4/1996	Mauck et al.	473/386
D426,856	S *	6/2000	Engel	D21/793
D460,797	S *	7/2002	Raeburn et al.	D21/789

* cited by examiner

Primary Examiner — Mitchell Siegel

(74) *Attorney, Agent, or Firm* — Renner, Otto, Boisselle & Sklar, LLP

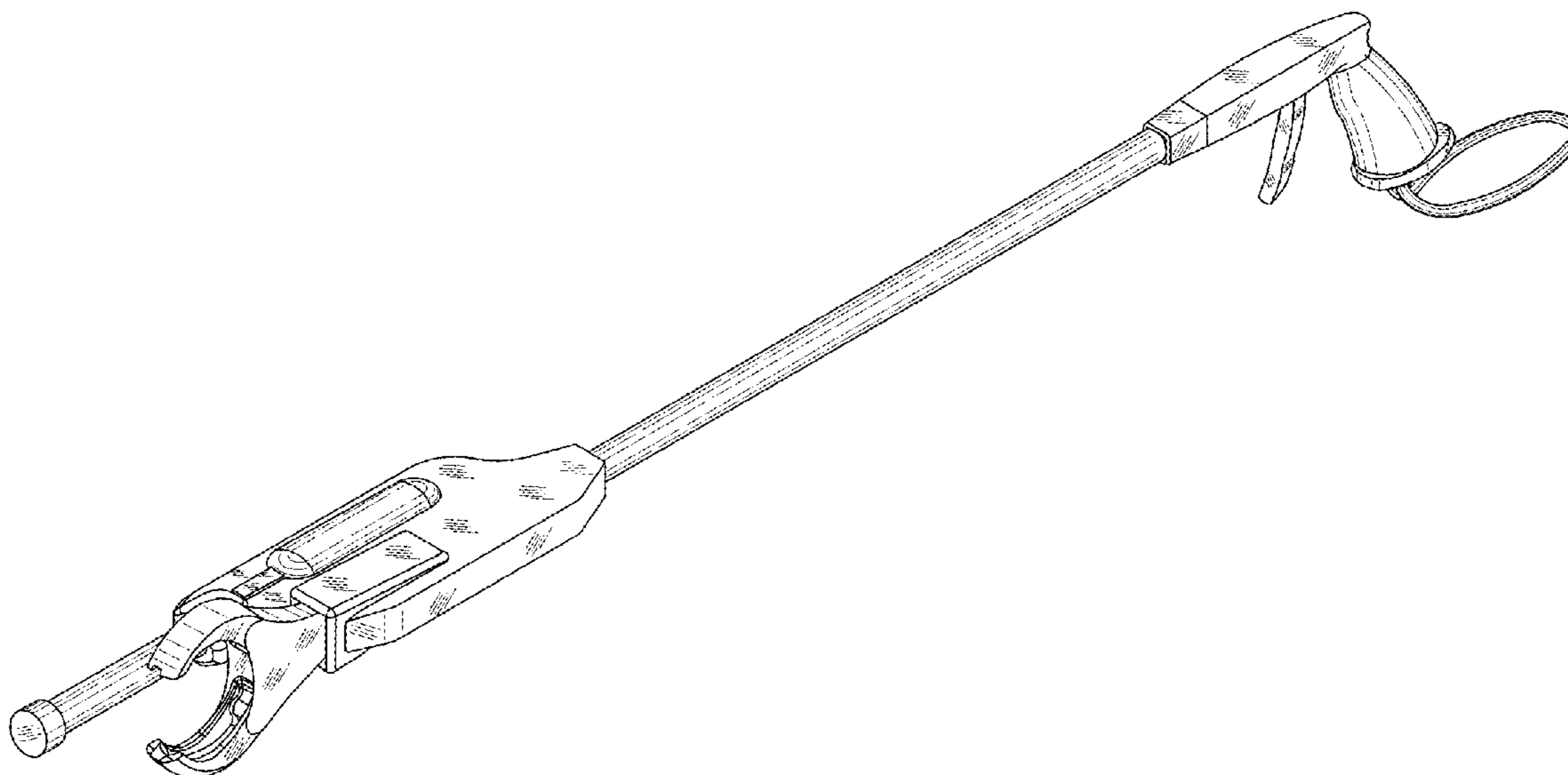
(57) **CLAIM**

The ornamental design for a teeing device, as shown and described.

DESCRIPTION

FIG. 1 is a perspective view of a teeing device in an open position showing my new design.
 FIG. 2 is a perspective view of the teeing device in a closed position and grasping a tee and a ball.
 FIG. 3 is a front view of the teeing device in the open position.
 FIG. 4 is a top view thereof.
 FIG. 5 is a rear view thereof.
 FIG. 6 is a bottom view thereof; and,
 FIG. 7 is a right side view thereof.
 The broken lines shown herein are for illustrative purposes only and form no part of the claimed design.

1 Claim, 7 Drawing Sheets



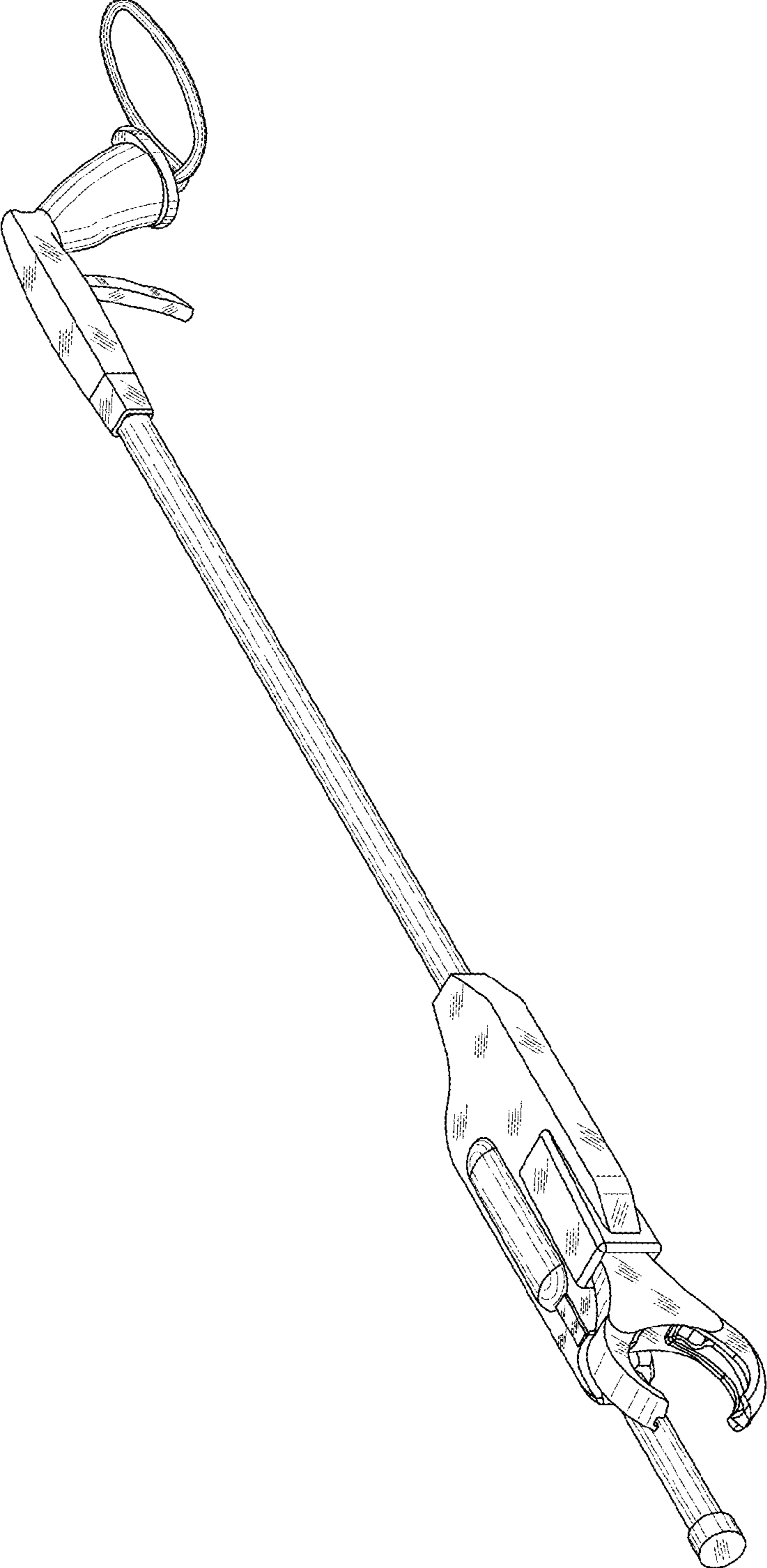


FIG. 1

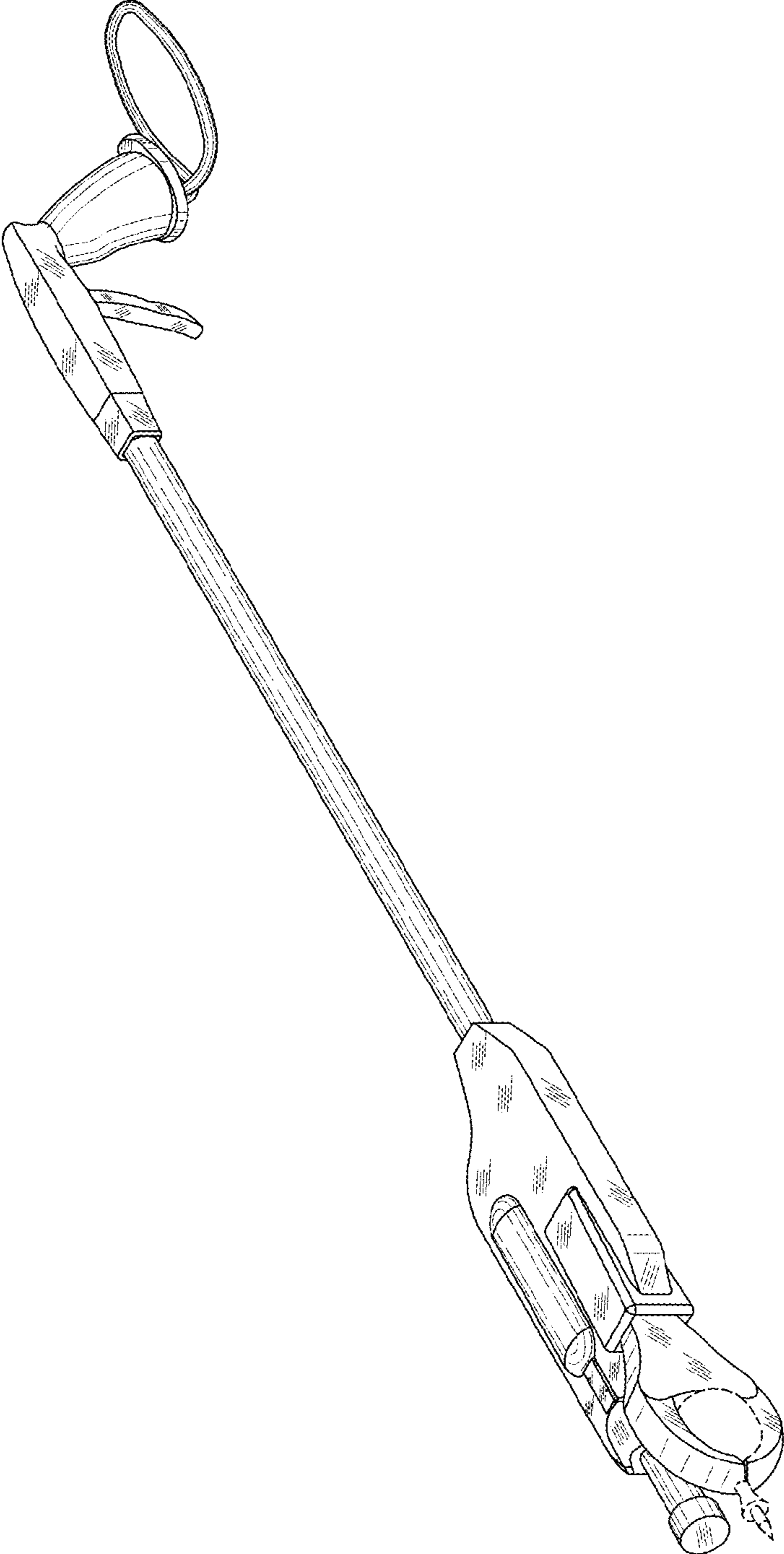


FIG. 2

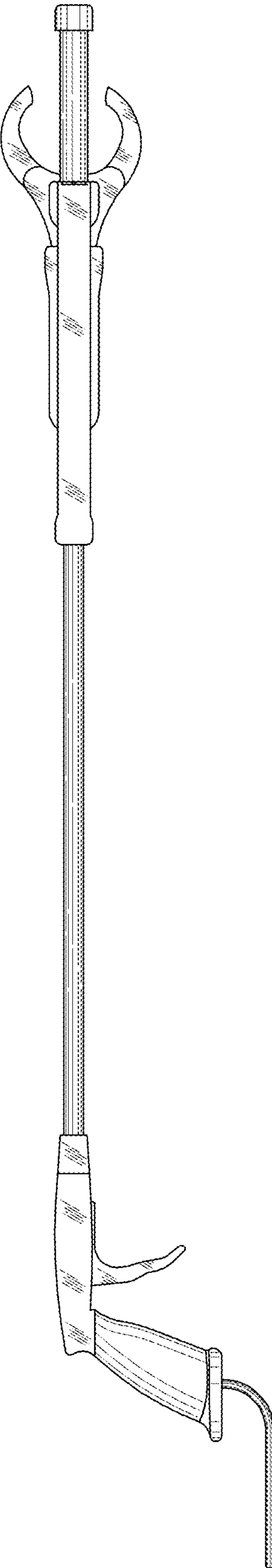


FIG. 3

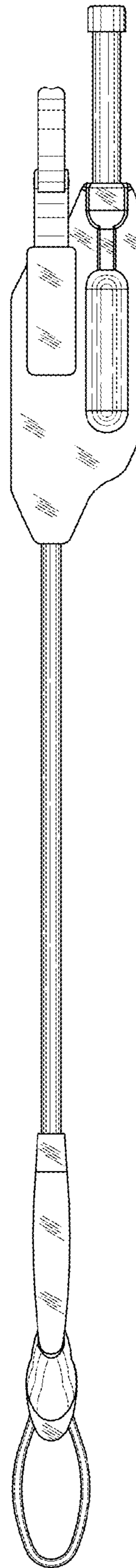


FIG. 4

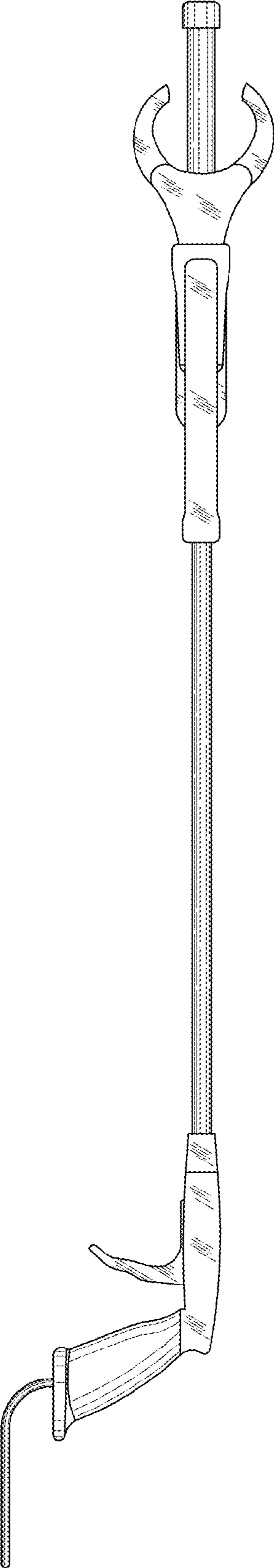


FIG. 5

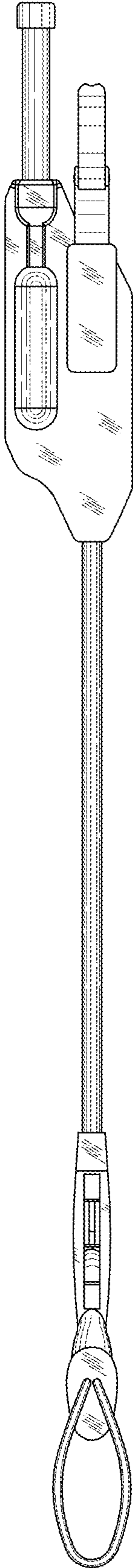


FIG. 6

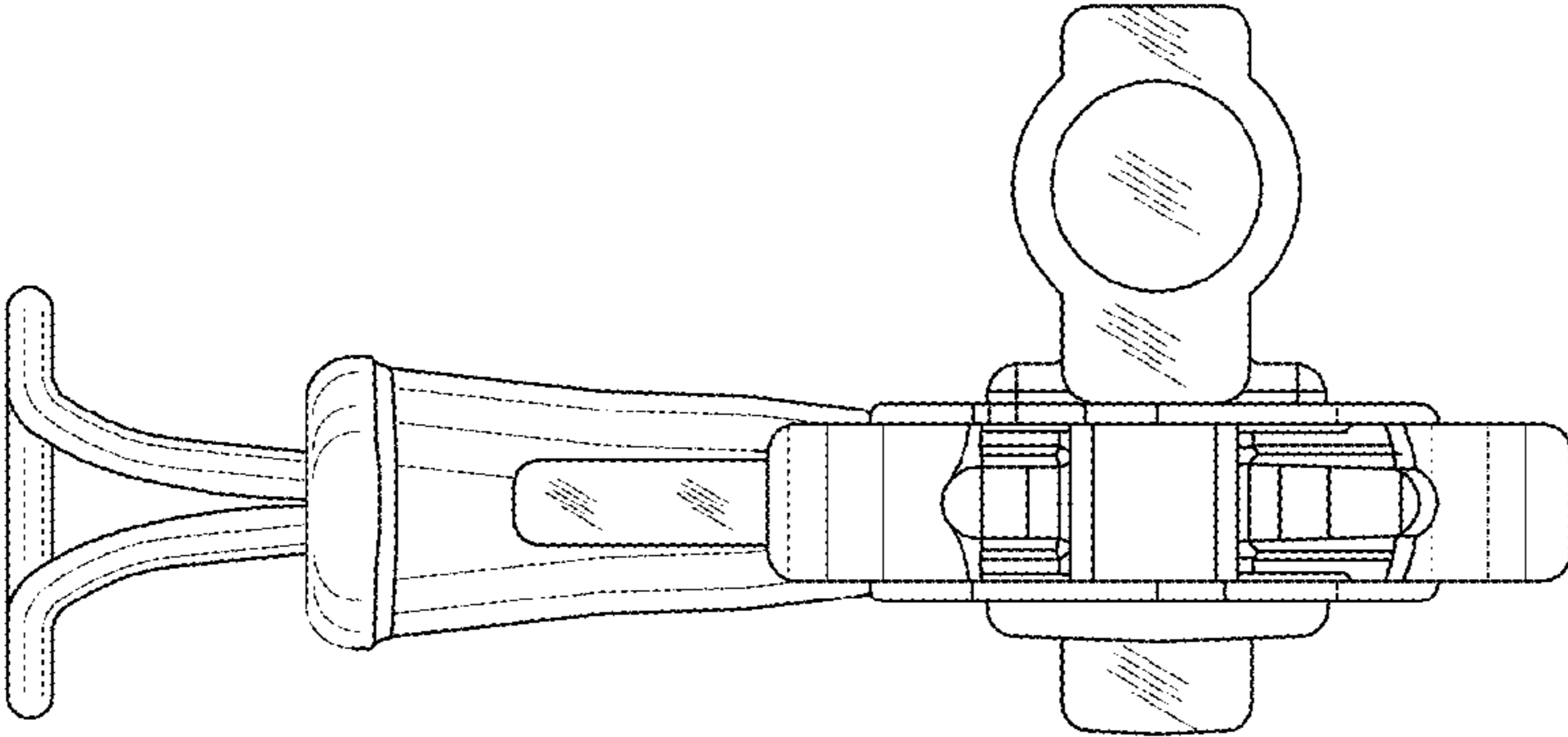


FIG. 7