



US00D739483S

(12) **United States Design Patent**  
**Aller**

(10) **Patent No.:** **US D739,483 S**

(45) **Date of Patent:** **\*\* Sep. 22, 2015**

- (54) **EXERCISE DEVICE HAVING  
CASTER-SUPPORTED PLATFORM WITH  
RESISTANCE BAND CATCH**
- (71) Applicant: **Hill Laboratories Company**, Frazer, PA  
(US)
- (72) Inventor: **Brady Aller**, West Chester, PA (US)
- (73) Assignee: **Hill Laboratories Company**, Frazer, PA  
(US)
- (\*\*) Term: **14 Years**
- (21) Appl. No.: **29/496,811**
- (22) Filed: **Jul. 17, 2014**
- (51) **LOC (10) Cl.** ..... **21-02**
- (52) **U.S. Cl.**  
USPC ..... **D21/686**
- (58) **Field of Classification Search**  
USPC ..... D21/797, 694, 671, 686, 698, 699, 680,  
D21/685, 692, 662, 687, 689, 318, 688, 412,  
D21/333, 683, 798; D19/37, 64, 59;  
D8/330, 1, 16; D9/624, 629; D14/417,  
D14/496; 15/104.93, 105, 118, 229.11, 208;  
D25/139, 155, 62, 65; D6/349, 582,  
D6/592, 335, 350, 583, 588, 585; 99/472,  
99/467; D34/23, 1; 297/461, 223, 423.41;  
269/28 R, 13, 15, 14; 206/501, 514,  
206/4.27, 8; 156/250, 256, 272.8, 308.2,  
156/330, 60, 213; 248/678; D7/698, 699,  
D7/629, 388; 220/4.26; 217/3 R; D24/190,  
D24/191, 192, 167; D17/99; D3/294, 282,  
D3/905; D30/118; 182/33; D99/17, 1;  
428/122; 451/534, 539; 482/142, 52,  
482/51, 3, 74, 91, 140, 25, 94; 446/117, 69;  
473/278

See application file for complete search history.

(56) **References Cited**

**U.S. PATENT DOCUMENTS**

- D204,752 S \* 5/1966 Tveten ..... D34/18
- D294,752 S 5/1966 Tveten

(Continued)

*Primary Examiner* — Robert M Spear

*Assistant Examiner* — Ryan Harvey

(74) *Attorney, Agent, or Firm* — Howson & Howson LLP

(57) **CLAIM**

The ornamental design for an exercise device having caster-supported platform with resistance band catch, as shown and described.

**DESCRIPTION**

FIG. 1 is a perspective view of an exercise device having caster-supported platform with resistance band catch according to my new design;

FIG. 2 is a perspective view of an underside of the exercise device having caster-supported platform with resistance band catch of FIG. 1;

FIG. 3 is a front elevational view of the exercise device having caster-supported platform with resistance band catch of FIG. 1, the elevational views of the exercise device having caster-supported platform with resistance band catch rotated 120° and 240° from the front elevational view being an identical image thereof;

FIG. 4 is a rear elevational view of the exercise device having caster-supported platform with resistance band catch of FIG. 1, the elevational views of the exercise device having caster-supported platform with resistance band catch rotated 120° and 240° from the rear elevational view being an identical image thereof;

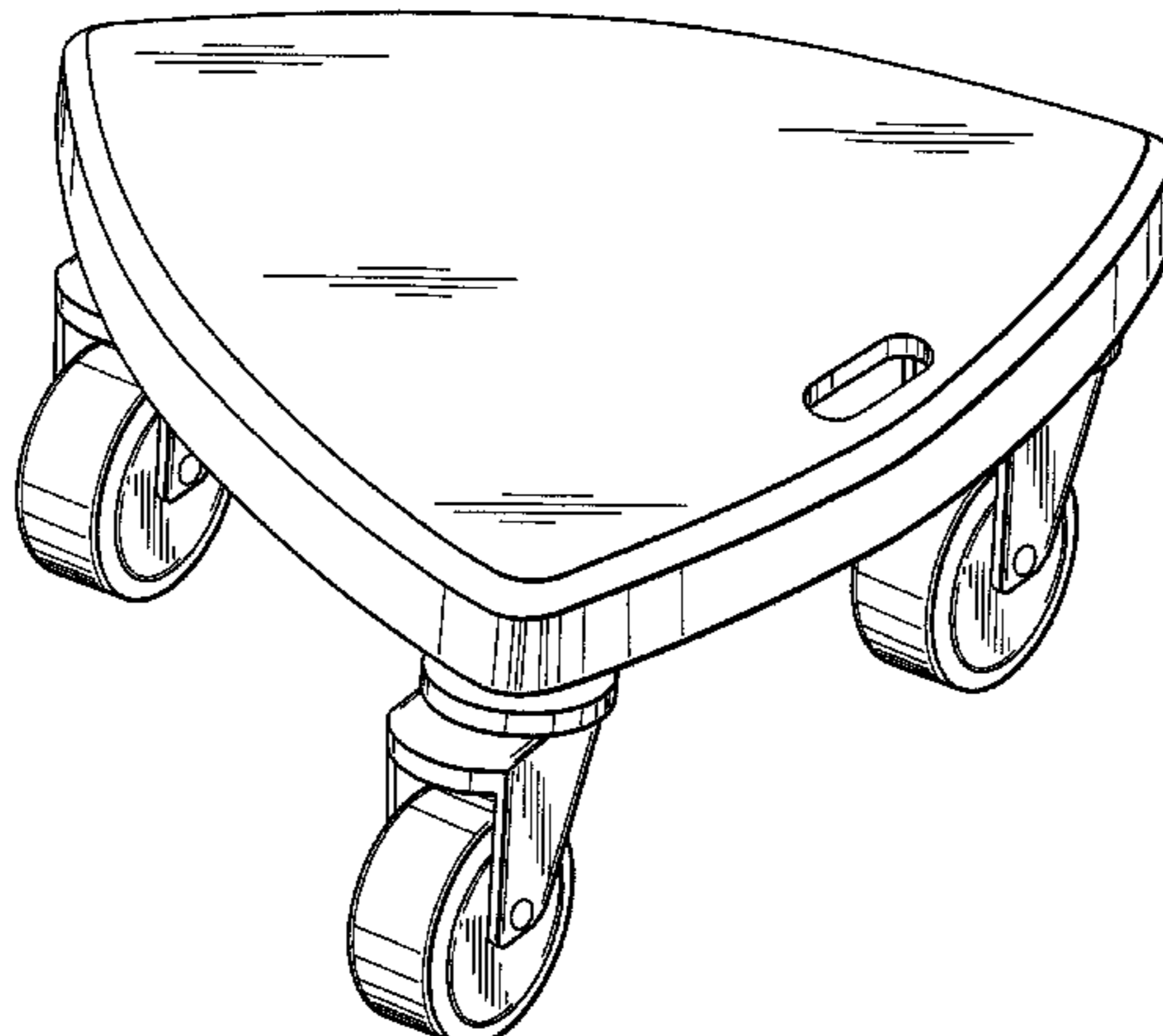
FIG. 5 is a left side elevational view of the exercise device having caster-supported platform with resistance band catch of FIG. 1, the right side elevational view being a mirror image thereof;

FIG. 6 is a perspective view of the exercise device having caster-supported platform with resistance band catch of FIG. 1 to which a resistance band is connected, the phantom showing of the resistance band forming no part of the claimed design; and,

FIG. 7 is a partial perspective view of the exercise device having caster-supported platform with resistance band catch of FIG. 2 showing a resistance band hooked on the resistance band catch, the phantom showing of the resistance band forming no part of the claimed design.

The broken lines in the drawings illustrate portions of the article that form no part of the claimed design.

**1 Claim, 5 Drawing Sheets**



(56)

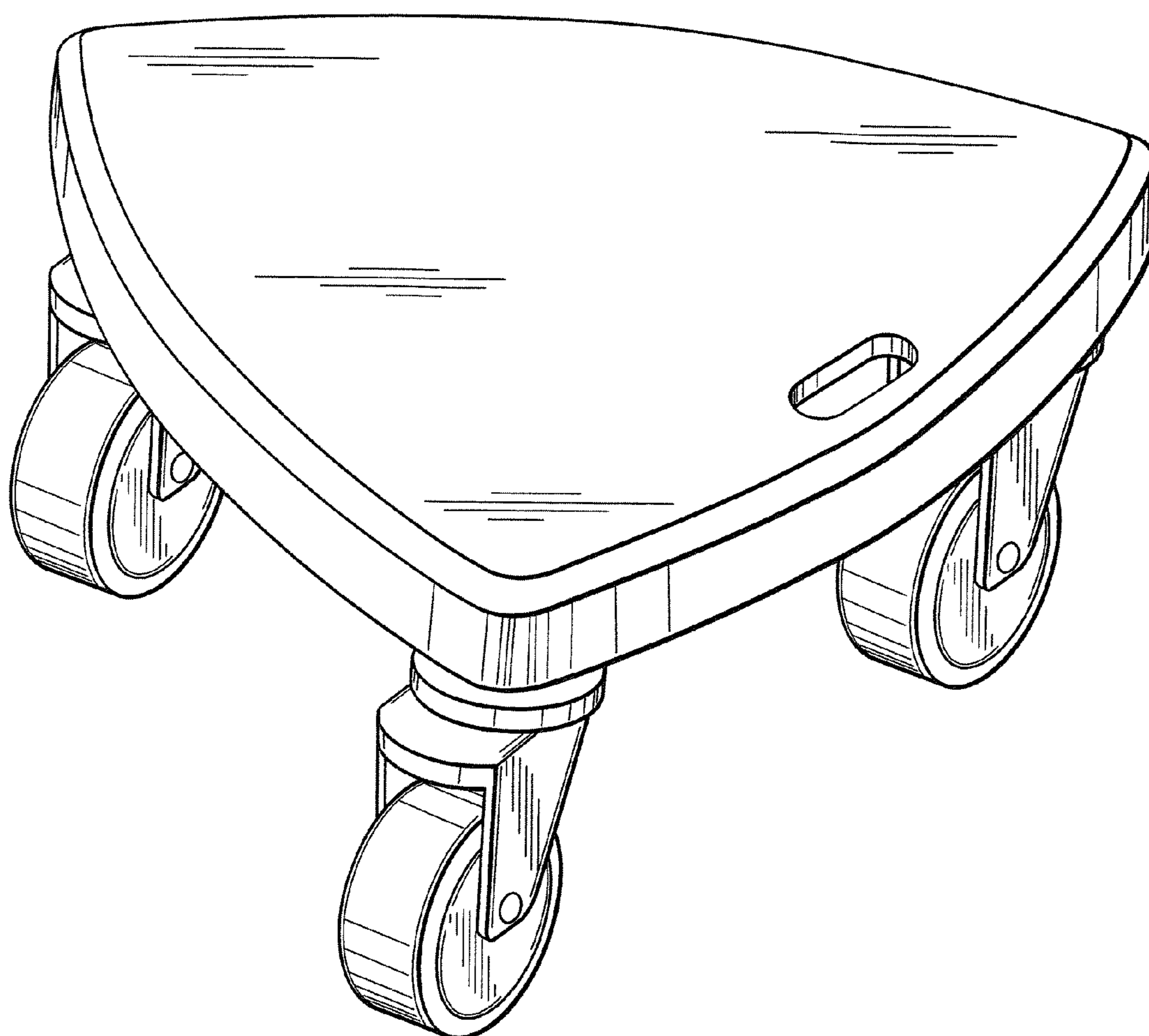
**References Cited**

U.S. PATENT DOCUMENTS

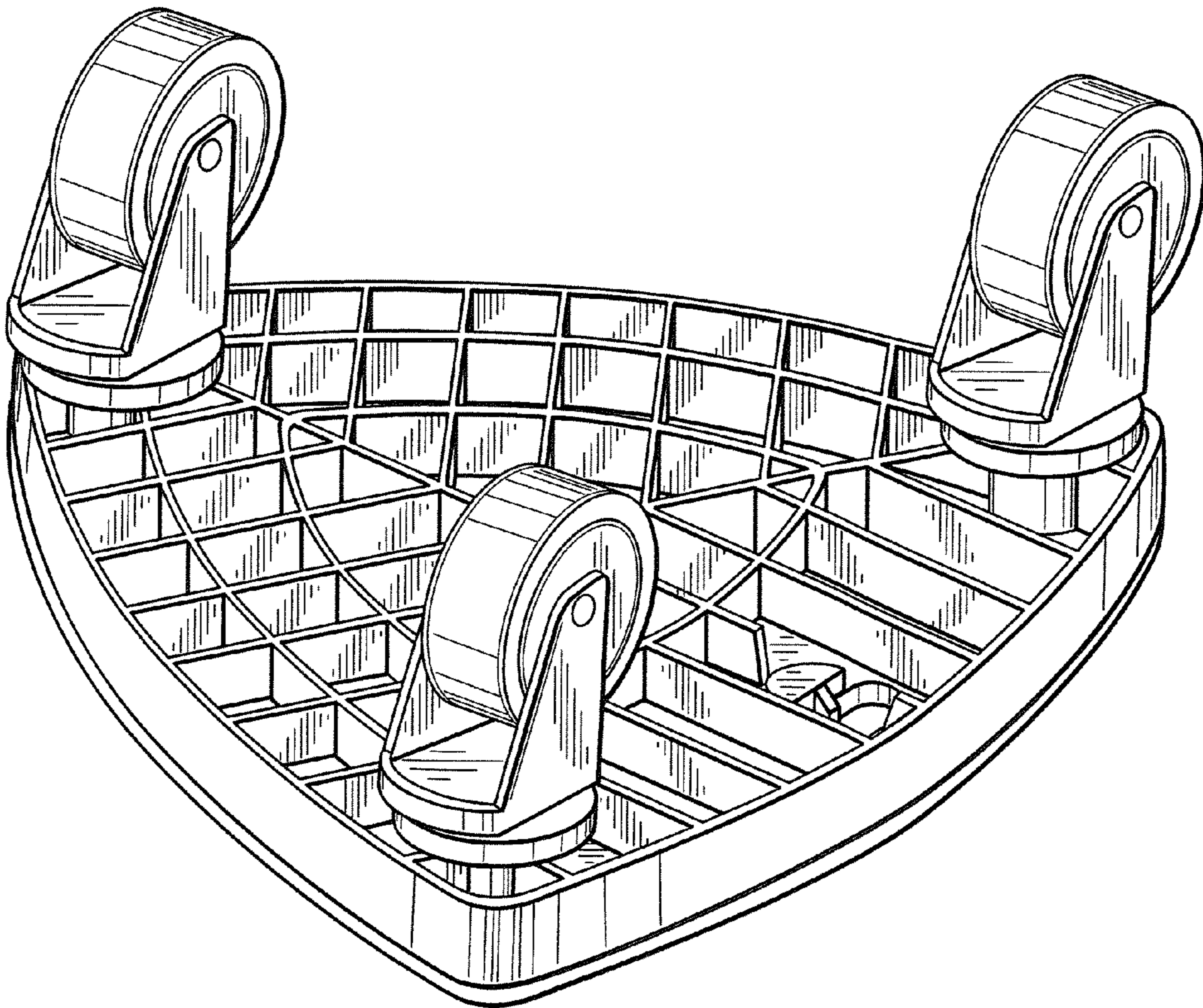
D309,811 S *	8/1990	Terrizzi .....	D34/23	D466,668 S *	12/2002	Peschmann .....	D34/23
D335,374 S *	5/1993	Schulze et al. ....	D34/23	D472,028 S *	3/2003	Stahl .....	D34/23
D349,995 S *	8/1994	Cassel et al. ....	D34/23	D472,358 S *	3/2003	Beese, Jr. ....	D34/23
D352,586 S *	11/1994	Baucom .....	D34/23	D549,920 S *	8/2007	Dukes .....	D34/23
D353,858 S *	12/1994	Huang .....	D21/689	D629,580 S *	12/2010	Kalajyan .....	D34/17
5,445,396 A	8/1995	Sebor		D682,374 S *	5/2013	Wilkinson .....	D21/686
D381,171 S *	7/1997	Culverson .....	D34/23	8,790,307 B2 *	7/2014	Amirouche et al. ....	604/151
D395,119 S *	6/1998	Berfield .....	D34/23	D717,377 S *	11/2014	Orenstein et al. ....	D21/419
5,823,549 A	10/1998	Morgan, Jr.		8,899,604 B2 *	12/2014	Orenstein et al. ....	280/200
				2011/0118088 A1 *	5/2011	Caya et al. ....	482/51
				2013/0023391 A1 *	1/2013	Nicholas .....	482/132

\* cited by examiner

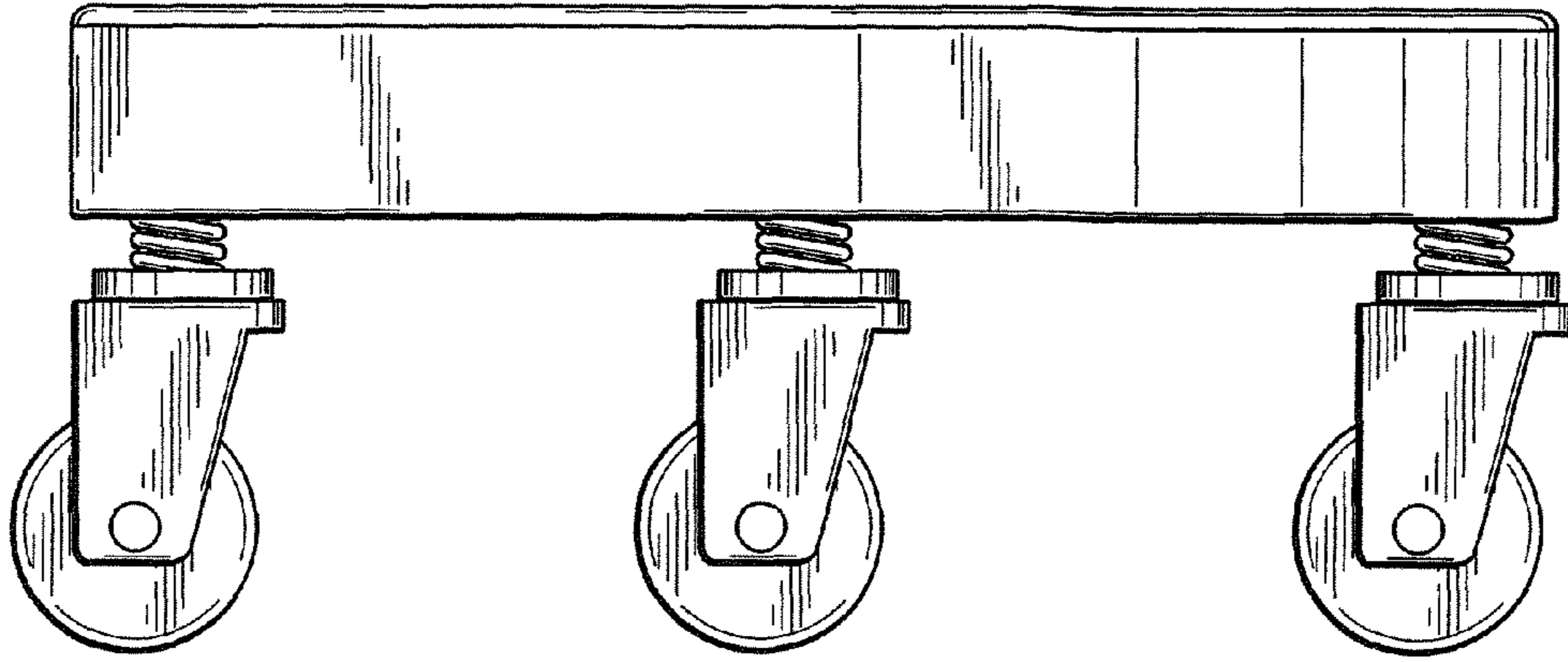
***FIG. 1***



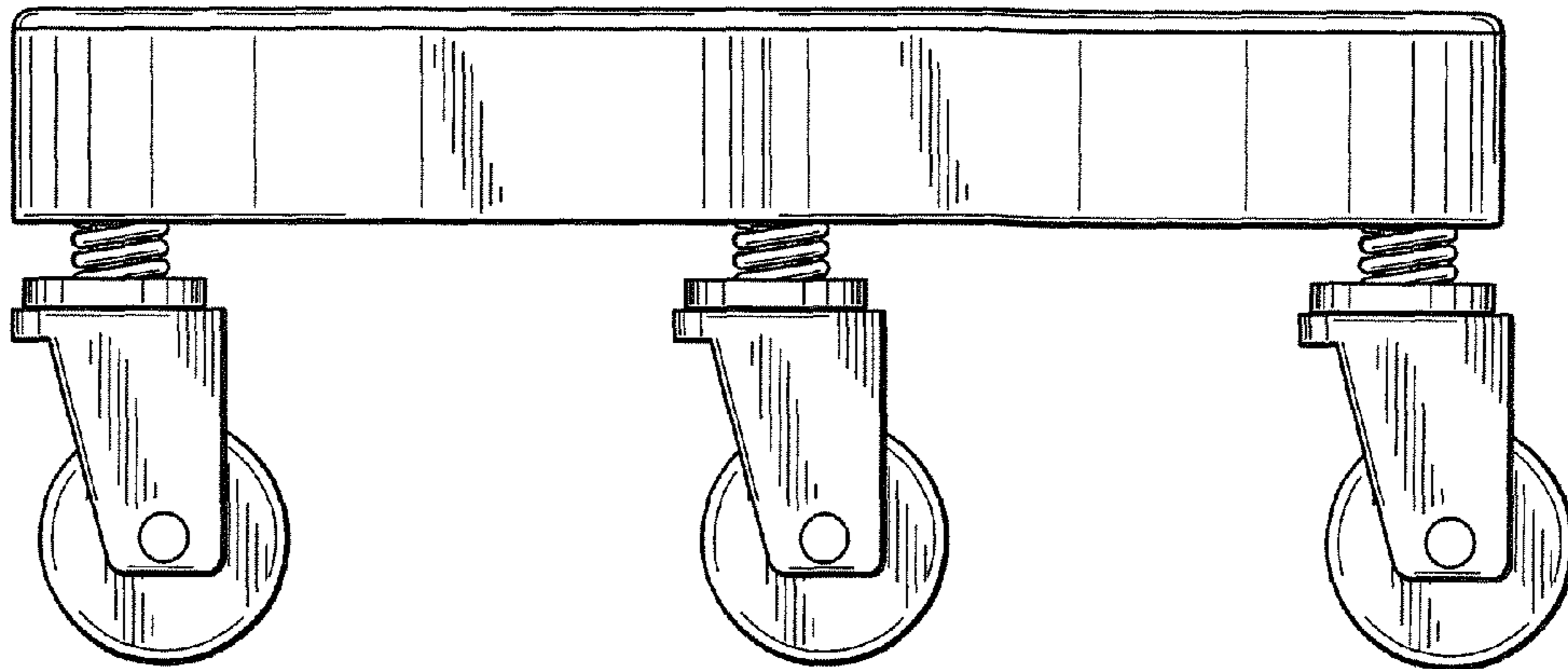
**FIG. 2**



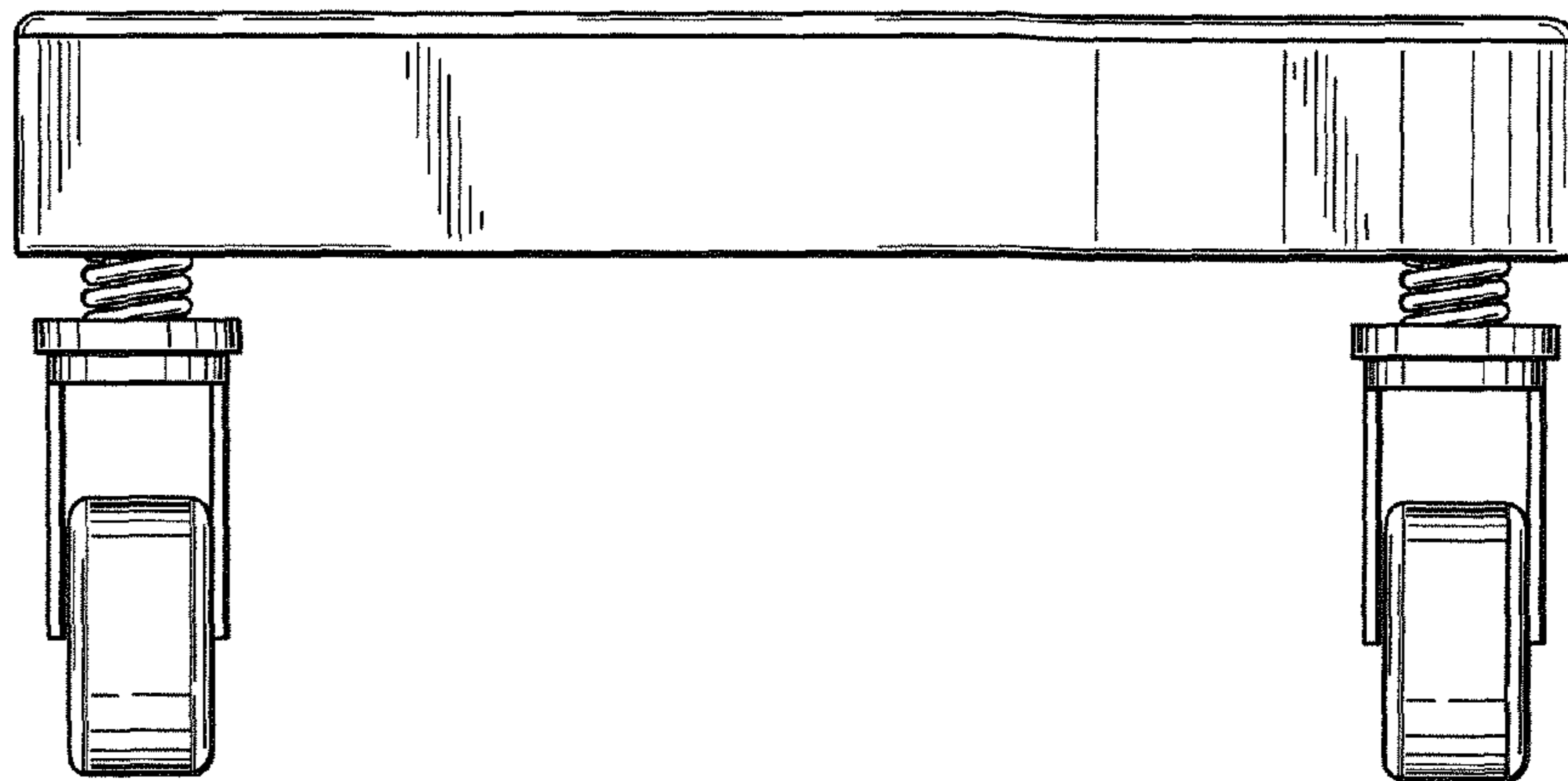
**FIG. 3**



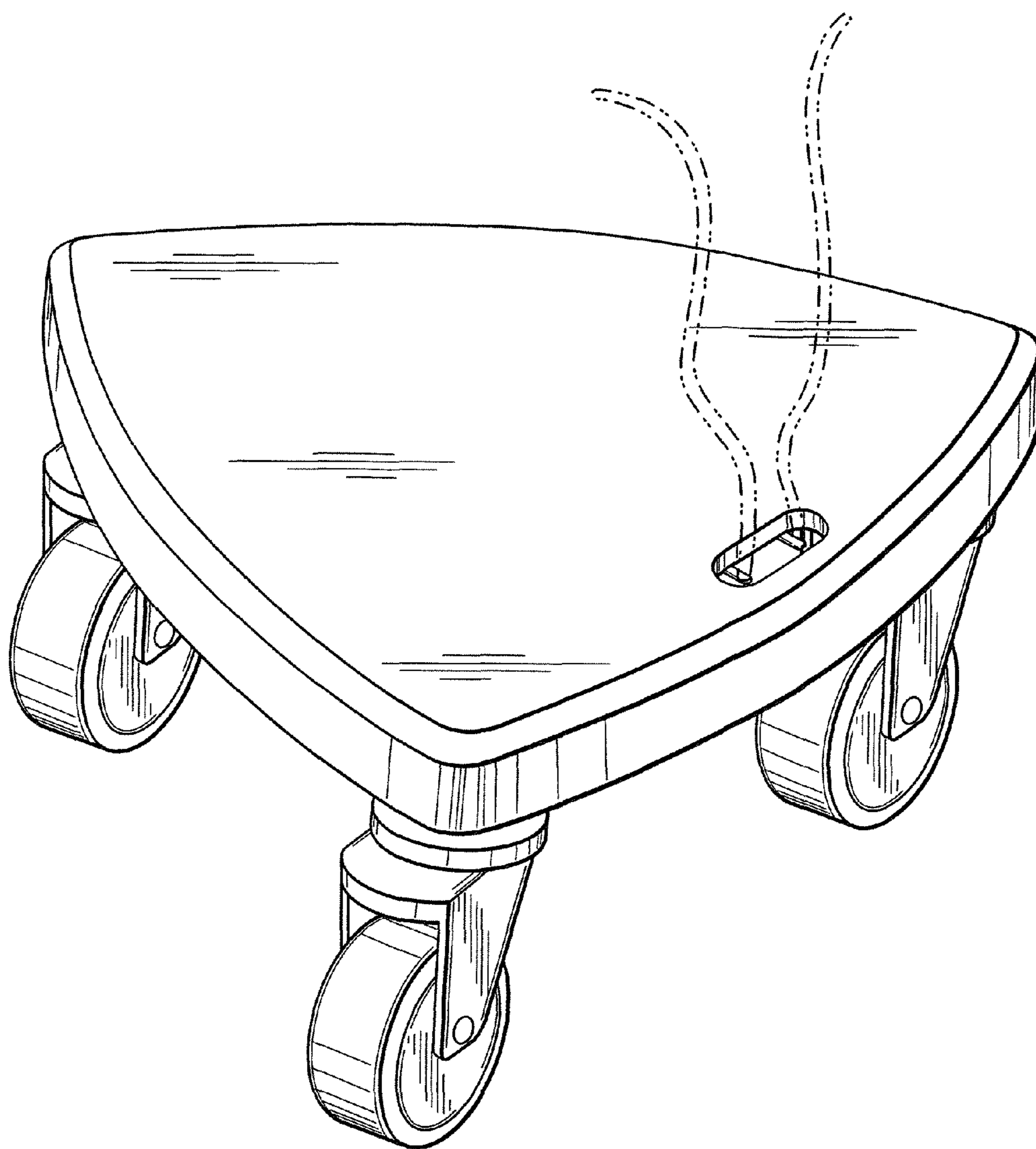
**FIG. 4**



**FIG. 5**



**FIG. 6**



**FIG. 7**

