



US00D739481S

(12) **United States Design Patent**
Glickfield

(10) **Patent No.:** **US D739,481 S**

(45) **Date of Patent:** **** Sep. 22, 2015**

(54) **PRESS BENCH**

(71) Applicant: **Adam Sloan Glickfield**, Miami Beach,
FL (US)

(72) Inventor: **Adam Sloan Glickfield**, Miami Beach,
FL (US)

(**) Term: **14 Years**

(21) Appl. No.: **29/502,691**

(22) Filed: **Sep. 18, 2014**

(51) **LOC (10) Cl.** **21-02**

(52) **U.S. Cl.**
USPC **D21/671**

(58) **Field of Classification Search**

USPC D21/797, 694, 671, 686, 698, 699, 680,
D21/685, 692, 662, 687, 689, 318, 688, 412,
D21/333, 683, 798; D19/37, 64, 59;
D8/330, 1, 16; D9/624, 629;
D14/417.496; 15/104.93, 105, 118,
15/229.11, 208; D25/139, 155, 62, 65;
D6/349, 582, 592, 335, 350, 583, 588,
D6/585; 99/472, 467; D34/23, 1; 297/461,
297/223, 423.41; 269/289 R, 13, 15, 14;
206/501, 514, 4.27, 8; 156/250, 256,
156/272.8, 308.2, 330, 60, 213; 248/678;
D7/698, 699, 629, 388; 220/4.26;
217/3 R; D24/190, 191, 192, 167;
D17/99; D3/294, 282, 905; D30/118;
182/33; D99/17, 1; 428/122; 451/534,
451/539; 482/142, 52, 51, 30, 74, 91, 140,
482/25, 94; 446/117, 69; 473/278
CPC A63B 22/001; A63B 22/0664; A63B
23/0211; A63B 21/225; A63B 2022/067;
A63B 22/0015; A63B 2208/0204; A63B
2208/0233

See application file for complete search history.

(56) **References Cited**

U.S. PATENT DOCUMENTS

2,124,123 A * 7/1938 Rosengarten 473/278
2,606,598 A * 8/1952 Smith 267/145
D328,573 S * 8/1992 Berry D11/157

D330,057 S * 10/1992 Saunders et al. D21/671
D330,234 S * 10/1992 Saunders et al. D21/671
D330,235 S * 10/1992 Traetta et al. D21/671
5,158,512 A * 10/1992 Irwin et al. 482/52
D337,362 S * 7/1993 Goldstein et al. D21/671
D342,298 S * 12/1993 Schnabel et al. D21/671
D353,636 S * 12/1994 Le Roux D21/671
D355,988 S * 3/1995 Brooking D6/382
5,579,864 A * 12/1996 Shorrock 182/113
D385,262 S * 10/1997 Hughes D14/417
D413,989 S * 9/1999 Dupont D25/62
6,117,051 A * 9/2000 Suarez et al. 482/51
D435,672 S * 12/2000 Hampel D25/139
D477,767 S * 7/2003 Burdett et al. D8/330
D498,654 S * 11/2004 Smith D8/91
D529,960 S * 10/2006 Cox D19/37
7,601,101 B2 * 10/2009 Jackson et al. 482/52
D619,669 S * 7/2010 Mesirov D21/797
D659,776 S * 5/2012 Zydiak D21/688
D674,226 S * 1/2013 Greenwald D6/582
8,348,812 B2 * 1/2013 Elpers 482/52
D704,858 S * 5/2014 Green D25/62
2011/0256987 A1 * 10/2011 Lepore 482/52
2013/0023392 A1 * 1/2013 Glickfield 482/142
2014/0051553 A1 * 2/2014 Hetzel 482/52

* cited by examiner

Primary Examiner — Robert M Spear

Assistant Examiner — Ryan Harvey

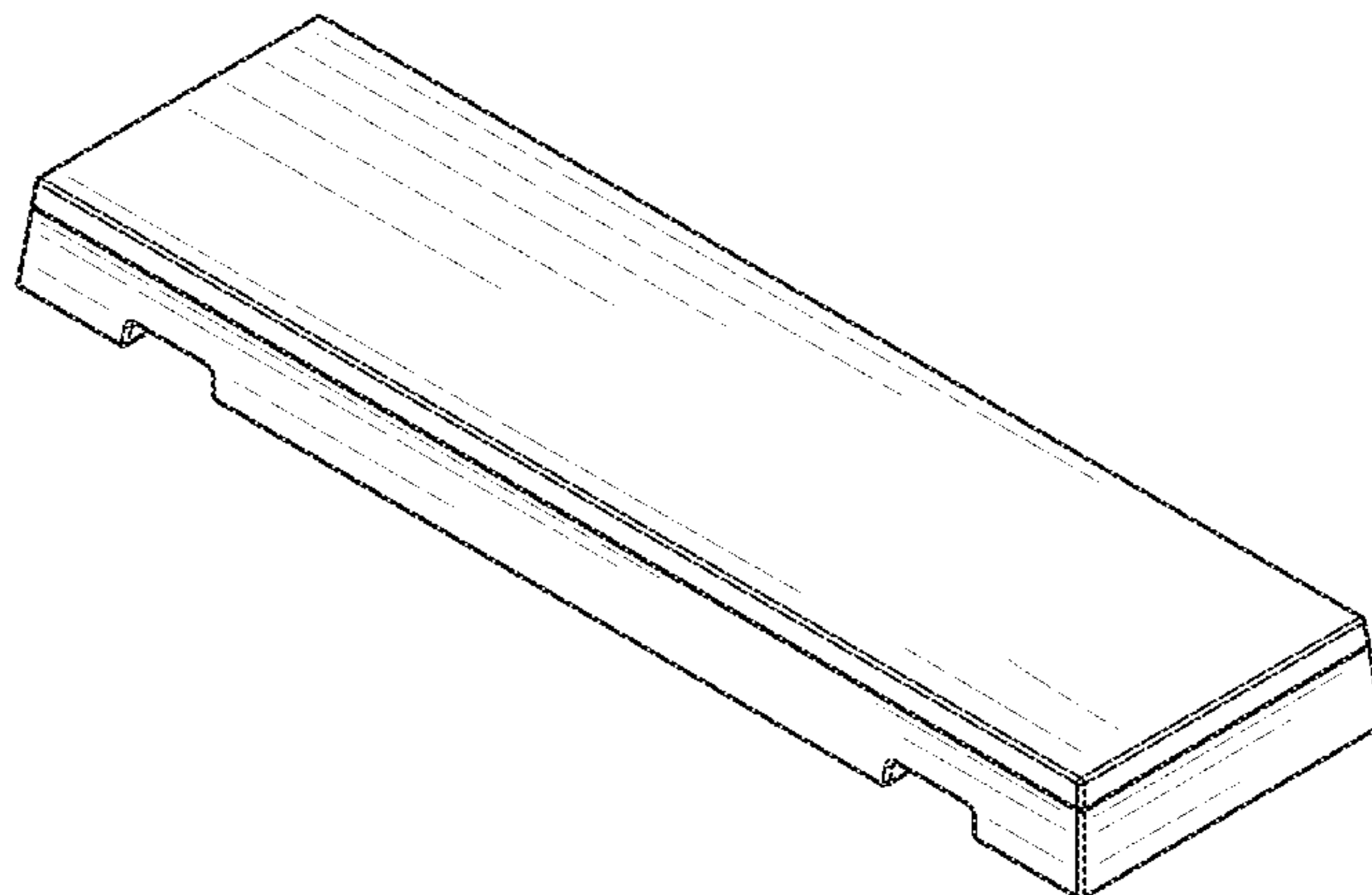
(57) **CLAIM**

The ornamental design for a press bench, as shown and described.

DESCRIPTION

FIG. 1 is a perspective view of the press block;
FIG. 2 is a front elevational view thereof;
FIG. 3 is a rear elevational view thereof;
FIG. 4 is a left-side elevational view thereof;
FIG. 5 is a right-side elevational view thereof;
FIG. 6 is a top plan view thereof; and,
FIG. 7 is a bottom plan view thereof.
The broken lines illustrate portions of the article that form no part of the claimed design.

1 Claim, 7 Drawing Sheets



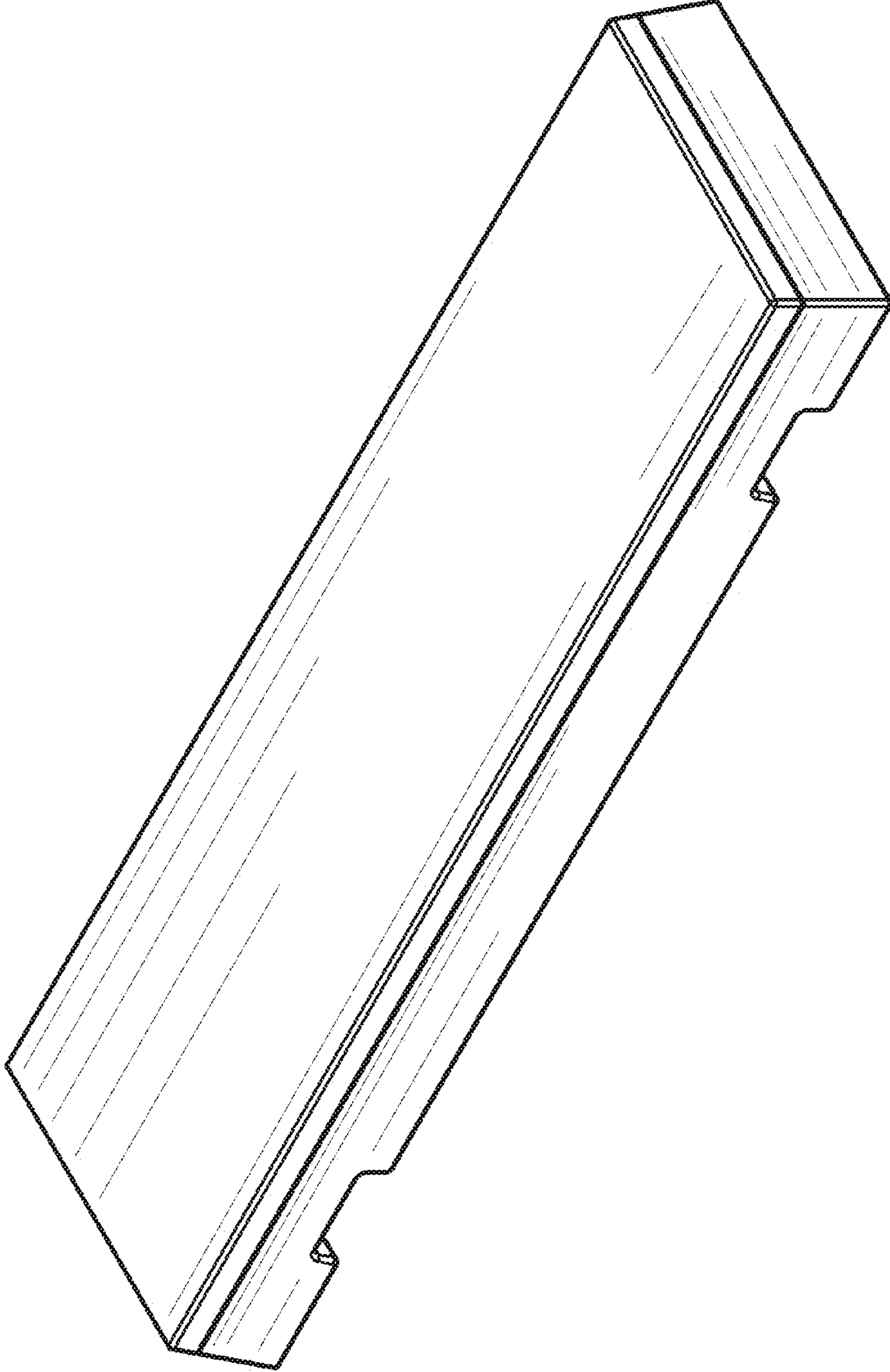


FIG. 1

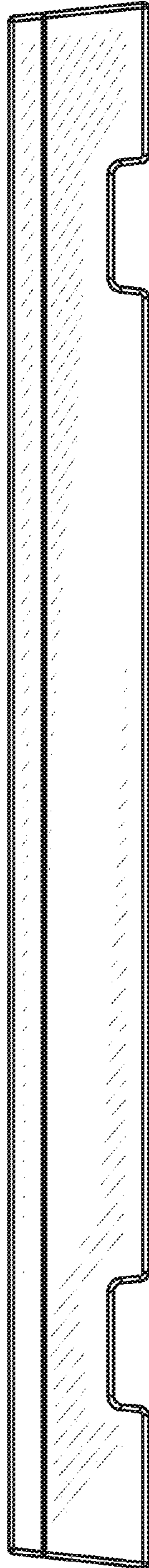


FIG. 2

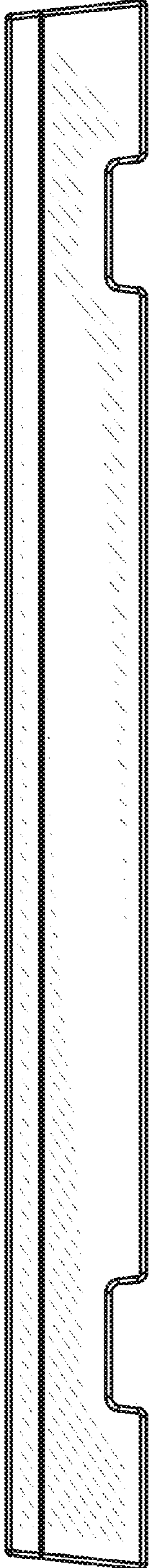


FIG. 3

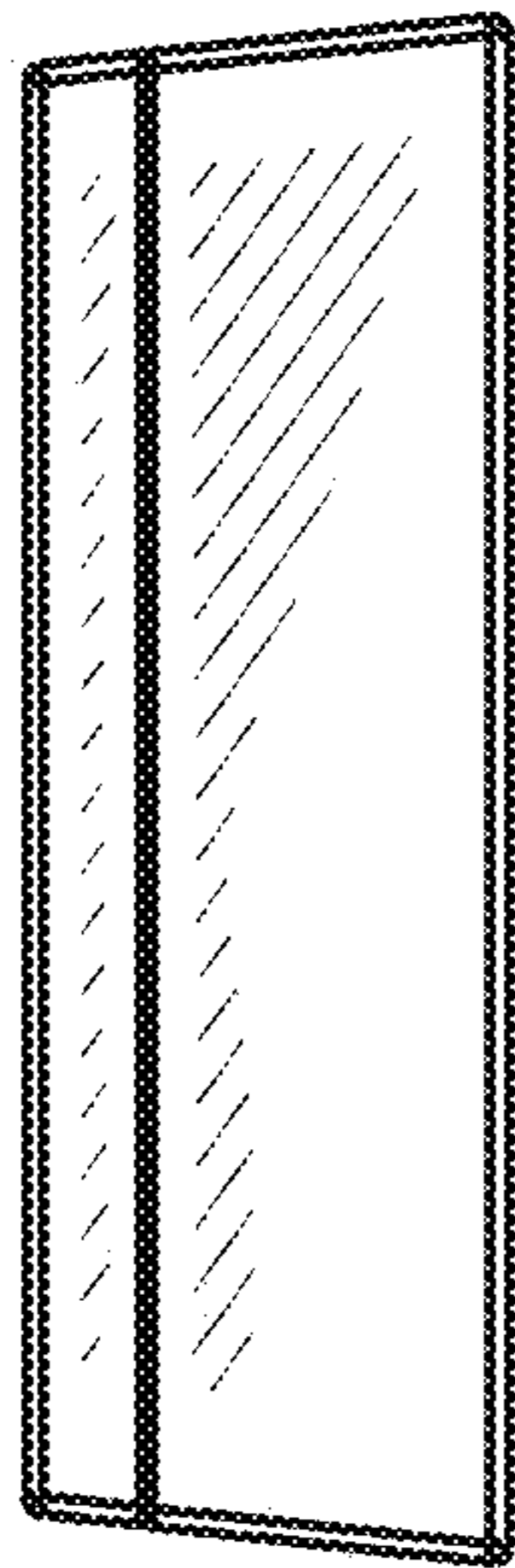


FIG. 4

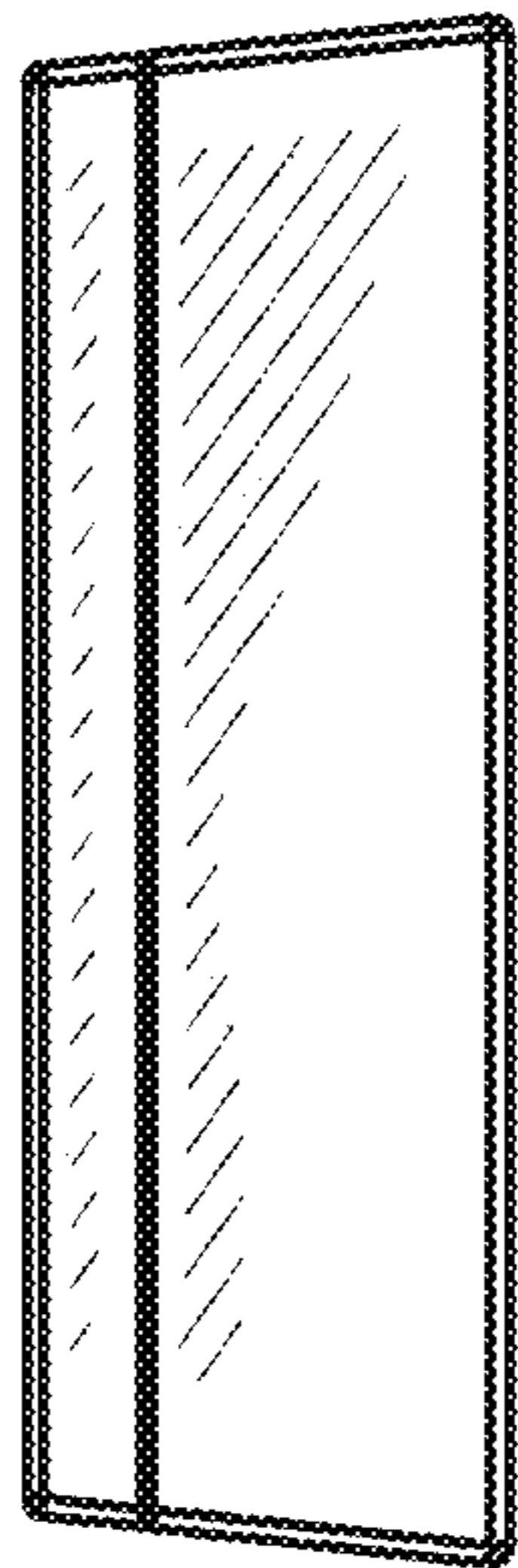


FIG. 5

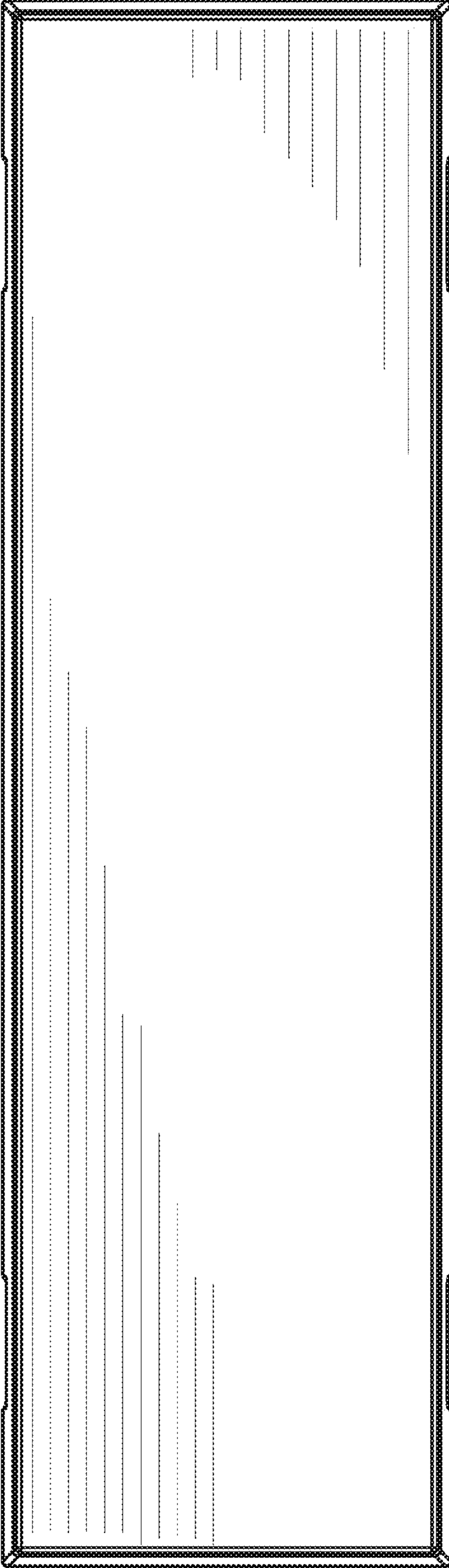


FIG. 6

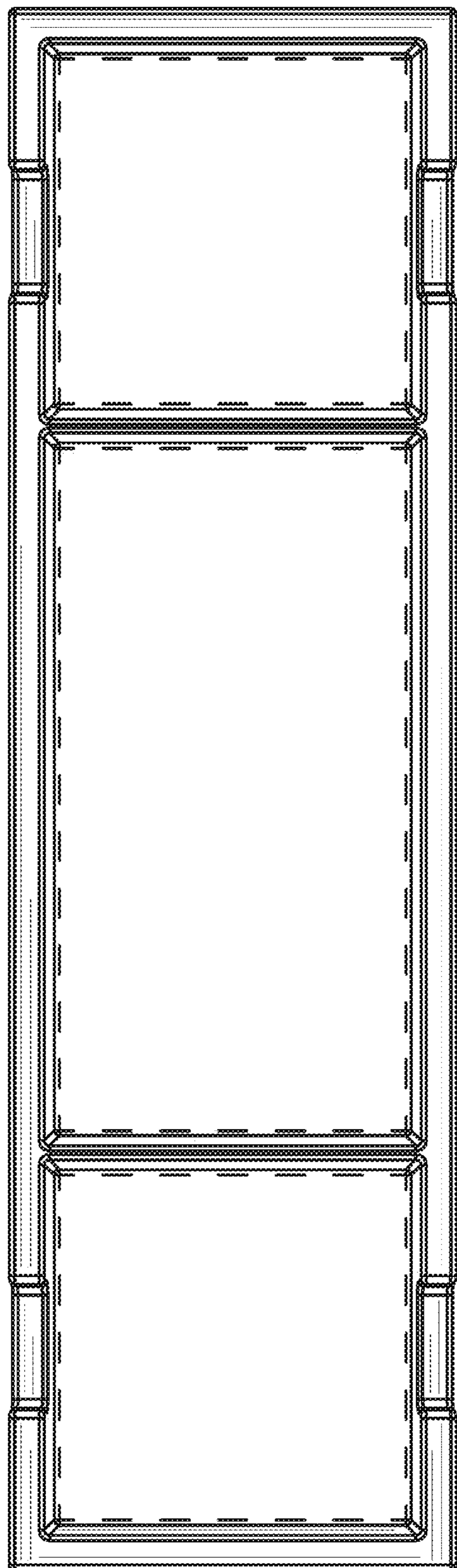


FIG. 7