



US00D739478S

(12) **United States Design Patent**
Yang

(10) **Patent No.:** **US D739,478 S**

(45) **Date of Patent:** **** Sep. 22, 2015**

(54) **TOY GUN**

(71) Applicant: **Xu Bo Yang**, Sheung Wan (HK)

(72) Inventor: **Xu Bo Yang**, Sheung Wan (HK)

(**) Term: **14 Years**

(21) Appl. No.: **29/468,366**

(22) Filed: **Sep. 30, 2013**

(30) **Foreign Application Priority Data**

Apr. 30, 2013 (HK) 1300716.4M003

(51) **LOC (10) CL.** **21-01**

(52) **U.S. CL.**
USPC **D21/570**

(58) **Field of Classification Search**
USPC D21/333, 401, 461, 514, 567, 568,
D21/570-575; D22/100, 101, 103, 104,
D22/105, 108-110; D14/418; 446/23, 182,
446/192, 401, 403, 405-407, 473, 475;
124/16, 26, 27, 28, 29, 54, 66, 73-77,
124/82; 222/78, 79; 42/54, 57, 58, 71.01,
42/72, 75.03, 105, 124
CPC F41A 3/66; F41A 11/00; F41A 11/02
See application file for complete search history.

(56) **References Cited**

U.S. PATENT DOCUMENTS

D367,685 S * 3/1996 Luk D21/572
D523,096 S * 6/2006 Pflaumer et al. D21/573
D584,373 S * 1/2009 Young D22/103

D606,614 S * 12/2009 Fitzpatrick et al. D22/103
D610,218 S * 2/2010 Barrett D22/103
D629,062 S * 12/2010 Peterson et al. D22/103
D641,825 S * 7/2011 Gridelet D22/103
D645,532 S * 9/2011 Peterson et al. D22/103
D662,152 S * 6/2012 Markowitz et al. D21/573
D665,037 S * 8/2012 Mead D21/573
D670,783 S * 11/2012 Barrett D22/103
D674,027 S * 1/2013 Reinagel D21/573
8,769,854 B1 * 7/2014 Battaglia 42/75.03

* cited by examiner

Primary Examiner — Cynthia M Chin

(74) *Attorney, Agent, or Firm* — Wendy K. Marsh

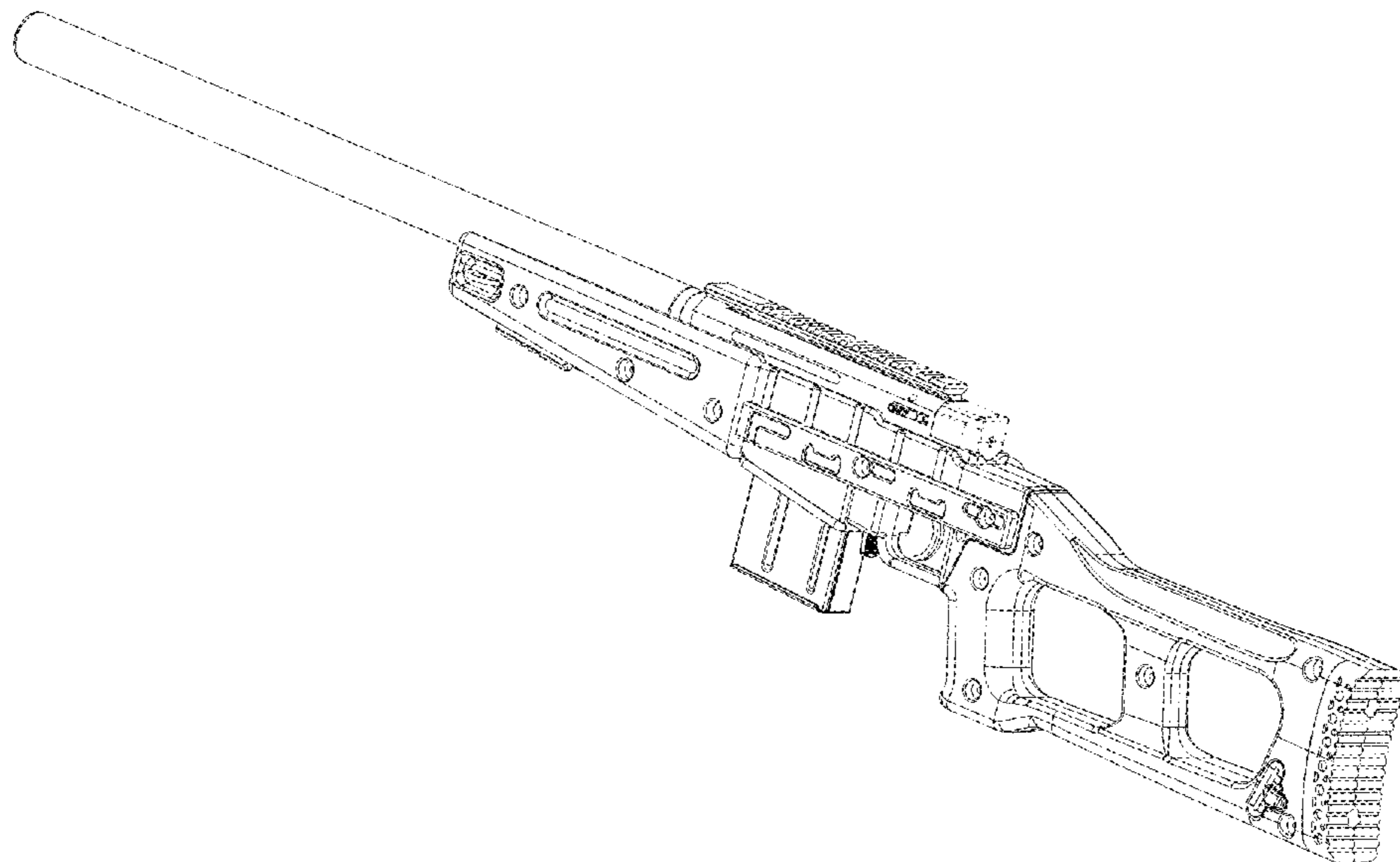
(57) **CLAIM**

I claim the ornamental design for a toy gun, as shown and described.

DESCRIPTION

FIG. 1 is a perspective view of the toy gun according to the present invention.
FIG. 2 is a side elevational view of the toy gun according to the present invention.
FIG. 3 is an alternate side elevational view of the toy gun according to the present invention.
FIG. 4 is a top plan view of the toy gun according to the present invention.
FIG. 5 is a bottom plan view of the toy gun according to the present invention.
FIG. 6 is a rear view of the toy gun according to the present invention; and,
FIG. 7 is a top view of the toy gun according to the present invention.

1 Claim, 4 Drawing Sheets



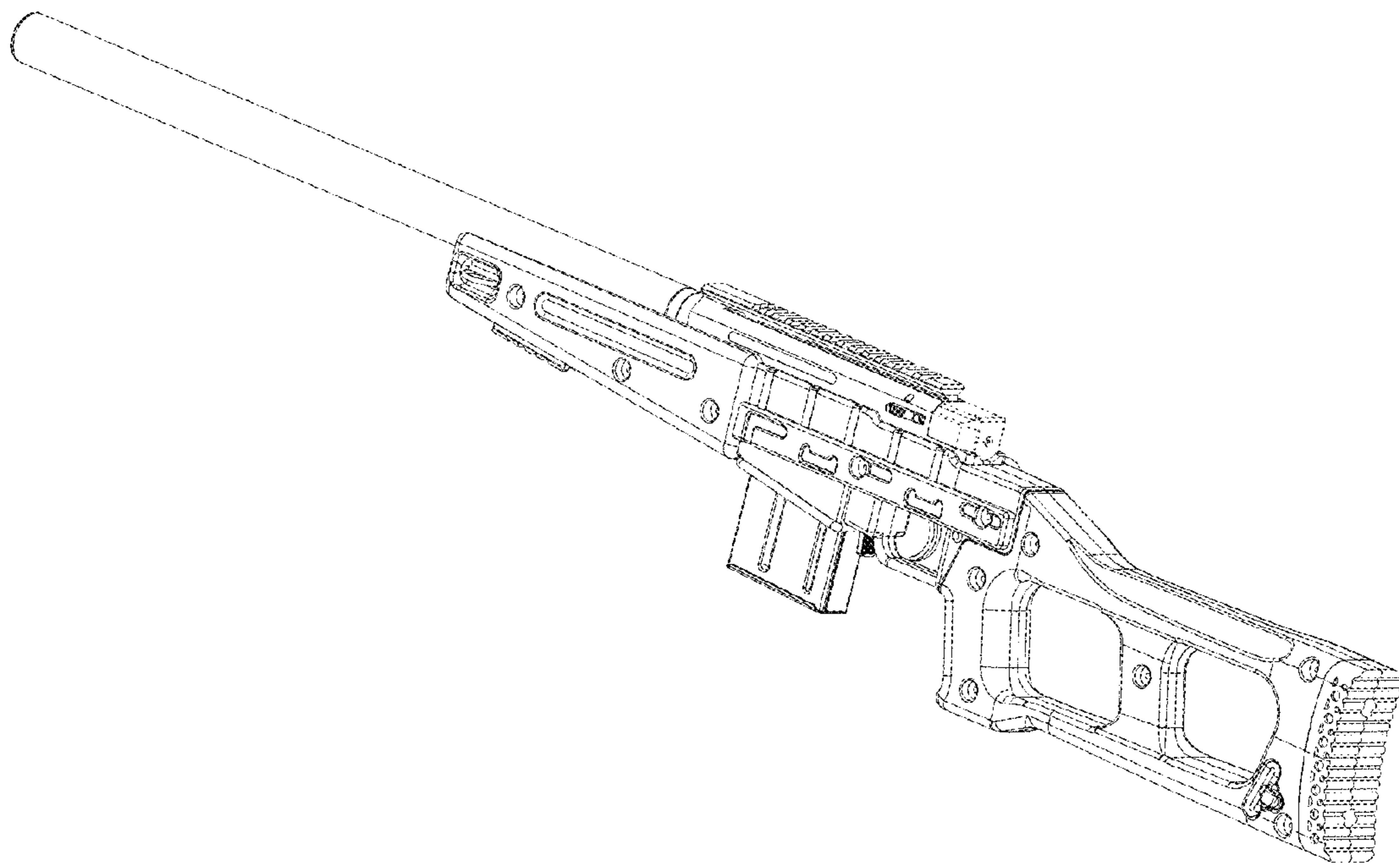


Fig. 1

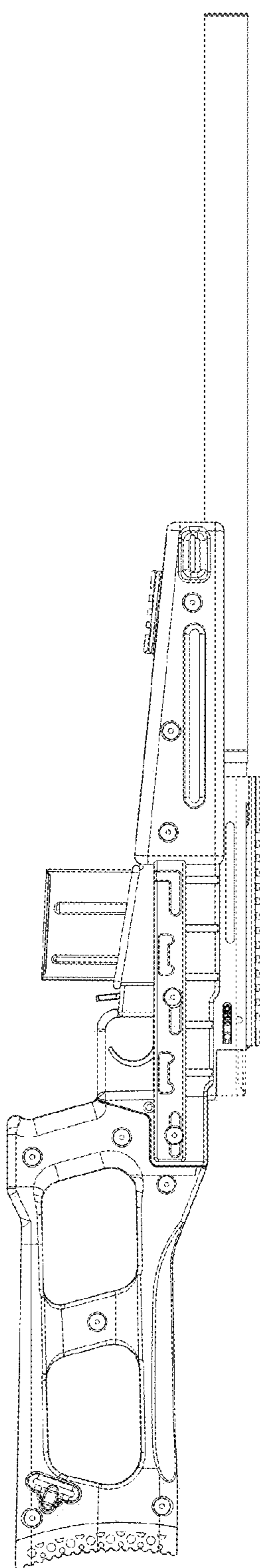


Fig. 2

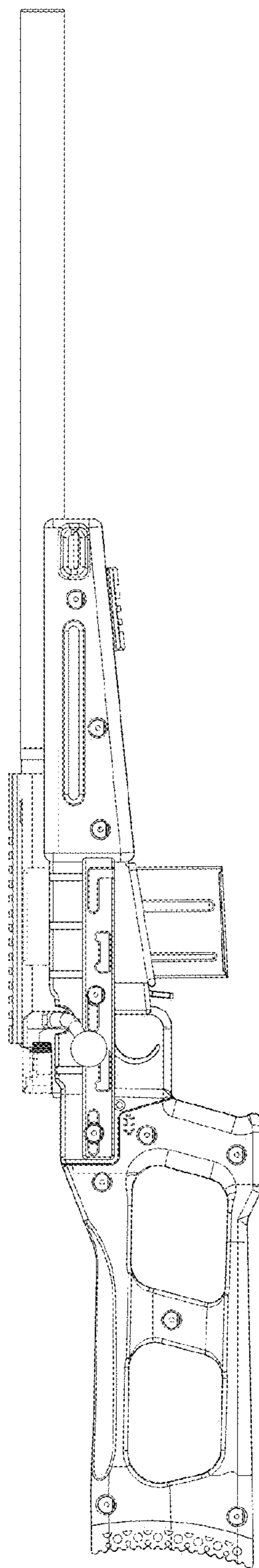


Fig. 3

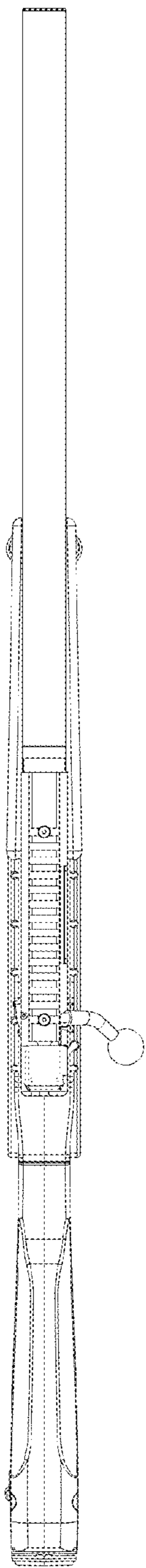


Fig. 4

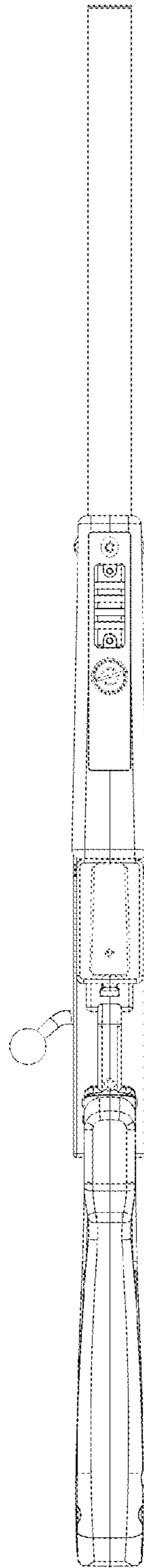


Fig. 5

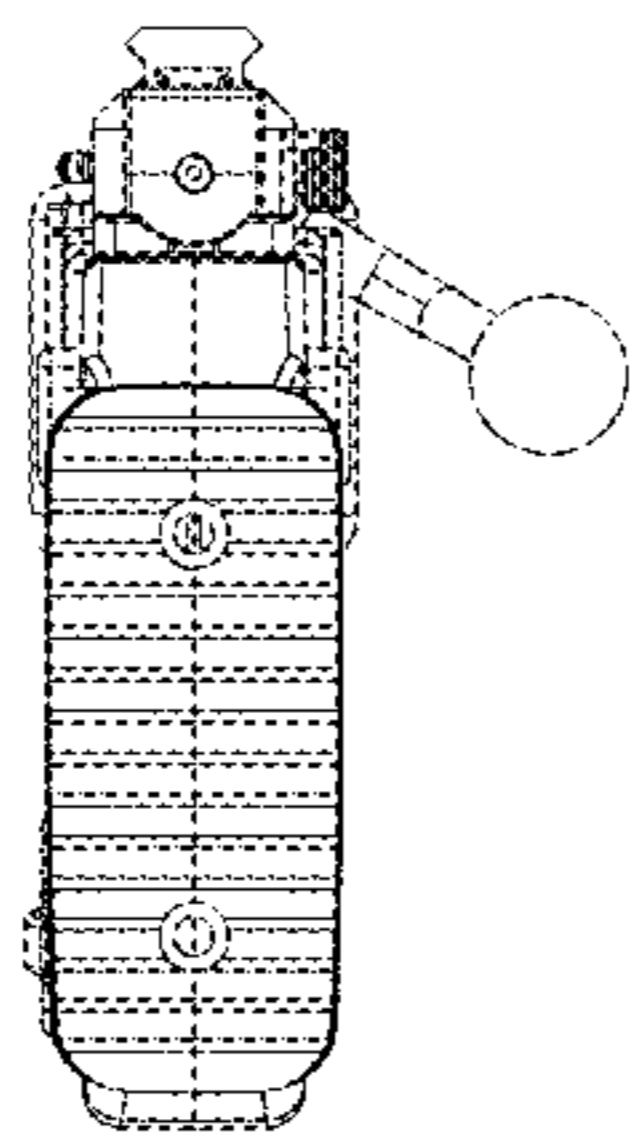


Fig. 6

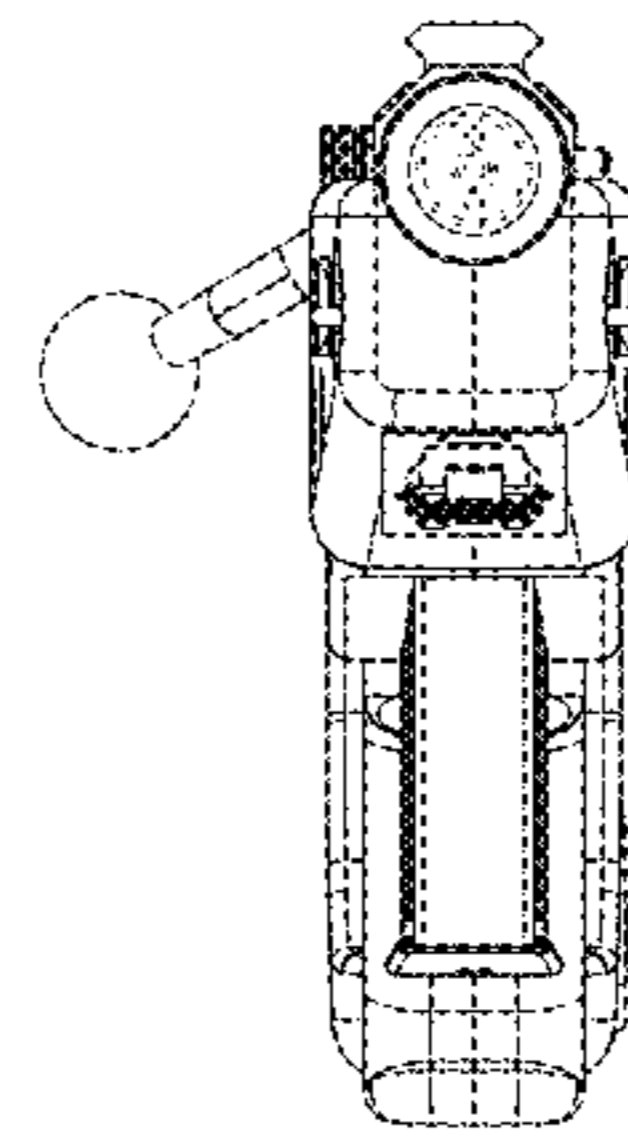


Fig. 7