



US00D739475S

(12) **United States Design Patent**  
**Reed et al.**

(10) **Patent No.:** **US D739,475 S**  
(45) **Date of Patent:** **\*\* Sep. 22, 2015**

(54) **PACKABLE PAIL**

(71) Applicants: **Melissa Margaret Reed**, Ely, IA (US);  
**Thomas P. Reed**, Ely, IA (US)

(72) Inventors: **Melissa Margaret Reed**, Ely, IA (US);  
**Thomas P. Reed**, Ely, IA (US)

(\*\*) Term: **14 Years**

(21) Appl. No.: **29/489,898**

(22) Filed: **May 5, 2014**

(51) **LOC (10) Cl.** ..... **21-01**

(52) **U.S. Cl.**

USPC ..... **D21/472**

(58) **Field of Classification Search**

USPC ..... D21/472, 532; D32/29, 30, 37, 53,  
D32/53.1; D34/1, 2; D3/304-314; D11/143,  
D11/144, 148, 155; D9/715, 718, 737, 502,  
D9/520, 557, 560, 562, 570, 414, 424, 425,  
D9/430, 431, 432, 907; D7/500, 512, 540,  
D7/584, 601, 602, 603, 615, 621, 622, 709,  
D7/630; D15/90, 135, 136; D24/121-123,  
D24/224; 446/70, 73, 75, 424, 487; 220/8,  
220/495.02, 605, 606, 607, 608, 633, 635,  
220/666, 672, 904

CPC ..... A63H 33/001; A63H 33/32; B65D 11/10;  
B65D 11/1873; B65D 1/32; B65D 21/08;  
B65D 21/086; A47J 47/18; A45C 7/0031;  
A45C 7/0036; A45F 3/20; A45F 2003/205

See application file for complete search history.

(56) **References Cited**

**U.S. PATENT DOCUMENTS**

879,753 A \* 2/1908 Eckert ..... 220/8  
1,424,099 A \* 7/1922 Hunt ..... 220/8  
1,724,743 A \* 8/1929 Allen ..... 220/8  
D174,127 S \* 3/1955 Kove ..... D21/472

2,880,902 A \* 4/1959 Owsen ..... 220/8  
3,561,155 A \* 2/1971 Tarrson ..... 446/70  
D220,048 S \* 3/1971 Reading ..... D21/472  
3,665,832 A \* 5/1972 Harvey ..... 396/349  
D255,404 S \* 6/1980 Podjan ..... D6/513  
D271,988 S \* 12/1983 Rivollet ..... D21/472  
5,236,340 A \* 8/1993 Hall et al. .... 220/606  
D340,204 S \* 10/1993 Grosfillex ..... D11/155  
D349,944 S \* 8/1994 Harris ..... D23/202  
D374,043 S \* 9/1996 Ryaa et al. .... D21/483  
D424,768 S \* 5/2000 Tsou ..... D32/53  
D547,177 S \* 7/2007 Sherman et al. .... D9/425  
D579,375 S \* 10/2008 White ..... D11/155  
7,654,402 B2 \* 2/2010 Kusuma et al. .... 220/8  
D631,783 S \* 2/2011 White ..... D11/155  
D649,727 S \* 11/2011 Memory et al. .... D34/1  
D706,364 S \* 6/2014 Cherny ..... D21/532  
D707,495 S \* 6/2014 Shirley et al. .... D7/602  
2009/0202684 A1 \* 8/2009 Willemssen et al. .... 426/110  
2013/0032591 A1 \* 2/2013 Moran ..... 220/8

\* cited by examiner

*Primary Examiner* — Catherine Tuttle

(57) **CLAIM**

The ornamental design for a packable pail, as shown and described.

**DESCRIPTION**

FIG. 1 is a top front perspective view of the packable pail showing our new design in use;  
FIG. 2 is a top front perspective view showing the design in a collapsed, packable configuration;  
FIG. 3 is a front elevation view of FIG. 1, the rear and side elevation views being identical thereto;  
FIG. 4 is a top plan view thereof; and,  
FIG. 5 is a bottom plan view thereof.  
The arm shown in FIG. 1 is shown in broken lines for illustrative purposes only and forms no part of the claimed design.  
The sand shown in FIG. 1 is shown for illustrative purposes only and forms no part of the claimed design.

**1 Claim, 3 Drawing Sheets**

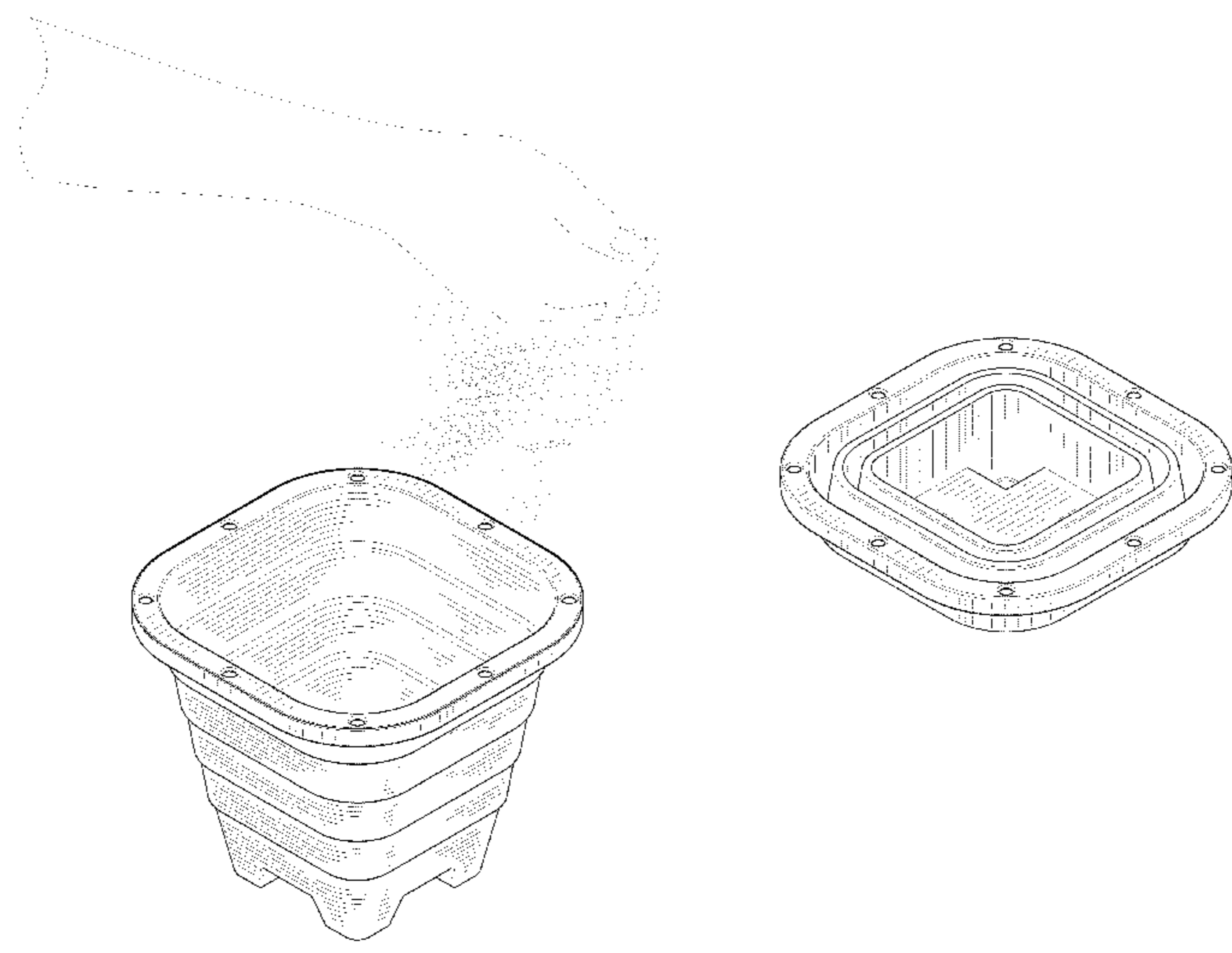




FIG. 1

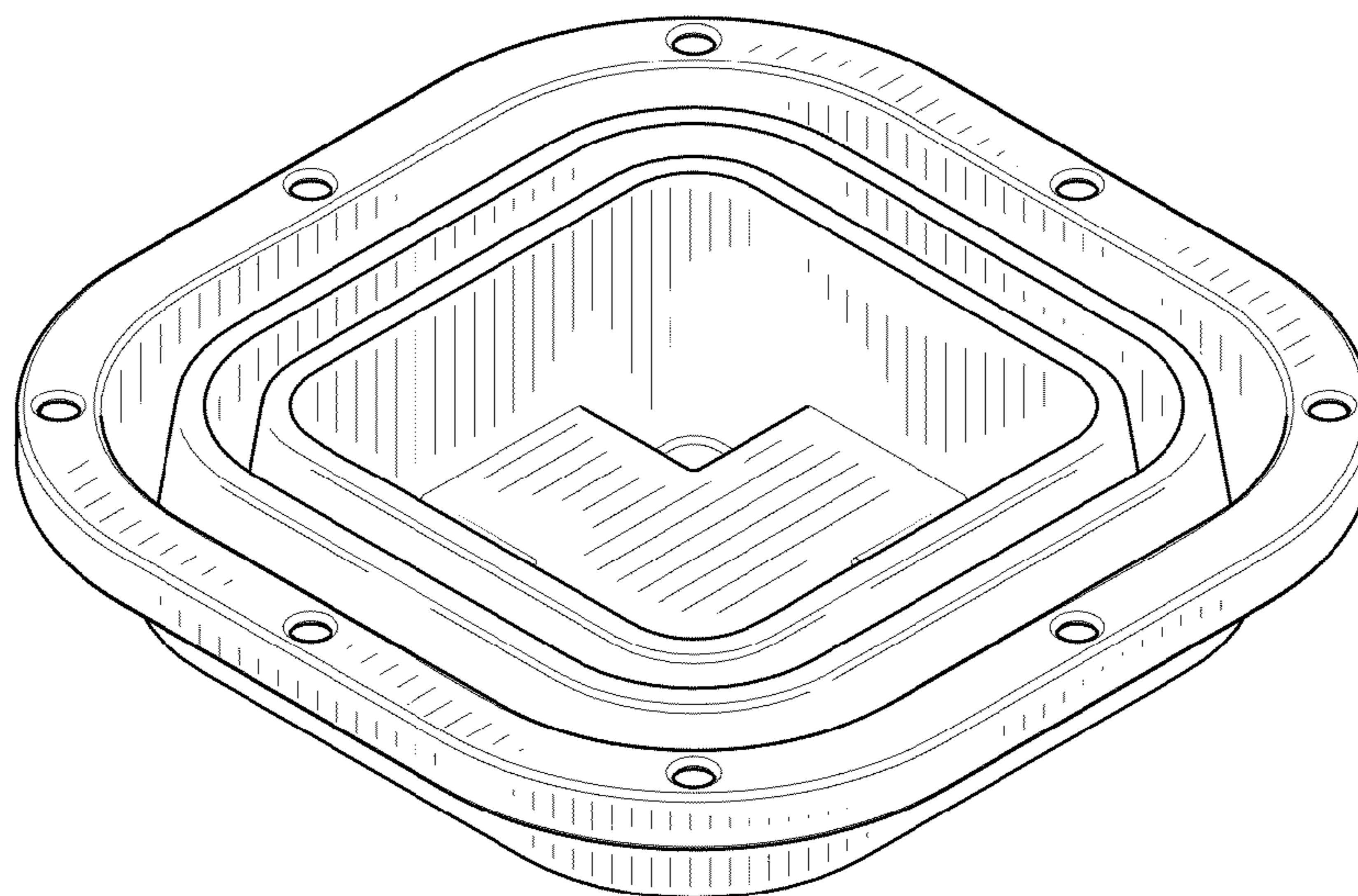


FIG. 2

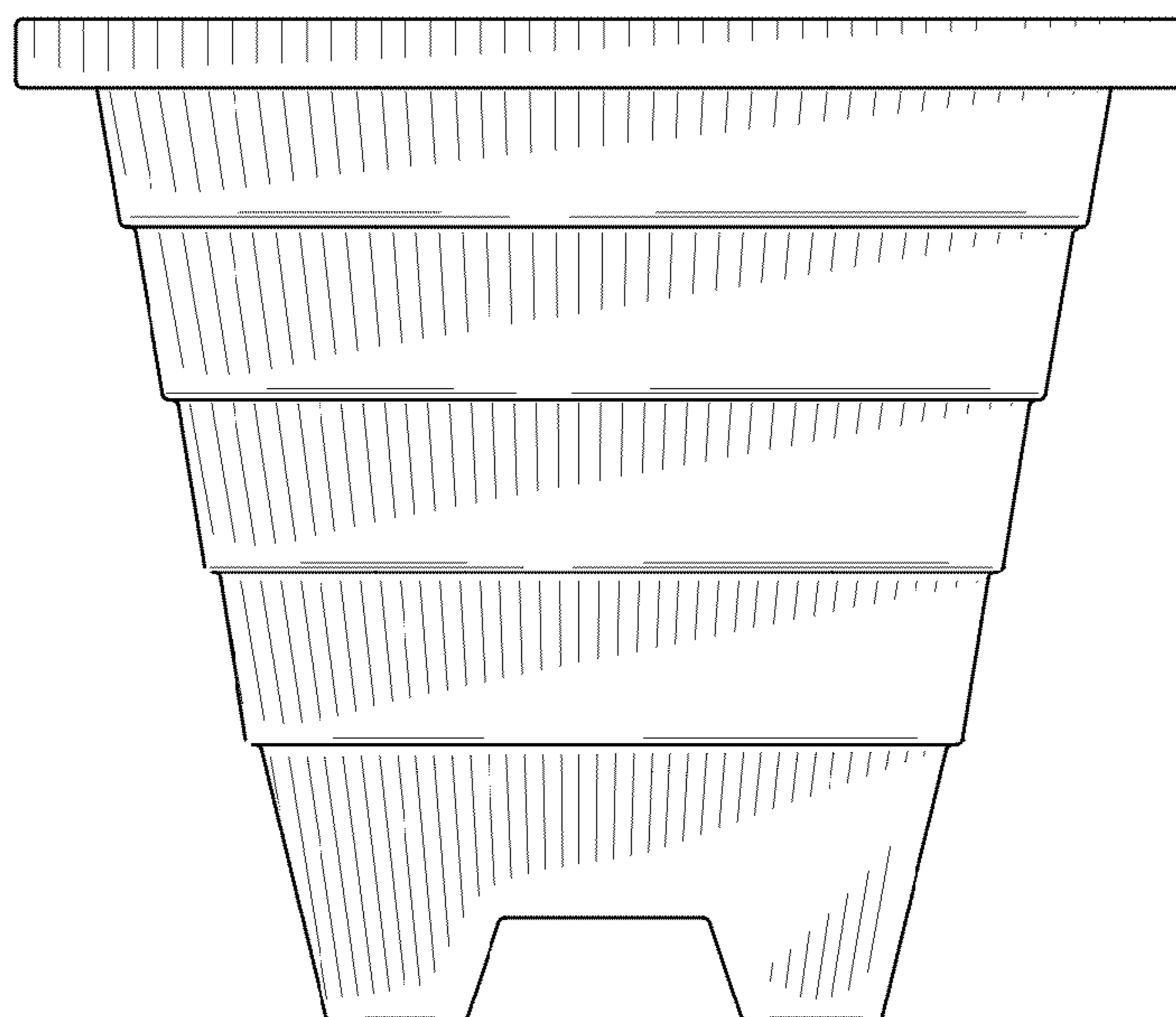


FIG. 3

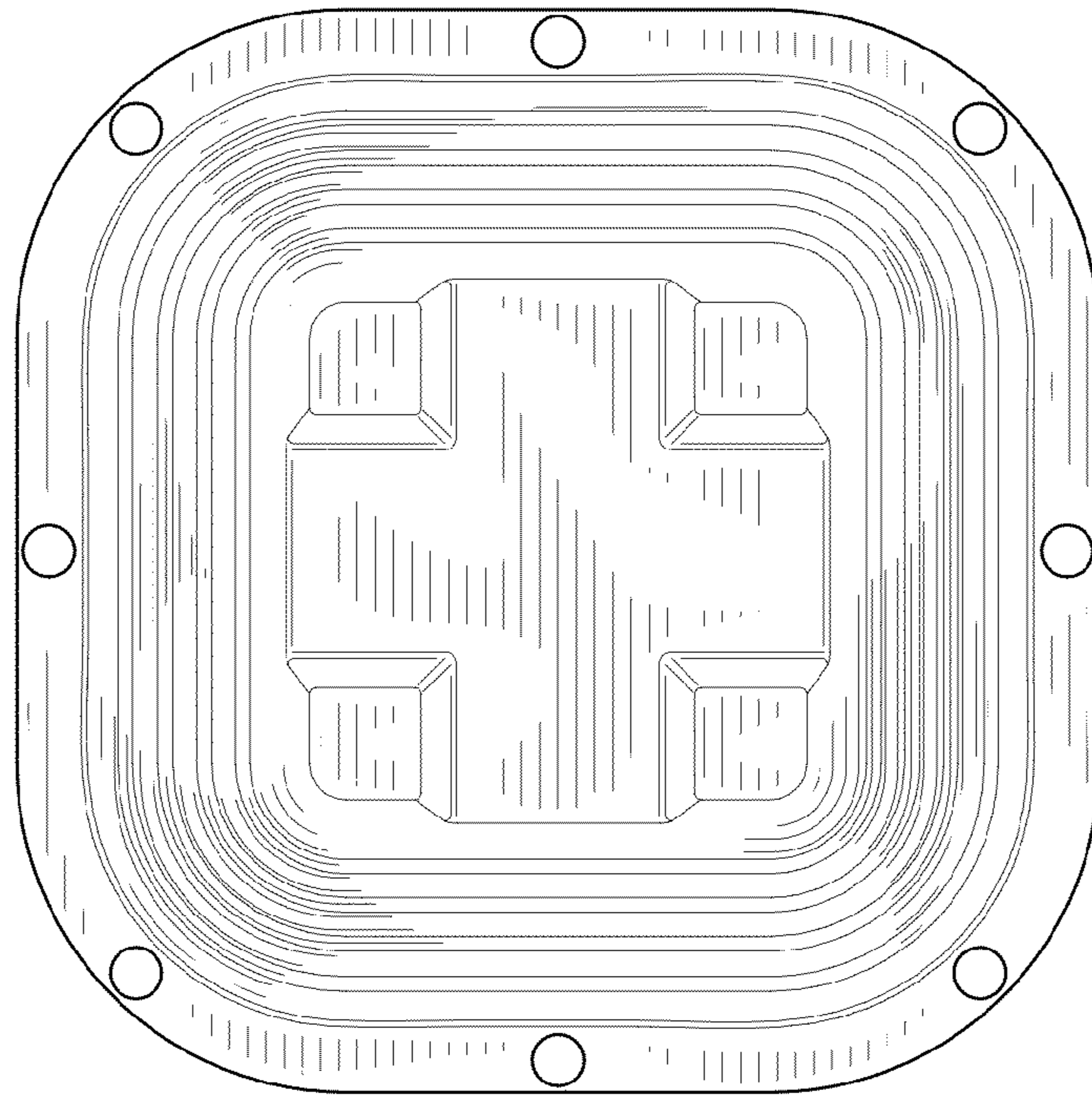


FIG. 4

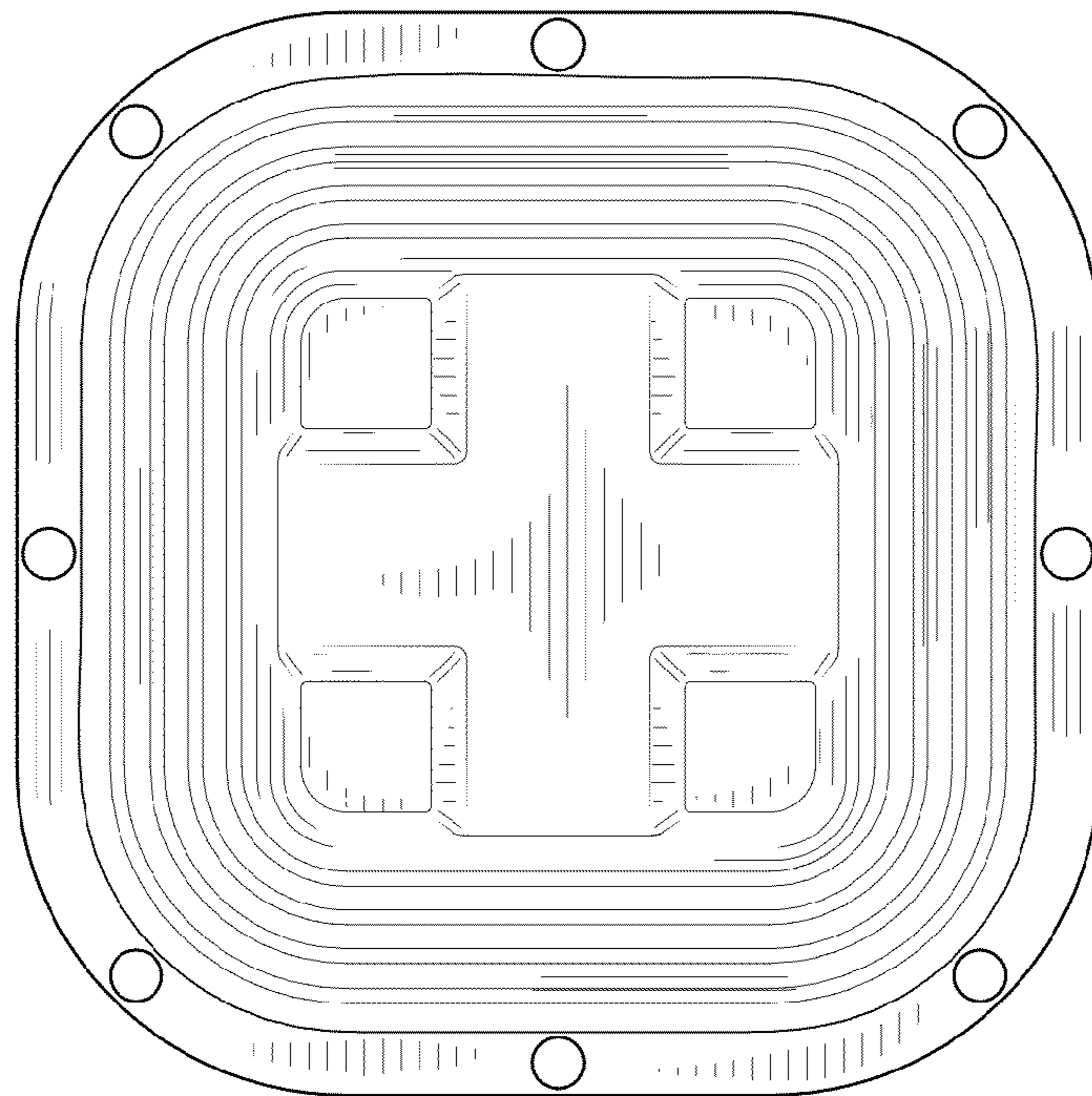


FIG. 5