



US00D739474S

(12) **United States Design Patent**
Wicken

(10) **Patent No.:** **US D739,474 S**

(45) **Date of Patent:** **** Sep. 22, 2015**

(54) **BALLOON MANIFOLD FOR INFLATING
PERMANENT AND REUSABLE PLASTIC
BALLOONS**

8,789,565	B1 *	7/2014	Wicken	141/237
8,968,047	B1 *	3/2015	Wicken et al.	446/220
2008/0121309	A1 *	5/2008	Boise et al.	141/313
2012/0144776	A1 *	6/2012	Sikorcin	53/268
2014/0295728	A1 *	10/2014	Cayton	446/220

(71) Applicant: **Christopher J. Wicken**, Westminster,
CO (US)

* cited by examiner

(72) Inventor: **Christopher J. Wicken**, Westminster,
CO (US)

Primary Examiner — Cynthia Ramirez

Assistant Examiner — Gino Colan

(**) Term: **14 Years**

(74) *Attorney, Agent, or Firm* — Edwin H. Crabtree; Ramon
L. Pizarro

(21) Appl. No.: **29/475,228**

(22) Filed: **Dec. 2, 2013**

(51) **LOC (10) Cl.** **21-01**

(52) **U.S. Cl.**
USPC **D21/453**

(58) **Field of Classification Search**
USPC D21/439, 440, 453, 400, 436; 141/313,
141/114, 317, 98, 237, 99; 446/220–226
CPC A63H 27/10; A63H 2027/1033; A63H
2027/1041

See application file for complete search history.

(56) **References Cited**

U.S. PATENT DOCUMENTS

4,892,500	A *	1/1990	Lau	446/221
5,127,867	A *	7/1992	Lau	446/221
6,478,057	B1 *	11/2002	Bearss et al.	141/313
6,478,651	B1 *	11/2002	Weir	446/220
D659,200	S *	5/2012	Wicken	D21/440
8,307,612	B1 *	11/2012	Sikorcin	53/284.7

(57) **CLAIM**

The ornamental design for a balloon manifold for inflating permanent and reusable plastic balloons, as shown and described.

DESCRIPTION

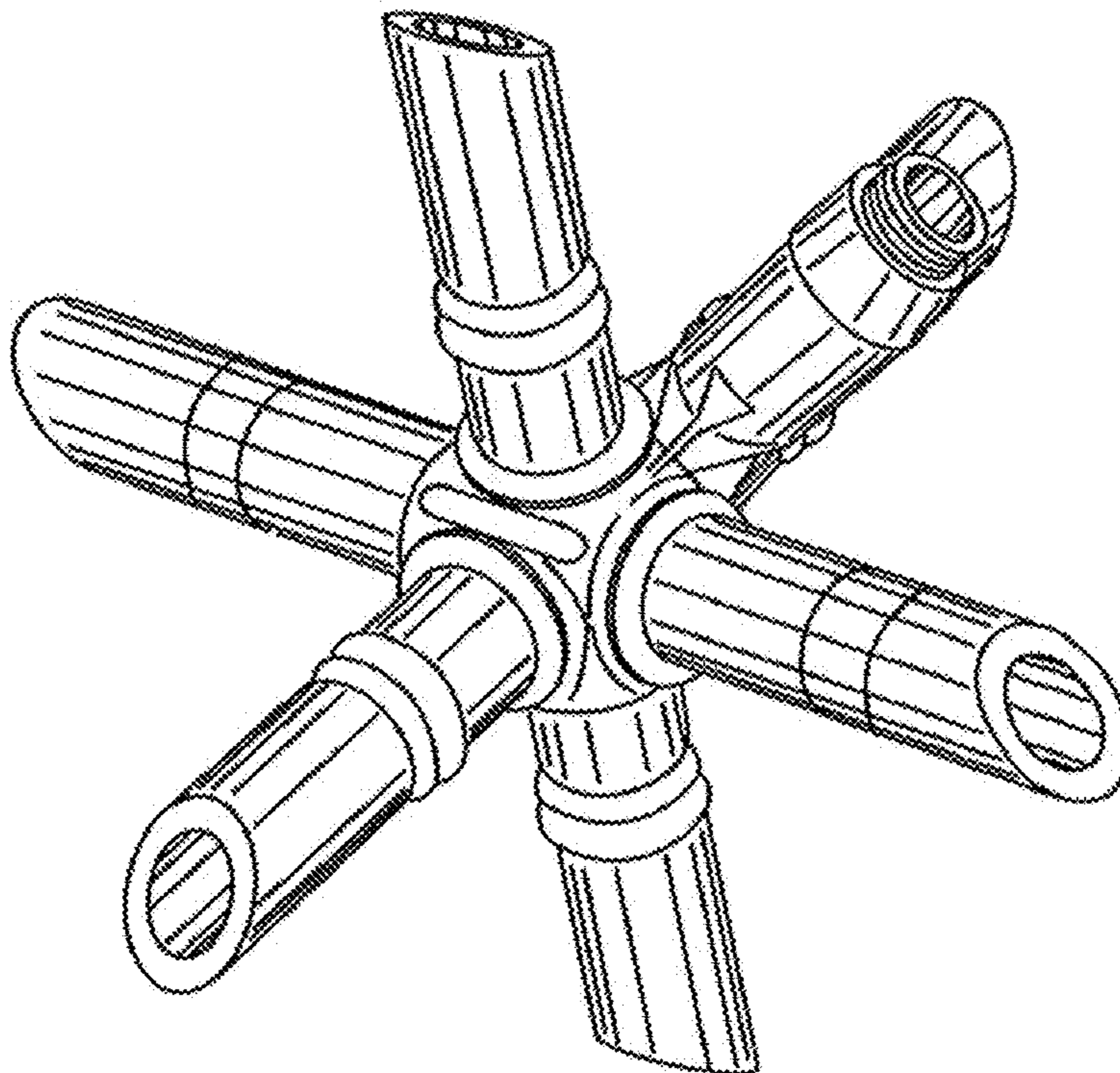
FIG. 1 is a front perspective view of the balloon manifold for inflating permanent and reusable plastic balloons illustrating my new design.

FIG. 2 is a front view of the balloon manifold for inflating permanent and reusable plastic balloons illustrating my new design; and,

FIG. 3 is a rear perspective view of the balloon manifold for inflating permanent and reusable plastic balloons illustrating my new design.

The broken lines shown in the figures are included for the purpose of illustrating environment and form no part of the claimed design.

1 Claim, 2 Drawing Sheets



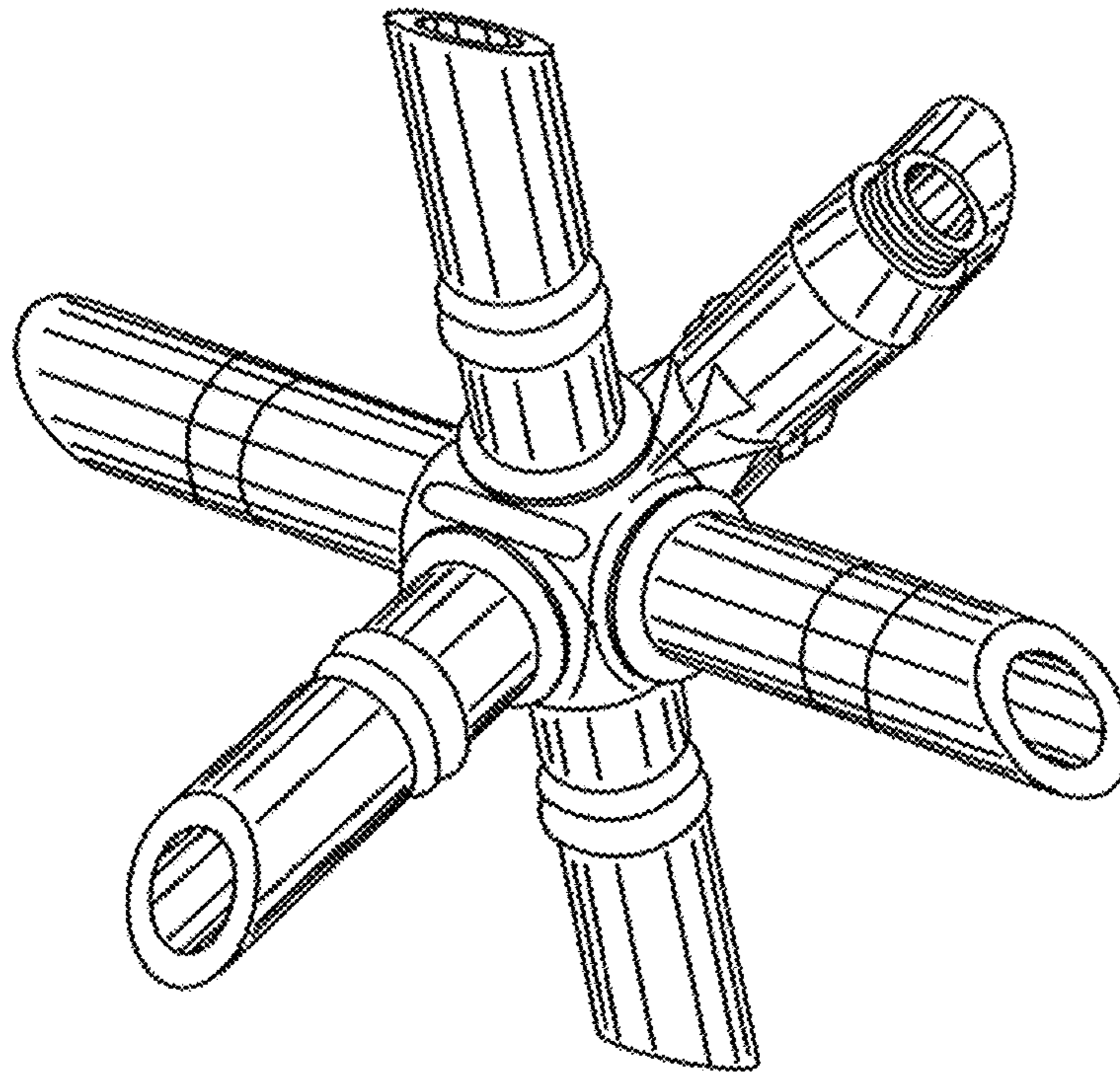


FIG. 1

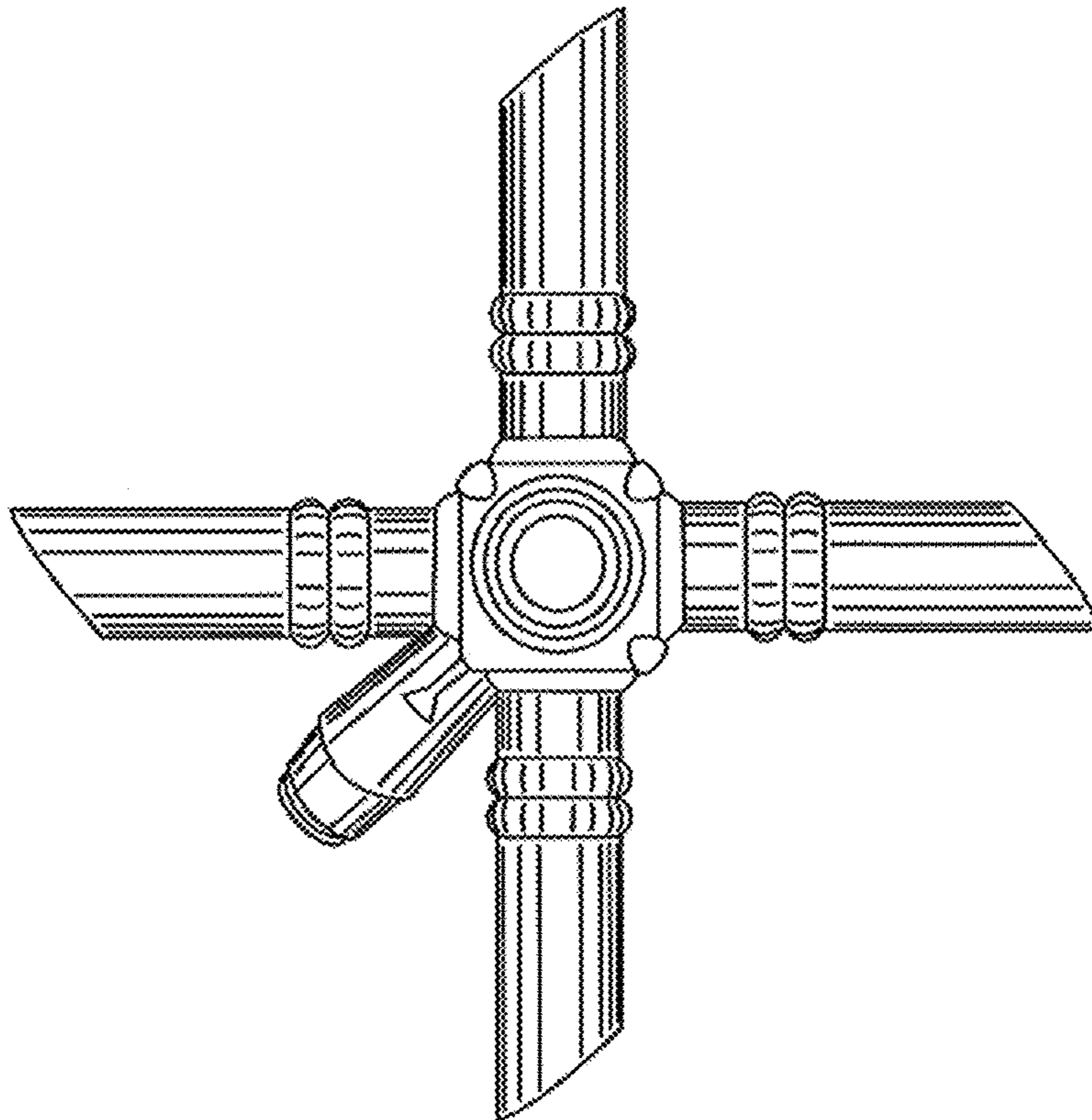


FIG. 2

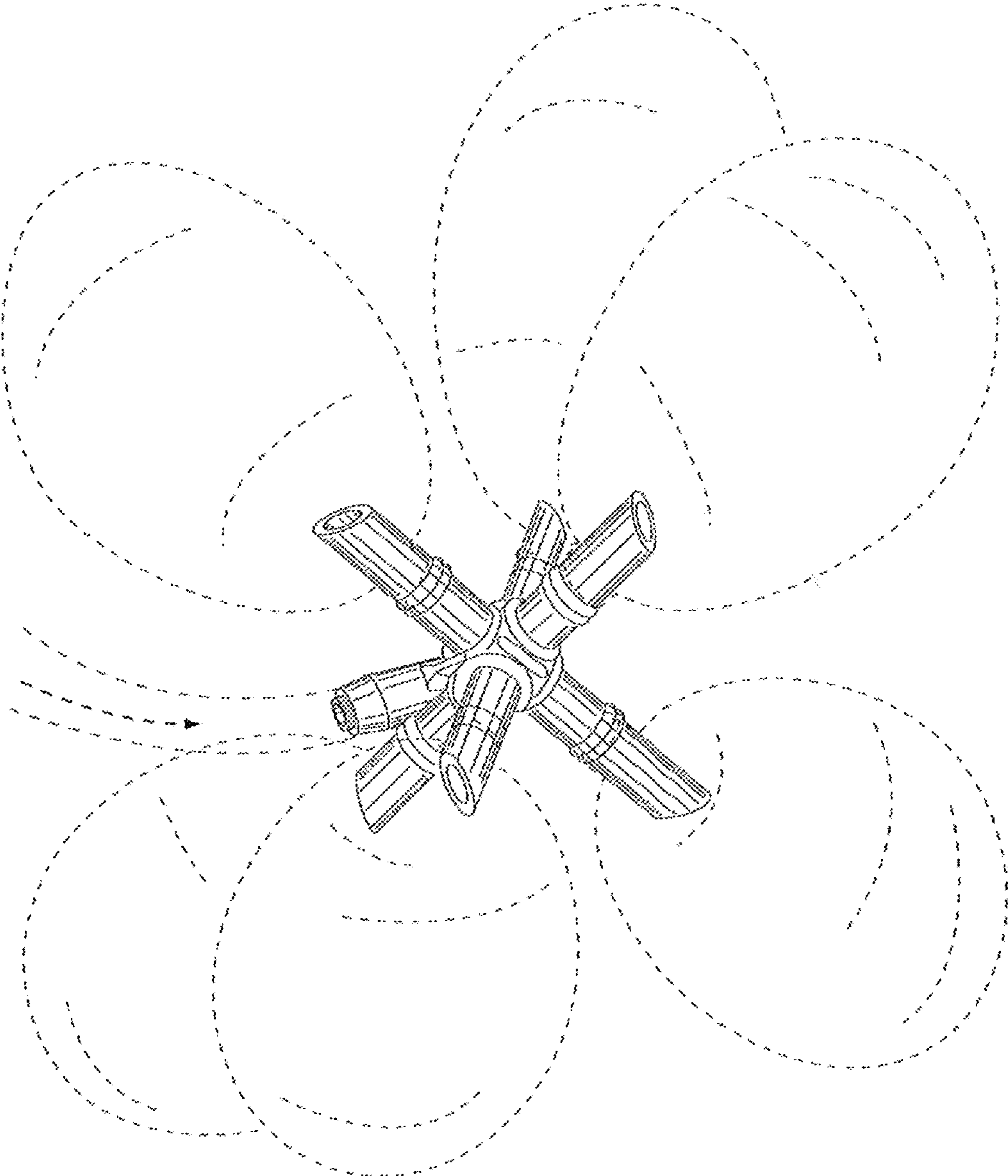


FIG. 3