



US00D739471S

(12) **United States Design Patent**
Min

(10) **Patent No.:** **US D739,471 S**

(45) **Date of Patent:** **** Sep. 22, 2015**

- (54) **ELECTRIC VEHICLE FOR KIDS**
- (71) Applicant: **HENES CO., LTD.**, Gyeongsangnam-do (KR)
- (72) Inventor: **Kyung-Kyun Min**, Changwon-si (KR)
- (73) Assignee: **Henes Co., Ltd.** (KR)
- (**) Term: **14 Years**
- (21) Appl. No.: **29/500,338**
- (22) Filed: **Aug. 25, 2014**
- (51) **LOC (10) Cl.** **21-01**
- (52) **U.S. Cl.**
USPC **D21/433**
- (58) **Field of Classification Search**
USPC D21/533, 548, 549, 550, 551, 561, 562,
D21/433; D12/82, 86, 88, 89, 90, 91, 92,
D12/93; 446/465, 468, 470, 471, 431,
446/454-456
CPC B60C 2200/20; B62B 5/0033
See application file for complete search history.

- D438,146 S * 2/2001 Larson D12/107
- D460,130 S * 7/2002 Cheng D21/551
- D461,510 S * 8/2002 Wu D21/433
- D464,086 S * 10/2002 Wu D21/433
- D493,847 S * 8/2004 Wang D21/433
- D643,479 S * 8/2011 Lai D21/424
- D720,815 S * 1/2015 Talios et al. D21/433
- D728,034 S * 4/2015 Talios et al. D21/424

* cited by examiner

Primary Examiner — Cynthia M Chin

(74) *Attorney, Agent, or Firm* — Park & Associates IP Law, P.C.

(56) **References Cited**

U.S. PATENT DOCUMENTS

- D328,317 S * 7/1992 Harrod D21/433
- D345,394 S * 3/1994 Chen D21/433
- D410,502 S * 6/1999 Harrod D21/433
- D416,056 S * 11/1999 Wu D21/433
- D417,244 S * 11/1999 Yeh et al. D21/433
- D417,245 S * 11/1999 Wang D21/433
- D424,630 S * 5/2000 Tasy D21/433
- D432,185 S * 10/2000 Hulst D21/433

(57) **CLAIM**

The ornamental design for an electric vehicle for kids, as shown and described.

DESCRIPTION

FIG. 1 is a perspective view of an electric vehicle for kids in accordance with the new design;
 FIG. 2 is a front view of an electric vehicle for kids showing the new design;
 FIG. 3 is a rear view thereof;
 FIG. 4 is a right side view thereof;
 FIG. 5 is a left side view thereof;
 FIG. 6 is a top plan view thereof;
 FIG. 7 is a partial top plan view showing the dashboard and steering wheel of the vehicle in a disassembled state, with the display in an on state, shown separately for the ease and clarity of illustration; and,
 FIG. 8 is a bottom plan view thereof.

1 Claim, 8 Drawing Sheets



FIG. 1

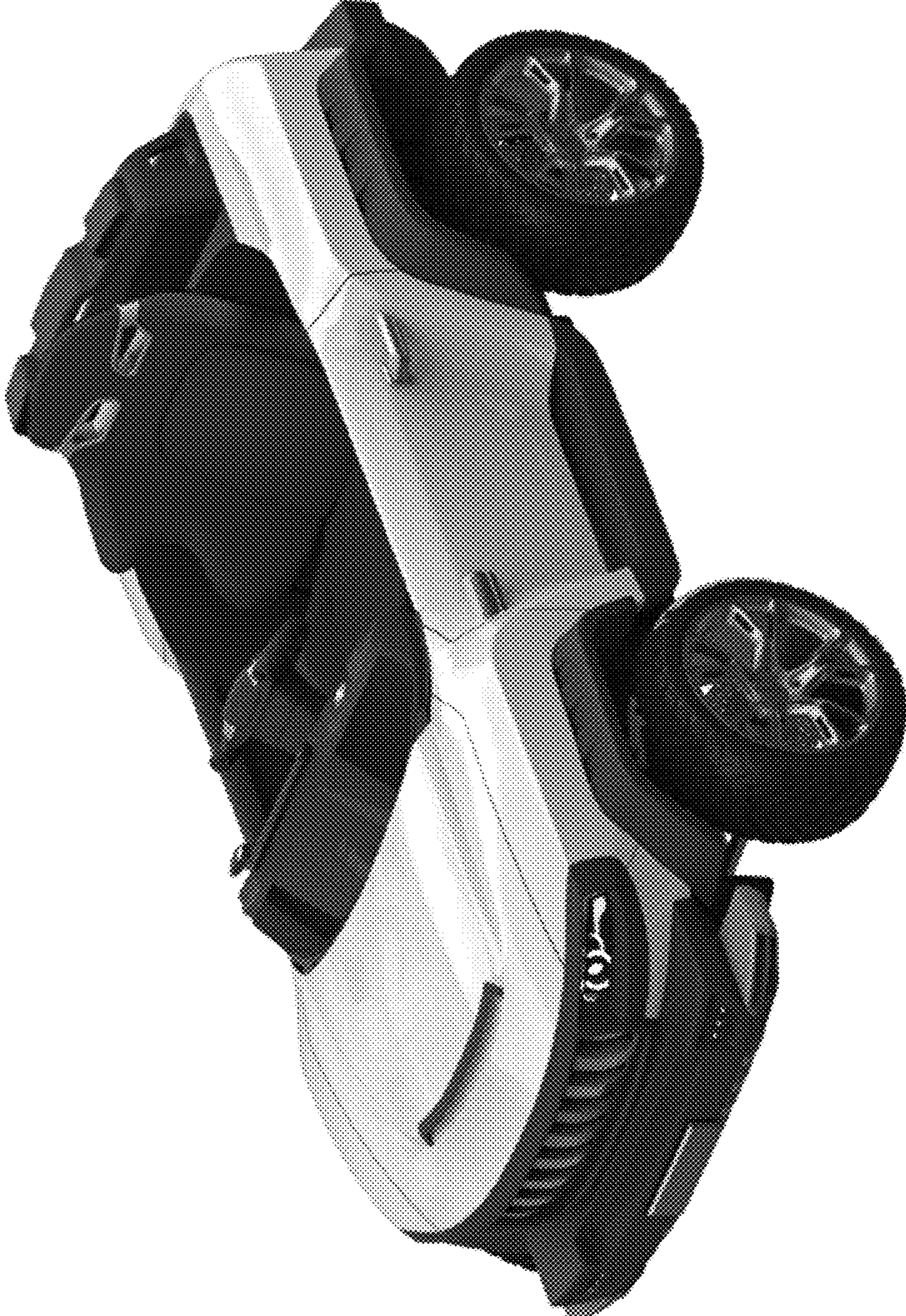


FIG. 2



FIG. 3



FIG. 4

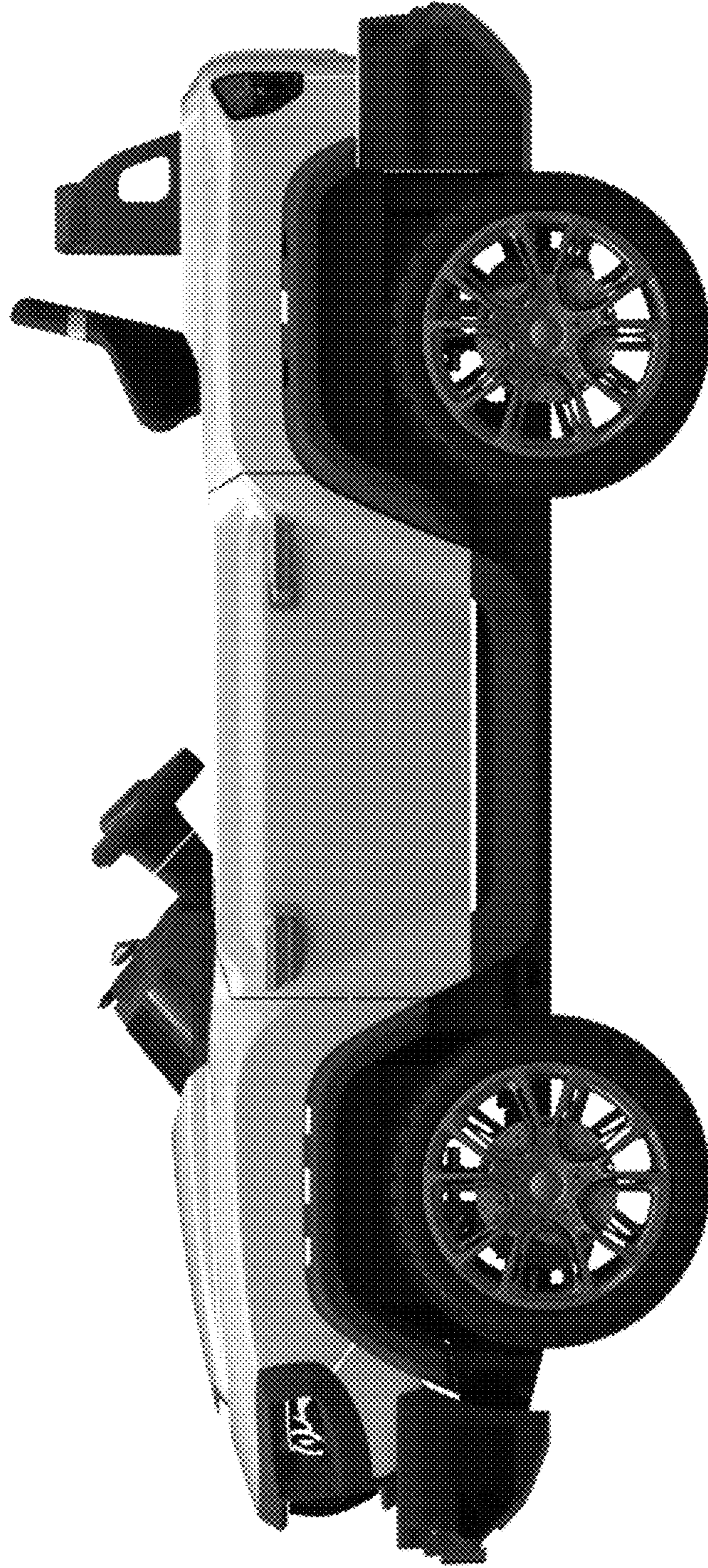


FIG. 5

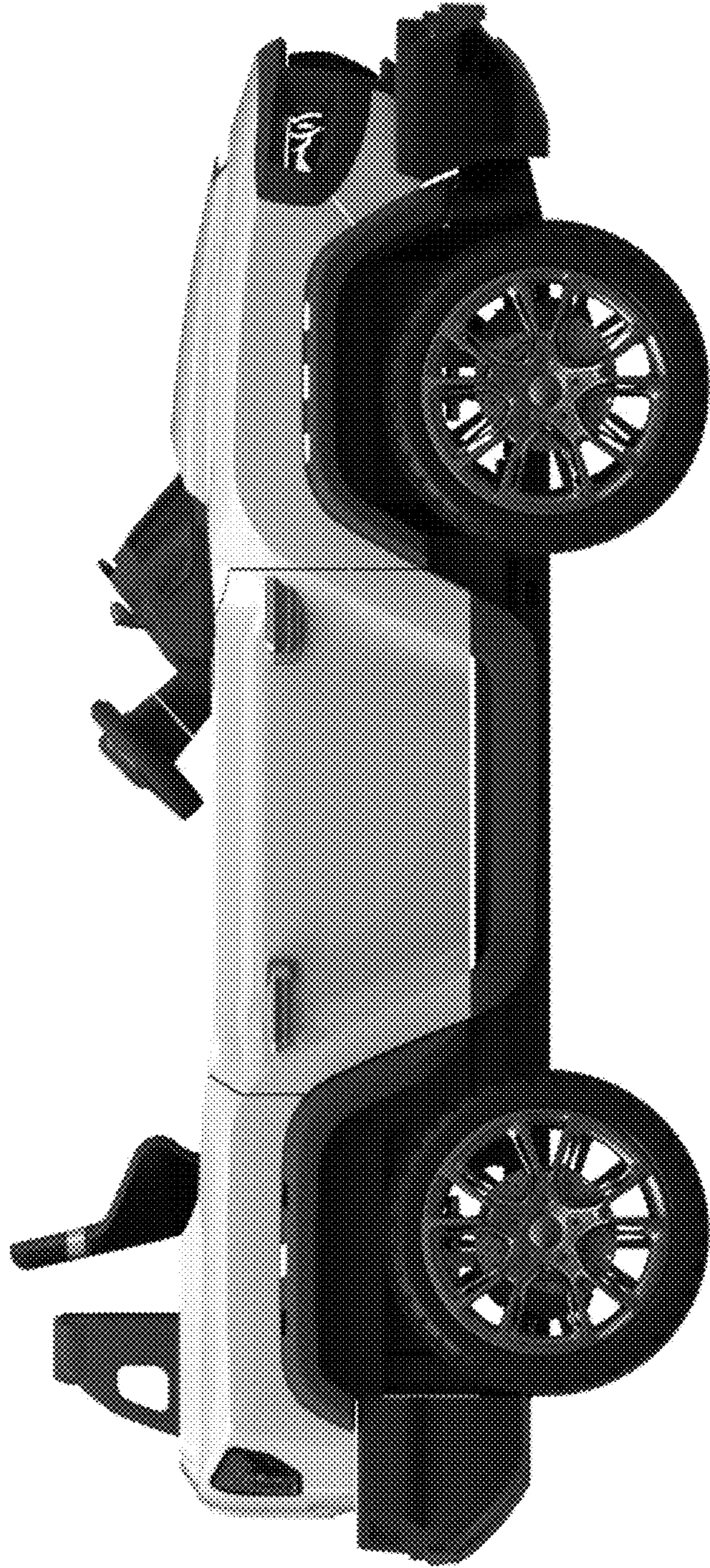


FIG. 6

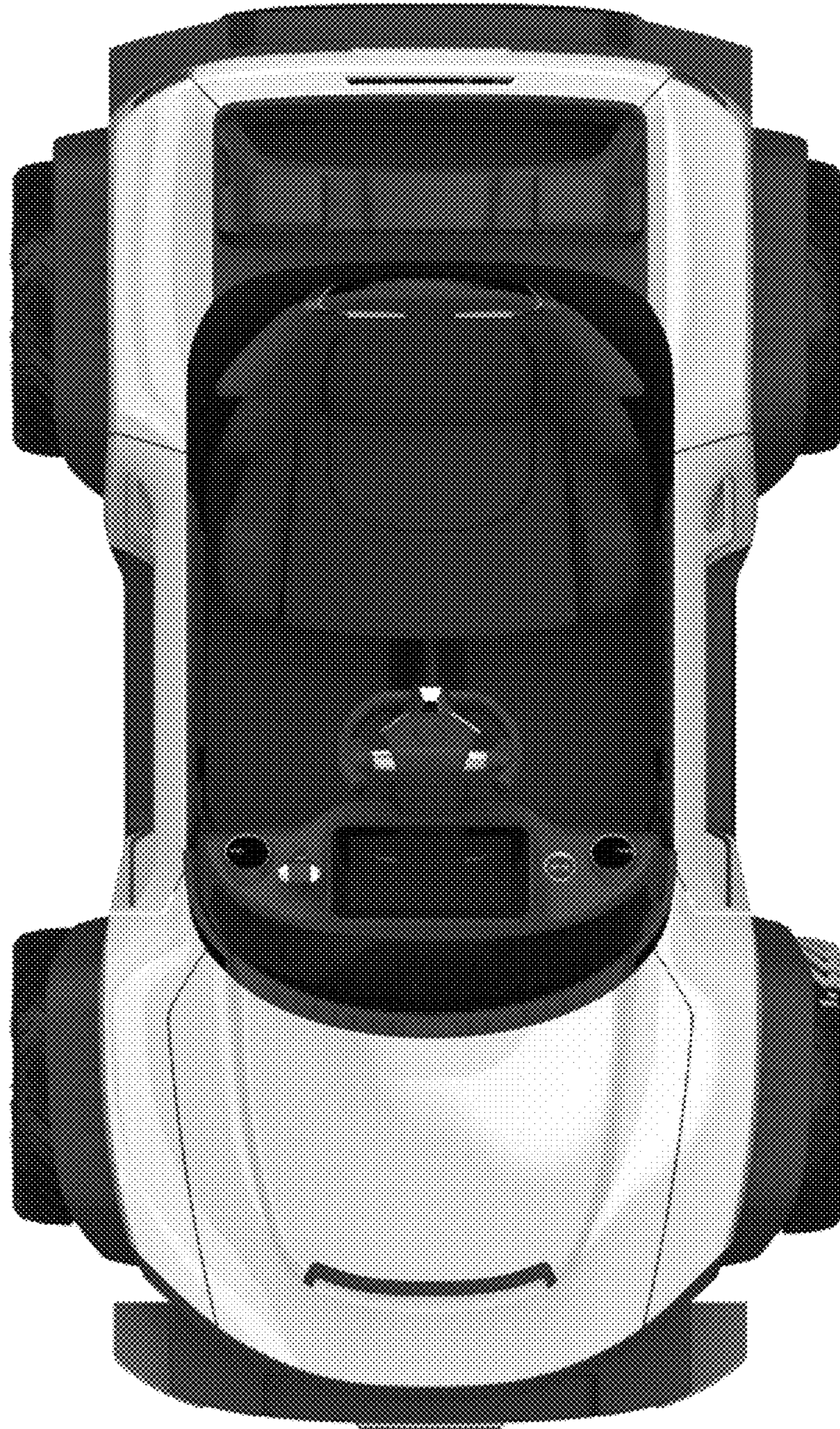


FIG. 7



FIG. 8

