

US00D739469S

(12) **United States Design Patent**
Smith

(10) **Patent No.:** **US D739,469 S**

(45) **Date of Patent:** **** Sep. 22, 2015**

(54) **GAME BOARD**

(71) Applicant: **Roberto D. Smith**, South Bend, IN (US)

(72) Inventor: **Roberto D. Smith**, South Bend, IN (US)

(**) Term: **14 Years**

(21) Appl. No.: **29/491,626**

(22) Filed: **May 22, 2014**

(51) **LOC (10) Cl.** **21-01**

(52) **U.S. Cl.**
USPC **D21/318**

(58) **Field of Classification Search**
USPC D21/318, 312, 314, 338; 273/108,
273/108.1, 110, 236, 277, 284, 285, 287
CPC A63F 7/06; A63F 7/34; A63F 9/00;
A63F 9/04
See application file for complete search history.

(56) **References Cited**

U.S. PATENT DOCUMENTS

D211,259 S * 6/1968 Maillard D21/318
D245,718 S * 9/1977 Maloney, II D21/318
4,871,170 A * 10/1989 Carini 273/126 R

D347,026 S * 5/1994 Young D21/318
D425,136 S * 5/2000 Martin, Sr. D21/318
D500,530 S * 1/2005 Zucchi et al. D21/397
7,147,225 B2 * 12/2006 Navarro 273/242
7,204,487 B1 * 4/2007 Pohl 273/108.5
D653,710 S * 2/2012 Davis et al. D21/318
D666,247 S * 8/2012 Fox D21/318
8,434,762 B1 * 5/2013 Kerpovich 273/126 A
8,485,526 B2 * 7/2013 Toma 273/108.1

* cited by examiner

Primary Examiner — Prabhakar Deshmukh

(74) *Attorney, Agent, or Firm* — R. Tracy Crump

(57) **CLAIM**

I claim the ornamental design of a game board, as shown and described.

DESCRIPTION

FIG. 1 is a perspective view of a game board showing my design;

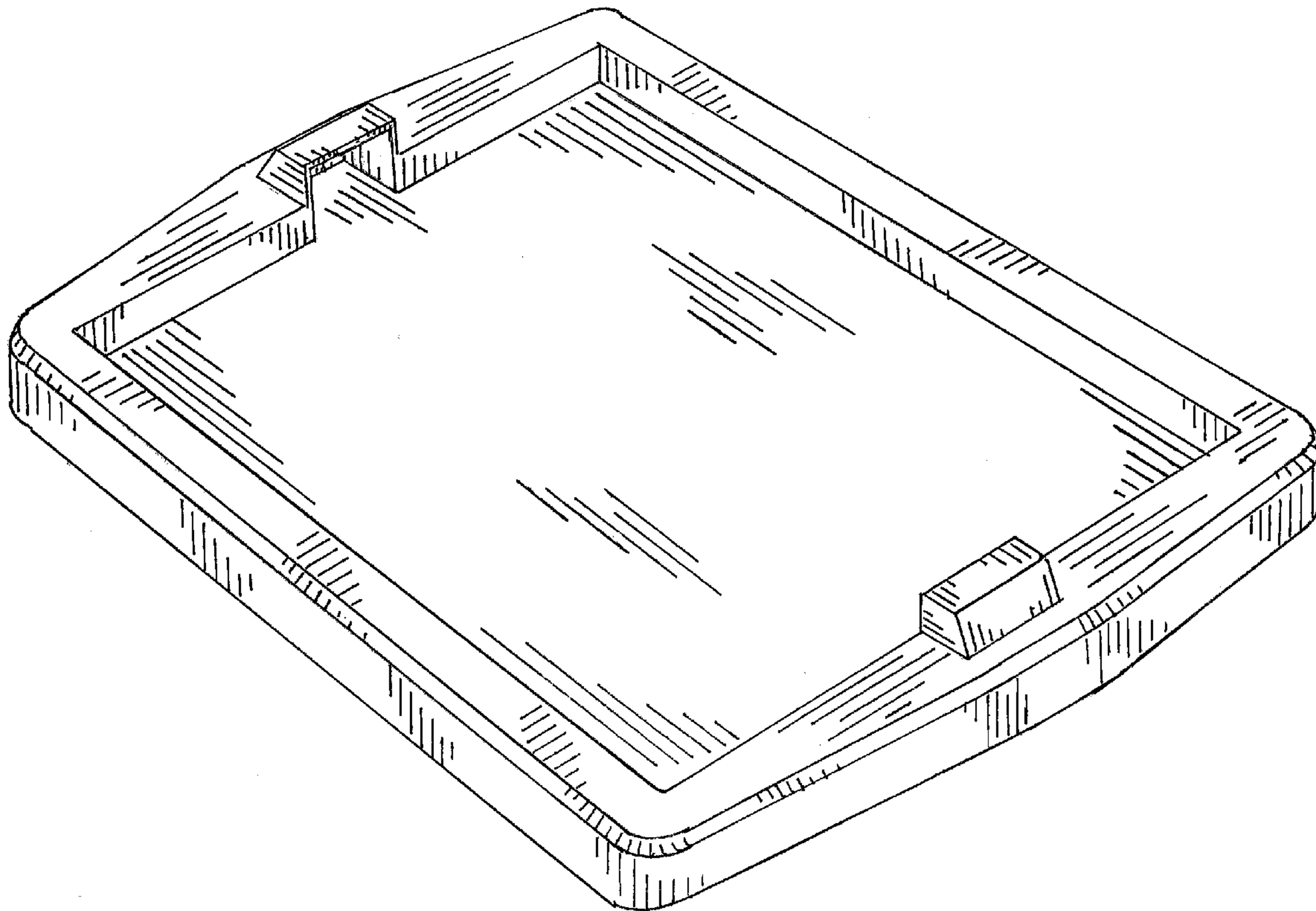
FIG. 2 is a top view thereof;

FIG. 3 is a side view thereof;

FIG. 4 is an end view thereof; and,

FIG. 5 is a bottom view thereof.

1 Claim, 4 Drawing Sheets



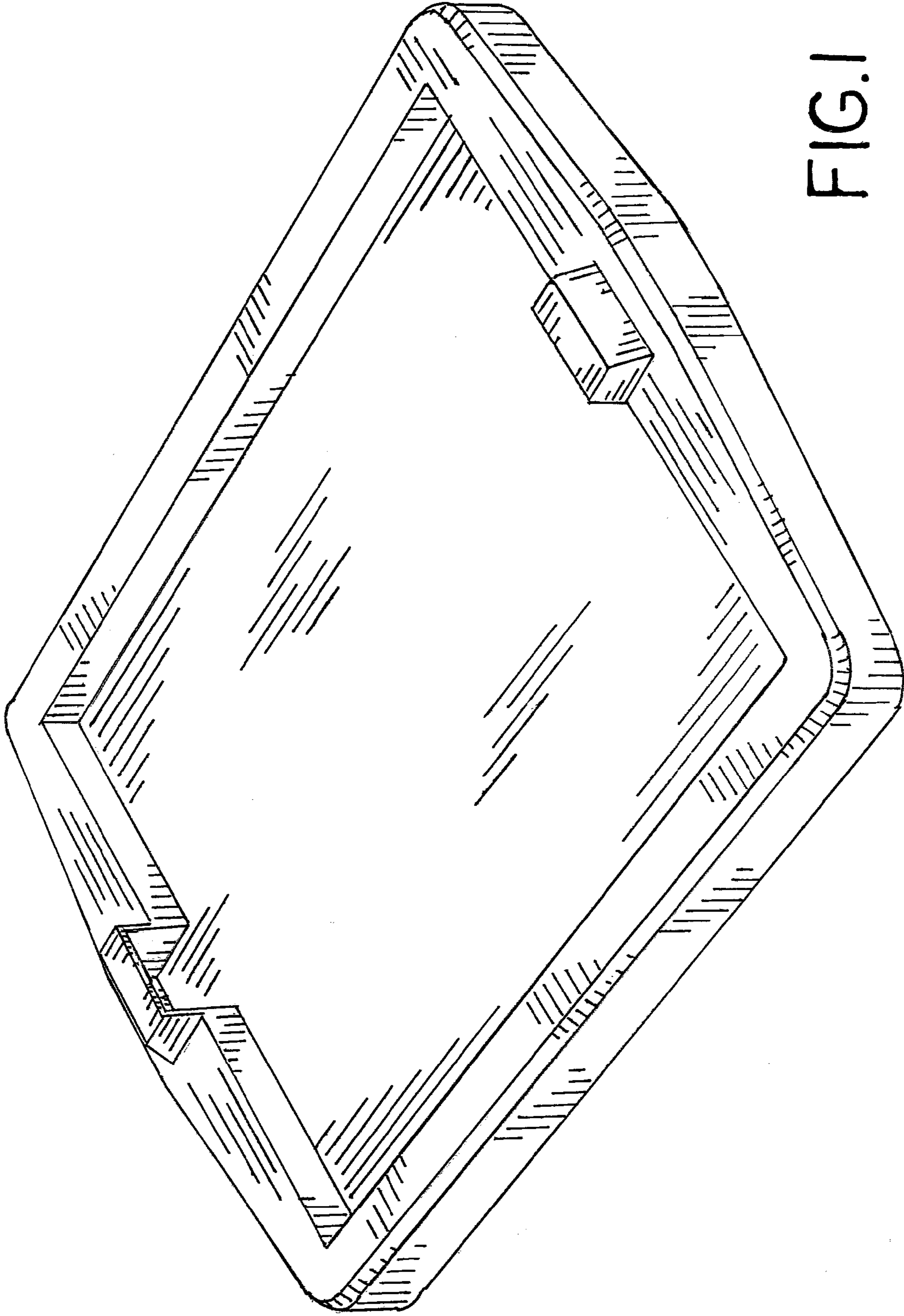


FIG. 1

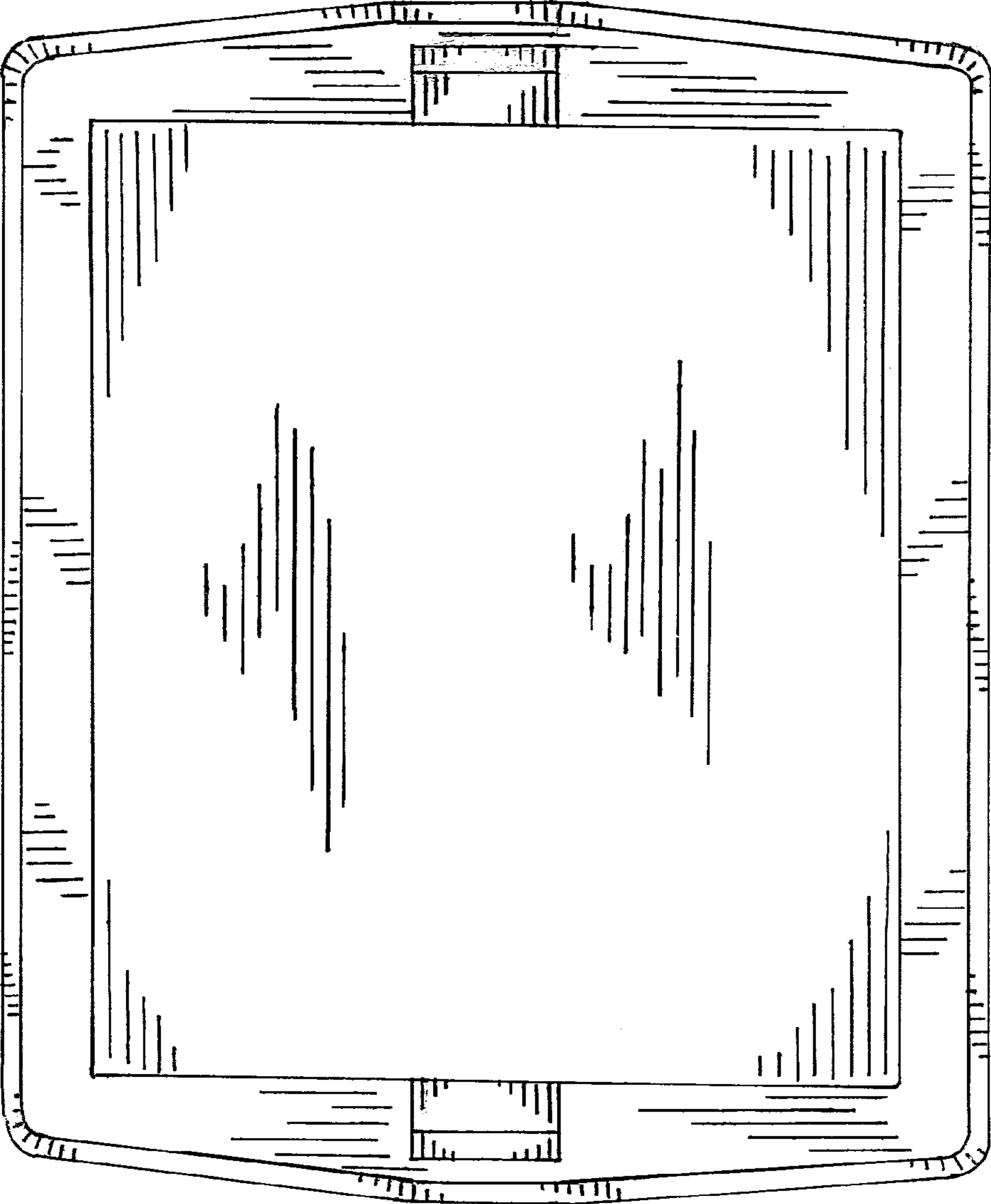


FIG. 2

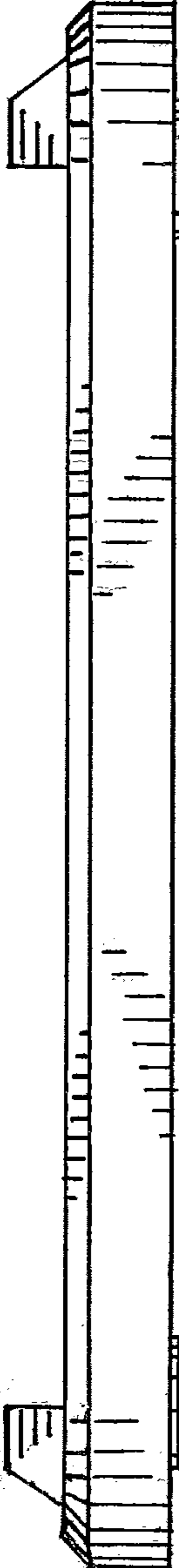


FIG. 3

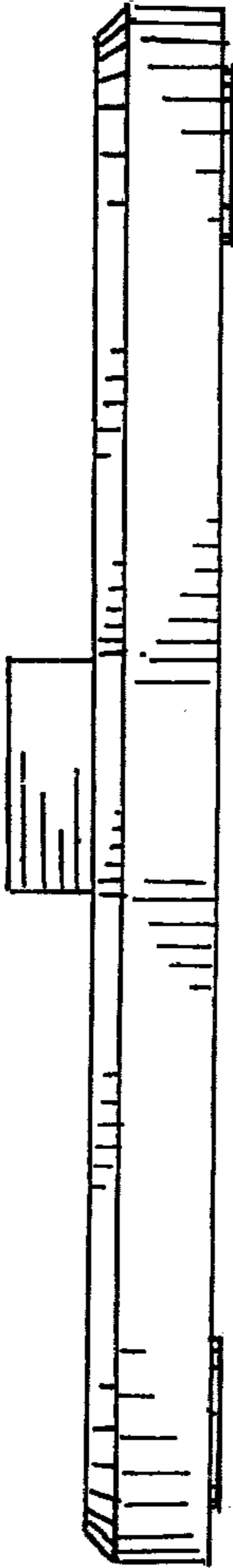


FIG. 4

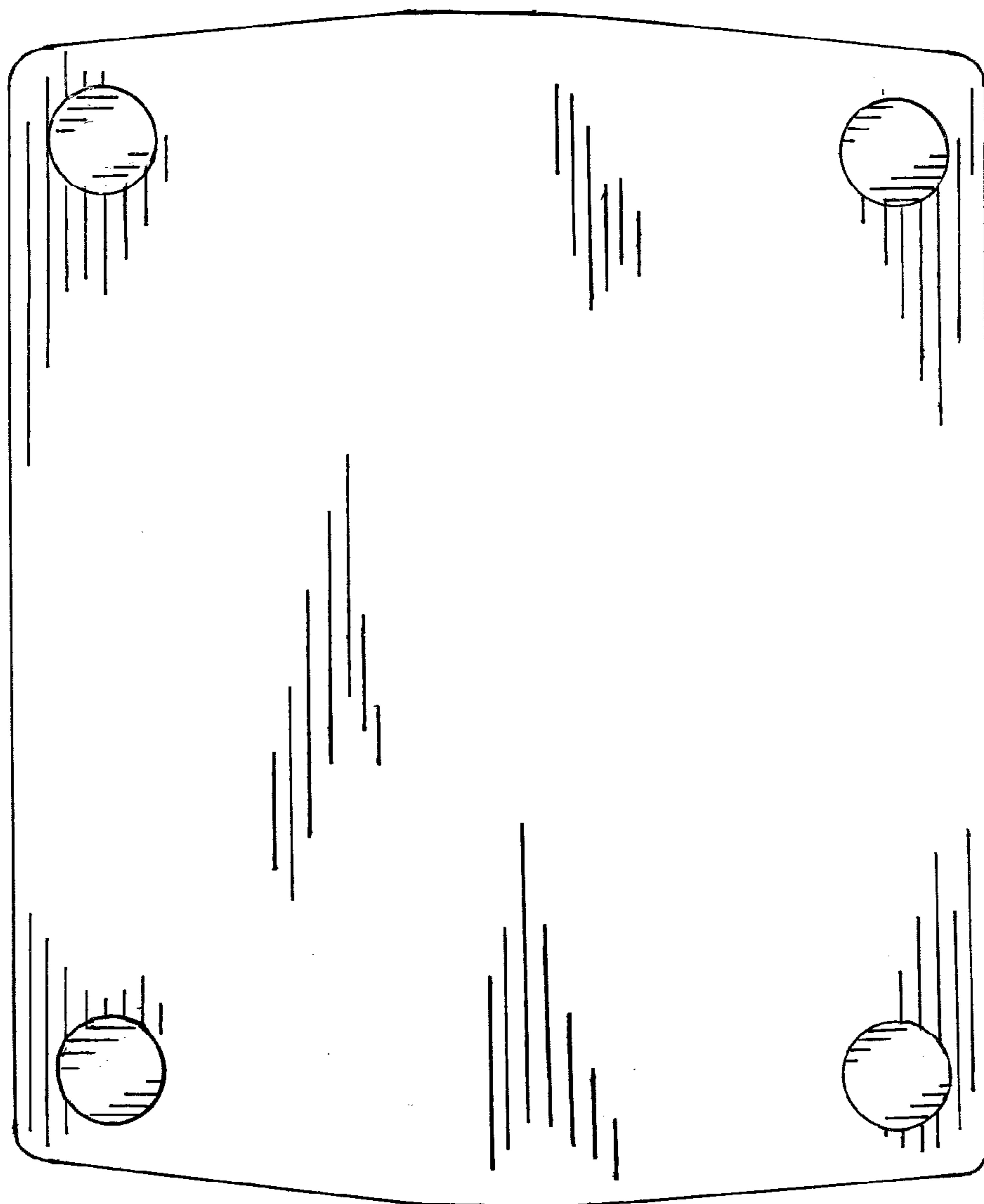


FIG. 5