



US00D739464S

(12) **United States Design Patent**  
**Liu et al.**

(10) **Patent No.:** **US D739,464 S**

(45) **Date of Patent:** **\*\* Sep. 22, 2015**

(54) **ELECTRONIC DISPLAY BOARD**

(56) **References Cited**

(71) Applicant: **HON HAI PRECISION INDUSTRY CO., LTD.**, New Taipei (TW)

U.S. PATENT DOCUMENTS

(72) Inventors: **Chun Liu**, Shenzhen (CN); **Chih-Kang Cho**, New Taipei (TW); **Quan Liao**, Shenzhen (CN); **Zhan-Ao Yu**, Shenzhen (CN); **Te-Hsu Wang**, New Taipei (TW); **Si-Juan Kuang**, Shenzhen (CN)

5,163,845	A *	11/1992	Blassingame	434/408
5,501,603	A *	3/1996	Mueller et al.	434/419
5,697,595	A *	12/1997	Sperber	248/452
D392,686	S *	3/1998	Sarkisian et al.	D20/41
D438,258	S *	2/2001	Itoh et al.	D20/10
6,698,705	B2 *	3/2004	Toghanian	248/448
D509,543	S *	9/2005	Hillstrom et al.	D20/41
D594,062	S *	6/2009	Loerakker	D19/113
7,584,563	B2 *	9/2009	Hillstrom et al.	40/607.01
D615,514	S *	5/2010	Mellingen et al.	D14/126
D639,800	S *	6/2011	Magruder	D14/307
2006/0016951	A1 *	1/2006	Nash et al.	248/441.1

(73) Assignee: **HON HAI PRECISION INDUSTRY CO., LTD.**, New Taipei (TW)

\* cited by examiner

(\*\*) Term: **14 Years**

*Primary Examiner* — Freda S Nunn

(21) Appl. No.: **29/485,396**

(74) *Attorney, Agent, or Firm* — Novak Druce Connolly Bove + Quigg LLP

(22) Filed: **Mar. 19, 2014**

(57) **CLAIM**

(30) **Foreign Application Priority Data**

The ornamental design for an electronic display board, as shown and described.

Feb. 28, 2014 (CN) ..... 2014 3 00370423

**DESCRIPTION**

(51) **LOC (10) Cl.** ..... **19-06**

FIG. 1 is a perspective view of an electronic display board showing our new design.

(52) **U.S. Cl.**

FIG. 2 is a front elevational view thereof.

USPC ..... **D19/113**; D14/371; D14/374

FIG. 3 is a rear elevational view thereof.

(58) **Field of Classification Search**

FIG. 4 is a left side elevational view thereof.

USPC ..... D14/371–375, 125–129, 307, 336, 337; 341/12; 345/104, 156, 168, 173; 348/180, 184, 325, 739; 349/1, 2, 11, 349/62; 361/679.05–679.07, 679.21; D6/300, 308; D19/113–115; D20/10, D20/41, 42

FIG. 5 is a right side elevational view thereof.

CPC ..... G09G 5/00; G06Q 20/18; G09B 19/00; A47B 97/04; B43L 1/04

FIG. 6 is a top plan view thereof.

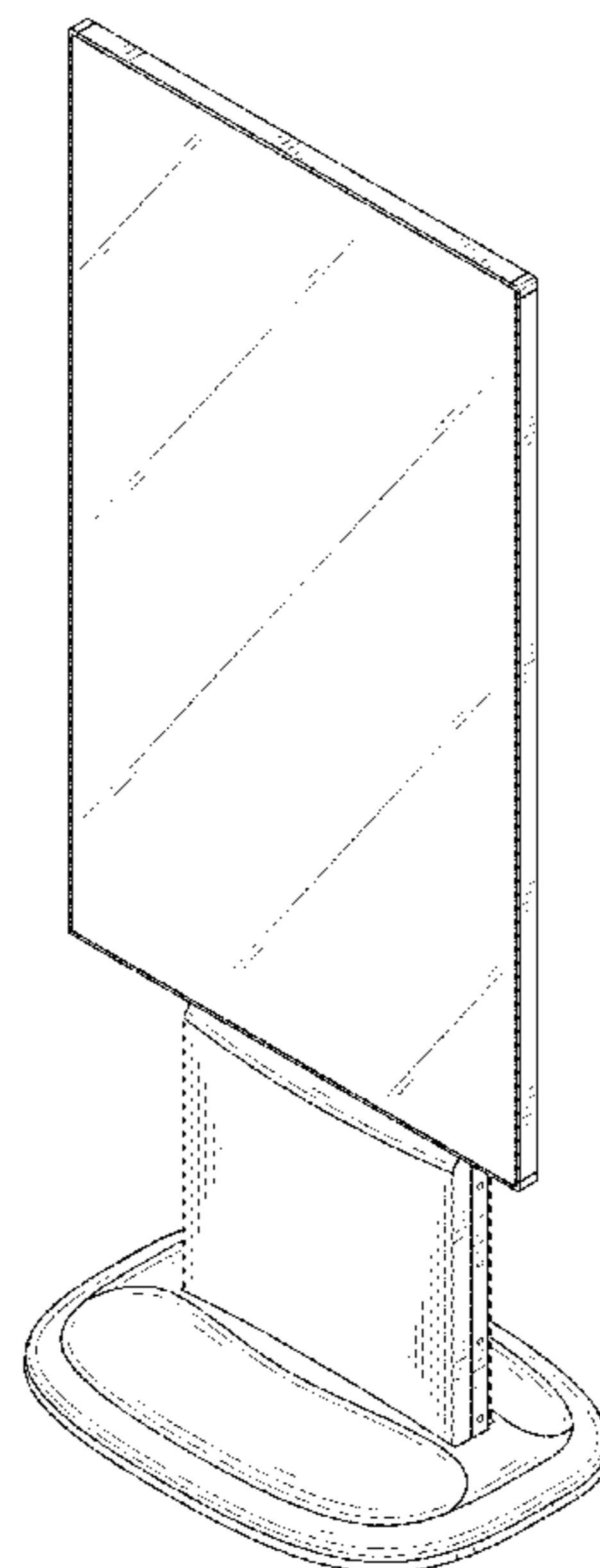
FIG. 7 is a bottom plan view thereof; and,

FIG. 8 is a perspective view of the “electronic display board”, which is in another state of use.

See application file for complete search history.

The broken lines in the drawings are employed to show environmental structures only, and form no part of the claimed design.

**1 Claim, 8 Drawing Sheets**



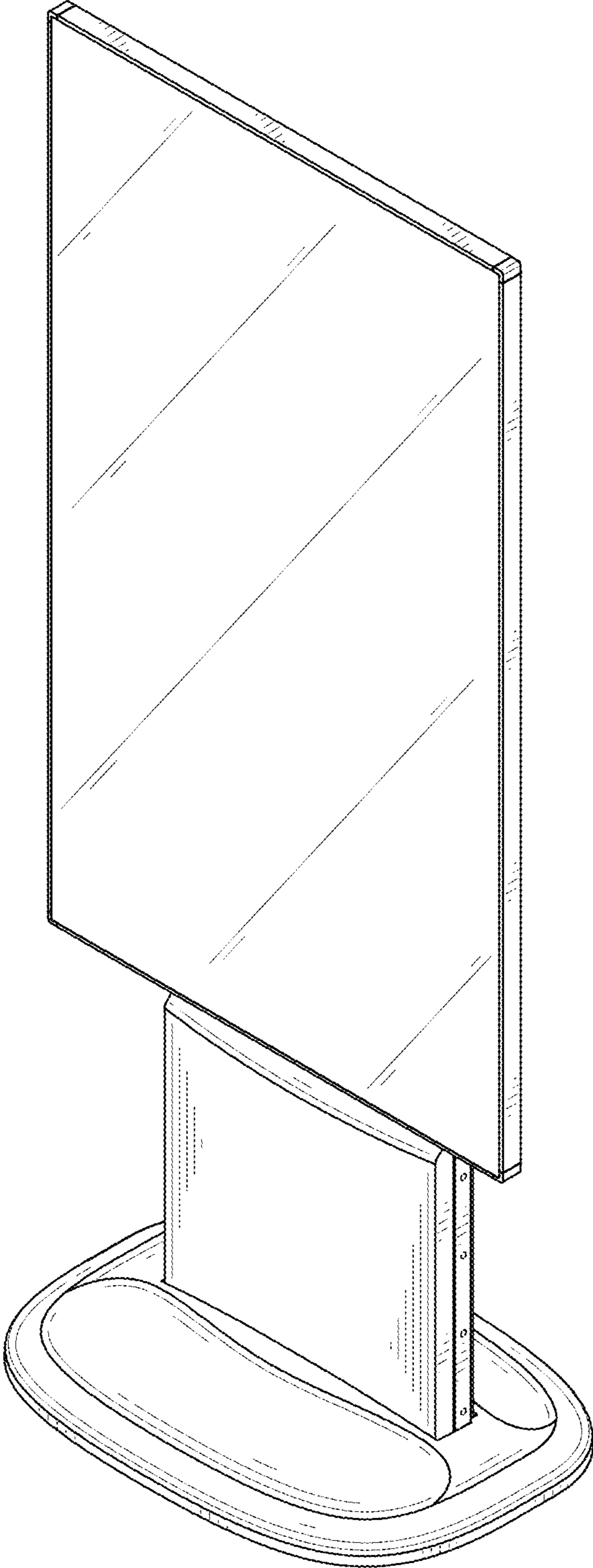


FIG. 1

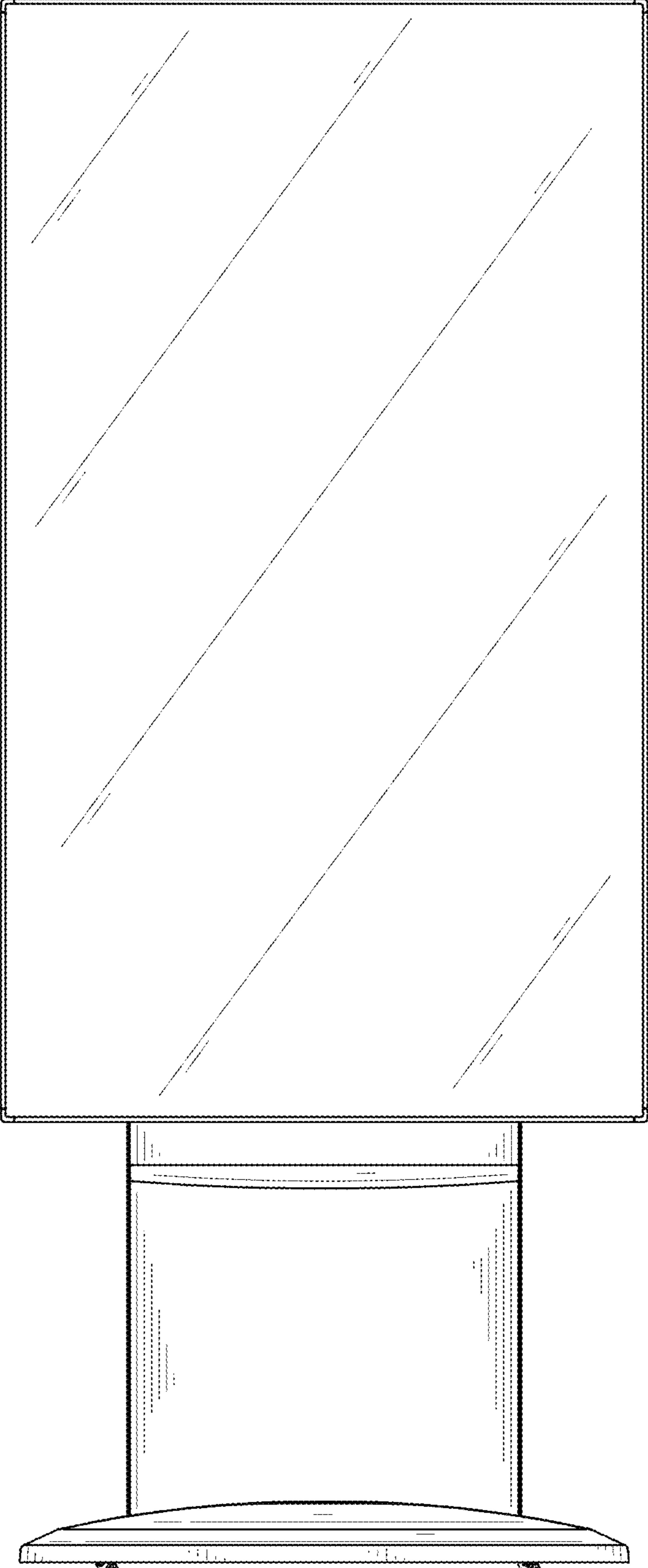


FIG. 2

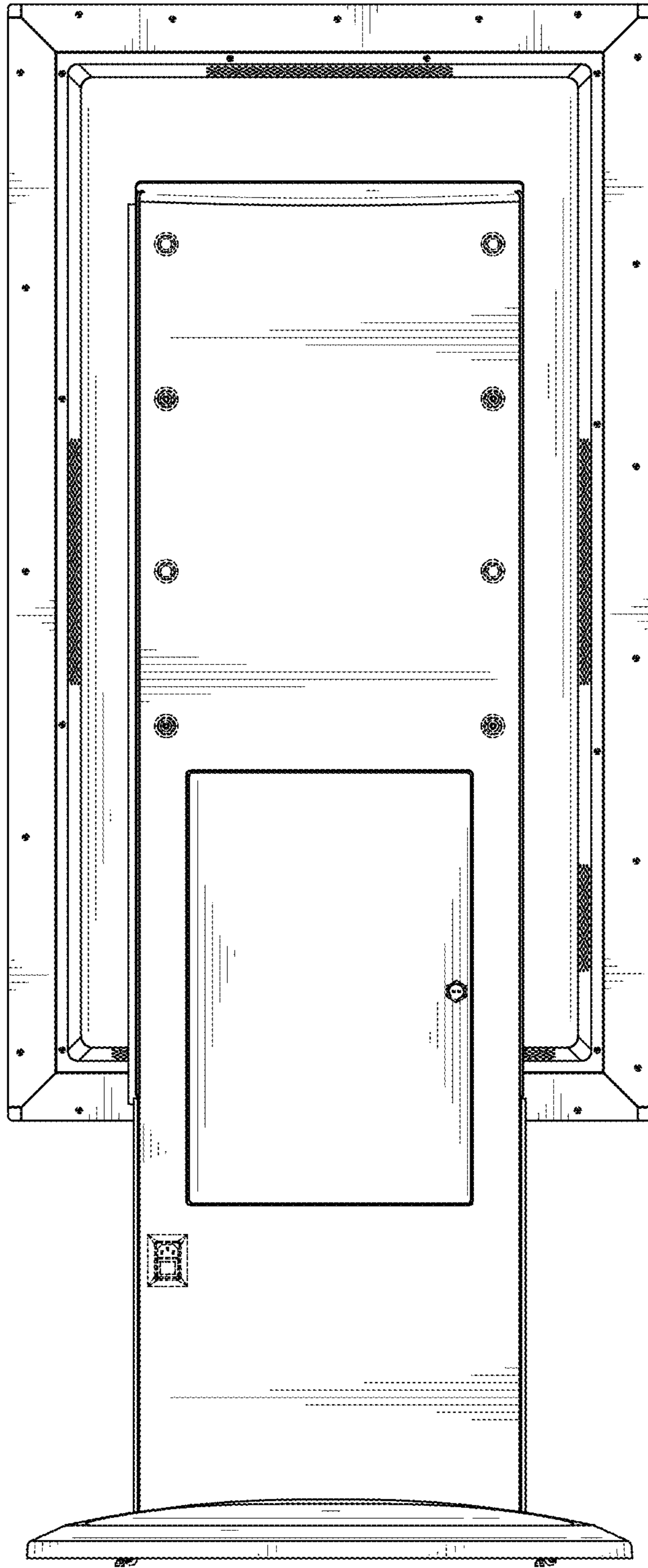


FIG. 3

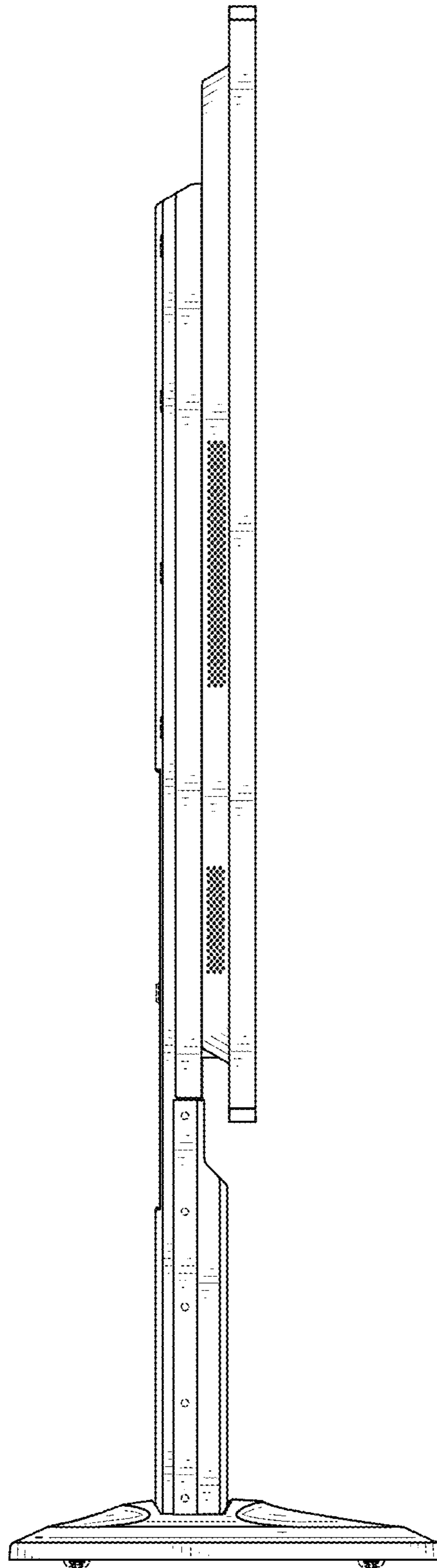


FIG. 4

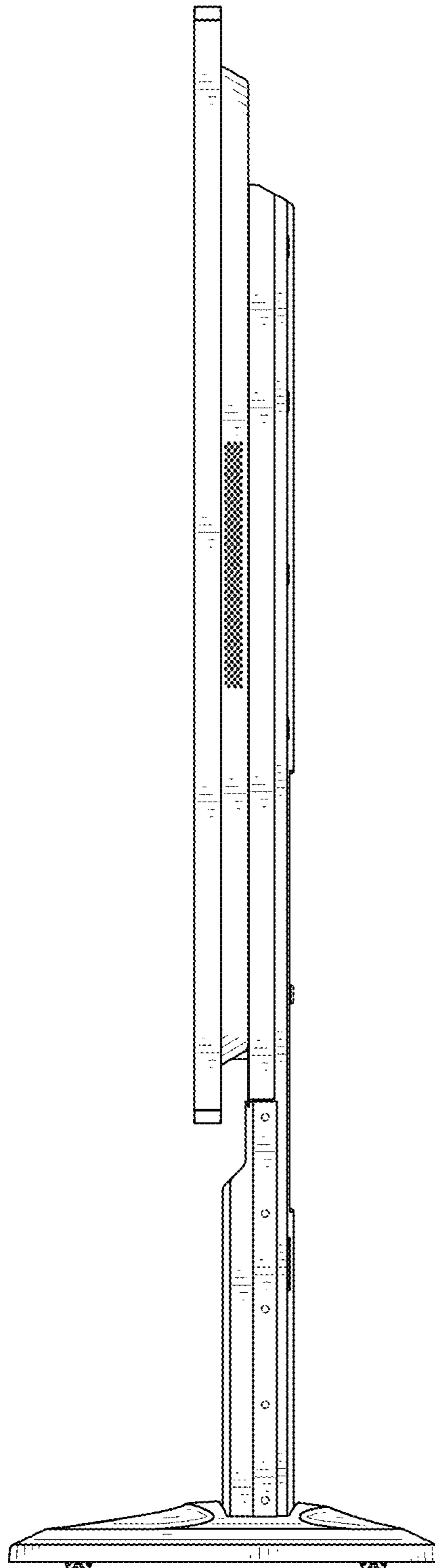


FIG. 5

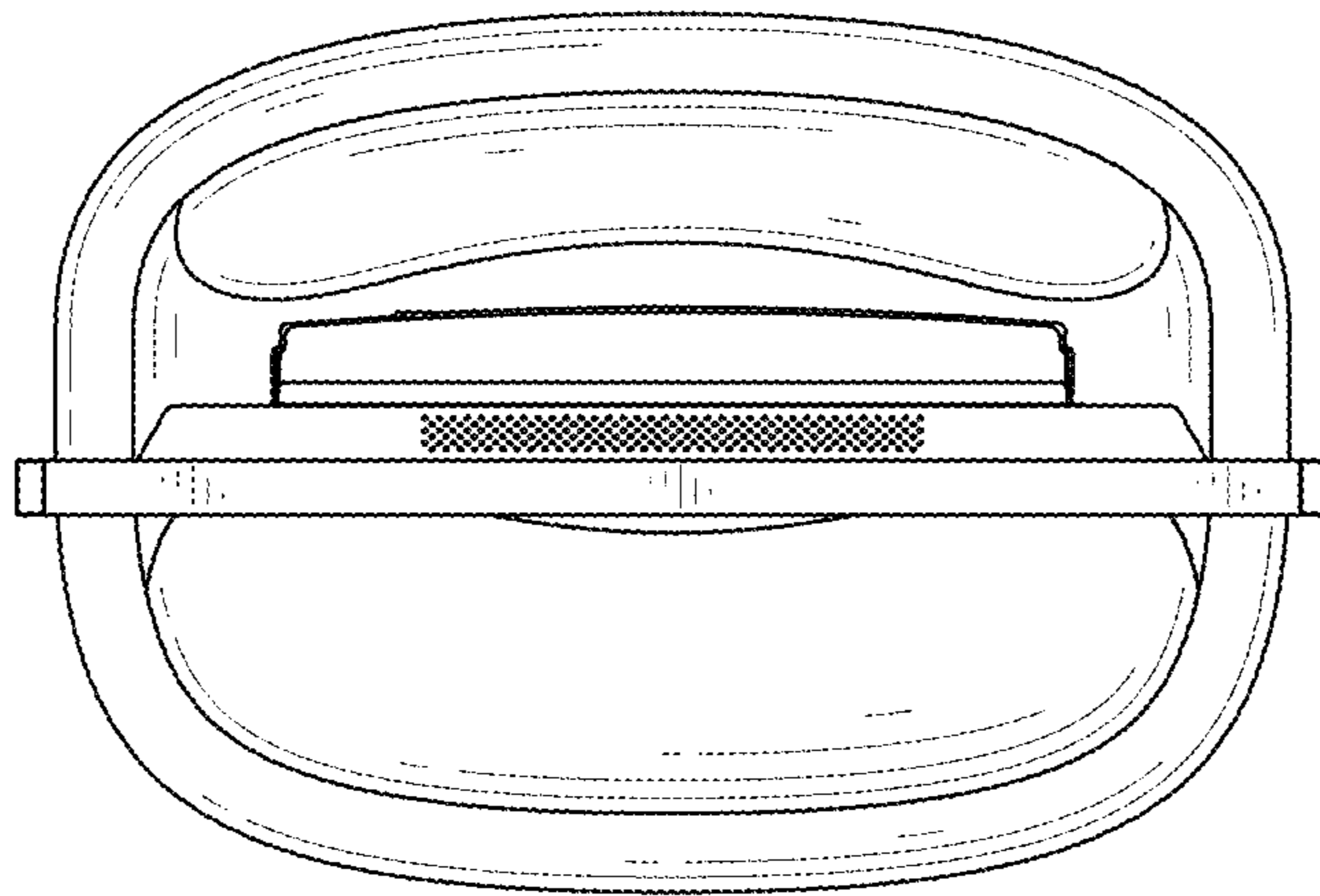


FIG. 6

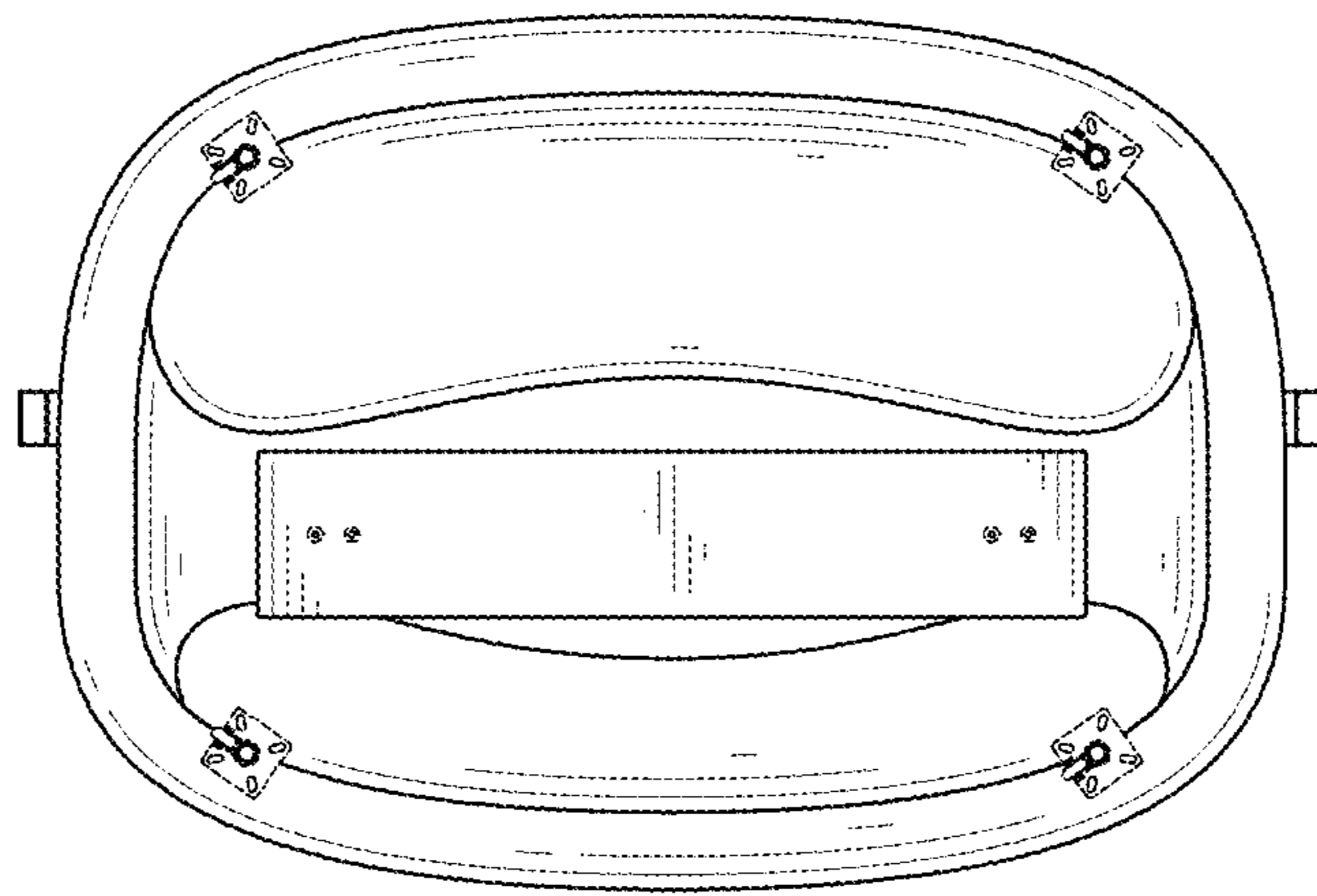


FIG. 7



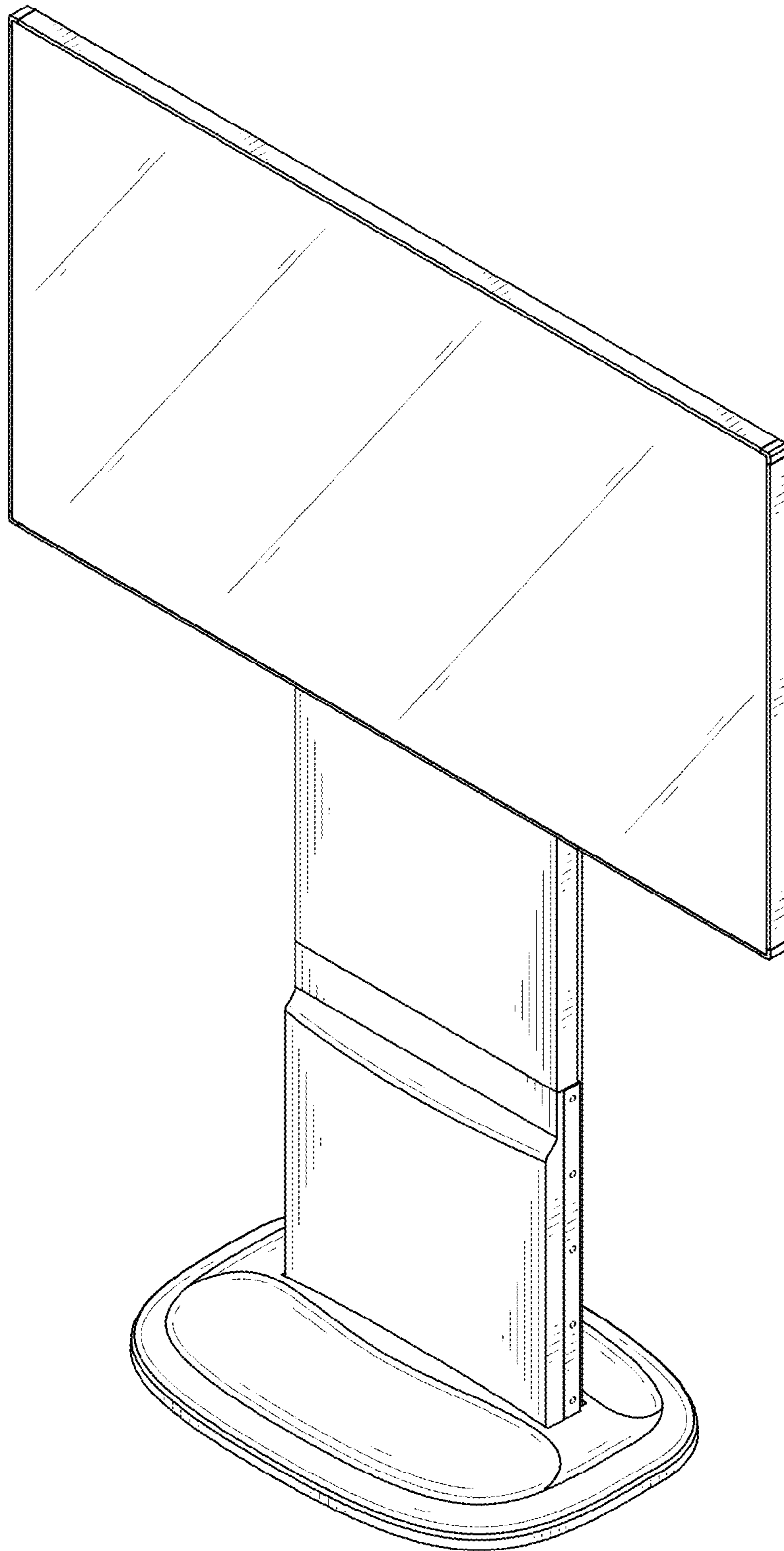


FIG. 8