



US00D739462S

(12) **United States Design Patent**
Villarreal

(10) **Patent No.:** **US D739,462 S**

(45) **Date of Patent:** **** *Sep. 22, 2015**

(54) **BOOKMARK**

(76) Inventor: **Susan L. Villarreal**, East Providence, RI
(US)

(*) Notice: This patent is subject to a terminal disclaimer.

(**) Term: **14 Years**

(21) Appl. No.: **29/382,326**

(22) Filed: **Dec. 31, 2010**

(51) **LOC (10) Cl.** **19-99**

(52) **U.S. Cl.**

USPC **D19/34**

(58) **Field of Classification Search**

USPC D19/1, 2, 26-33, 34, 65, 81, 86, 90-91,
D19/99, 88, 100; D8/394-395; 24/67 R,
24/67.9, 67.1, 67.2, 507; 281/30, 42, 45,
281/92; 116/234-240; 40/124.01, 124.08,
40/124.09; D11/78.1, 223; D9/600;
206/214, 224, 271

See application file for complete search history.

(56) **References Cited**

U.S. PATENT DOCUMENTS

D25,703 S *	6/1896	Rothert	D19/34
1,385,991 A *	8/1921	French	281/42
2,271,807 A *	2/1942	Shaughnessy	281/42
D190,556 S *	6/1961	Heathman	D19/34
D271,888 S *	12/1983	Dolas	D19/34
4,436,053 A *	3/1984	Zeisky	116/237
D358,984 S *	6/1995	Vandenbelt	D19/34

D552,173 S *	10/2007	Scolaro	D19/34
D624,589 S *	9/2010	Robbins	D19/34
D629,845 S *	12/2010	Robbins	D19/34

* cited by examiner

Primary Examiner — John Windmuller

Assistant Examiner — Steven Czyz

(74) *Attorney, Agent, or Firm* — Salter & Michaelson

(57) **CLAIM**

The ornamental design for a bookmark, as shown and described.

DESCRIPTION

FIG. 1 is a front view of my new, original, and ornamental design for a bookmark;

FIG. 2 is a rear view of the bookmark of FIG. 1;

FIG. 3 is an enlarged top view of the bookmark of FIG. 1;

FIG. 4 is an enlarged bottom view of the bookmark of FIG. 1;

FIG. 5 is a perspective view of the bookmark of FIG. 1;

FIG. 6 is a front perspective view of FIG. 1, shown with environment and the ribbon in an alternate position of use;

FIG. 7 is a rear perspective view of FIG. 1, shown with environment and the ribbon in an alternate position of use; and,

FIG. 8 is a side view of the bookmark of FIG. 1.

The broken line showing of details in FIGS. 1-8 is included for the purpose of showing environmental portions of the bookmark and forms no part of the claimed design.

A specific length to the top portion of the bookmark forms no part of the claimed design.

1 Claim, 5 Drawing Sheets

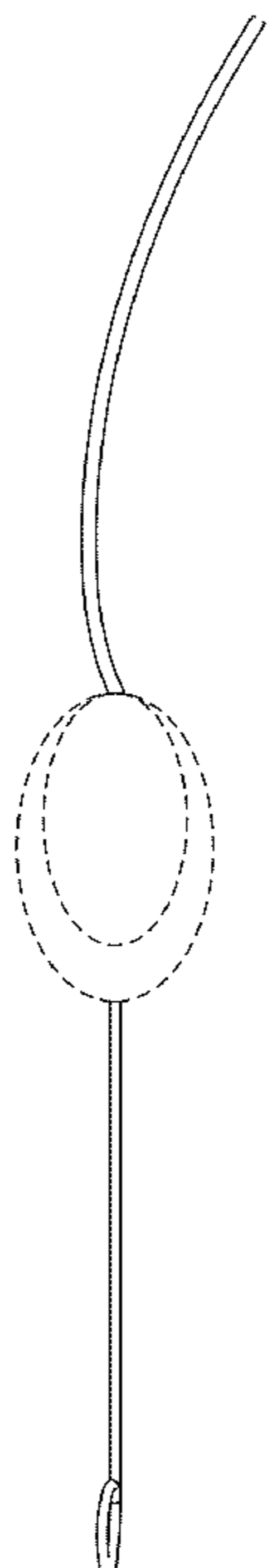


FIG. 1

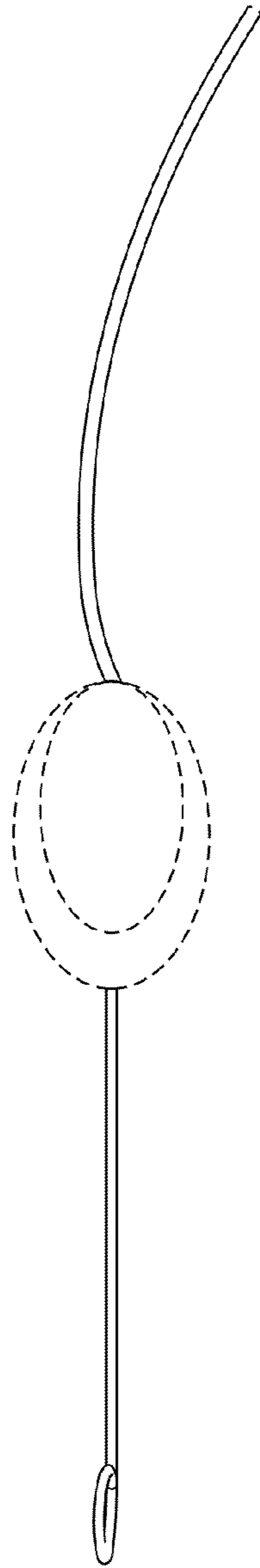


FIG. 2

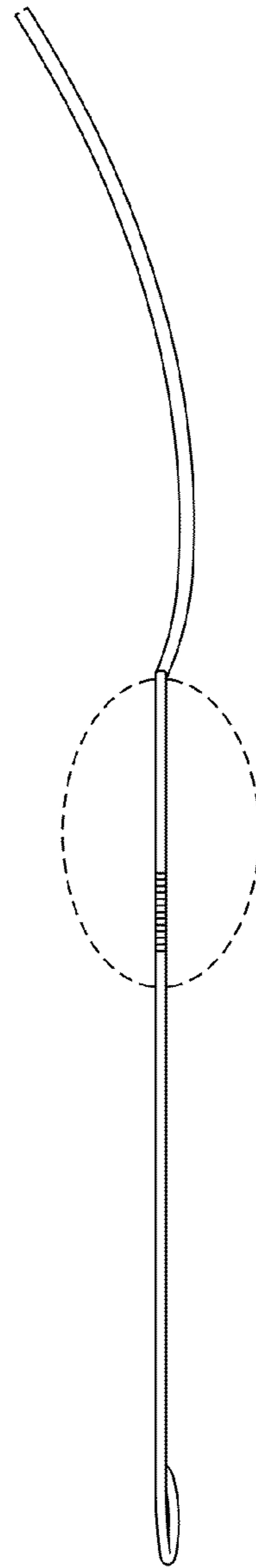


FIG. 3

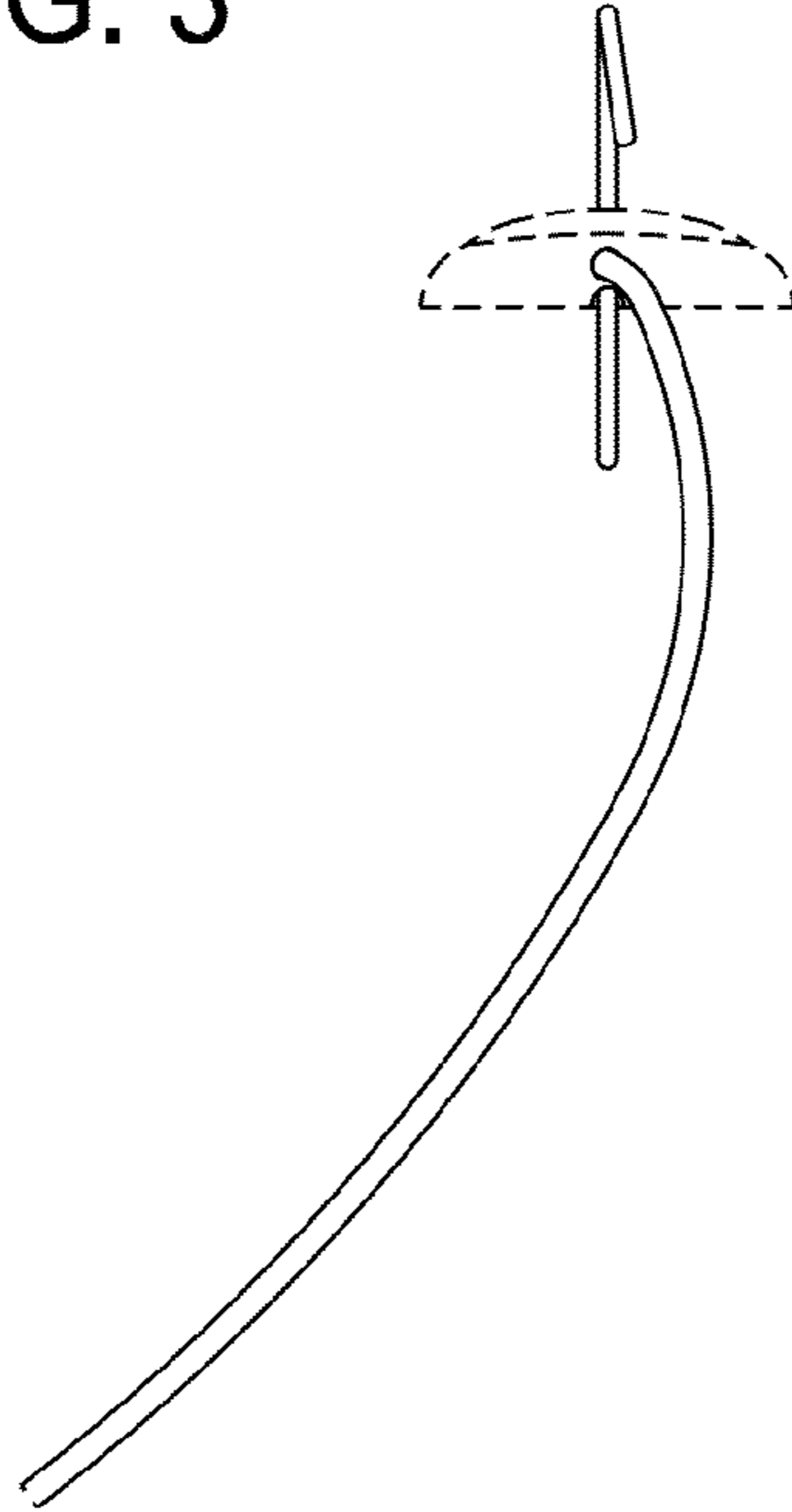
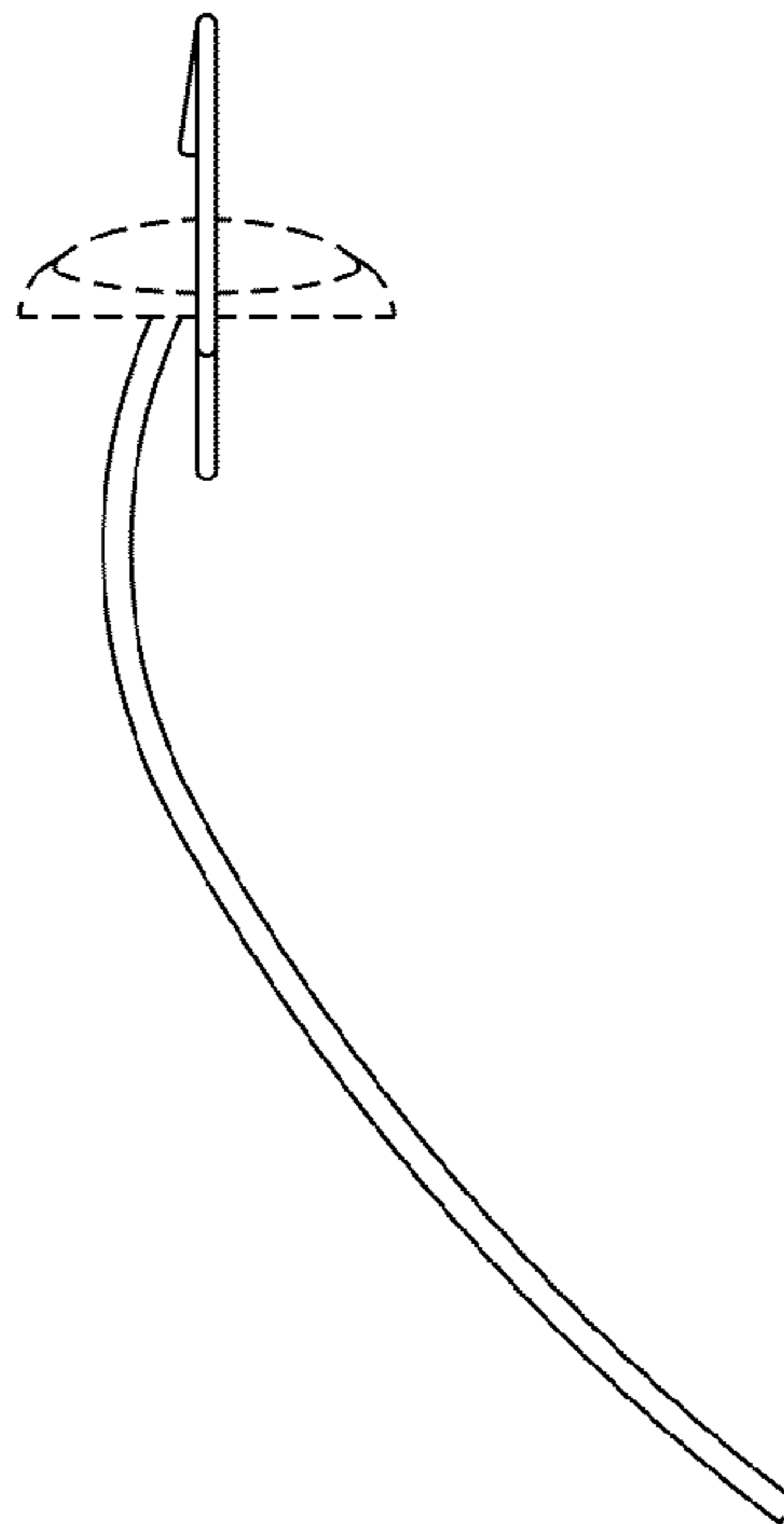


FIG. 4



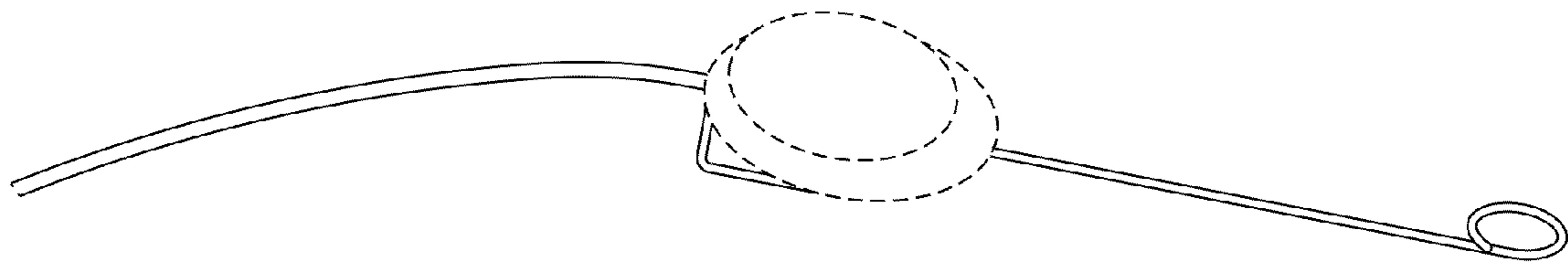


FIG. 5

FIG. 6

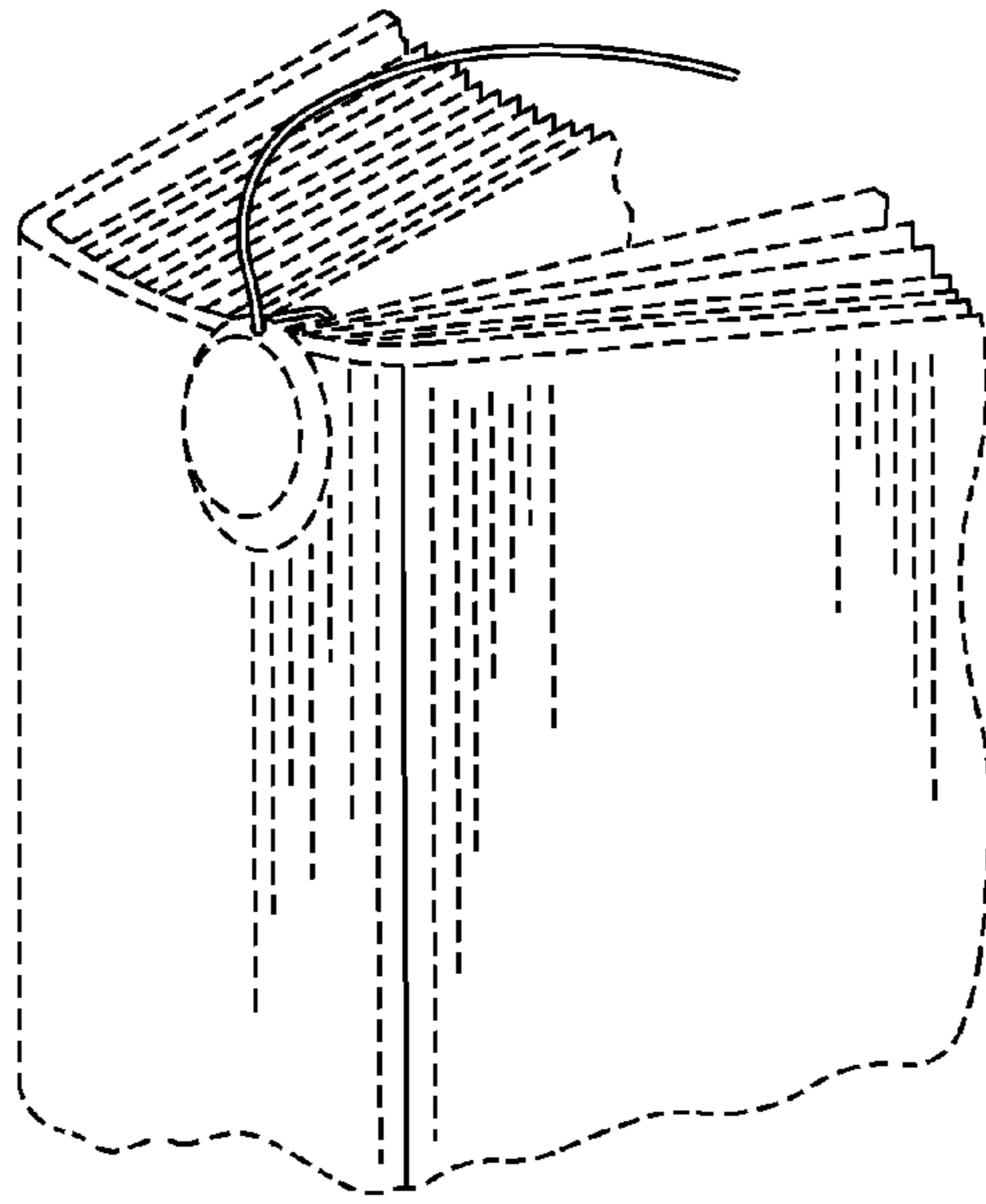
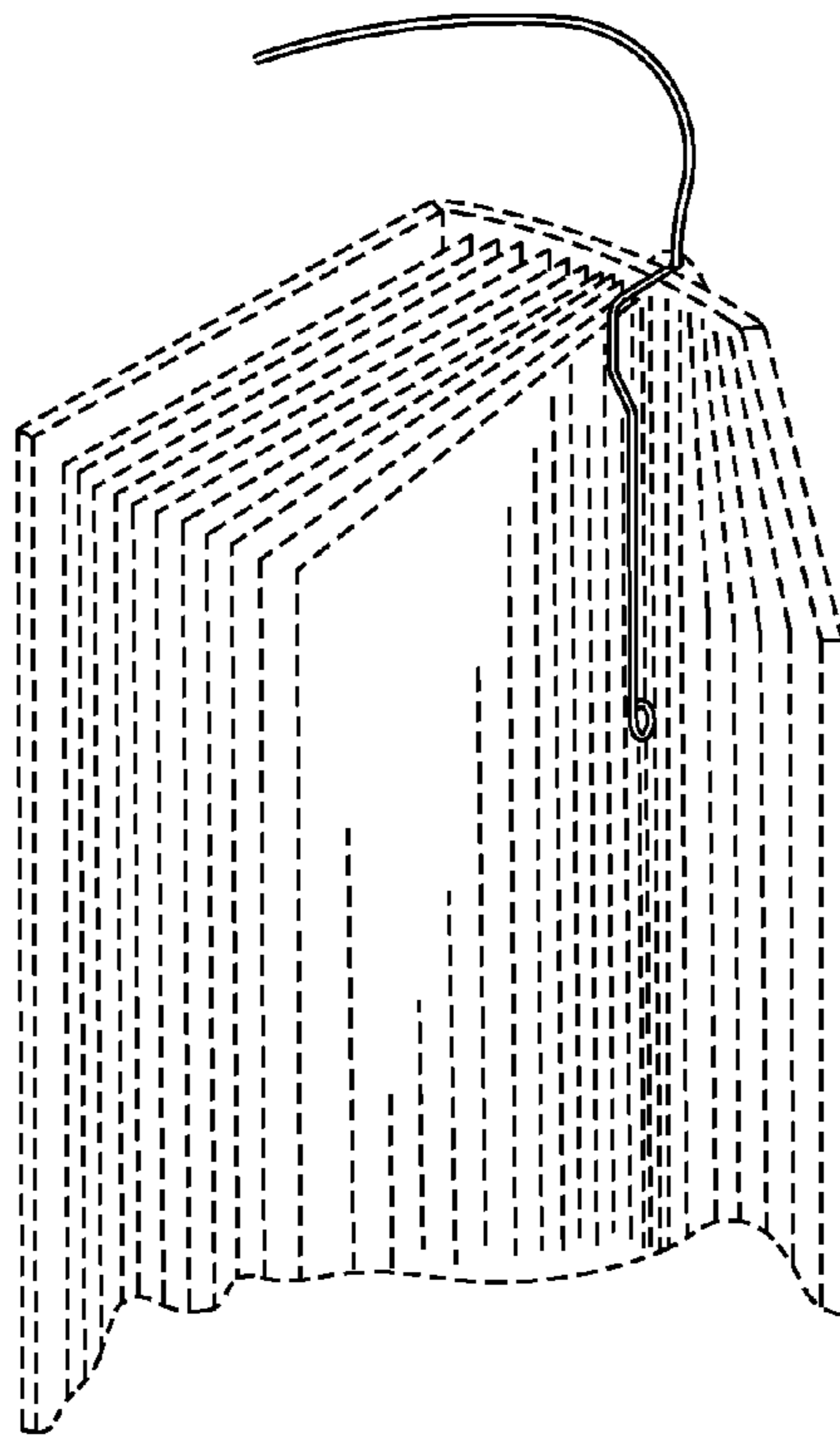


FIG. 7



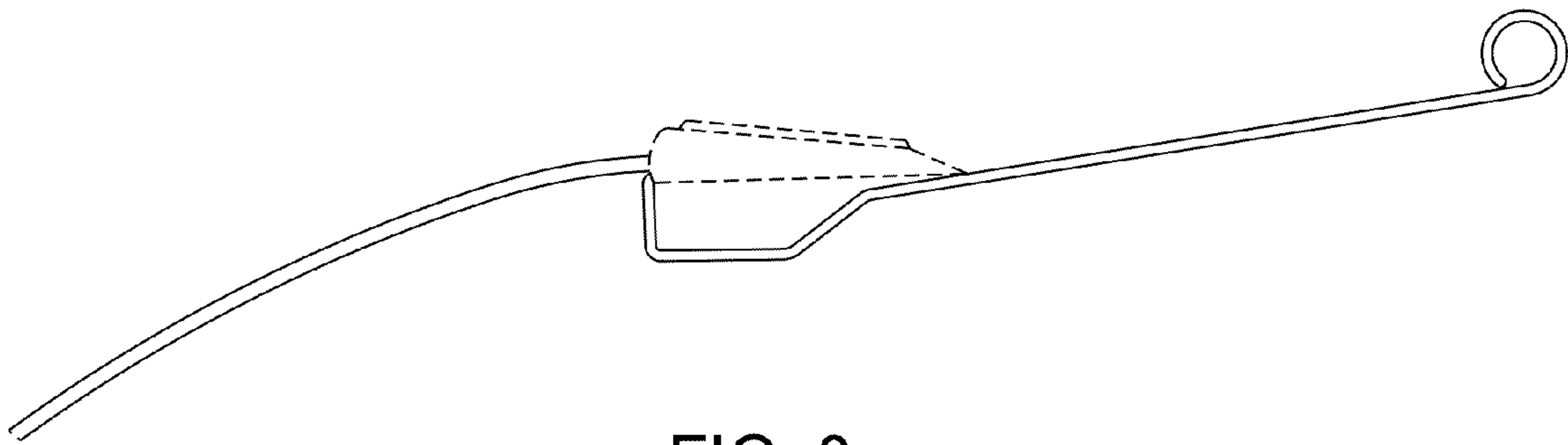


FIG. 8