



US00D739459S

(12) **United States Design Patent**
Murata et al.

(10) **Patent No.:** **US D739,459 S**
(45) **Date of Patent:** **** Sep. 22, 2015**

(54) **PRINTER**

(56) **References Cited**

(71) Applicant: **SEIKO EPSON CORPORATION,**
Tokyo (JP)

U.S. PATENT DOCUMENTS

(72) Inventors: **Shoichi Murata,** Nagano (JP); **Kenichi Hirabayashi,** Shiojiri (JP); **Hiroto Miyauchi,** Matsumoto (JP); **Ayumu Nakamura,** Matsumoto (JP)

3,561,581	A *	2/1971	Takenaka	D18/54
D362,673	S *	9/1995	Yamamoto	D18/19
6,236,486	B1 *	5/2001	Nocker, IV	398/129
D474,805	S *	5/2003	Gotham et al.	D18/50
D528,151	S *	9/2006	Hattori	D18/50
D528,587	S *	9/2006	Nakaeda	D18/19
D579,043	S *	10/2008	Hattori et al.	D18/50
D641,394	S *	7/2011	Inada	D18/50
D689,542	S *	9/2013	Klocke et al.	D18/50
D694,319	S *	11/2013	Nakagawa	D18/50

(73) Assignee: **SEIKO EPSON CORPORATION,**
Tokyo (JP)

FOREIGN PATENT DOCUMENTS

(**) Term: **14 Years**

JP 1491367 S 3/2014

(21) Appl. No.: **29/489,684**

* cited by examiner

(22) Filed: **May 2, 2014**

Primary Examiner — Cathy A MacCormac

(30) **Foreign Application Priority Data**

(57) **CLAIM**
The ornamental design for a printer, as shown and described.

Nov. 5, 2013 (JP) 2013-025803

DESCRIPTION

(51) **LOC (10) Cl.** **14-02**

FIG. 1 is a front, top and right side perspective view of a printer showing our new design;
FIG. 2 is a rear, top and left side perspective view thereof;
FIG. 3 is a front view thereof;
FIG. 4 is a rear view thereof;
FIG. 5 is a top plan view thereof;
FIG. 6 is a bottom plan view thereof;
FIG. 7 is a right side view thereof; and,
FIG. 8 is a left side view thereof.

(52) **U.S. Cl.**

USPC **D18/50**

(58) **Field of Classification Search**

USPC D18/36-39, 50, 54, 54.1, 55, 14, 19;
D14/420-425, 462-470; 400/613,
400/613.1-613.4, 690.1-690.4, 691-694

CPC B41J 1/46; B41J 3/36; B41J 9/26;
B41J 15/00; B41J 29/02; B41J 29/13; B41J
35/36; B65H 35/06; G03G 21/00; G03G
21/16; G03G 15/10; G06F 3/12; G06K 15/14

See application file for complete search history.

The features shown in broken lines in the drawings depict environmental subject matter only and form no part of the claimed design.

1 Claim, 8 Drawing Sheets

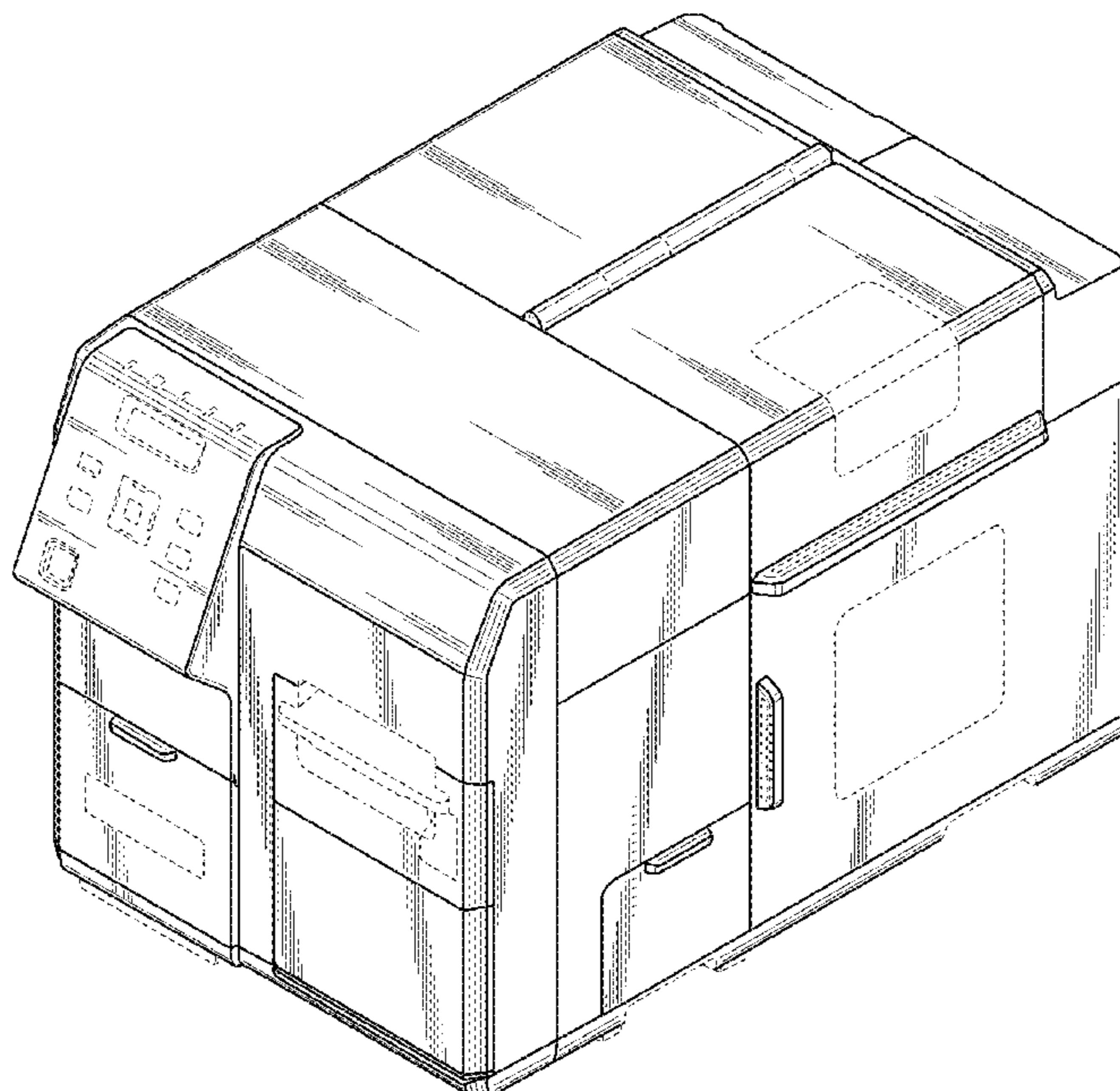


FIG. 1

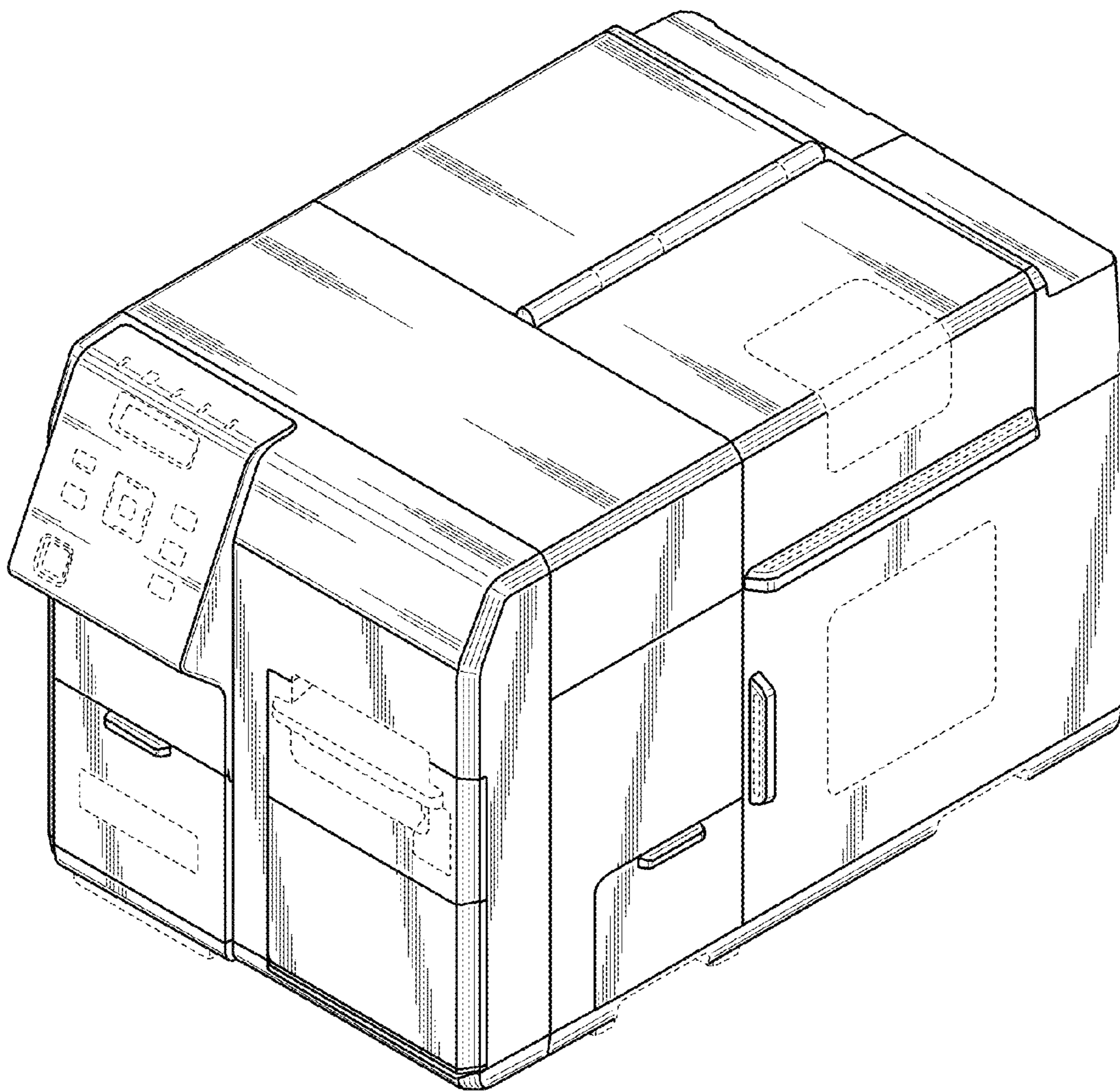


FIG. 2

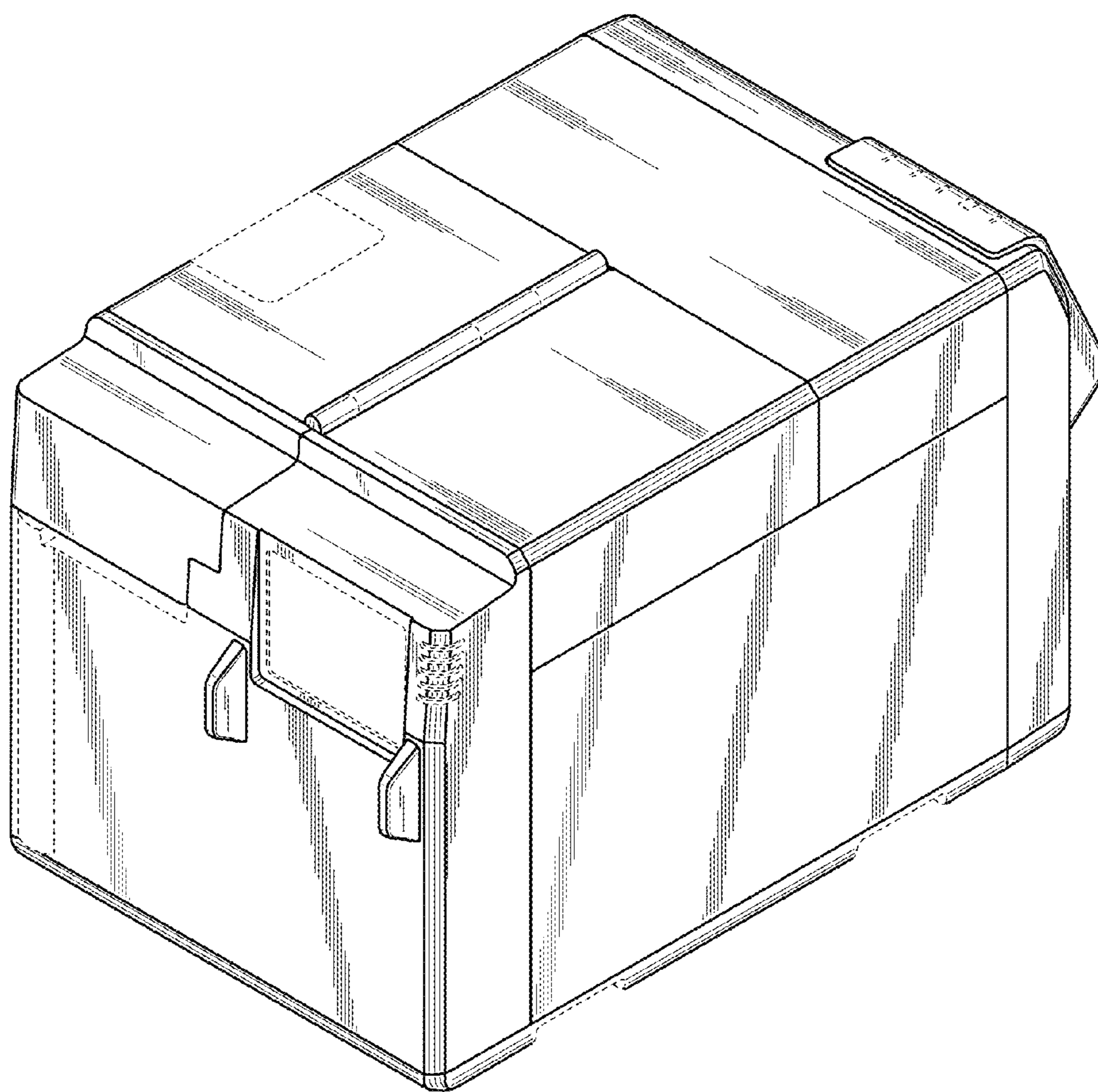


FIG. 3

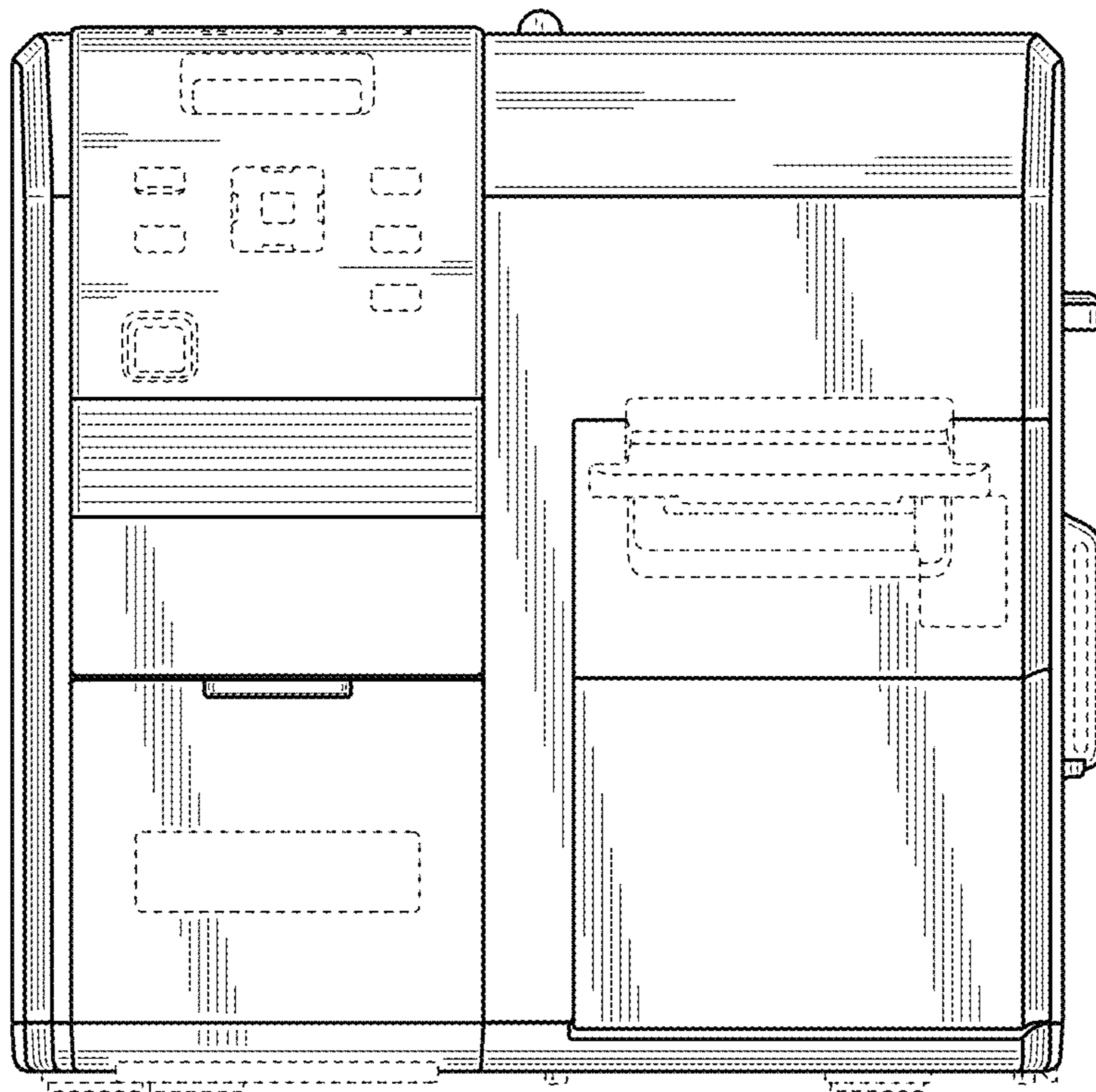


FIG. 4

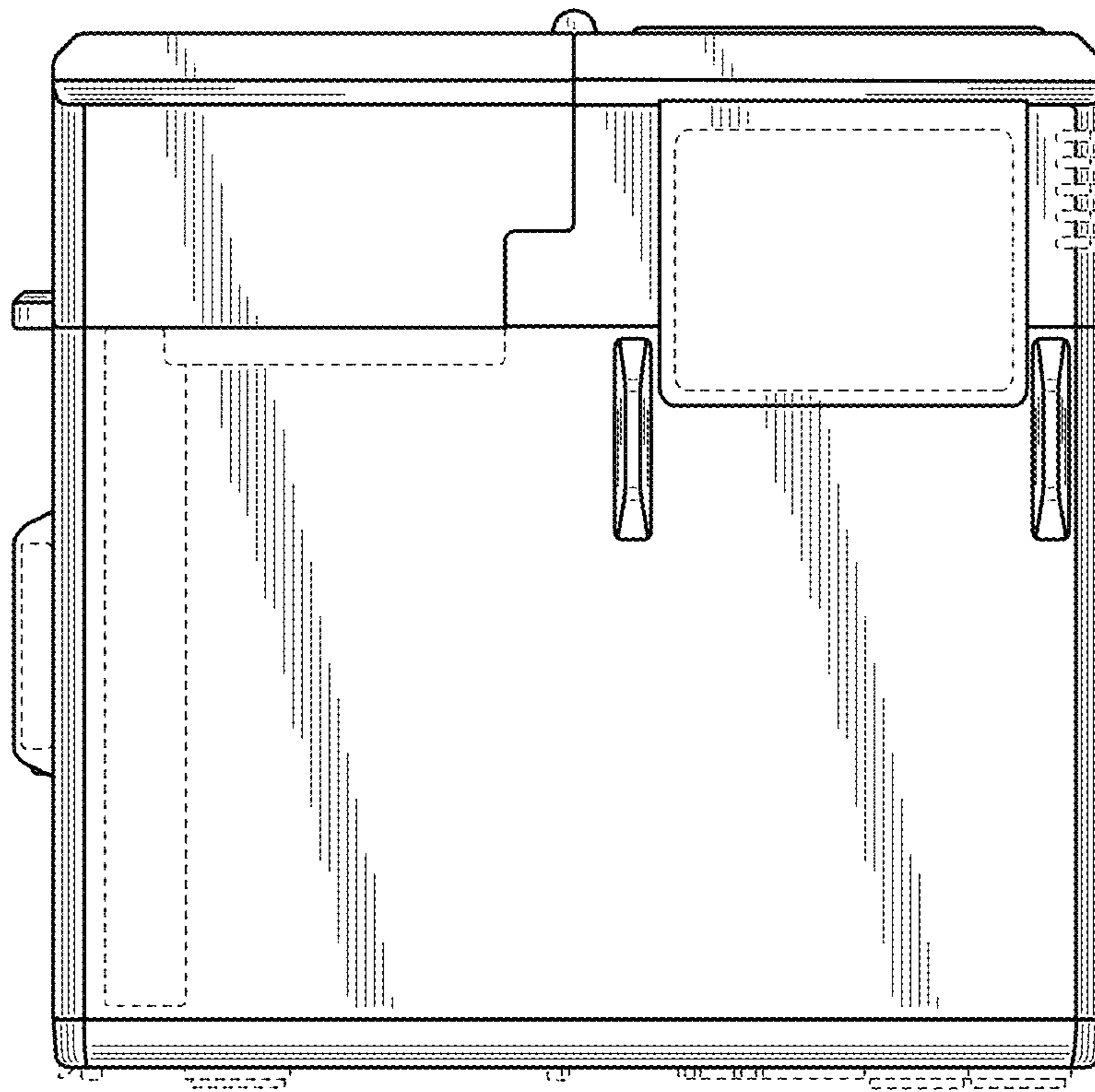


FIG. 5

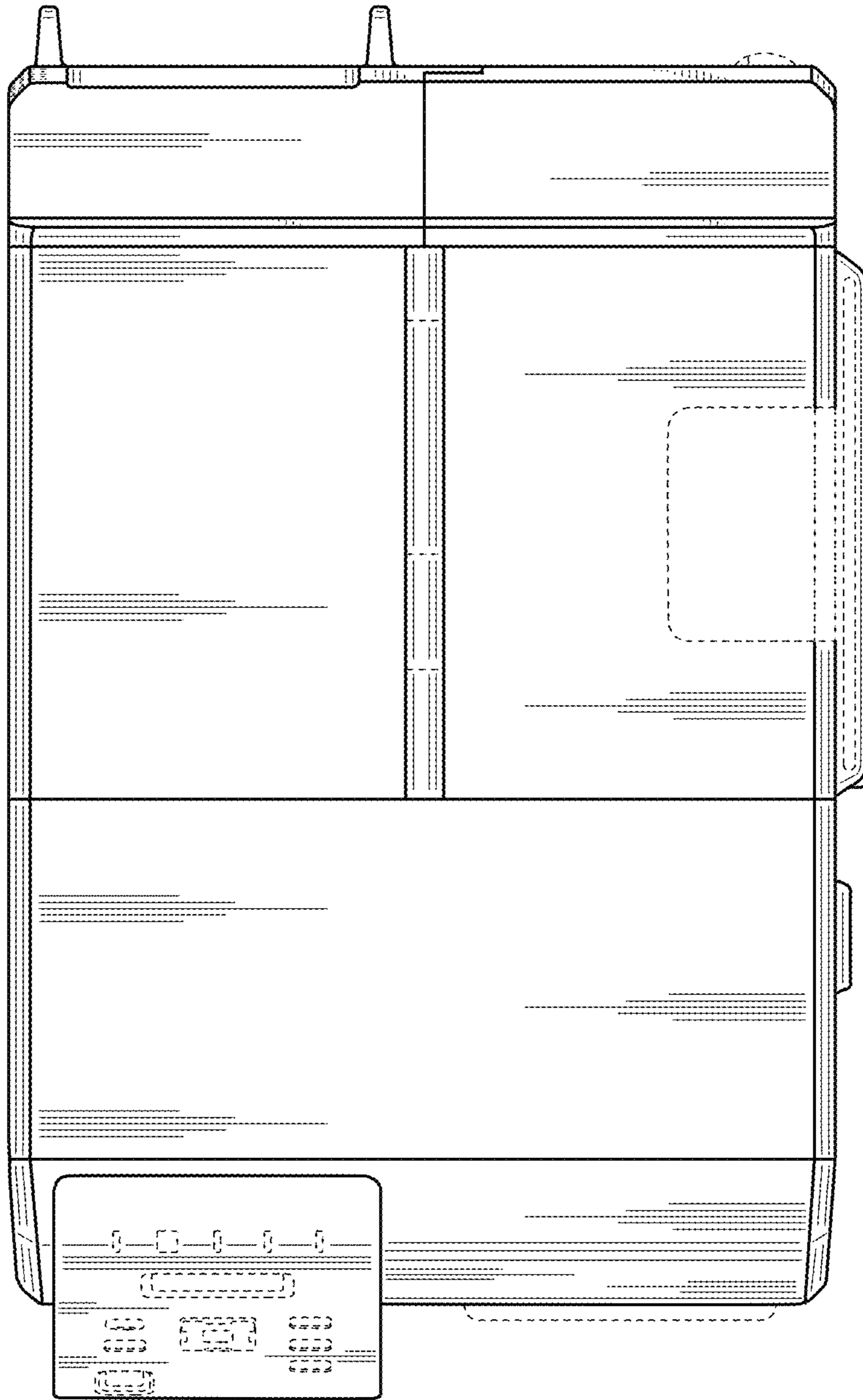


FIG. 6

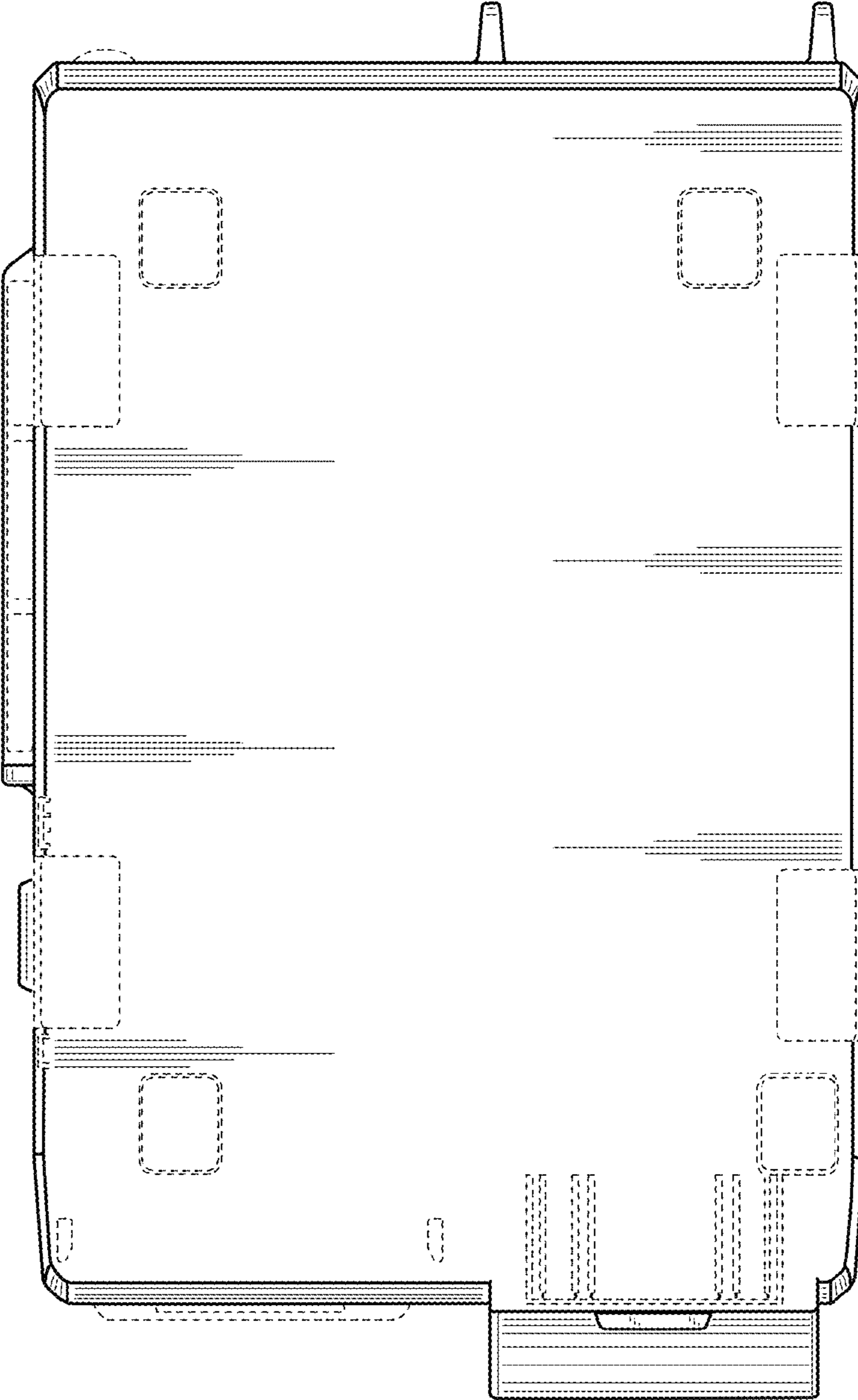


FIG. 7

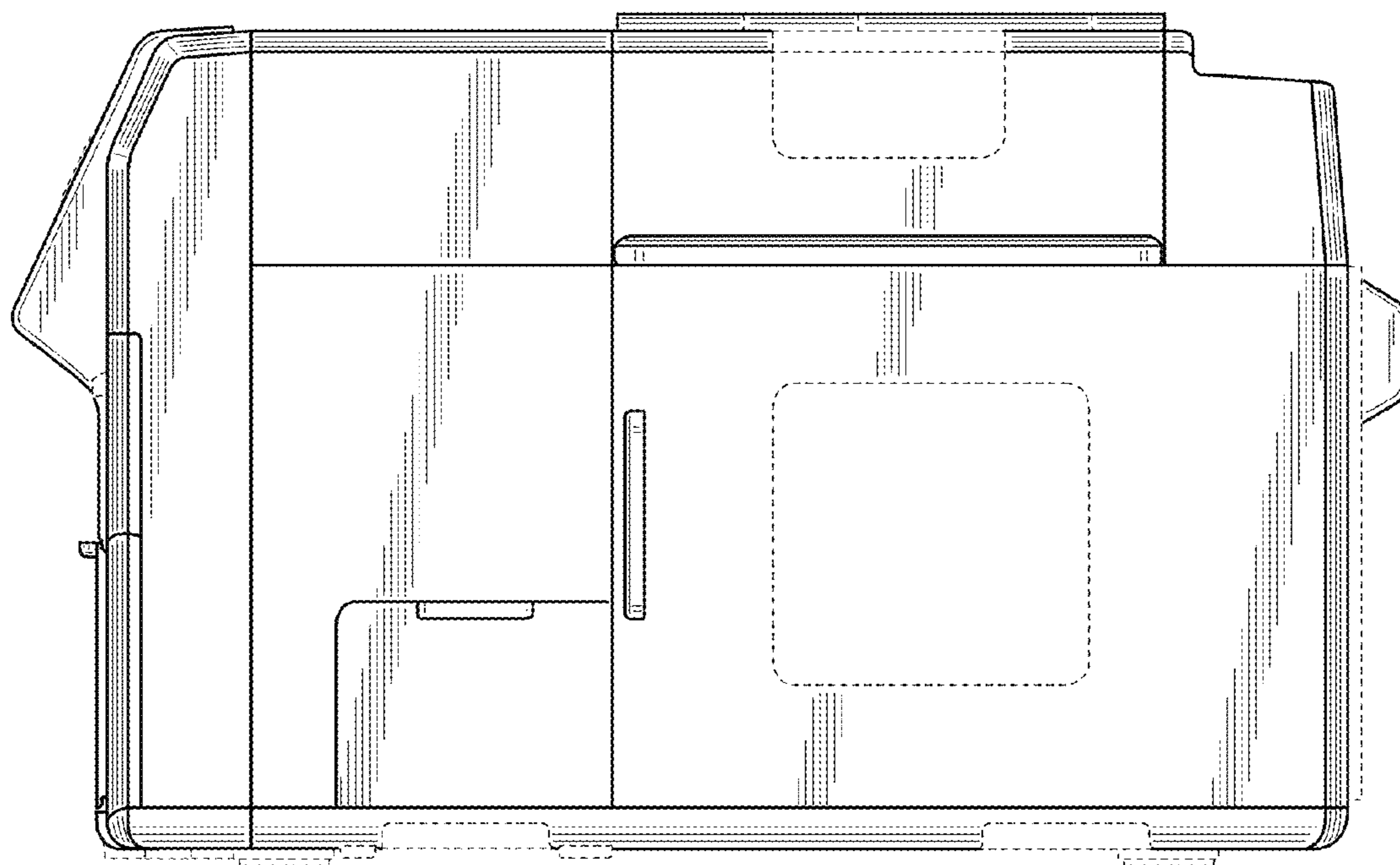


FIG. 8

