



US00D739457S

(12) **United States Design Patent**  
**Moritz**

(10) **Patent No.:** **US D739,457 S**  
(45) **Date of Patent:** **\*\* Sep. 22, 2015**

(54) **EYEGLOSS COMPONENTS**  
(71) Applicant: **Oakley, Inc.**, Foothill Ranch, CA (US)  
(72) Inventor: **Hans Karsten Moritz**, Foothill Ranch, CA (US)  
(73) Assignee: **Oakley, Inc.**, Foothill Ranch, CA (US)  
(\*\*) Term: **14 Years**

D264,094 S 4/1982 Morris  
D268,683 S 4/1983 Tenny  
D285,020 S 8/1986 Schmidthaler  
D372,726 S 8/1996 Simioni  
D377,803 S 2/1997 Wilson  
D378,375 S 3/1997 Tsai  
D390,589 S 2/1998 Simioni  
D397,351 S 8/1998 Simioni

(Continued)

(21) Appl. No.: **29/494,385**  
(22) Filed: **Jun. 19, 2014**

FOREIGN PATENT DOCUMENTS

JP 1271958 4/2006  
JP 1484751 11/2013

OTHER PUBLICATIONS

Motorboating.com, p. 80 (HB22007643) dated Nov./Dec. 2010, in 1 page.

(Continued)

**Related U.S. Application Data**

(62) Division of application No. 29/477,335, filed on Dec. 20, 2013, now Pat. No. Des. 717,363.

(51) **LOC (10) Cl.** ..... **16-06**

(52) **U.S. Cl.**  
USPC ..... **D16/335**

(58) **Field of Classification Search**  
USPC ..... D16/101, 300-342, 900; D29/109-110;  
351/41, 44-46, 51-52, 62, 158, 92,  
351/103-123, 140-153, 63, 59, 156; 2/13,  
2/15, 426-432, 447-449, 441, 434-437;  
D21/483, 659-661

CPC ..... G02C 2200/08; G02C 1/06; G02C 11/02;  
G02C 11/04

See application file for complete search history.

*Primary Examiner* — Raphael Barkai

(74) *Attorney, Agent, or Firm* — Knobbe Martens Olson & Bear, LLP

(57) **CLAIM**

The ornamental design for eyeglass components, as shown and described.

**DESCRIPTION**

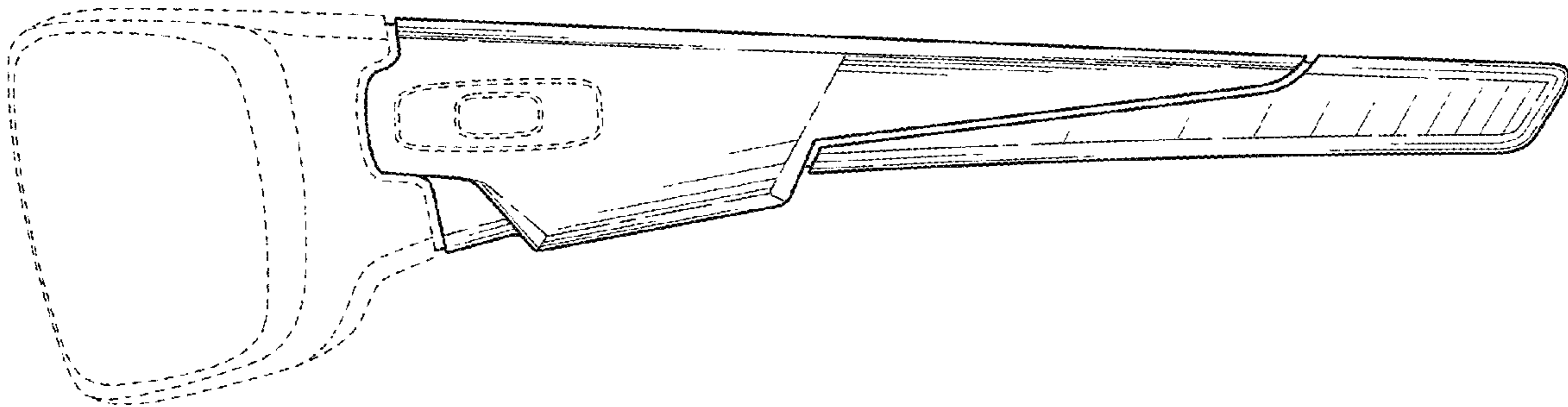
FIG. 1 is a front perspective view of eyeglass components showing an embodiment of my new design;  
FIG. 2 is a front elevational view thereof;  
FIG. 3 is a rear elevational view thereof;  
FIG. 4 is a left side elevational view thereof, the right side elevational view being a mirror image thereof;  
FIG. 5 is a top plan view thereof; and,  
FIG. 6 is a bottom plan view thereof.  
The broken lines in the Figures show portions of the eyeglass which form no part of the claimed design.

**1 Claim, 5 Drawing Sheets**

(56) **References Cited**

U.S. PATENT DOCUMENTS

D192,885 S 5/1962 Petitto  
D193,028 S 6/1962 Petitto  
D199,150 S 9/1964 Carmichael  
D202,658 S 10/1965 Petitto  
D204,812 S 5/1966 Schnidler  
D209,862 S 1/1968 McCracken  
D210,418 S 3/1968 Bloch  
D218,569 S 9/1970 McCracken



(56)

References Cited

U.S. PATENT DOCUMENTS

D399,238 S 10/1998 Simioni  
 D400,230 S 10/1998 Arnette  
 D406,858 S 3/1999 Arnette  
 D407,099 S 3/1999 Wang  
 D411,560 S 6/1999 Arnette  
 D414,796 S 10/1999 Arnette  
 D415,515 S 10/1999 Arnette et al.  
 D420,035 S 2/2000 Hartman  
 D422,010 S 3/2000 Arnette  
 D430,591 S 9/2000 Arnette  
 D449,641 S 10/2001 Arnette  
 D481,063 S 10/2003 Lane  
 D488,499 S 4/2004 Mage  
 D500,781 S 1/2005 Mage  
 D518,847 S 4/2006 Teng  
 D532,033 S 11/2006 Mangum  
 D534,572 S 1/2007 Teng  
 D534,573 S 1/2007 Mage  
 D535,318 S 1/2007 Teng  
 D535,319 S 1/2007 Chuang  
 D536,026 S 1/2007 Bruck  
 D536,027 S 1/2007 Paulson  
 D536,028 S 1/2007 Paulson  
 D537,467 S 2/2007 Teng  
 D539,830 S 4/2007 Saderholm et al.  
 D547,794 S 7/2007 Jannard et al.  
 D548,269 S 8/2007 Baden et al.  
 D550,272 S 9/2007 Markovitz  
 D552,665 S 10/2007 Mage  
 D554,689 S 11/2007 Jannard et al.

D556,818 S 12/2007 Jannard et al.  
 D558,816 S 1/2008 Yee  
 D561,810 S 2/2008 Fox et al.  
 D568,371 S 5/2008 Chen  
 D575,323 S 8/2008 Jannard et al.  
 D575,813 S 8/2008 Li  
 D577,759 S 9/2008 Yee  
 D585,928 S 2/2009 Markovitz  
 D594,052 S 6/2009 Yang  
 D595,333 S 6/2009 Markovitz et al.  
 D599,838 S 9/2009 Rohrbach  
 D604,757 S 11/2009 Yee  
 D604,759 S 11/2009 Rohrbach et al.  
 D606,113 S 12/2009 Daems et al.  
 D610,604 S 2/2010 Thixton  
 D616,919 S 6/2010 Thixton  
 D620,970 S 8/2010 Thixton  
 D638,050 S \* 5/2011 Mage ..... D16/327  
 D652,442 S \* 1/2012 Yee et al. .... D16/326  
 D659,179 S 5/2012 Thixton  
 D664,590 S \* 7/2012 Shin ..... D16/326  
 D681,100 S \* 4/2013 Markovitz et al. .... D16/326  
 D682,920 S \* 5/2013 Stables ..... D16/321  
 D704,250 S \* 5/2014 Miera ..... D16/313  
 D706,858 S \* 6/2014 Markovitz et al. .... D16/326  
 D719,210 S \* 12/2014 Votel et al. .... D16/326

OTHER PUBLICATIONS

Oakley, Inc. Home Page (HJ22074199), publishing in 2011, in 1 page.  
 U.S. Appl. No. 29/444,559, filed Jan. 31, 2013, Yoo.

\* cited by examiner

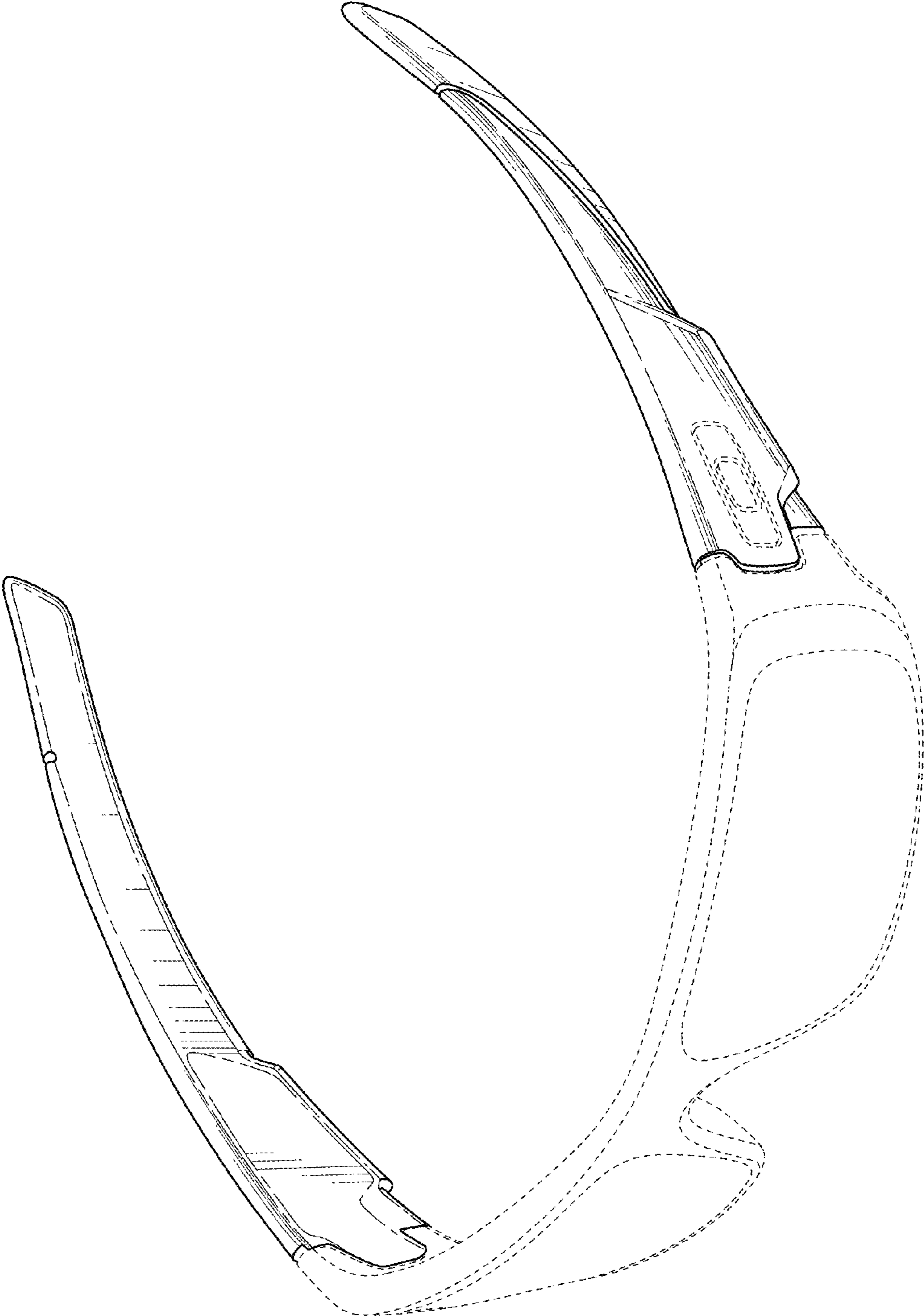


FIG. 1

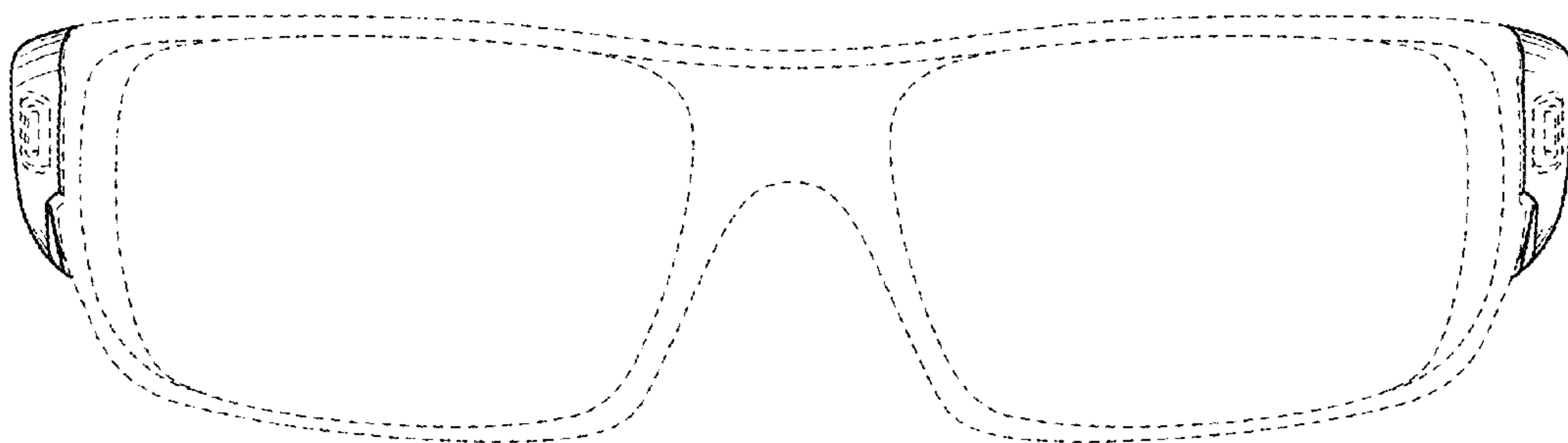


FIG. 2

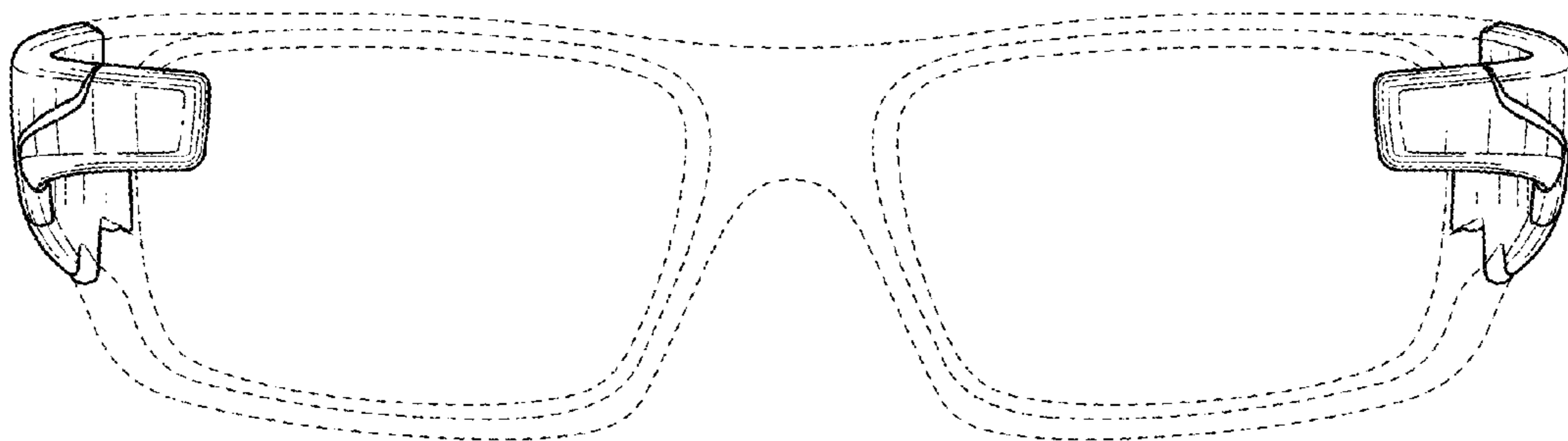


FIG. 3

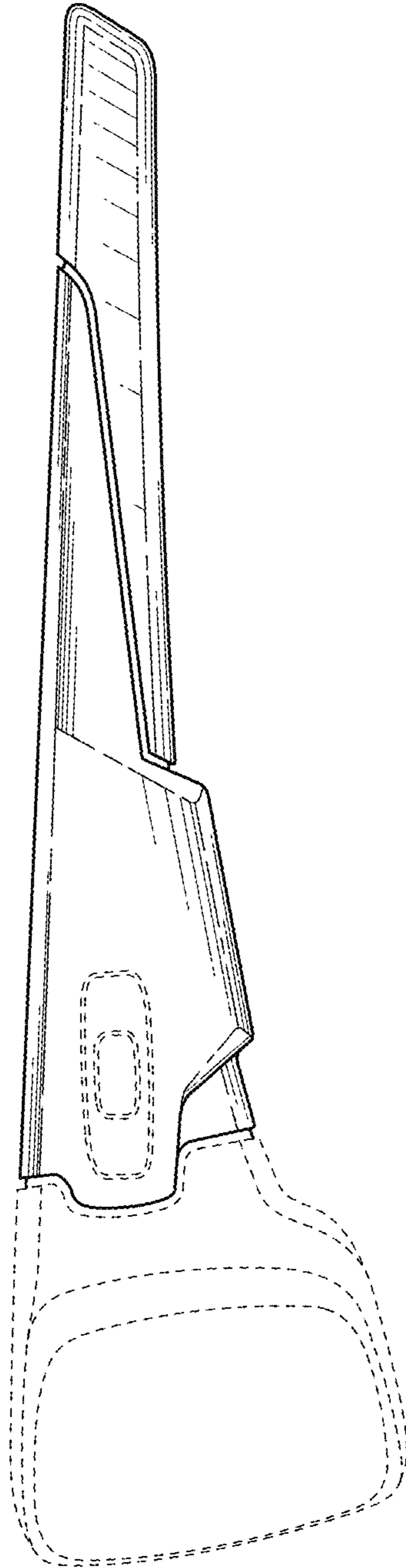


FIG. 4

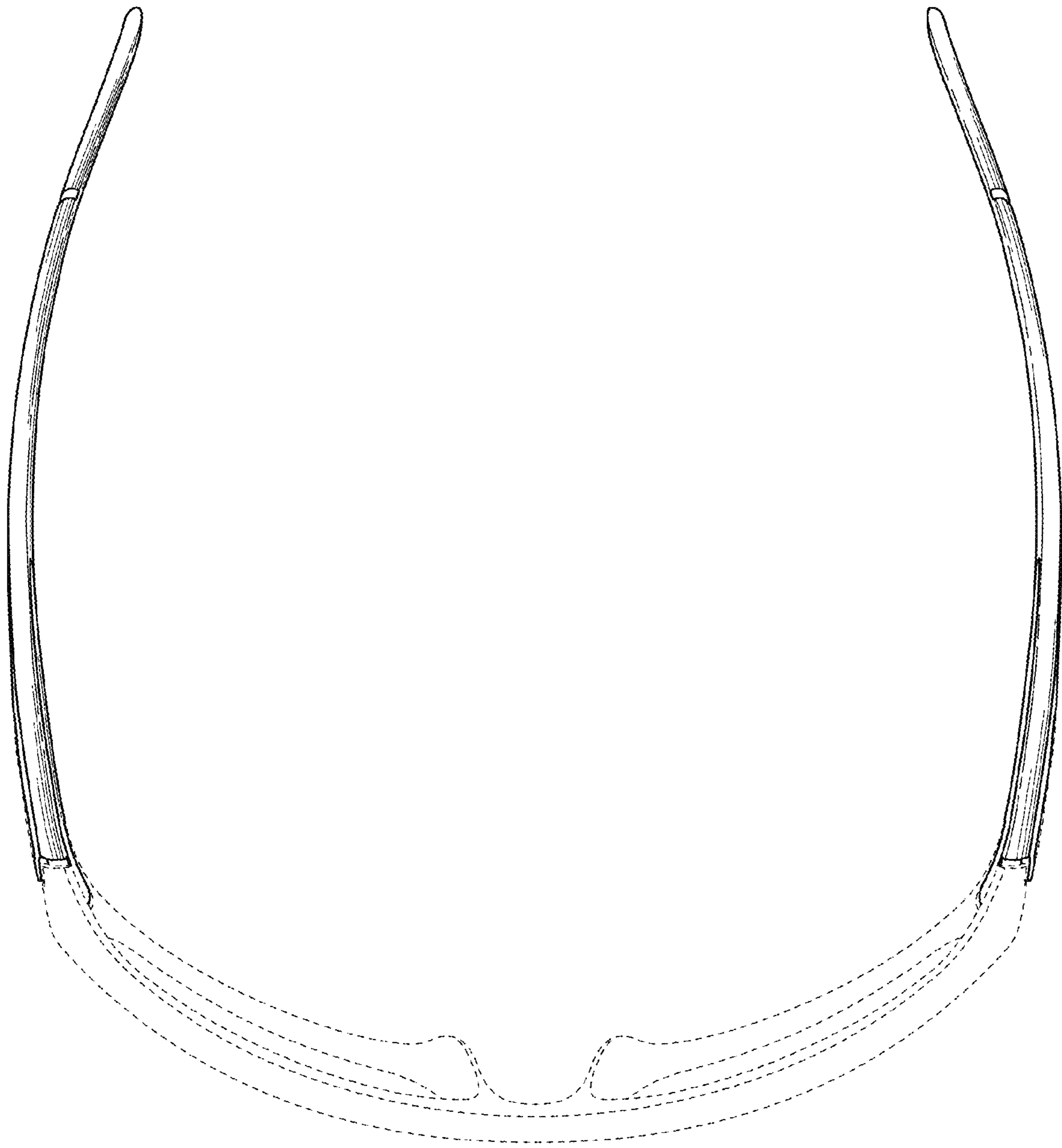


FIG. 5

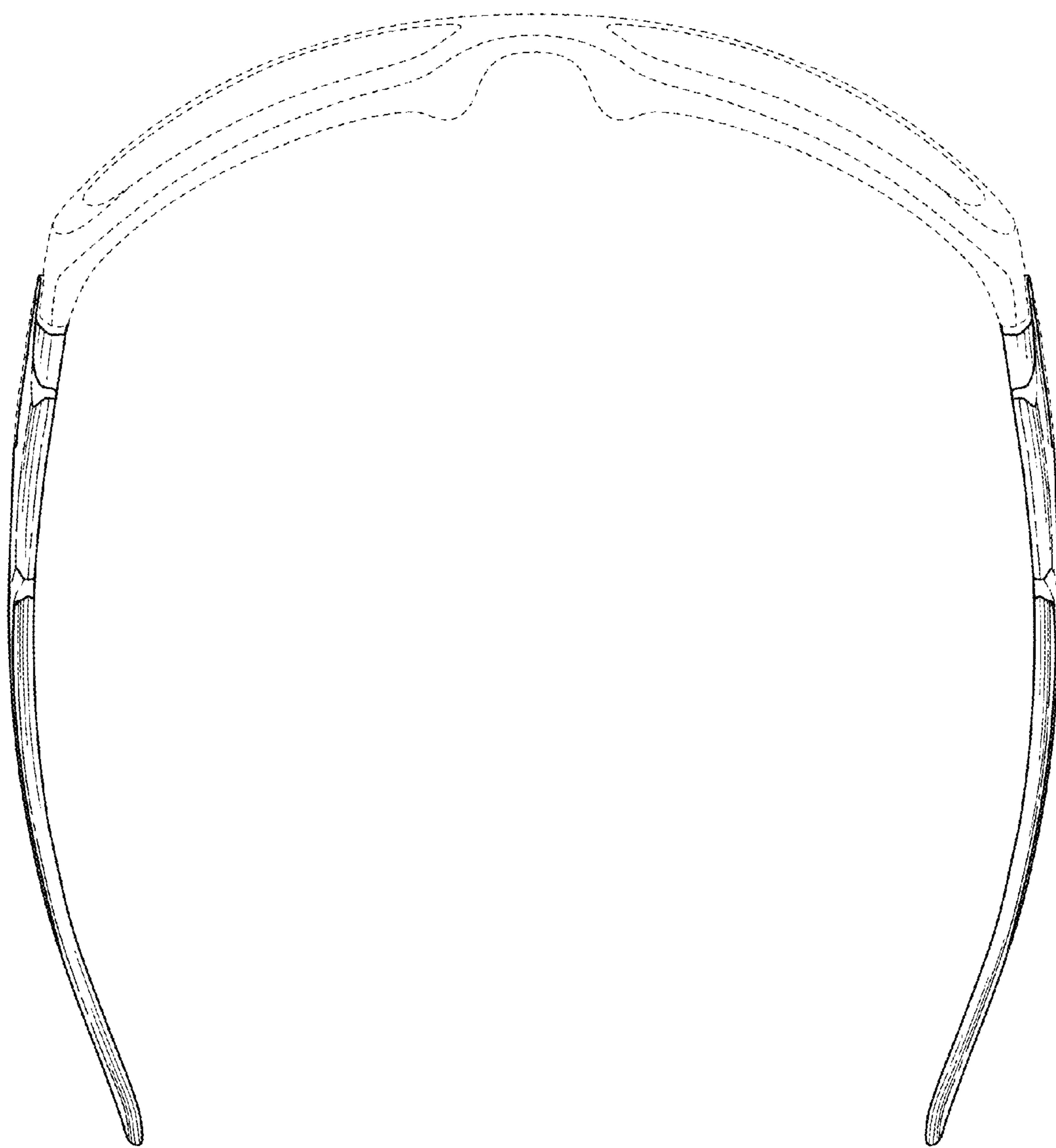


FIG. 6