



US00D739456S

(12) **United States Design Patent**
Poli

(10) **Patent No.:** **US D739,456 S**

(45) **Date of Patent:** **** Sep. 22, 2015**

(54) **TABLE TRIPOD FOR VIDEO AND/OR PHOTOGRAPHIC APPARATUSES**

D533,578 S * 12/2006 Oka D16/244
D643,024 S * 8/2011 Goodman et al. D14/227
2008/0191105 A1* 8/2008 Bogel 248/170

(71) Applicant: **LINO MANFROTTO + CO. S.p.A.**,
Cassola (VI) (IT)

* cited by examiner

(72) Inventor: **Francesca Poli**, Bassano del Grappa (IT)

Primary Examiner — Susan Bennett Hattan

(73) Assignee: **LINO MANFROTTO & CO SPA**,
Cassola (VI) (IT)

Assistant Examiner — Leanne Was

(74) *Attorney, Agent, or Firm* — Kristina Castellano;
Castellano PLLC

(**) Term: **14 Years**

(57) **CLAIM**

The ornamental design for a table tripod for video and/or photographic apparatuses, as shown and described.

(21) Appl. No.: **29/456,919**

(22) Filed: **Jun. 5, 2013**

DESCRIPTION

(30) **Foreign Application Priority Data**

Dec. 27, 2012 (EM) 002159442

(51) **LOC (10) Cl.** **16-05**

(52) **U.S. Cl.**
USPC **D16/244**

(58) **Field of Classification Search**
USPC D6/312, 701; D16/237, 240, 242–245,
D16/250; 248/168–171, 178.1, 183.1,
248/183.2, 185.1, 187.1, 188.5, 188.6,
248/188.7, 188.9, 439, 440.1, 441.1, 448,
248/454, 456, 457, 458, 460, 569, 600;
352/243; 396/419, 428

See application file for complete search history.

FIG. 1 is a plan view from below a table tripod for video and/or photographic apparatuses showing my present design in open configuration;

FIG. 2 is top perspective view from the right thereof;

FIG. 3 is a right elevational view thereof;

FIG. 4 is a front elevational view thereof;

FIG. 5 is a left elevational view thereof; and

FIG. 6 is a plan view from above thereof;

FIG. 7 is a view from below a table tripod for video and/or photographic apparatuses showing my present design in closed configuration;

FIG. 8 is a rear elevational view thereof;

FIG. 9 is a right elevational view thereof;

FIG. 10 is a front elevational view thereof;

FIG. 11 is a left elevational view thereof;

FIG. 12 is a top perspective view from the right thereof; and,

FIG. 13 is a plan view from above thereof.

The broken lines depict portions of the table tripod for video and/or photographic apparatuses that form no part of the claimed design.

(56) **References Cited**

U.S. PATENT DOCUMENTS

3,300,165 A * 1/1967 O’Kane 248/168
D445,123 S * 7/2001 Shen D16/244
D532,436 S * 11/2006 Kruse et al. D16/244

1 Claim, 13 Drawing Sheets

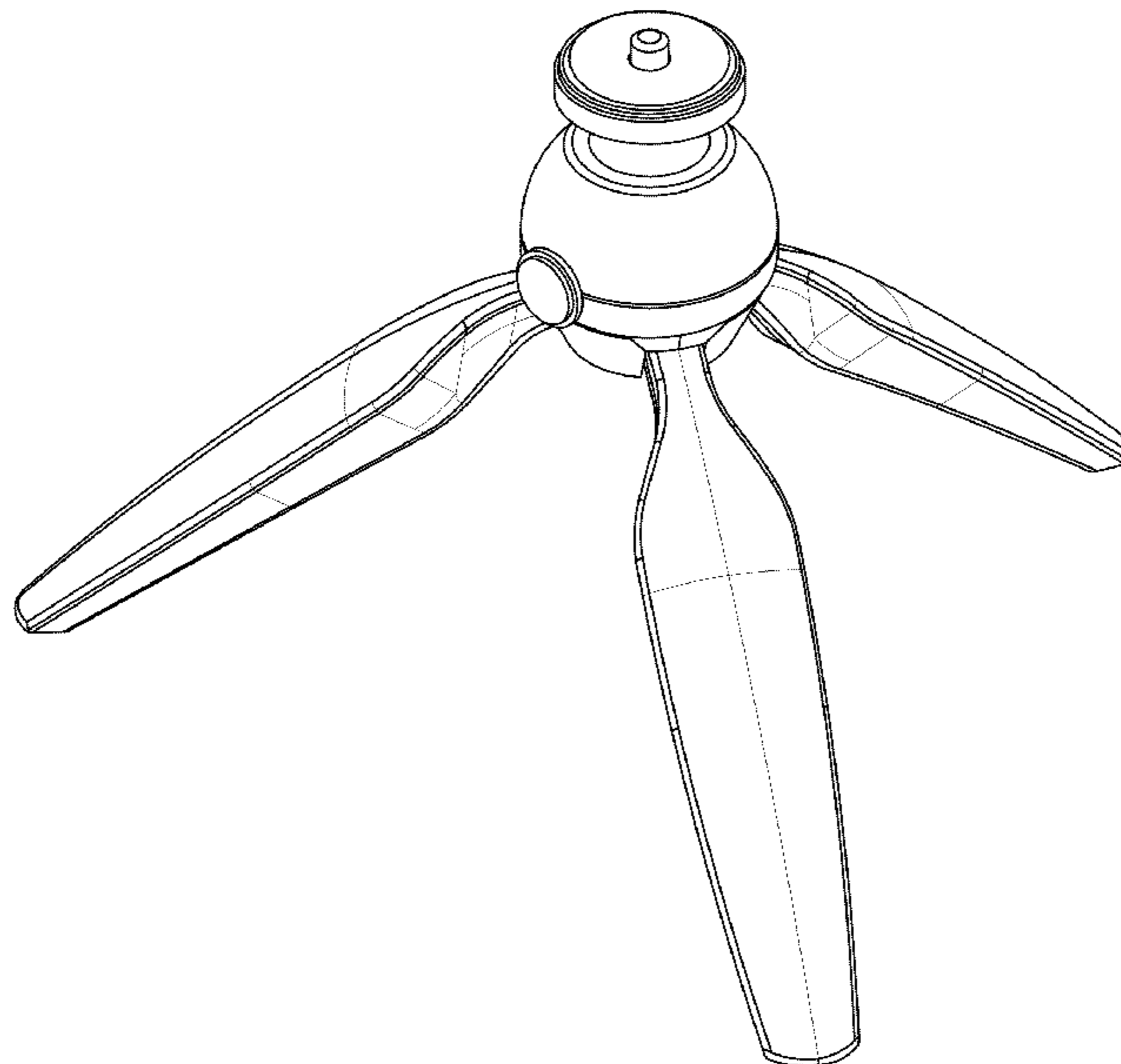


FIG. 1

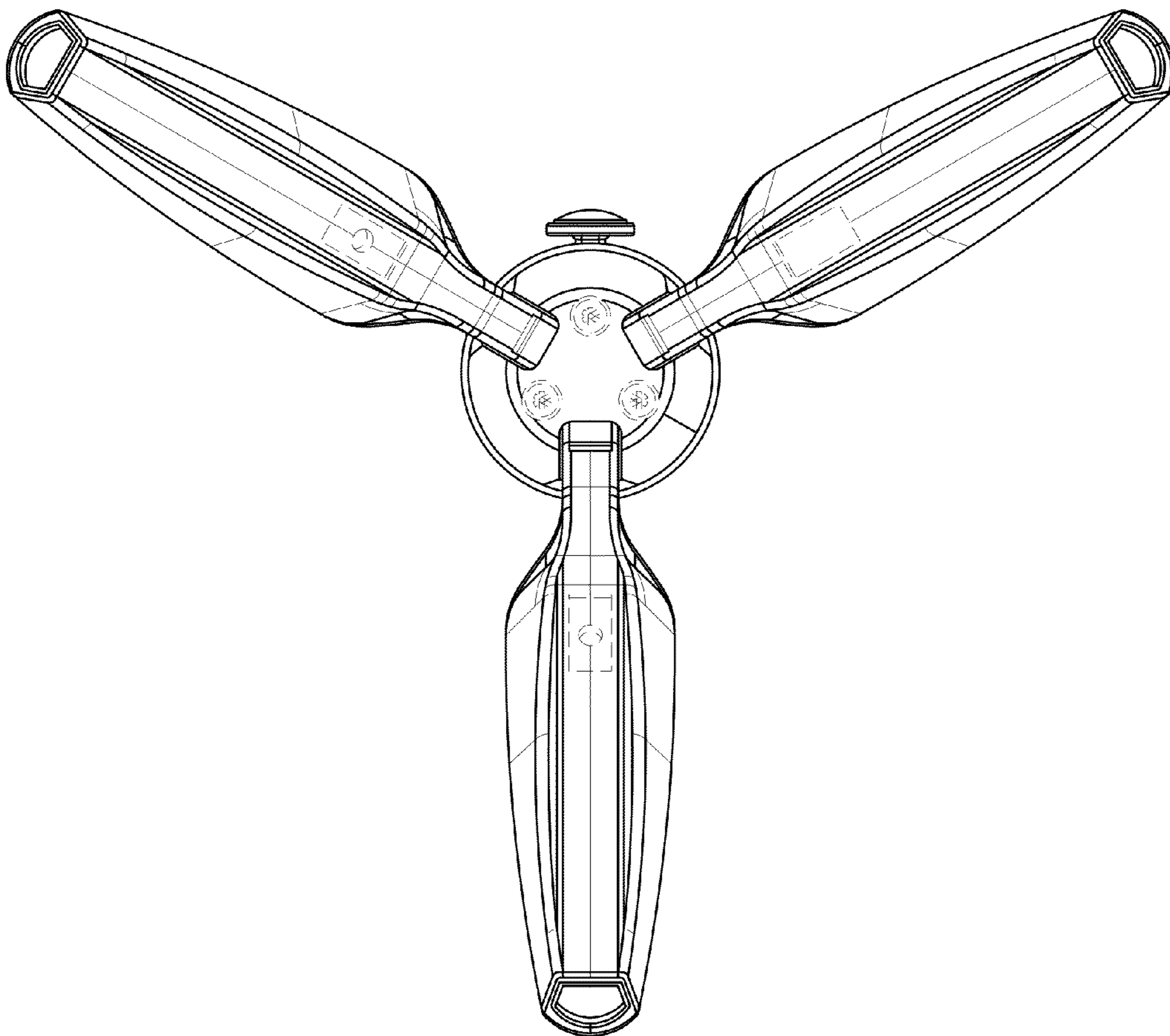


FIG. 2

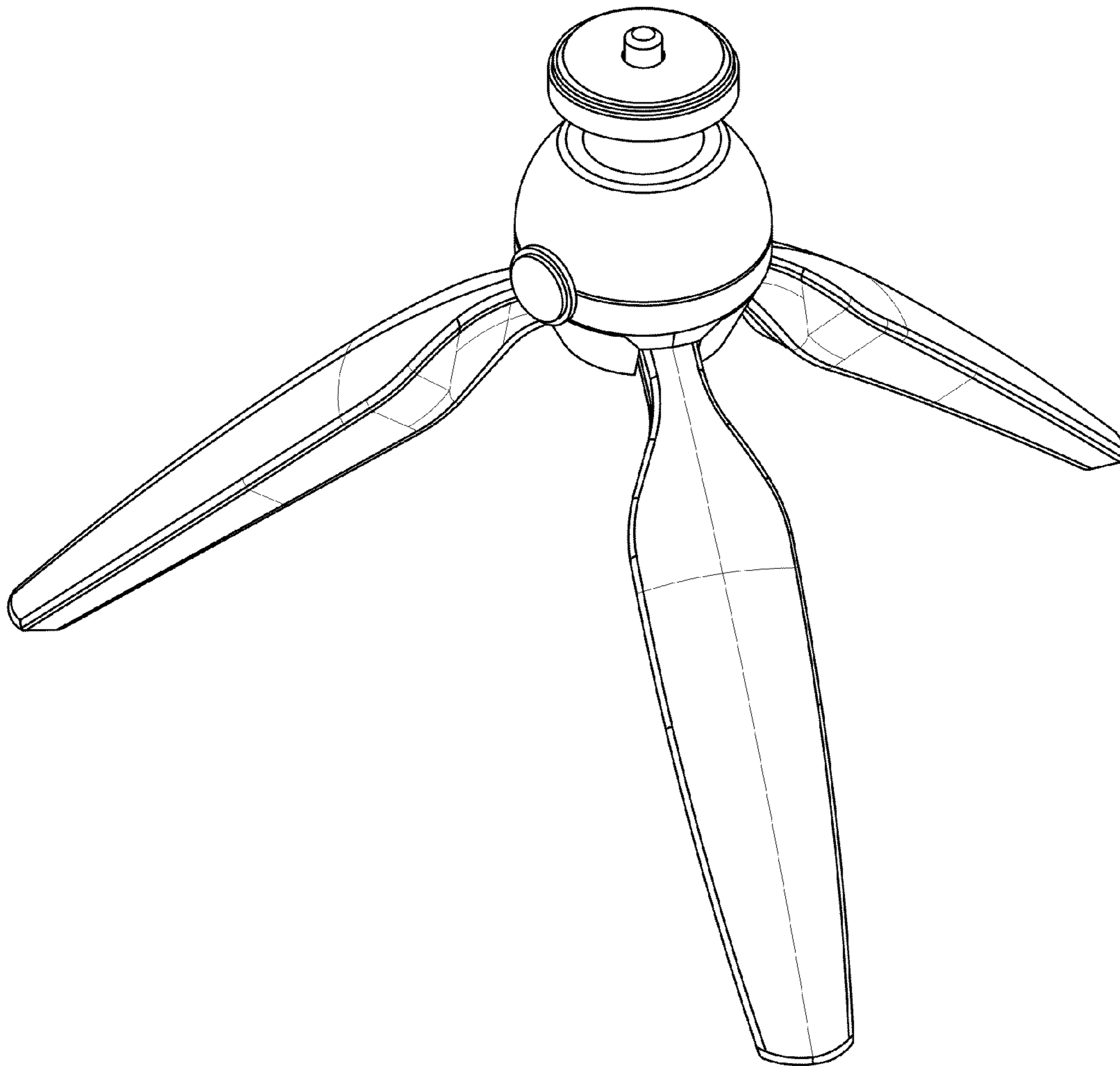


FIG. 3

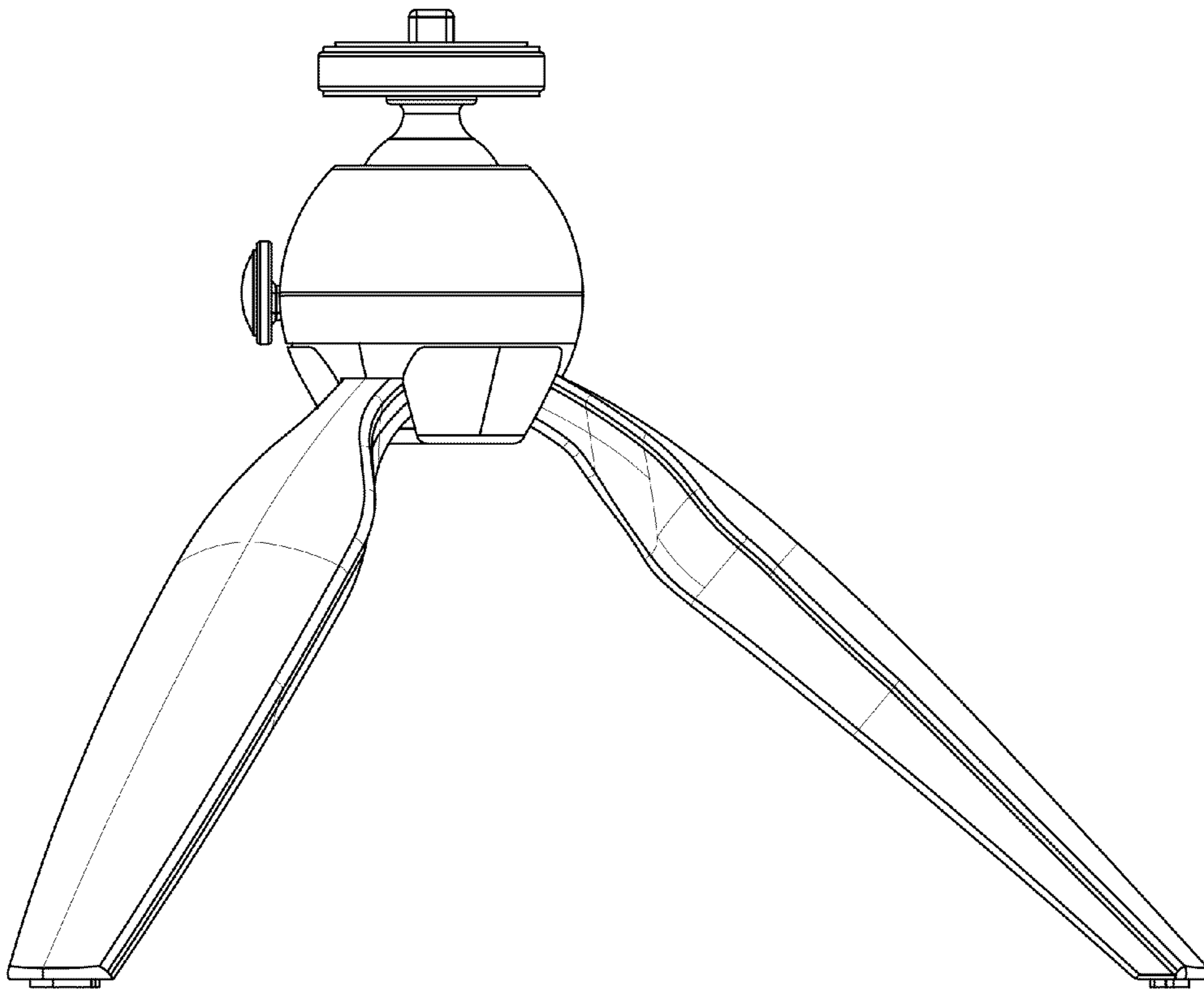


FIG. 4

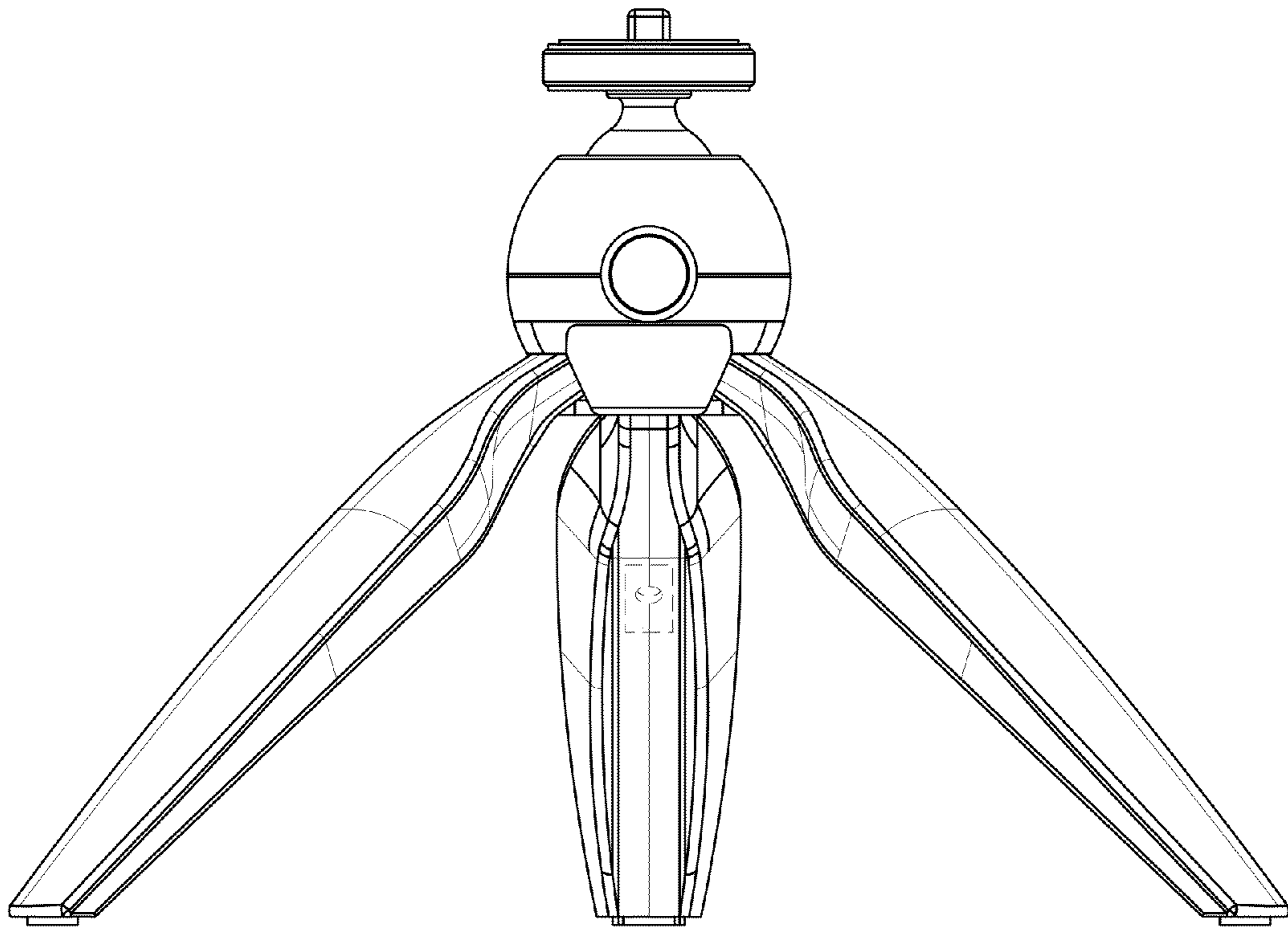


FIG. 5

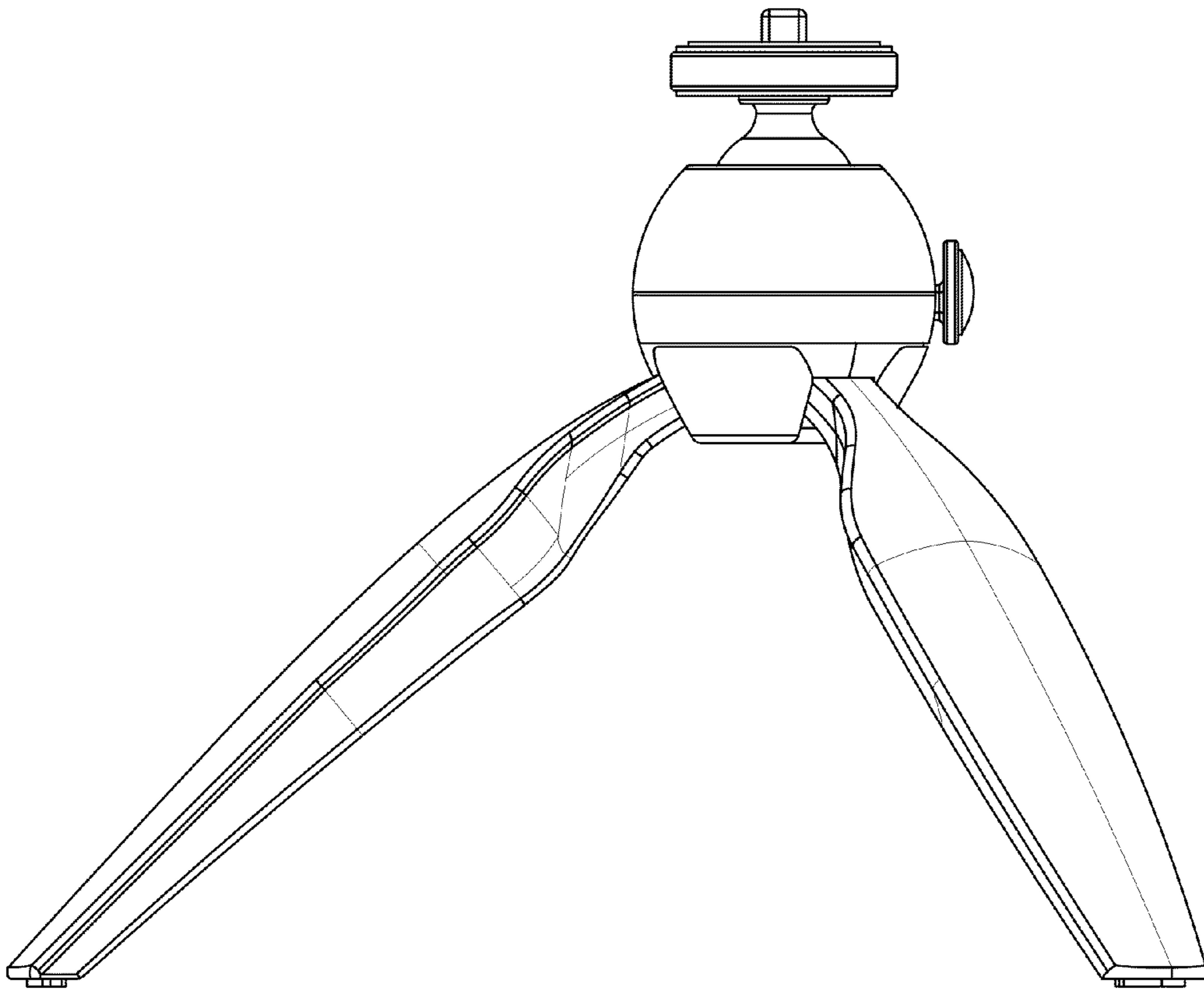


FIG. 6

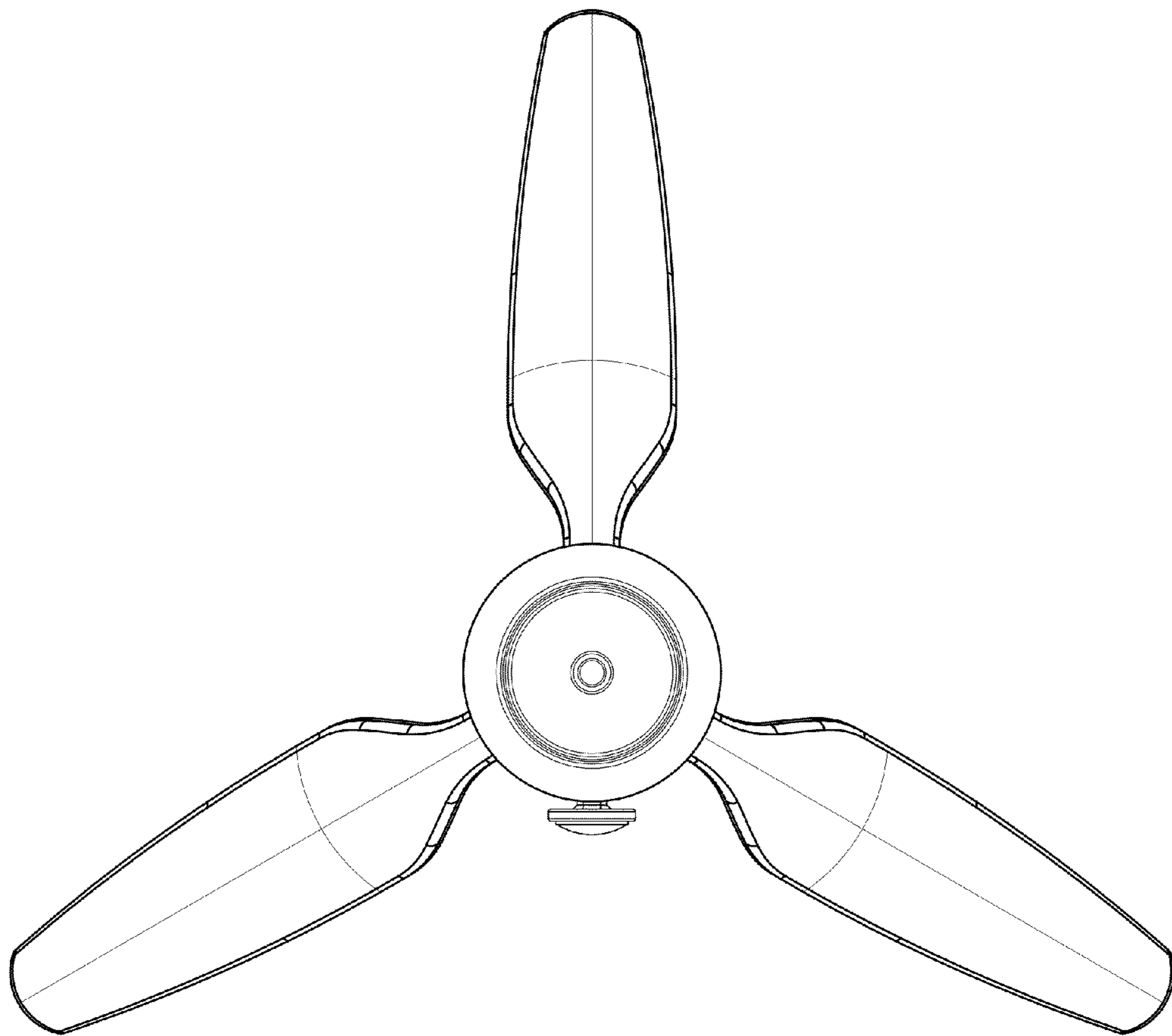


FIG. 7

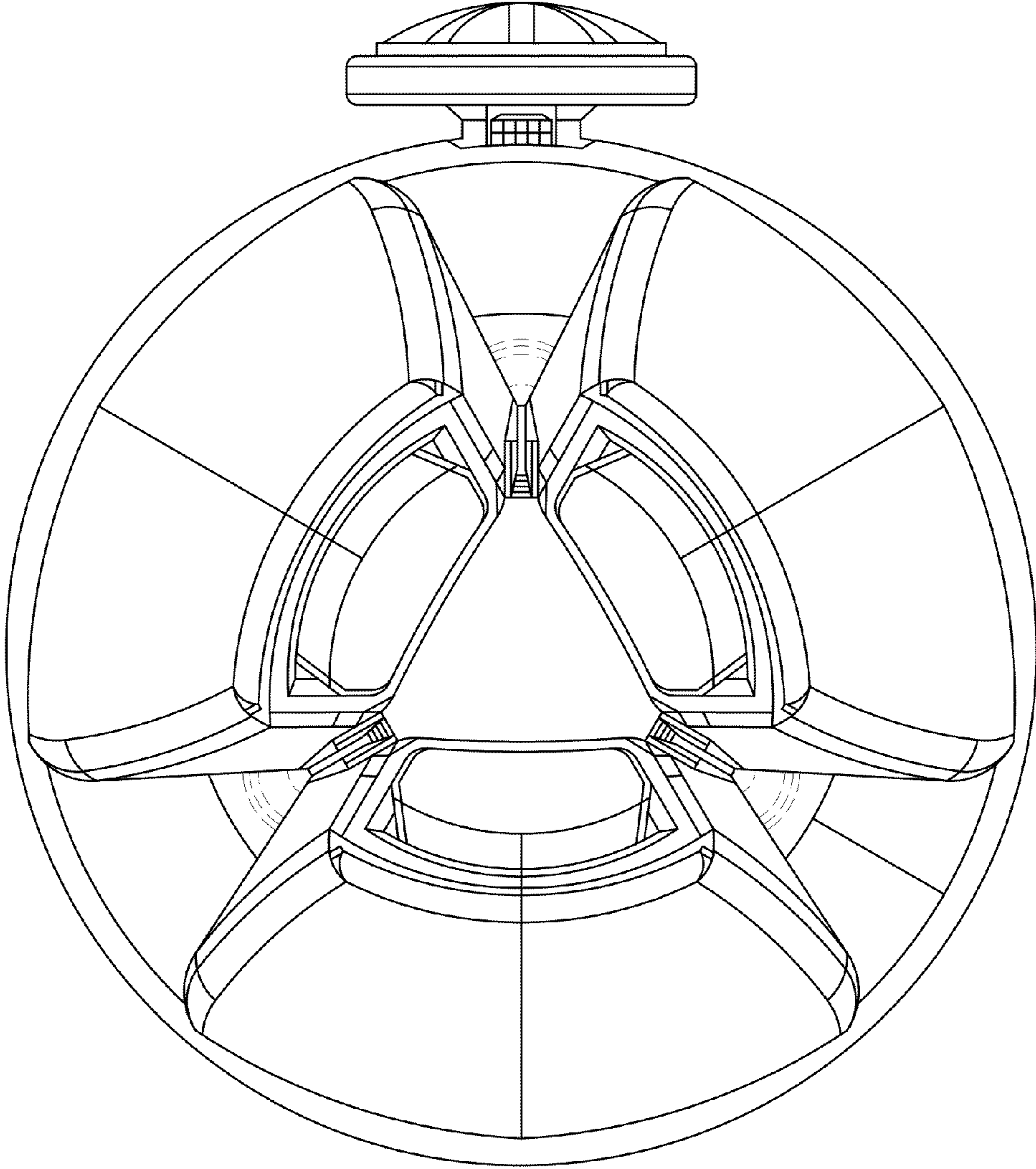


FIG. 8

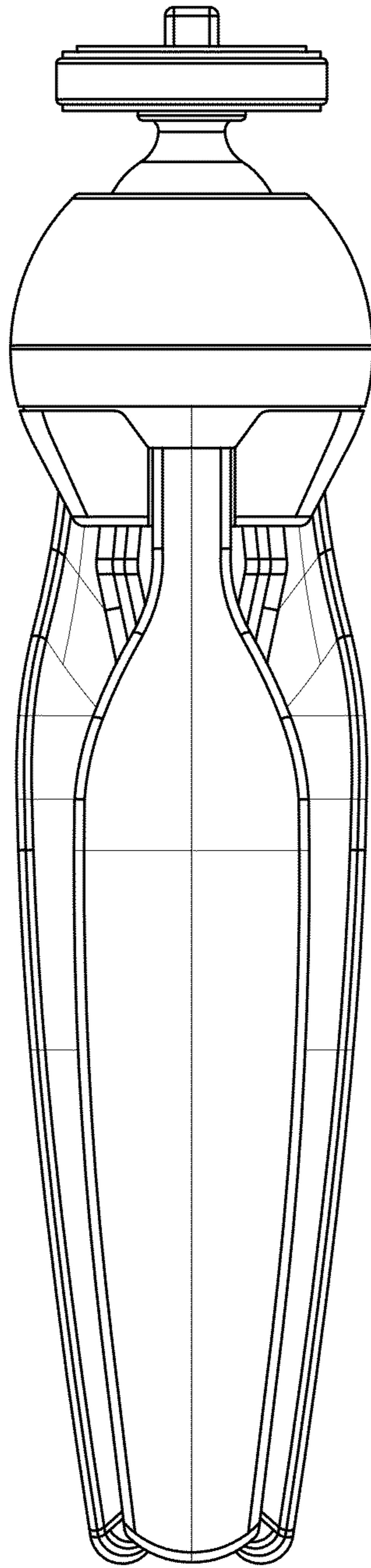


FIG. 9

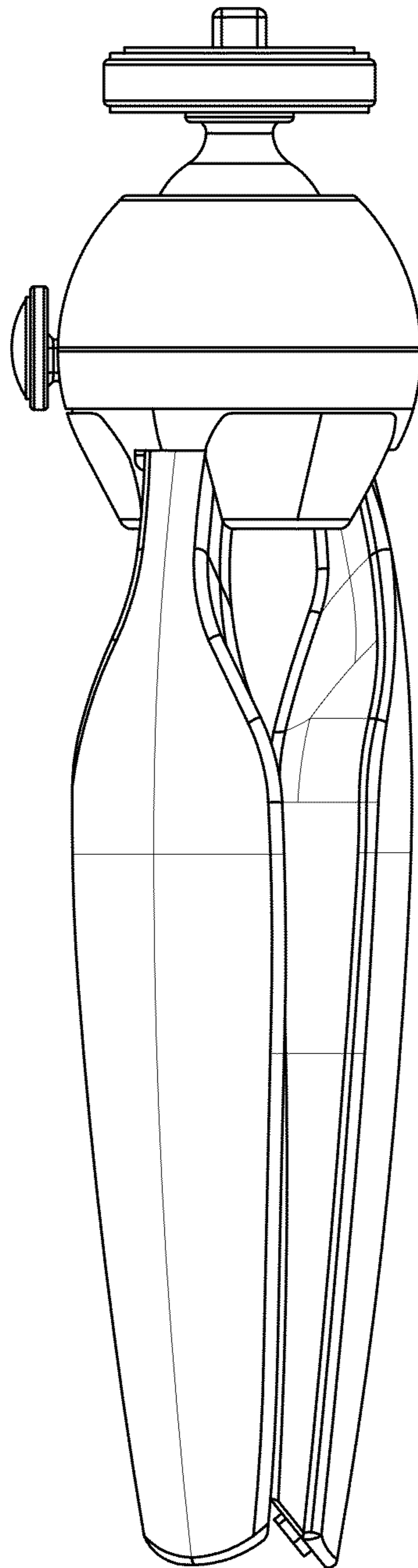


FIG. 10

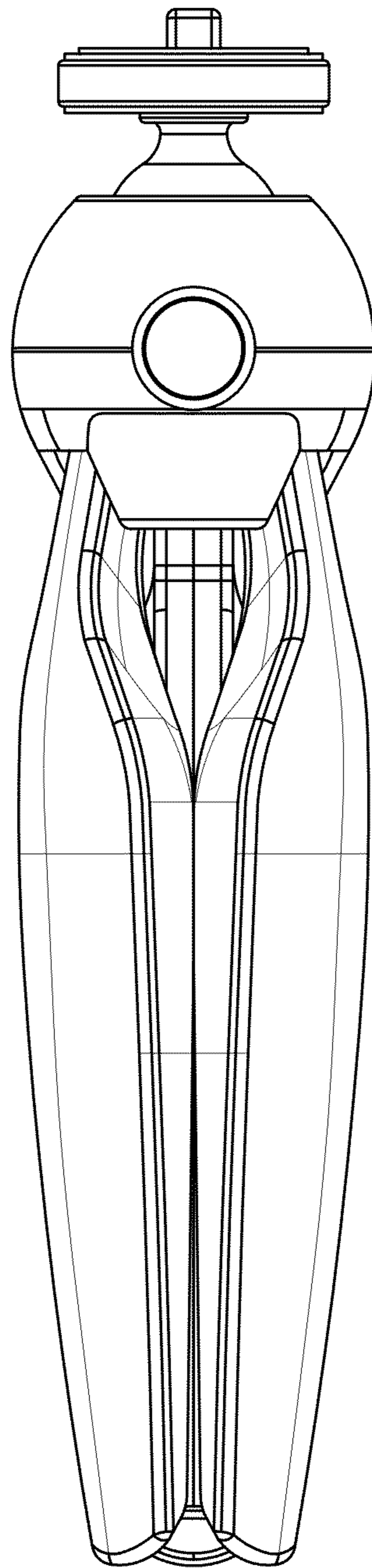


FIG. 11

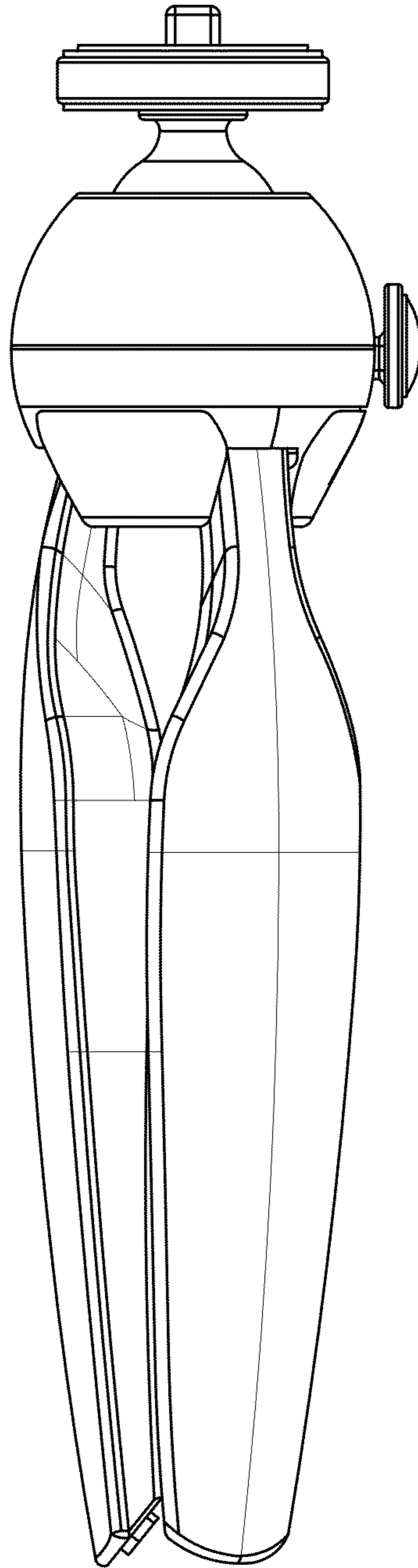


FIG. 12

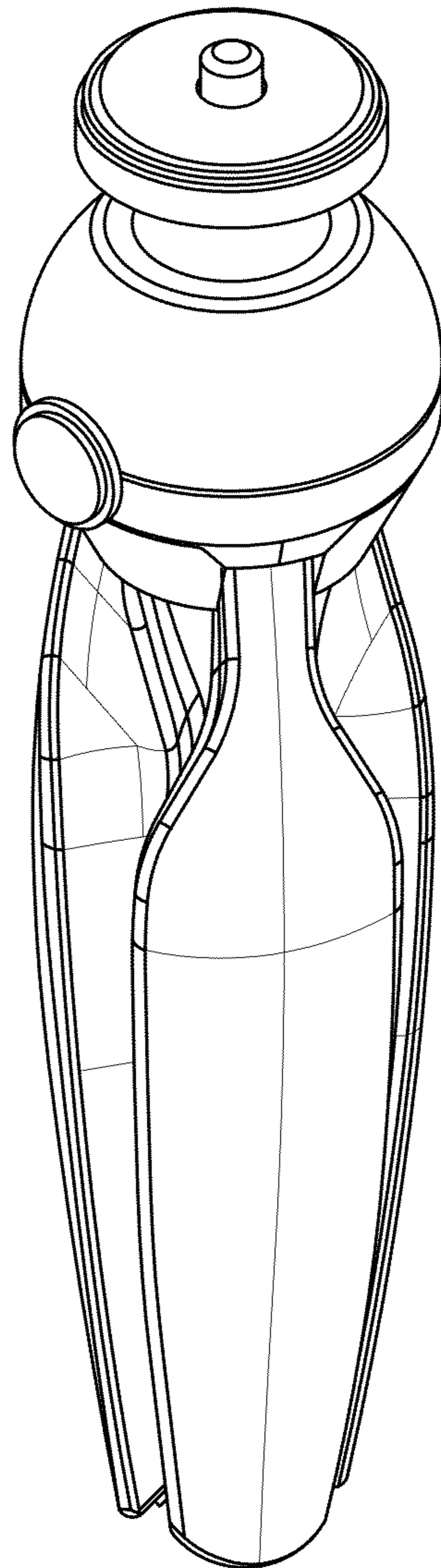


FIG. 13

