



US00D739455S

(12) **United States Design Patent**
Ko et al.

(10) **Patent No.:** **US D739,455 S**

(45) **Date of Patent:** **** Sep. 22, 2015**

(54) **CAMERA**

(71) Applicant: **Samsung Electronics Co., Ltd.**,
Suwon-si, Gyeonggi-do (KR)

(72) Inventors: **Hyun-Seon Ko**, Seoul (KR); **Joo-Hyung Kim**, Busan (KR); **Byung-Wook Chin**, Seoul (KR)

(73) Assignee: **Samsung Electronics Co., Ltd.**,
Suwon-Si (KR)

(**) Term: **14 Years**

(21) Appl. No.: **29/492,777**

(22) Filed: **Jun. 3, 2014**

(30) **Foreign Application Priority Data**

Dec. 3, 2013 (KR) 30-2013-0060836

(51) **LOC (10) Cl.** **16-05**

(52) **U.S. Cl.**
USPC **D16/219**

(58) **Field of Classification Search**
USPC D16/200, 202–205, 208, 209, 218, 219;
348/373–376; 396/535, 538–541
CPC G03B 17/02; G03B 19/04; G03B 17/56;
G03B 17/04; G03B 15/03; G03B 15/05;
H04N 5/2251; H04N 5/2252; H04N 5/2253;
H04N 5/2254; H04N 2007/145; H04N 7/141;
H04N 7/142; H04N 7/147; H04N 7/148;
H04N 7/15; H04N 7/152

See application file for complete search history.

(56) **References Cited**

U.S. PATENT DOCUMENTS

D407,098	S	*	3/1999	Goto et al.	D16/202
D428,904	S	*	8/2000	Oshima	D16/209
D429,749	S	*	8/2000	Hatakeyama	D16/219
D436,978	S	*	1/2001	Suzuki et al.	D16/219
D448,790	S	*	10/2001	Suzuki et al.	D16/219
D450,740	S	*	11/2001	Suzuki et al.	D16/219
D451,527	S	*	12/2001	Suzuki et al.	D16/219
D452,972	S	*	1/2002	Suzuki et al.	D16/219
D453,942	S	*	2/2002	Suzuki et al.	D16/219
D455,770	S	*	4/2002	Suzuki et al.	D16/219
D455,771	S	*	4/2002	Suzuki et al.	D16/219
D487,765	S	*	3/2004	Dow et al.	D16/218
D509,235	S	*	9/2005	Imai	D16/219
D536,015	S	*	1/2007	Hanafusa	D16/219
2009/0295984	A1	*	12/2009	Kawai et al.	348/373

* cited by examiner

Primary Examiner — Adir Aronovich

Assistant Examiner — Ramzi Almatrahi

(74) *Attorney, Agent, or Firm* — Ladas & Parry LLP

(57) **CLAIM**

The ornamental design for a camera, as shown and described.

DESCRIPTION

FIG. 1 is a perspective view of a camera showing our new design;
FIG. 2 is a front elevation view thereof;
FIG. 3 is a rear elevation view thereof;
FIG. 4 is a left side elevation view thereof;
FIG. 5 is a right side elevation view thereof;
FIG. 6 is a top plan view thereof; and,
FIG. 7 is a bottom plan view thereof.
The broken lines depict portions of a camera in which the design is embodied and form no part of the claimed design.

1 Claim, 4 Drawing Sheets

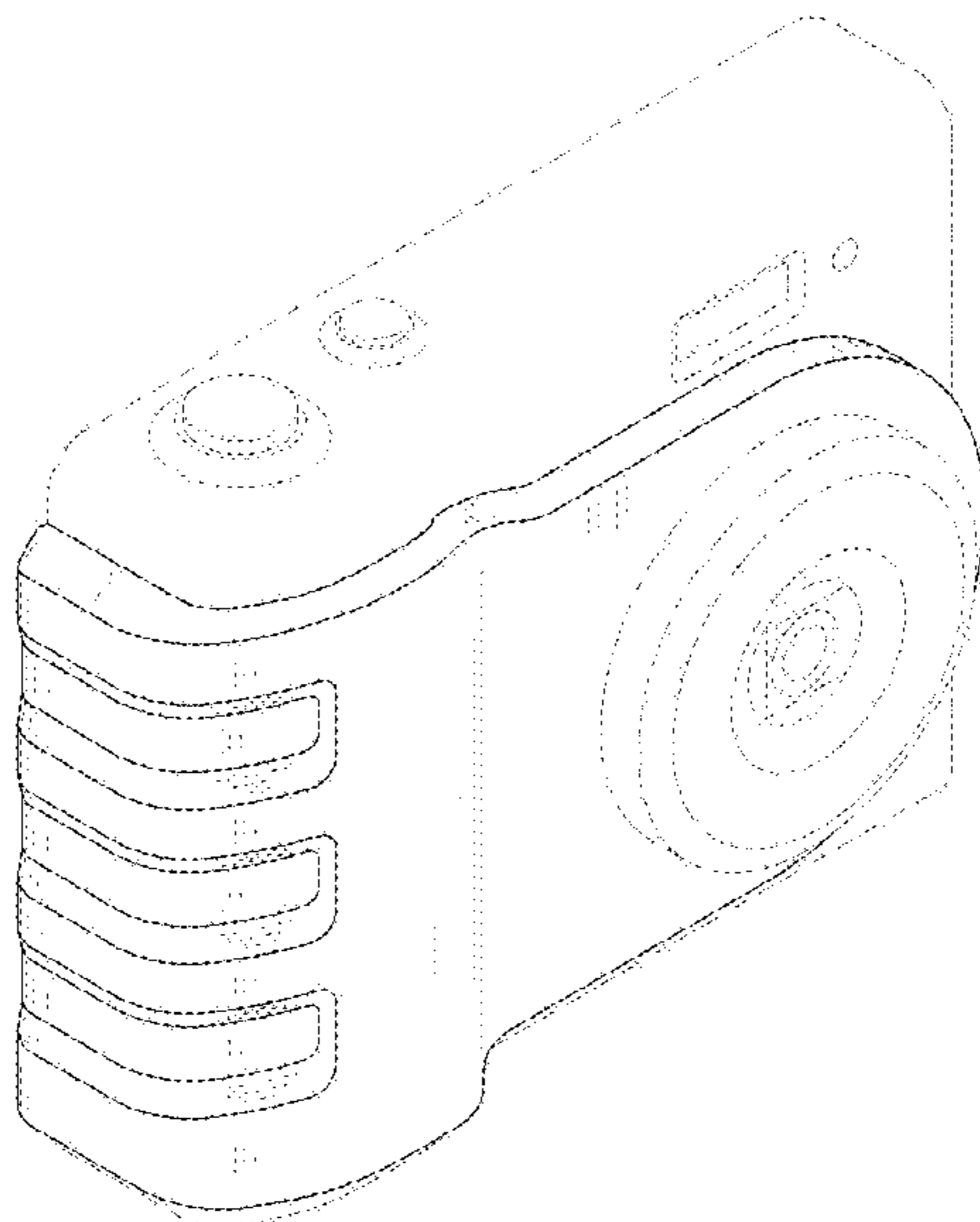


FIG. 1

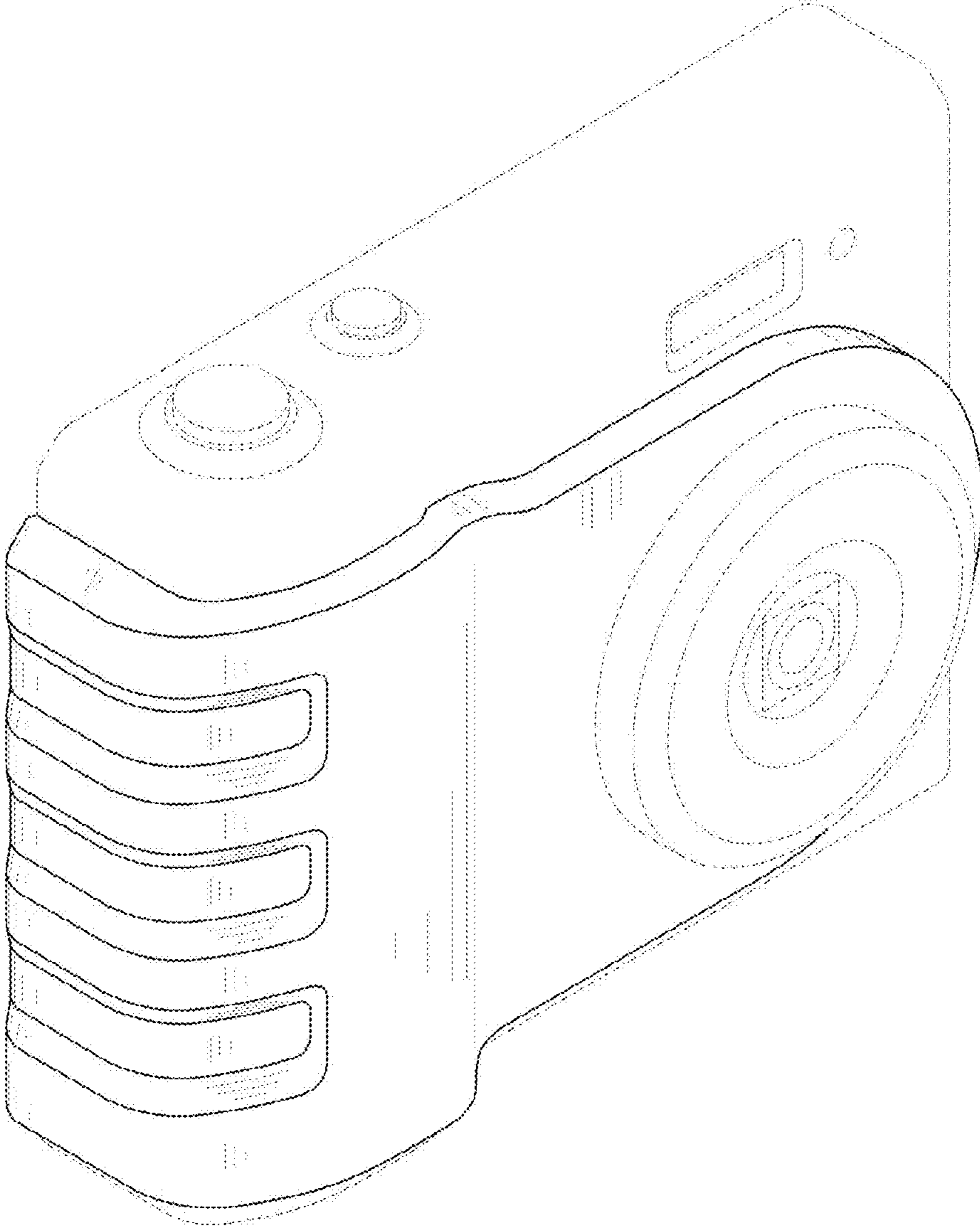


FIG. 2

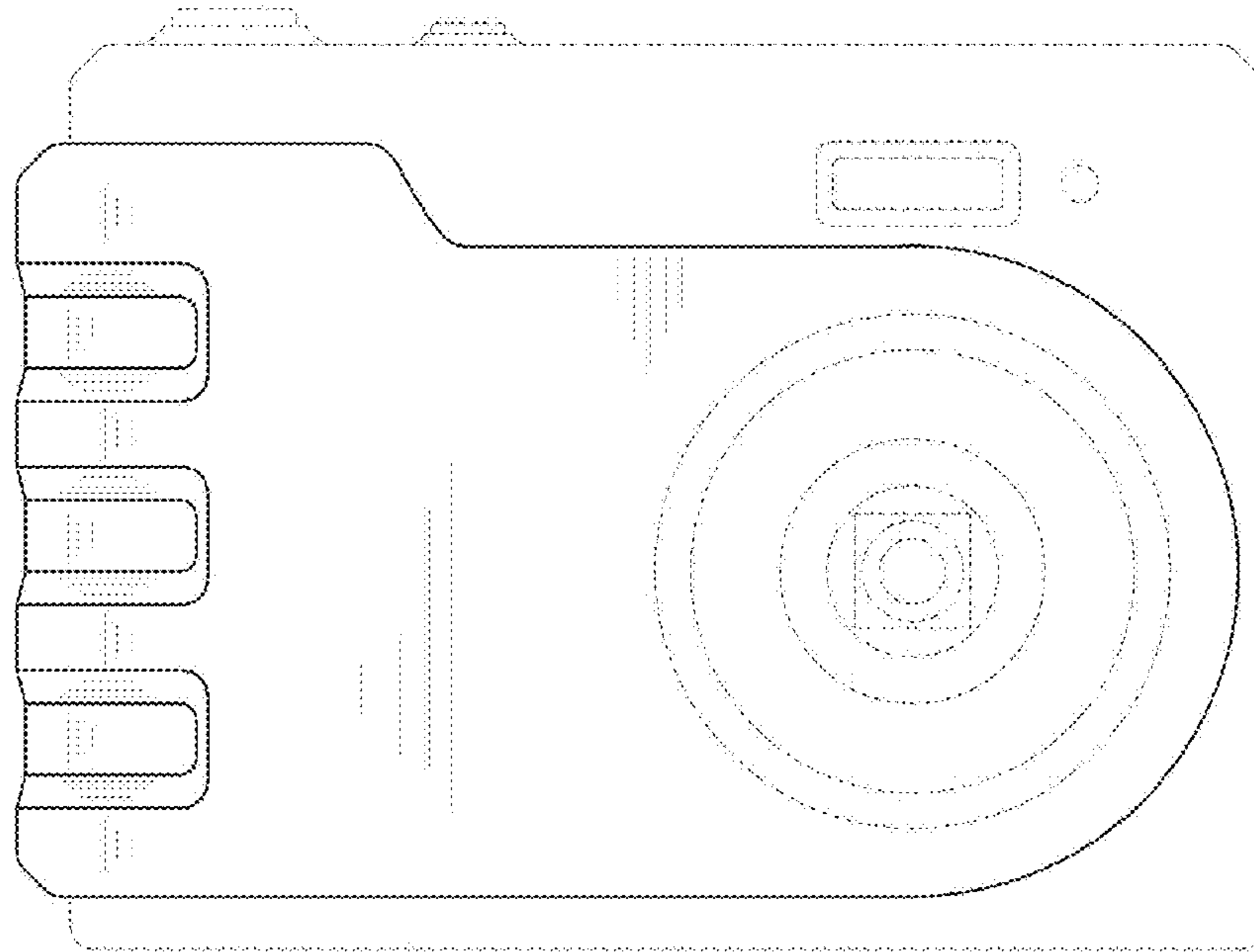


FIG. 3

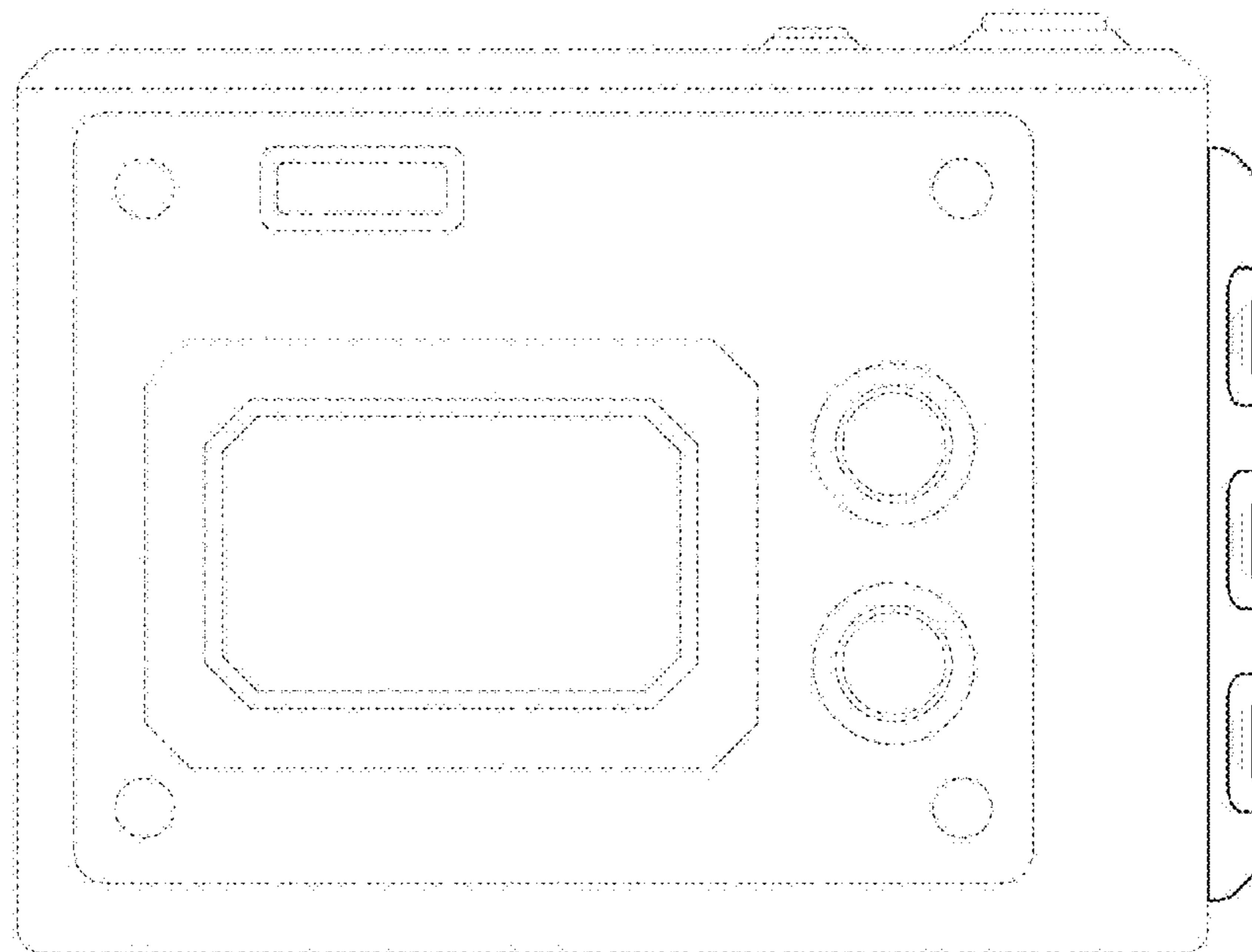


FIG. 4

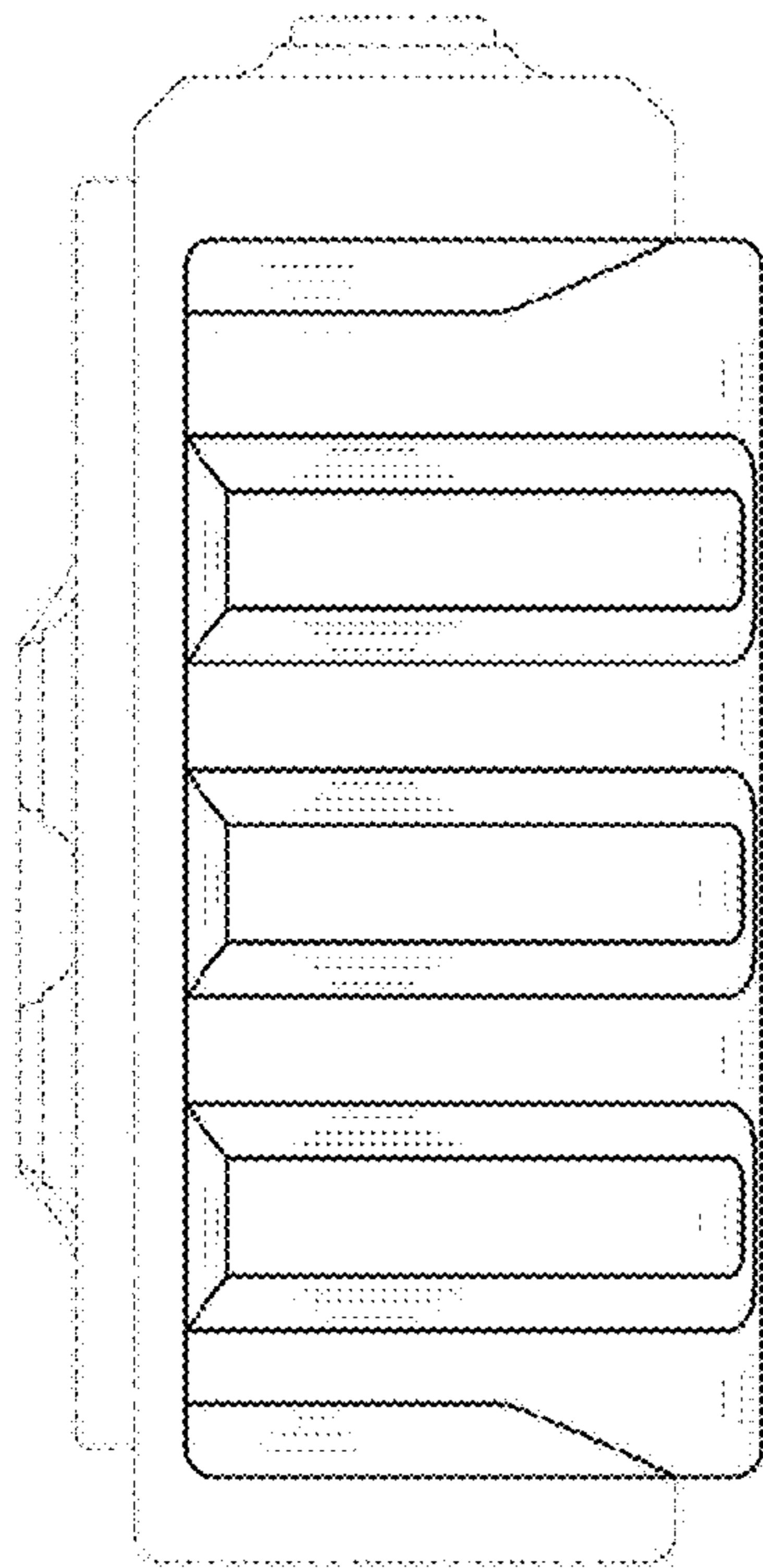


FIG. 5

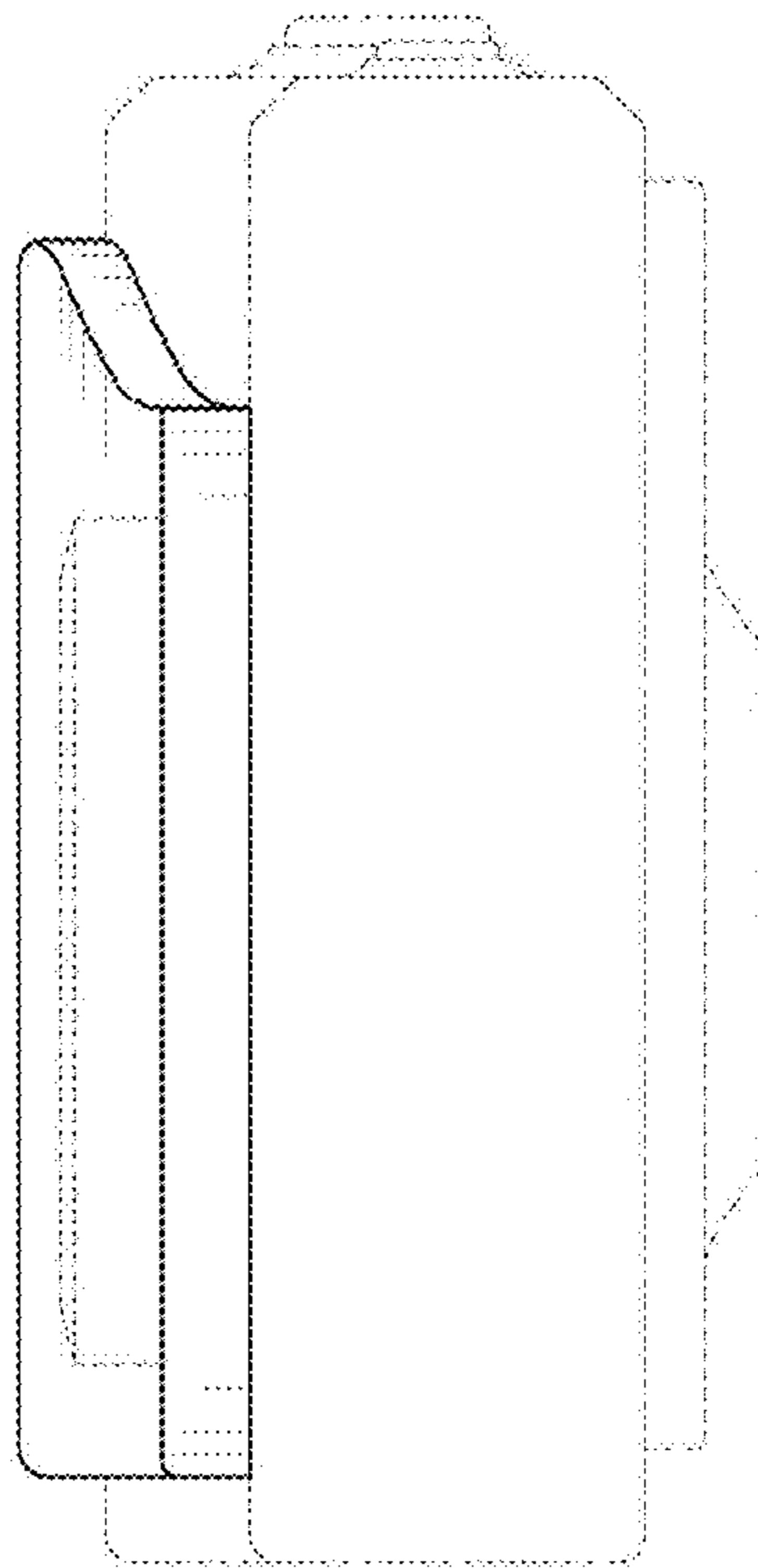


FIG. 6

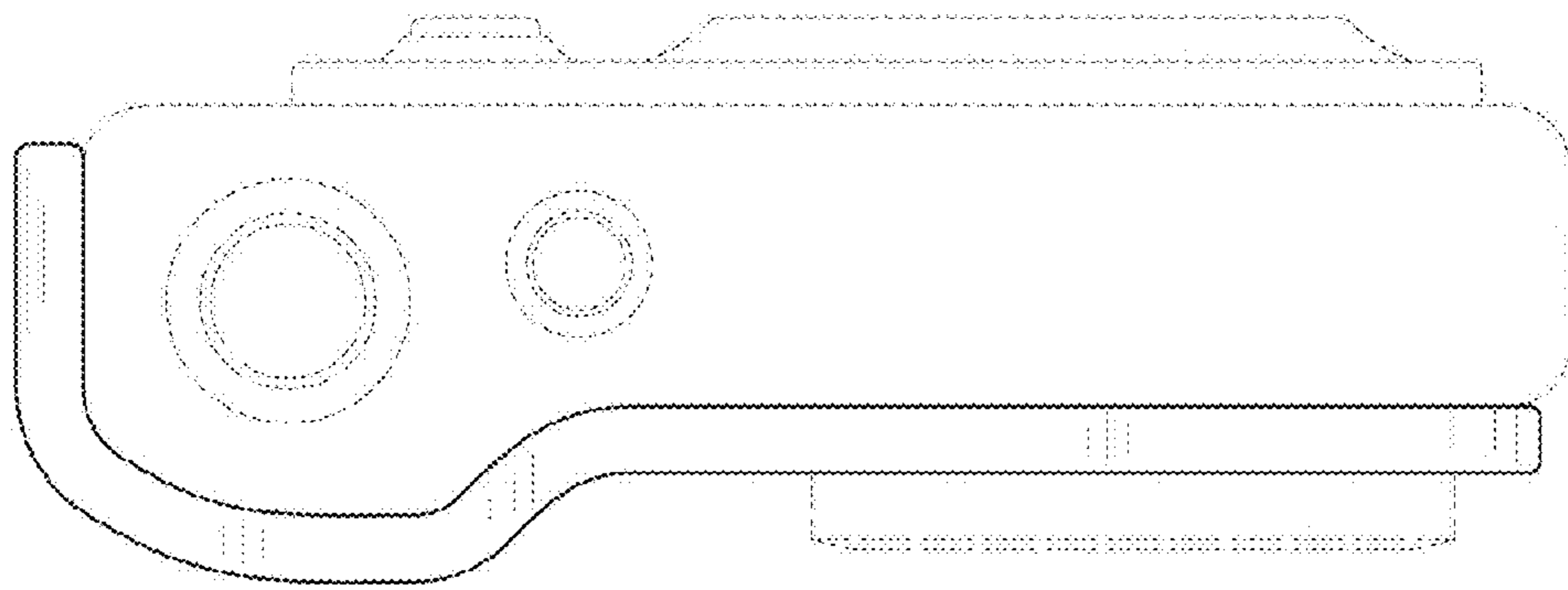


FIG. 7

