



US00D739454S

(12) **United States Design Patent**
Kim et al.

(10) **Patent No.:** **US D739,454 S**

(45) **Date of Patent:** **** Sep. 22, 2015**

(54) **DIGITAL CAMERA**

(71) Applicant: **SAMSUNG ELECTRONICS CO., LTD.**, Gyeonggi-Do (KR)

(72) Inventors: **Joo-Hyung Kim**, Seoul (KR); **Min Ki Ham**, Seoul (KR)

(73) Assignee: **Samsung Electronics Co., Ltd.**, Suwon-si (KR)

(**) Term: **14 Years**

(21) Appl. No.: **29/471,442**

(22) Filed: **Oct. 31, 2013**

Related U.S. Application Data

(63) Continuation of application No. 29/423,341, filed on May 31, 2012, now Pat. No. Des. 695,802.

(51) **LOC (10) Cl.** **12-01**

(52) **U.S. Cl.**
USPC **D16/219**

(58) **Field of Classification Search**
USPC D16/200, 202, 204, 218; 348/373, 374, 348/375, 376; 358/909.1; 396/535-541
See application file for complete search history.

(56) **References Cited**

U.S. PATENT DOCUMENTS

D524,348 S * 7/2006 Nagayama et al. D16/219
7,106,963 B2 * 9/2006 Shibata 396/535

D543,227 S * 5/2007 Hayashi D16/219
D555,689 S * 11/2007 Yoo et al. D16/202
D557,311 S * 12/2007 Hanafusa et al. D16/219
D596,217 S * 7/2009 Kim et al. D16/219
D596,218 S * 7/2009 Kim et al. D16/219
D630,662 S * 1/2011 Miyashita D16/219
D631,499 S * 1/2011 Meguro D16/219
D685,834 S * 7/2013 Chai et al. D16/202
D687,083 S * 7/2013 Nakajima et al. D16/219
D695,802 S * 12/2013 Kim et al. D16/200
D695,803 S * 12/2013 Kyunghan et al. D16/202

* cited by examiner

Primary Examiner — Philip S Hyder

Assistant Examiner — Darlington Ly

(74) *Attorney, Agent, or Firm* — Ladas & Parry LLP

(57) **CLAIM**

The ornamental design for a digital camera, as shown and described.

DESCRIPTION

FIG. 1 is a front perspective view of a digital camera showing our new design;

FIG. 2 is a front view thereof;

FIG. 3 is a rear view thereof;

FIG. 4 is a left-side view thereof;

FIG. 5 is a right-side view thereof;

FIG. 6 is a top view thereof; and,

FIG. 7 is a bottom view thereof.

The broken lines shown in the drawings illustrate portions of the digital camera that form no part of the claimed design.

1 Claim, 6 Drawing Sheets

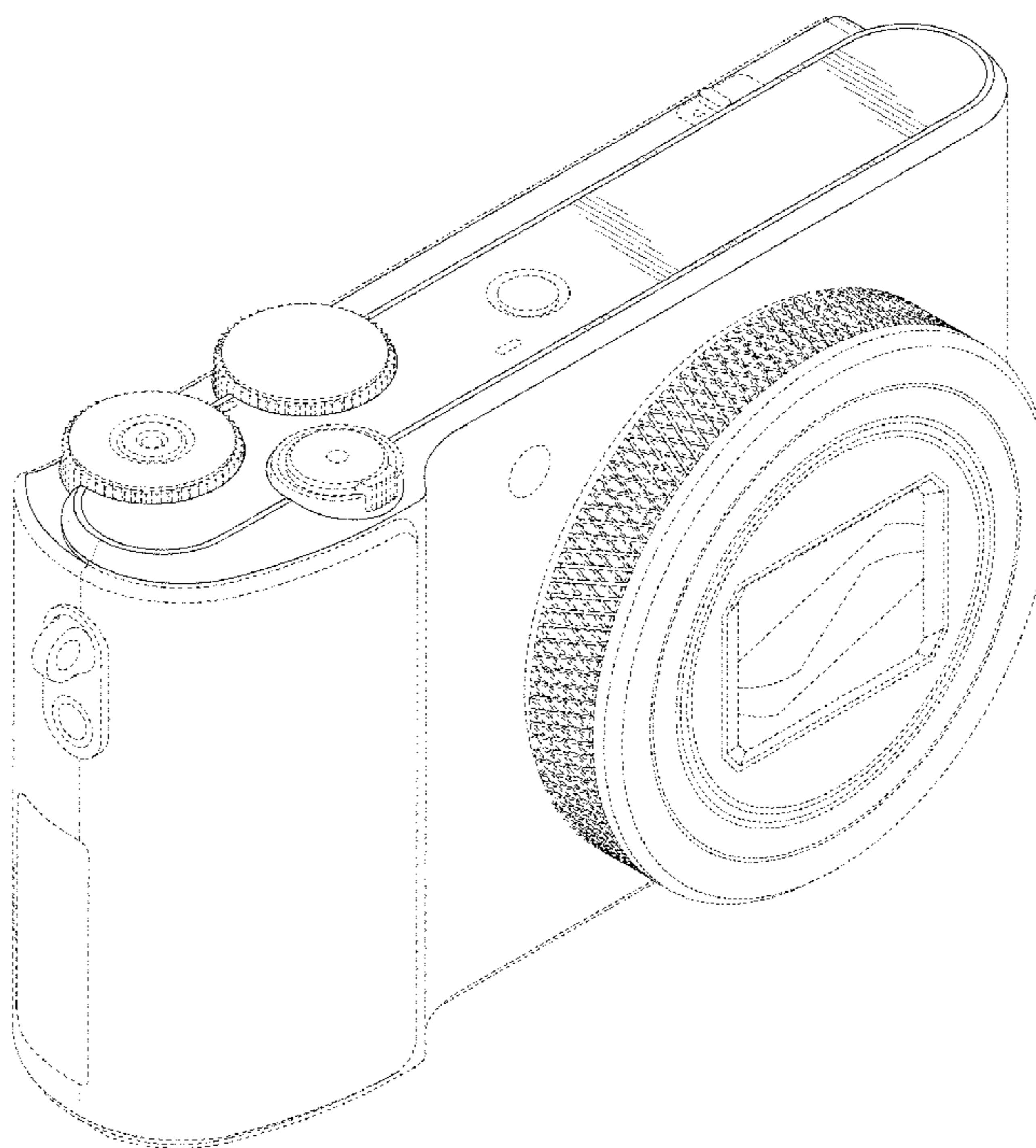


FIG.1

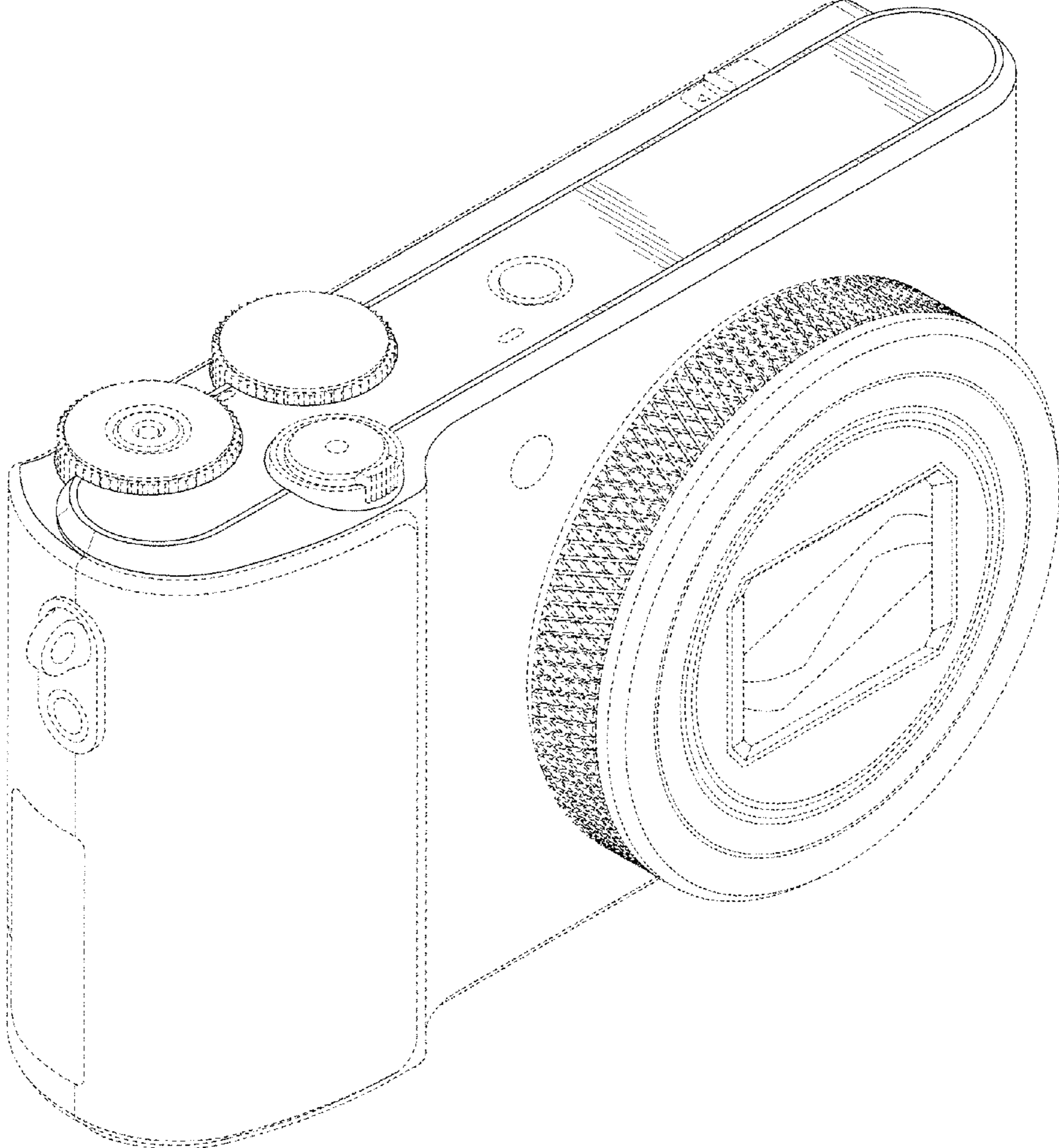


FIG.2

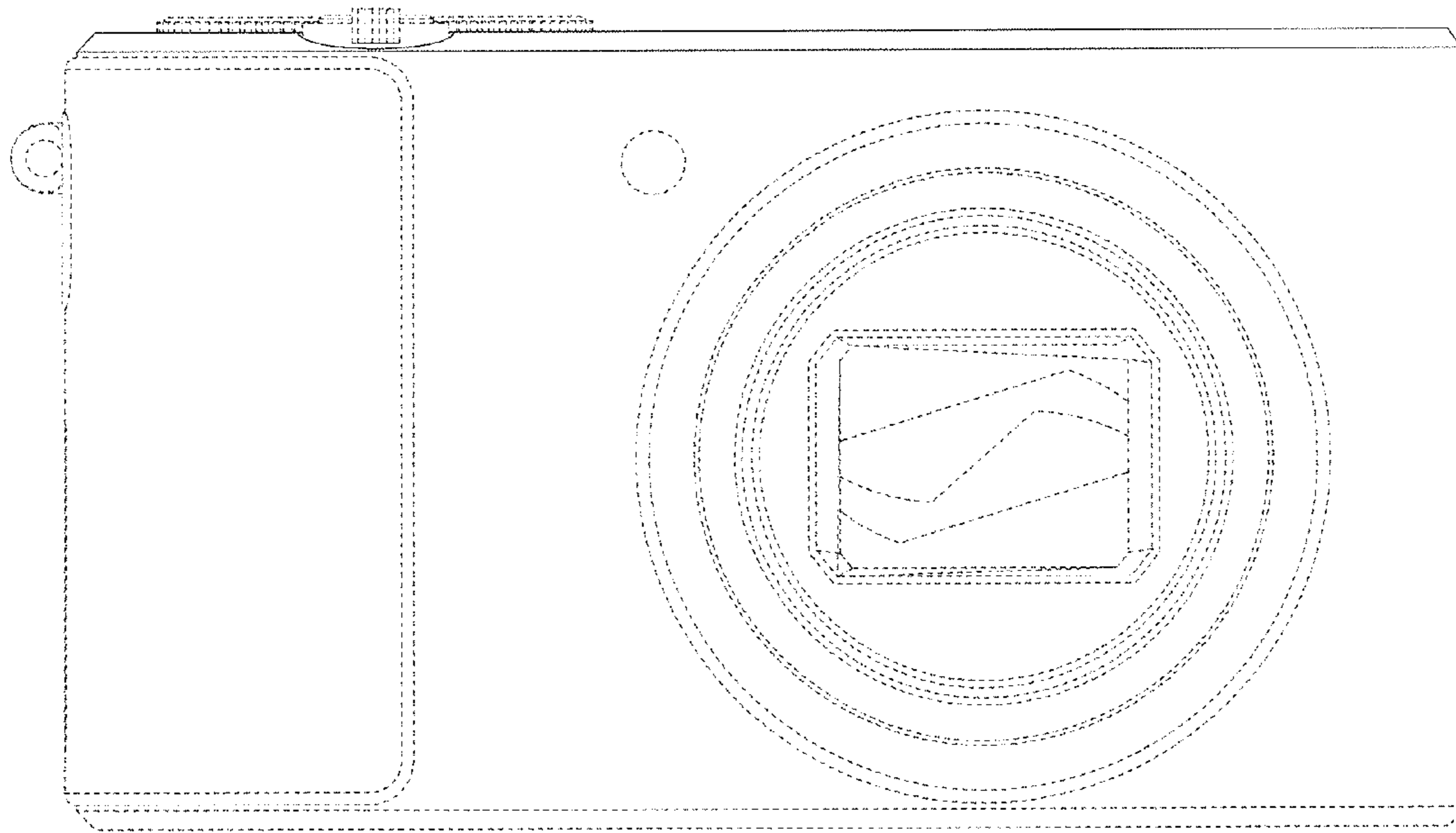


FIG.3

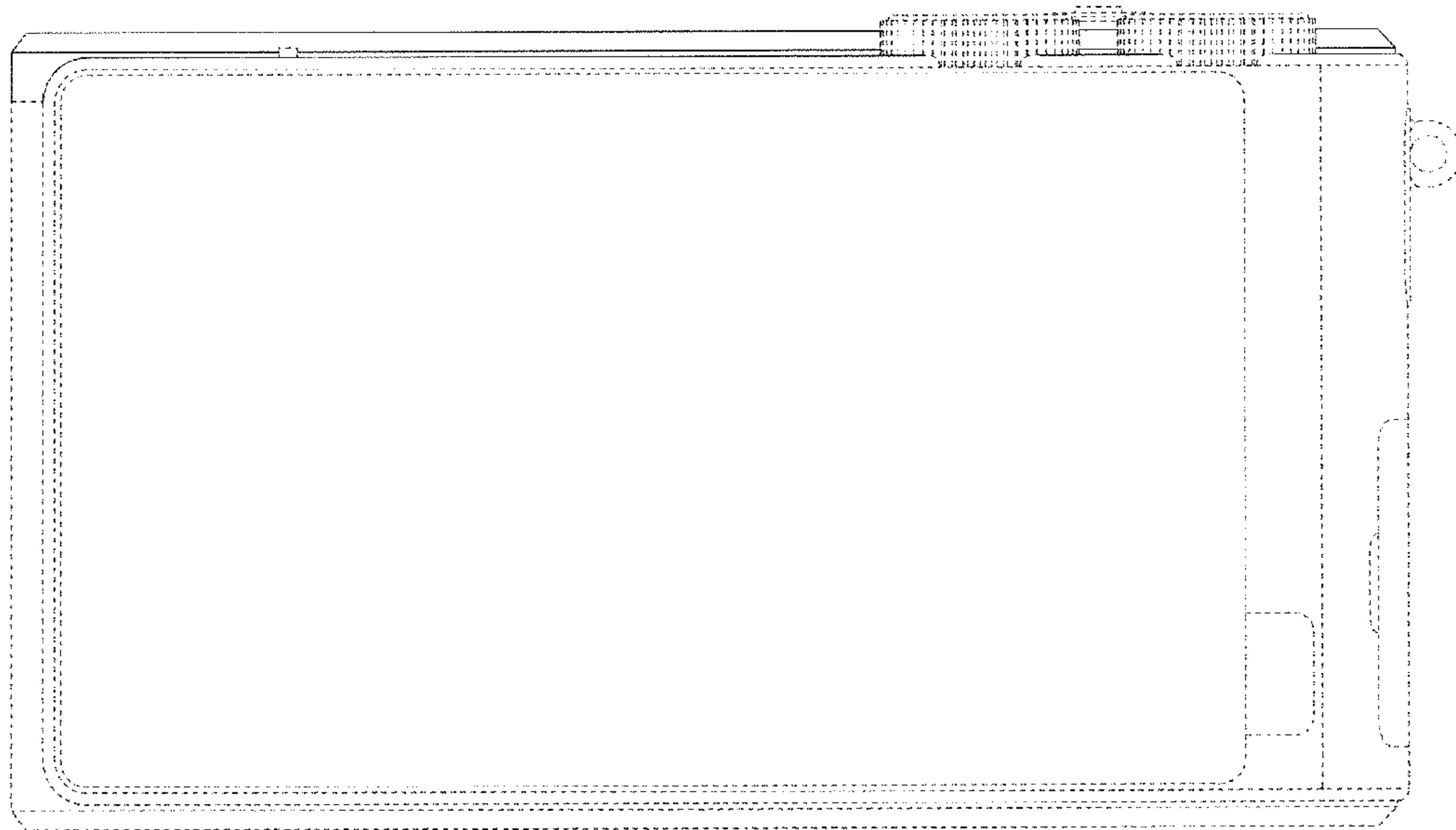


FIG. 4

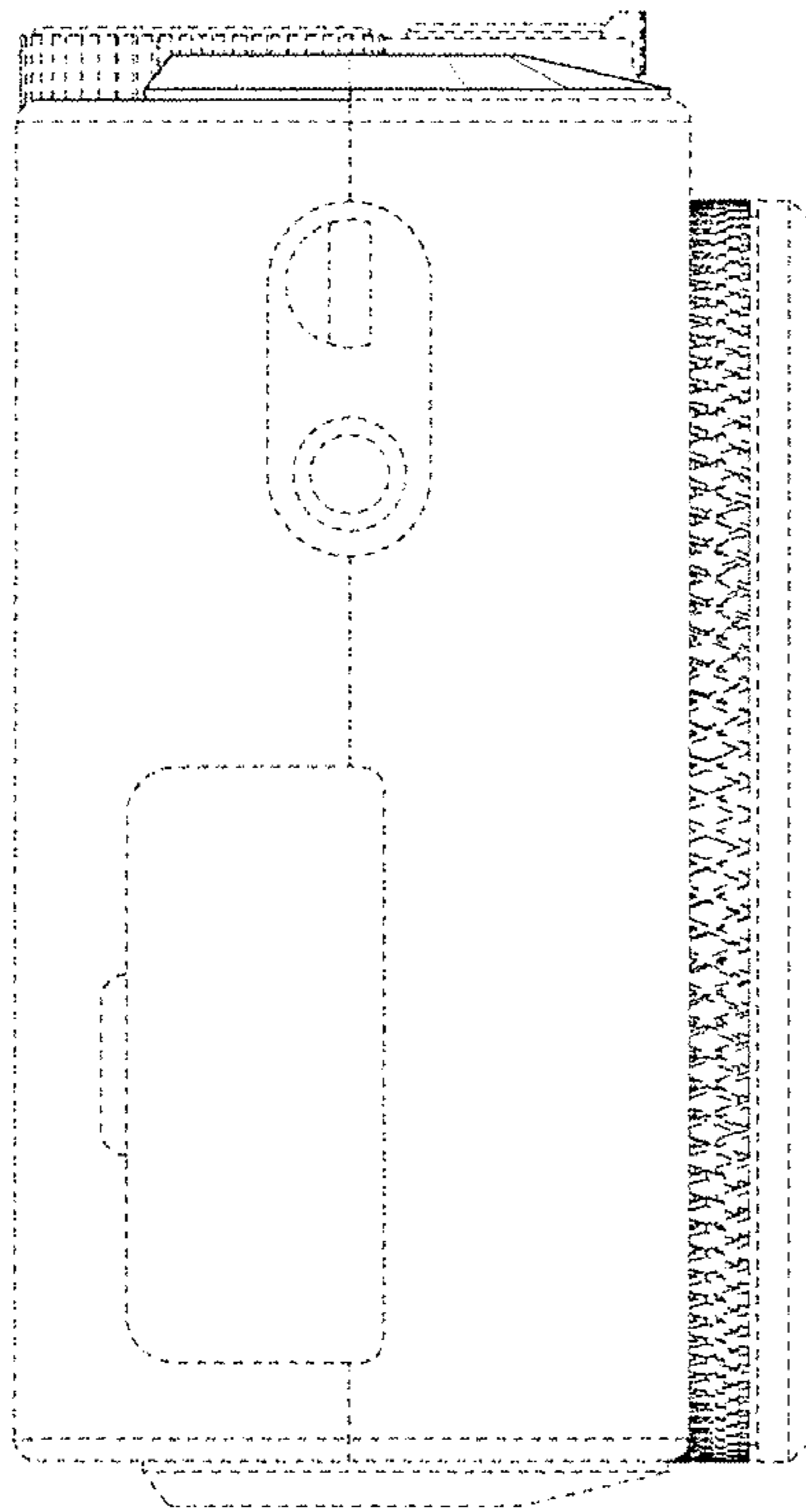


FIG.5

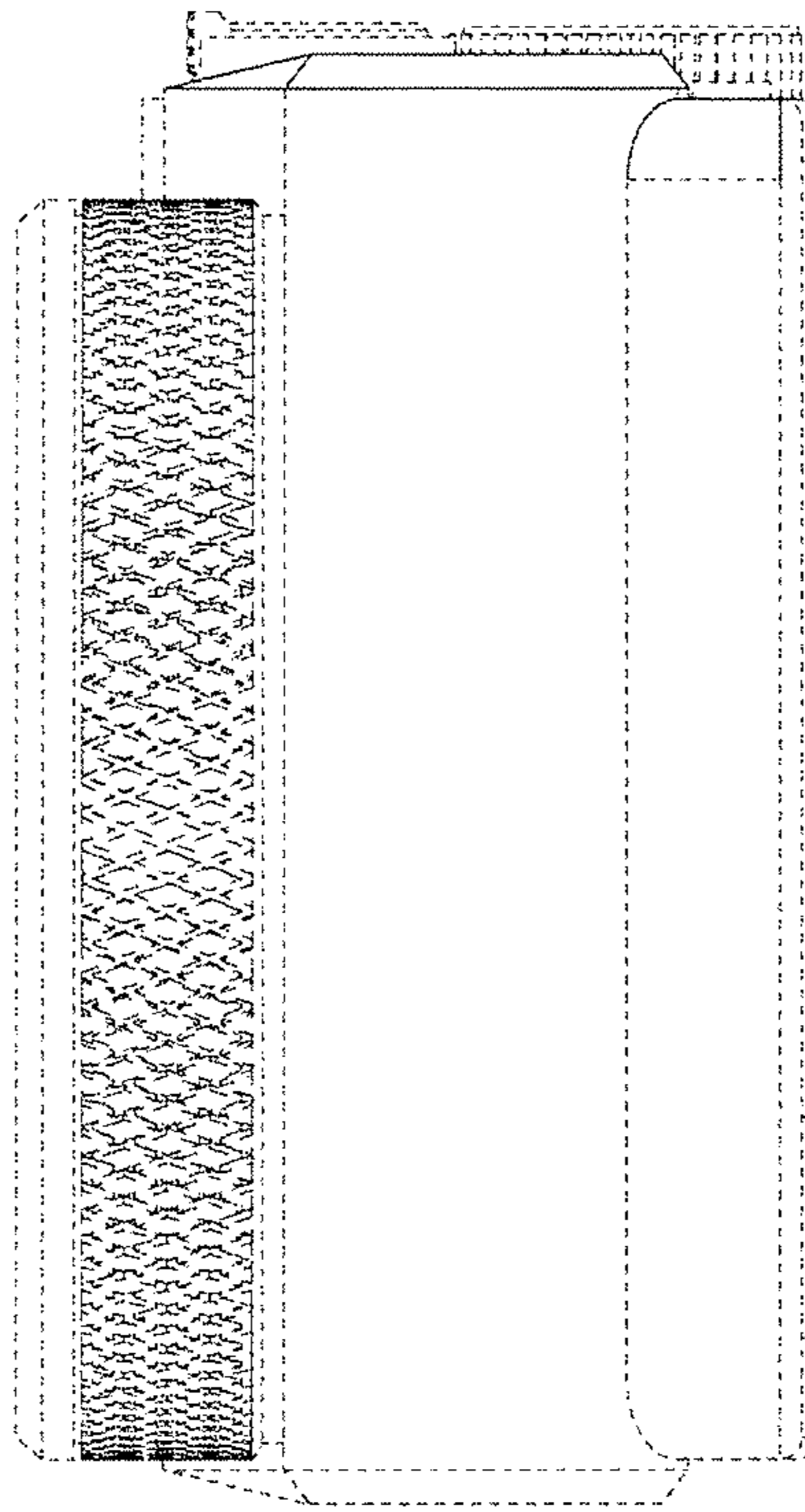


FIG.6

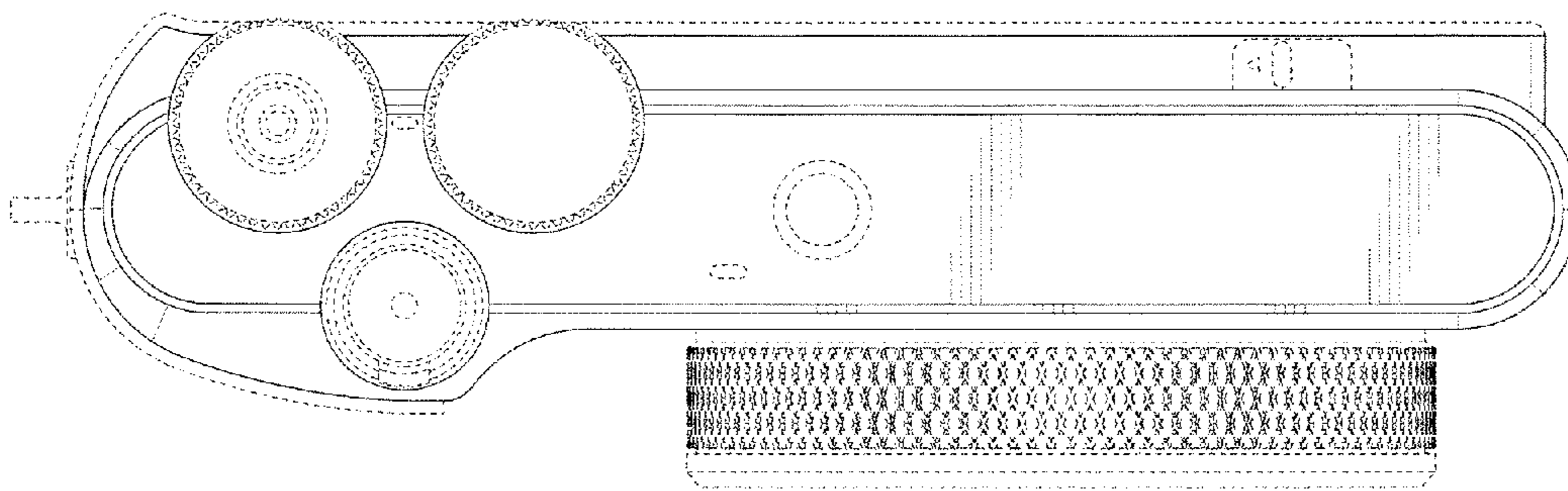


FIG.7

