



US00D739451S

(12) **United States Design Patent**  
**Gioscia et al.**

(10) **Patent No.:** **US D739,451 S**

(45) **Date of Patent:** **\*\* Sep. 22, 2015**

(54) **CAMERA HOUSING**

(71) Applicant: **GoPro, Inc.**, San Mateo, CA (US)

(72) Inventors: **Richard Gioscia**, Santa Clara, CA (US);  
**Seungheon Lee**, Cupertino, CA (US);  
**Derek Yap**, San Carlos, CA (US); **Evan L. Coons**, San Mateo, CA (US); **Joshua P. Davies**, Fremont, CA (US)

(73) Assignee: **GoPro, Inc.**, San Mateo, CA (US)

(\*\*) Term: **14 Years**

(21) Appl. No.: **29/495,034**

(22) Filed: **Jun. 26, 2014**

**Related U.S. Application Data**

(63) Continuation of application No. 29/461,141, filed on Jul. 18, 2013, now Pat. No. Des. 710,922.

(51) **LOC (10) Cl.** ..... **16-01**

(52) **U.S. Cl.**

USPC ..... **D16/200**; D16/218

(58) **Field of Classification Search**

USPC ..... D3/267; D16/200, 202–204, 208, 211,  
D16/218, 219, 242; 248/176.1, 187.1;  
348/81, 373–376; 396/25, 27, 29, 419,  
396/535, 539–541; 206/316.2

CPC ..... G03B 15/03; G03B 17/02; G03B 17/04;  
G03B 17/08; G03B 17/56; G03B 19/04;  
H04N 5/2251; H04N 5/2252; H04N 5/2253;  
H04N 5/2254; A45C 11/38

See application file for complete search history.

(56) **References Cited**

**U.S. PATENT DOCUMENTS**

D321,704 S \* 11/1991 Leonard et al. .... D16/200  
D367,283 S \* 2/1996 Lyon et al. .... D16/208  
D419,296 S 1/2000 Shinano

D453,177 S 1/2002 Uehara  
D550,742 S 9/2007 Ishii  
D616,479 S \* 5/2010 Ganahl, Jr. .... D16/204  
D621,432 S 8/2010 Yim  
8,014,656 B2 9/2011 Woodman  
D646,313 S 10/2011 Woodman  
D647,554 S 10/2011 Yim  
D657,808 S 4/2012 Woodman  
D657,811 S 4/2012 Woodman  
D674,428 S 1/2013 Woodman  
D674,429 S 1/2013 Woodman  
8,544,643 B2 10/2013 Yim  
8,596,890 B2 12/2013 Yim et al.  
D699,947 S \* 2/2014 To et al. .... D3/294

(Continued)

*Primary Examiner* — Adir Aronovich

*Assistant Examiner* — Ramzi Almatrahi

(74) *Attorney, Agent, or Firm* — Fenwick & West LLP

(57) **CLAIM**

The ornamental design for a camera housing, as shown and described.

**DESCRIPTION**

FIG. 1 is a front, top, and right side perspective view of a camera housing showing our new design;

FIG. 2 is a front, bottom and left side perspective view thereof;

FIG. 3 is a back, top and left side perspective view thereof;

FIG. 4 is a back, bottom and right side perspective view thereof;

FIG. 5 is a front elevational view thereof;

FIG. 6 is a back elevational view thereof;

FIG. 7 is a left side elevational view thereof;

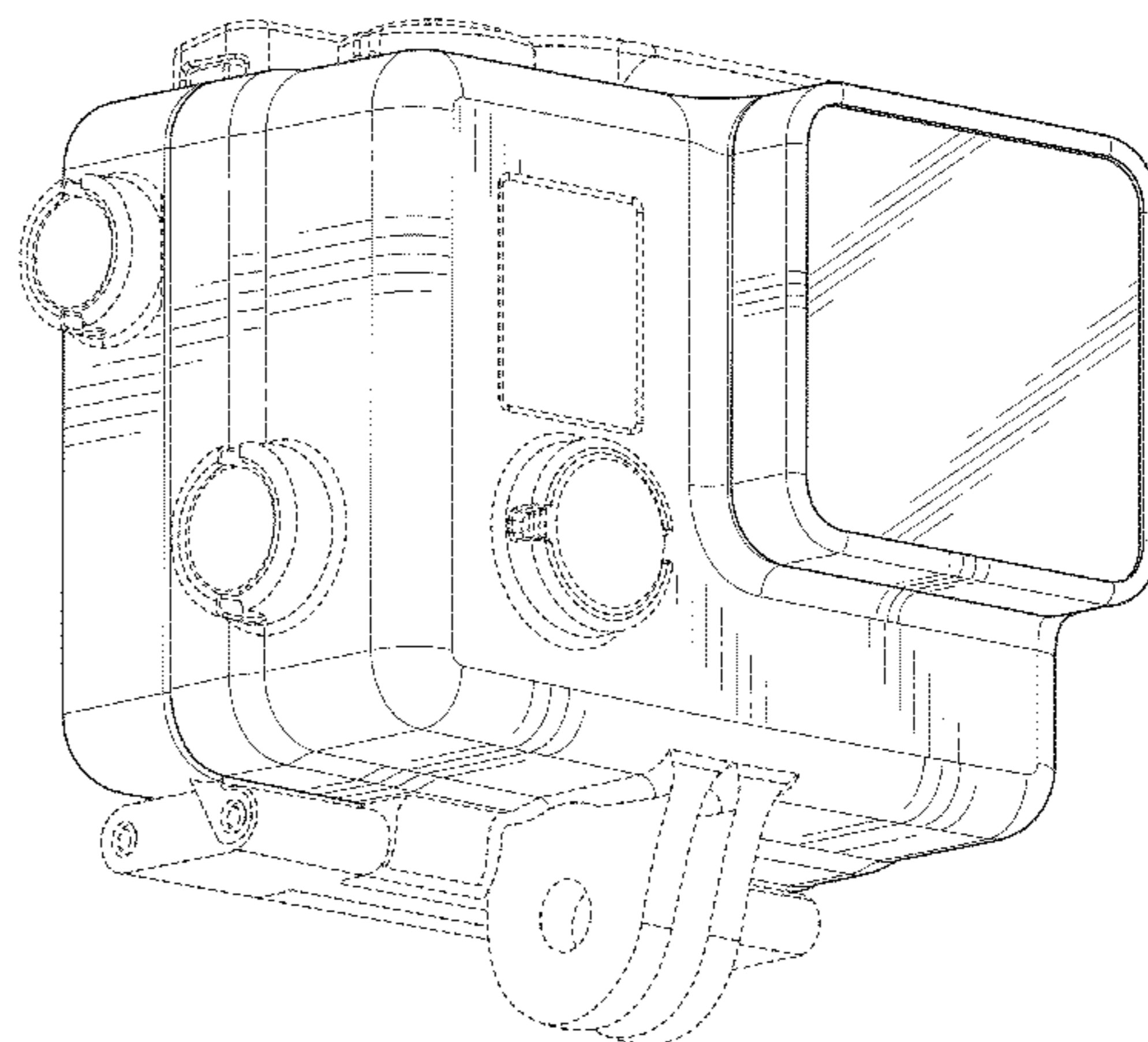
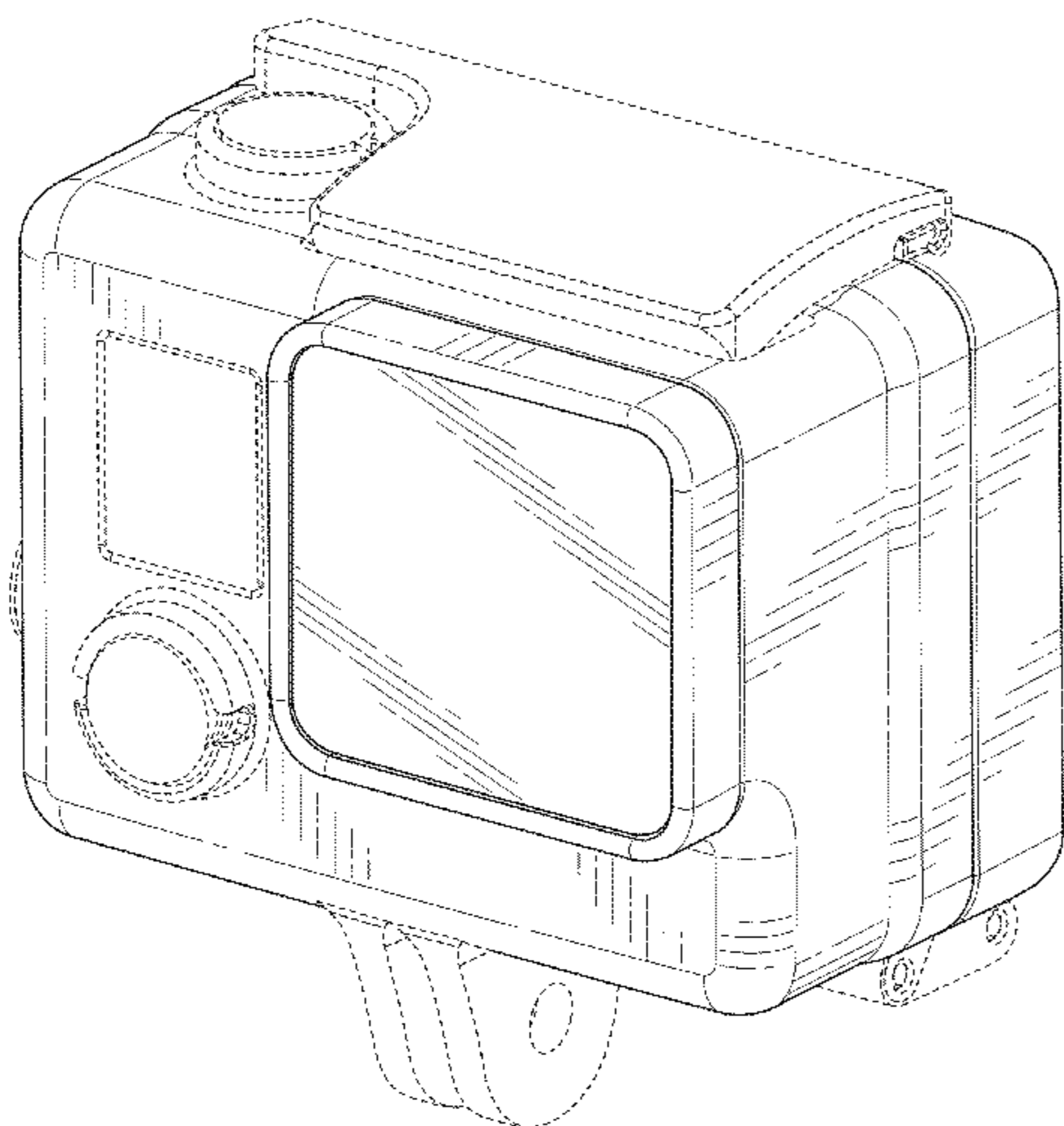
FIG. 8 is a right side elevational view thereof;

FIG. 9 is a top plan view thereof; and,

FIG. 10 is a bottom plan view thereof.

The broken lines depict portions of a camera housing in which the design is embodied and form no part of the claimed design.

**1 Claim, 10 Drawing Sheets**



# US D739,451 S

Page 2

---

(56)

## References Cited

### U.S. PATENT DOCUMENTS

D700,778 S \* 3/2014 To et al. .... D3/294  
D702,276 S 4/2014 Woodman

D702,277 S \* 4/2014 Woodman ..... D16/219  
D702,747 S 4/2014 Woodman et al.  
D724,638 S \* 3/2015 Samuels et al. .... D16/200  
D725,169 S \* 3/2015 Gioscia et al. .... D16/200

\* cited by examiner

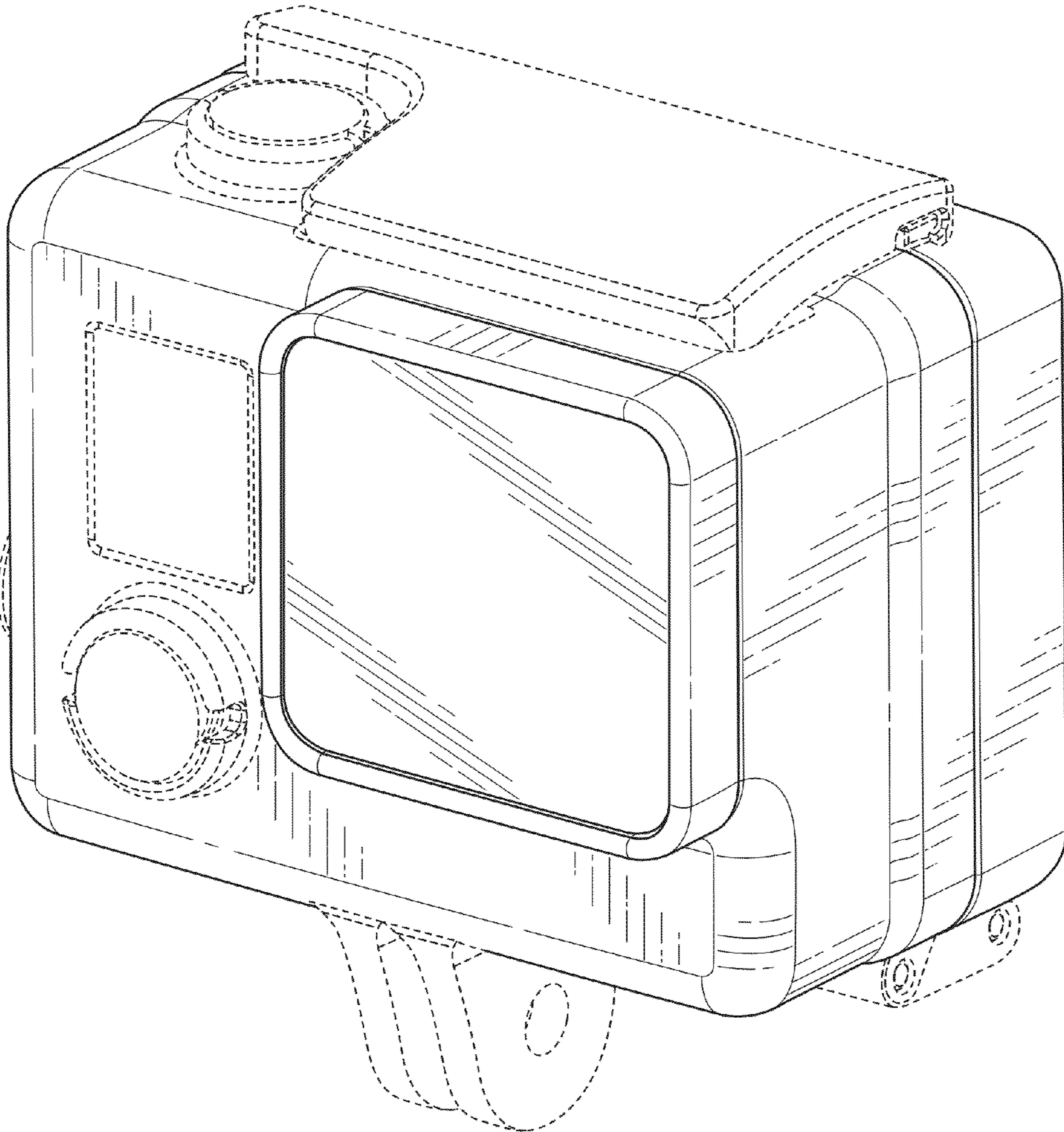


FIG. 1

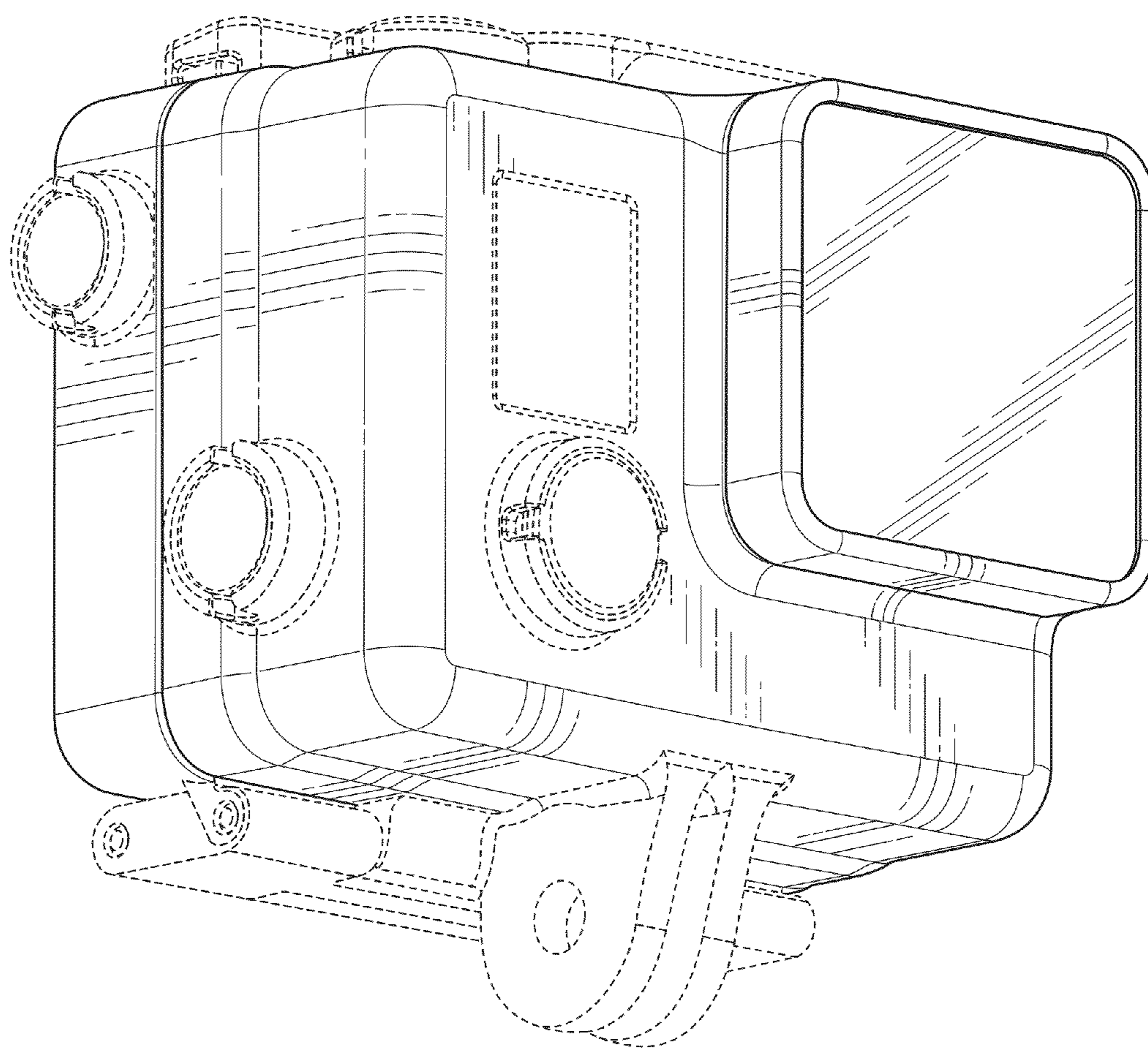


FIG. 2

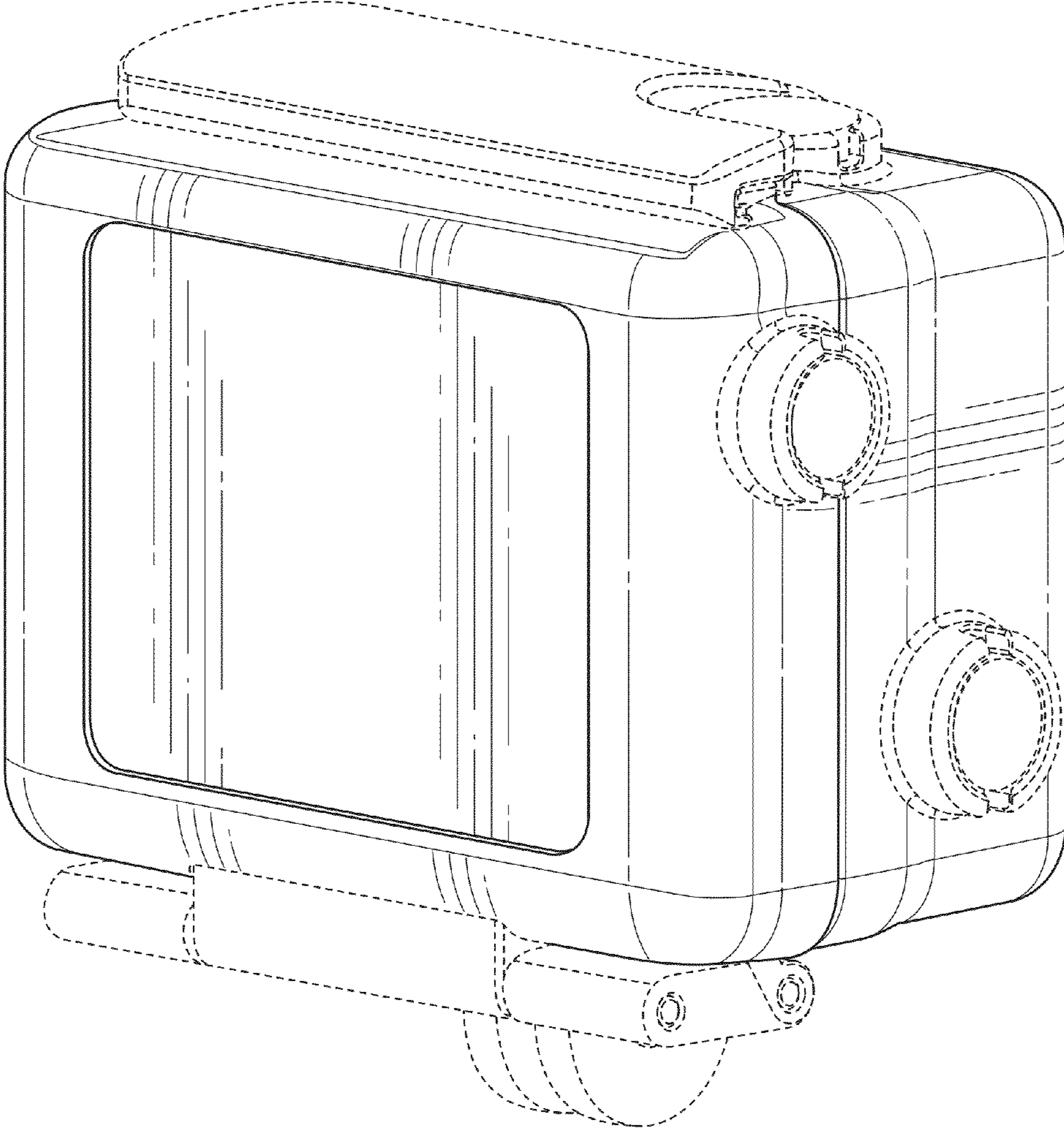


FIG. 3

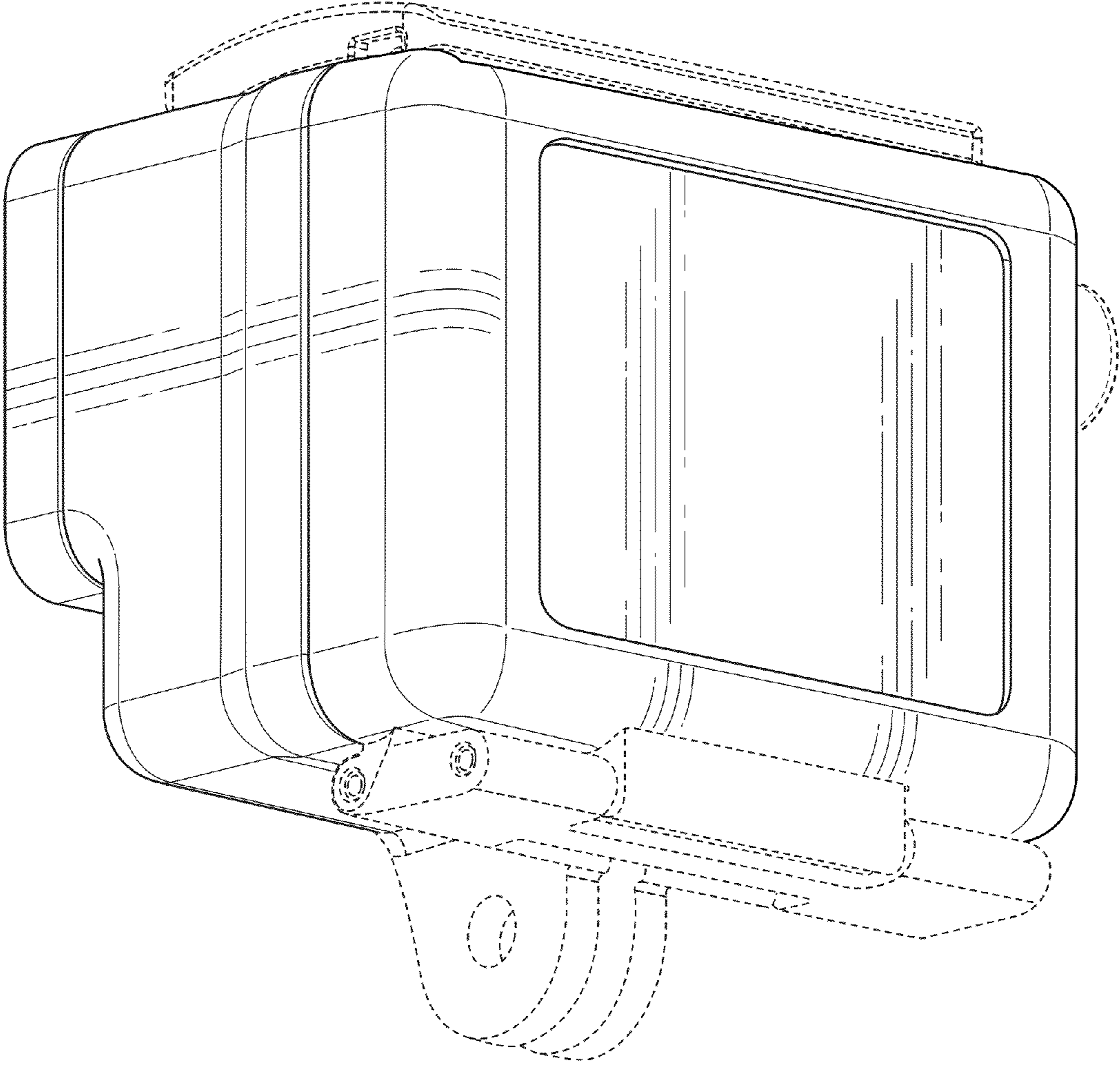


FIG. 4

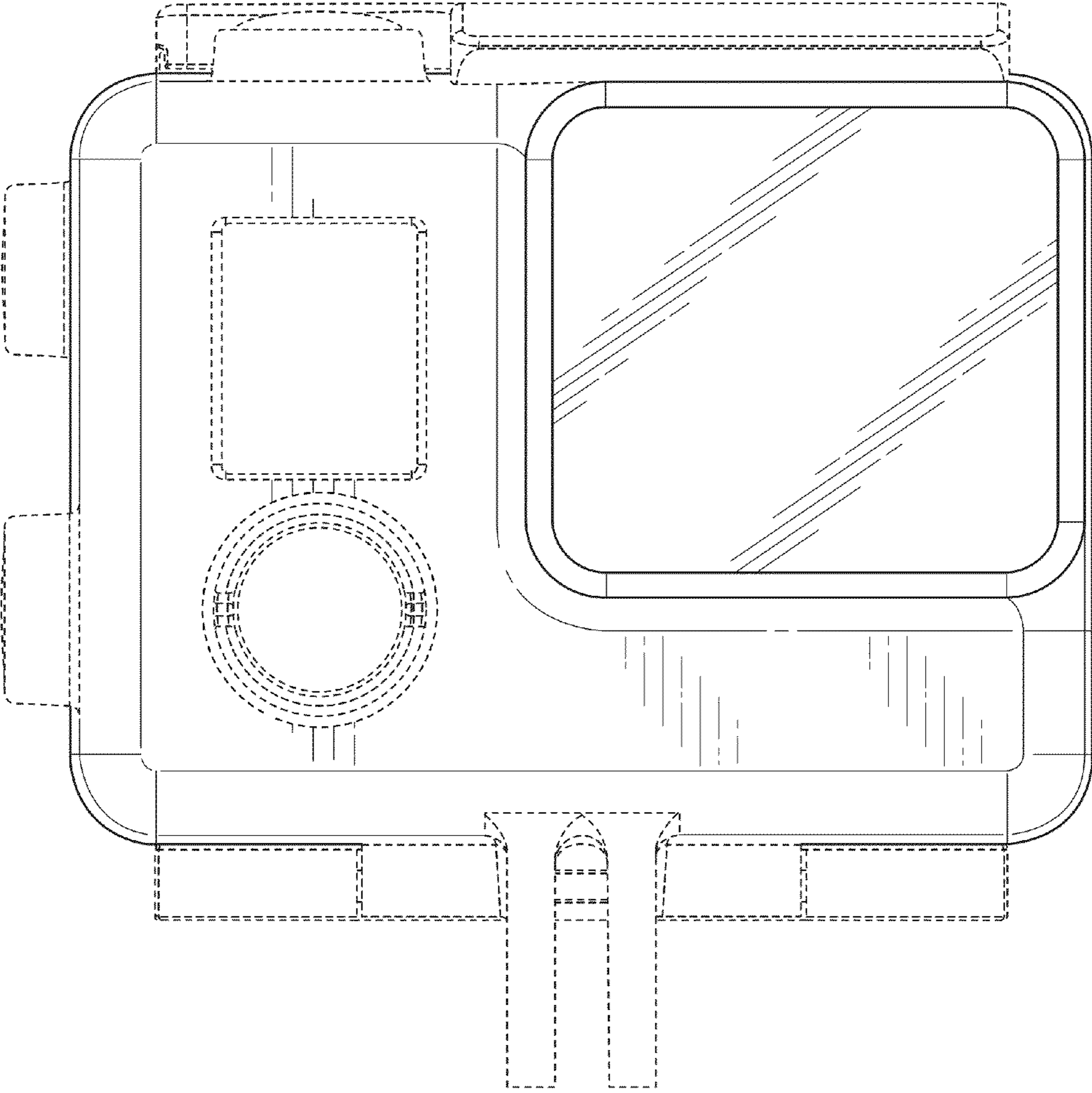


FIG. 5

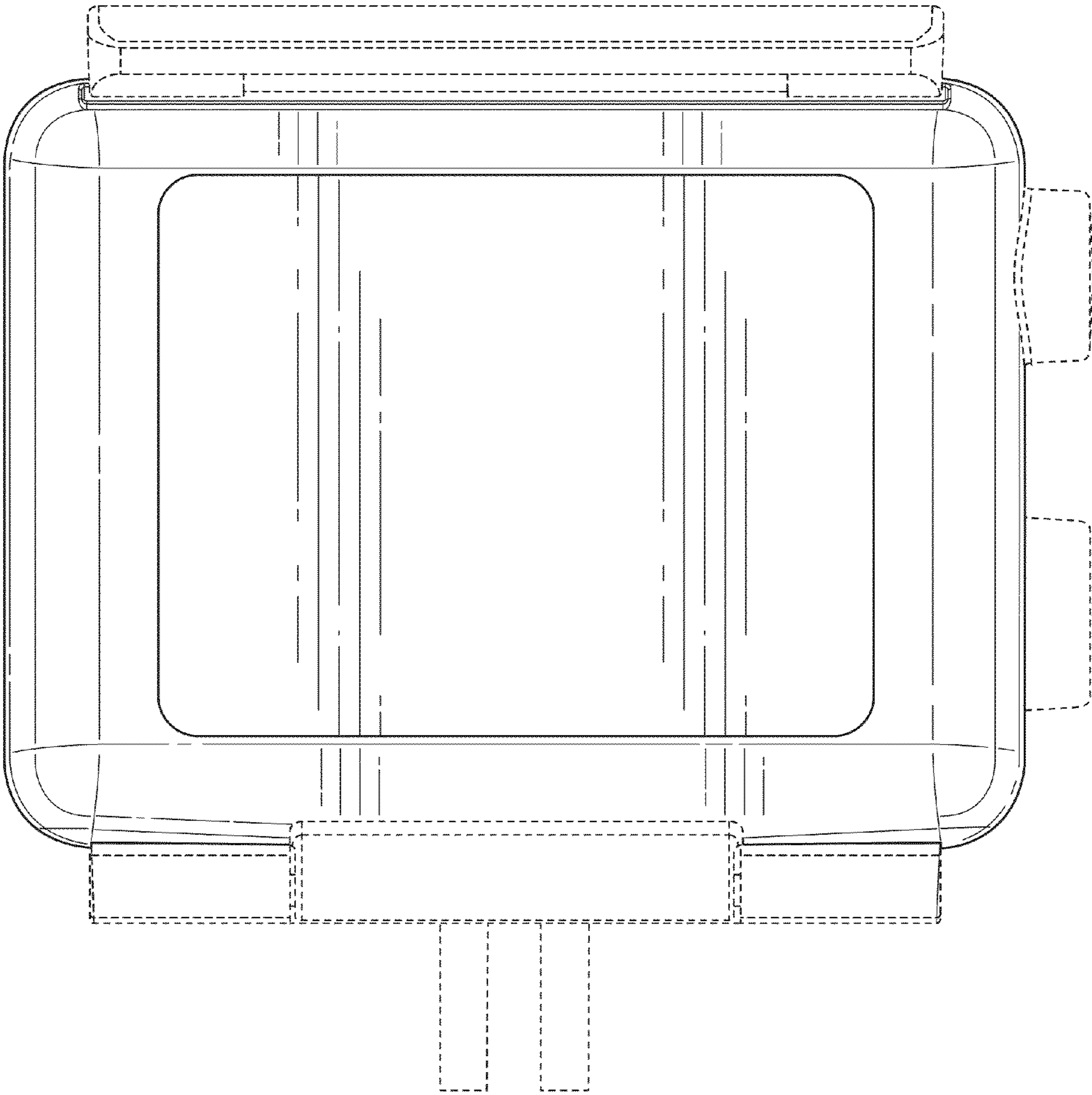


FIG. 6



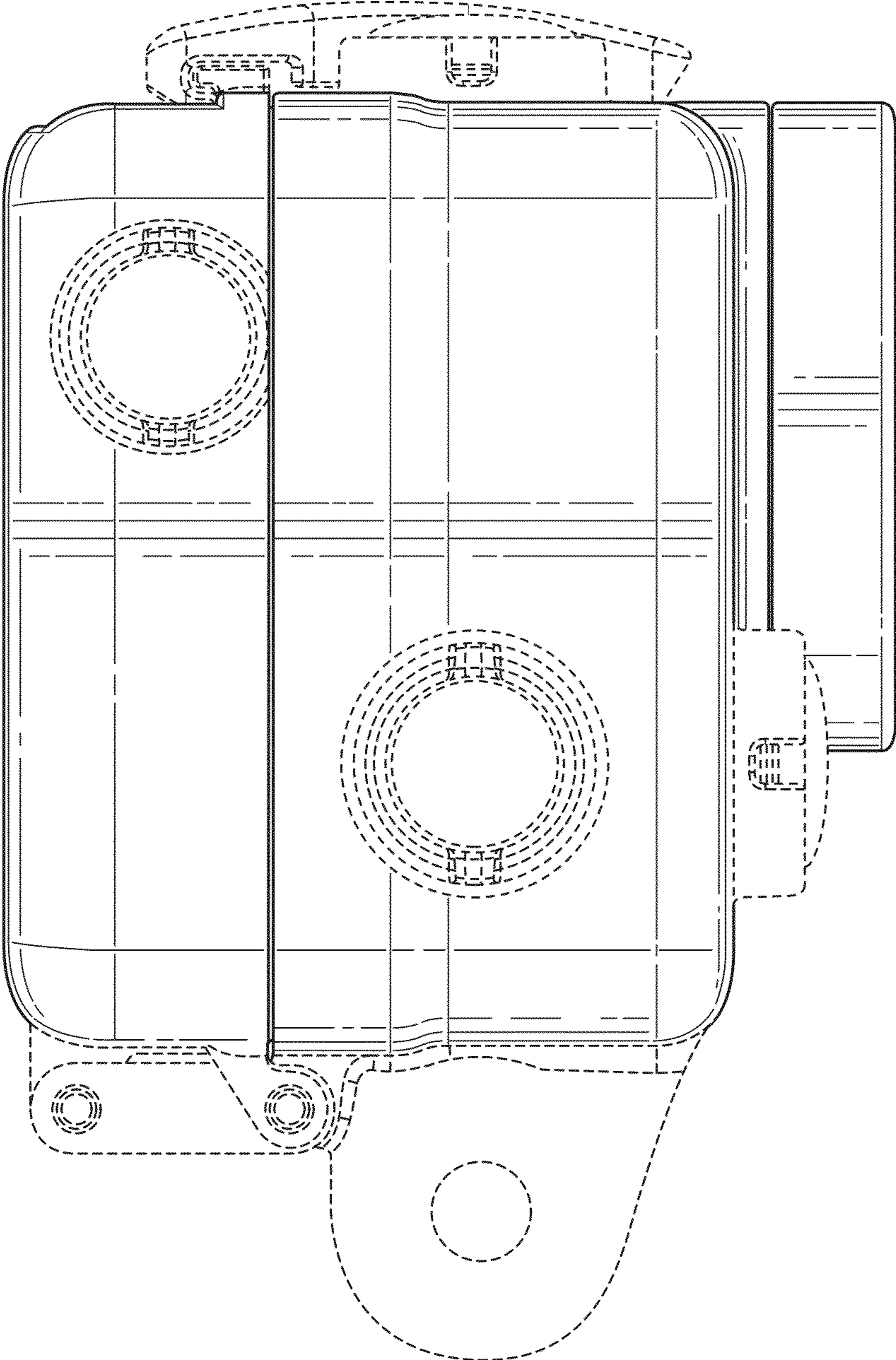


FIG. 7

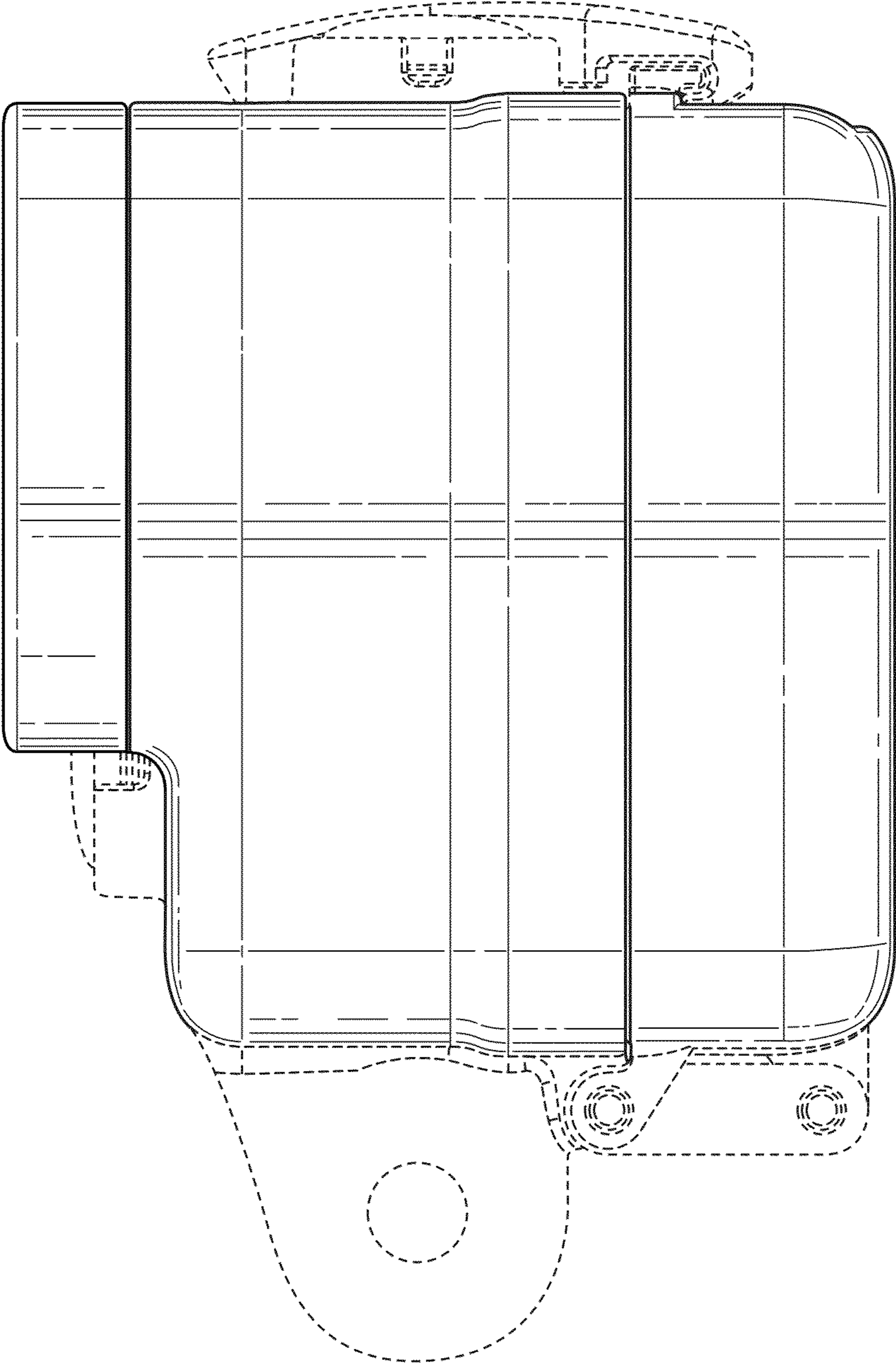


FIG. 8

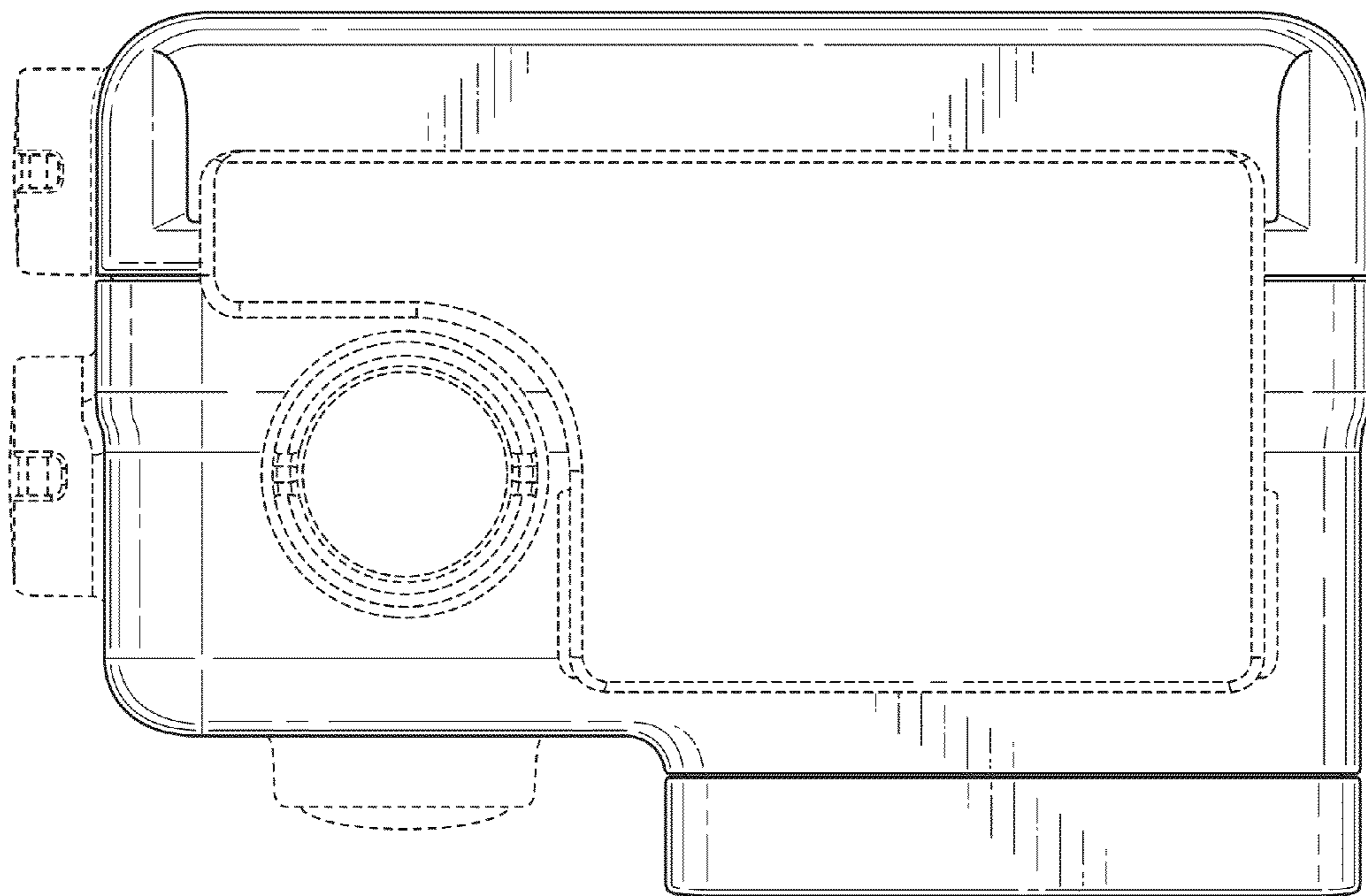


FIG. 9

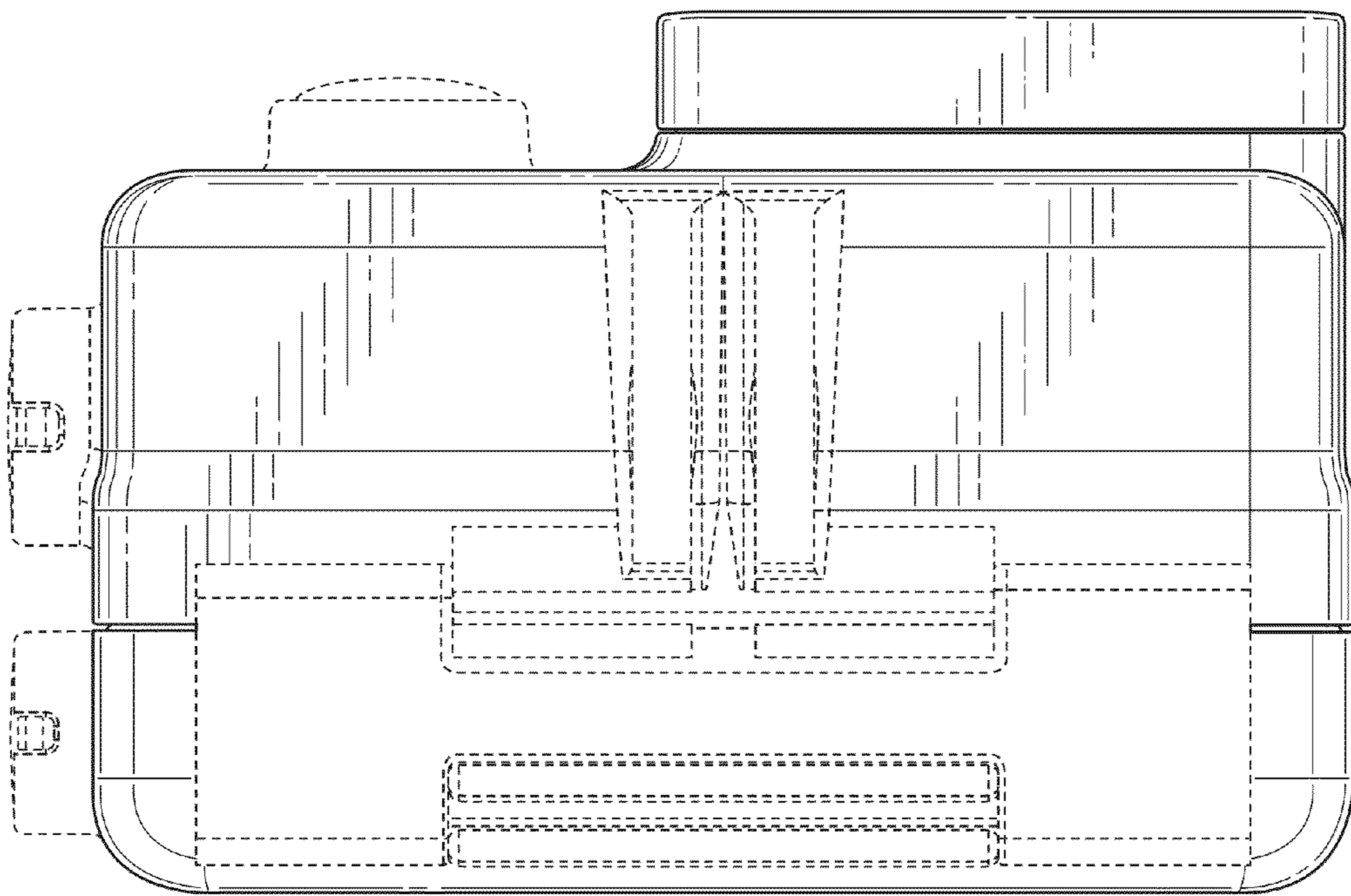


FIG. 10