



US00D739450S

(12) **United States Design Patent**
Jain et al.

(10) **Patent No.:** **US D739,450 S**

(45) **Date of Patent:** **** Sep. 22, 2015**

(54) **FINANCIAL TECHNOLOGY ROBOT**

D572,739 S * 7/2008 Jennings et al. D15/199
D579,035 S * 10/2008 Kim et al. D15/199
D585,943 S * 2/2009 Pymm et al. D20/10

(71) Applicants: **Polaris Financial Technology Ltd,**
Chennai (IN); **Geeky Technology and**
Consulting Pvt. Ltd, Chennai (IN)

(Continued)

Primary Examiner — Patricia Palasik
(74) *Attorney, Agent, or Firm* — Hamre, Schumann,
Mueller & Larson, P.C.

(72) Inventors: **Arun Jain,** Chennai (IN); **Rajesh**
Kuppuswamy, Chennai (IN); **Yogesh**
Kumar, Hassan (IN); **Balaji**
Lakshmanan, Chennai (IN)

(57) **CLAIM**
The ornamental design for a financial technology robot, as
shown and described.

DESCRIPTION

(73) Assignees: **Polaris Financial Technology Ltd.,**
Chennai (IN); **Geeky Technology and**
Consulting Pvt. Ltd., Chennai (IN)

FIG. 1 is a perspective view of a financial technology robot
according to our new design;
FIG. 2 is another perspective view of the financial technology
robot of FIG. 1;
FIG. 3 is a left perspective view of the financial technology
robot of FIG. 1;
FIG. 4 is a right perspective view of the financial technology
robot of FIG. 1;
FIG. 5 is a front view of the financial technology robot of FIG.
1;
FIG. 6 is a rear view of the financial technology robot of FIG.
1;
FIG. 7 is a perspective view of another embodiment of a
financial technology robot according to another embodiment
of our new design;
FIG. 8 is another perspective view of the financial technology
robot of FIG. 7;
FIG. 9 is a front view of the financial technology robot of FIG.
7;
FIG. 10 is a rear view of the financial technology robot of FIG.
7;
FIG. 11 is a perspective view of another embodiment of a
financial technology robot according to another embodiment
of our new design;
FIG. 12 is another perspective view of the financial technol-
ogy robot of FIG. 11;
FIG. 13 is a front view of the financial technology robot of
FIG. 11; and,
FIG. 14 is a rear view of the financial technology robot of FIG.
11.

(**) Term: **14 Years**

(21) Appl. No.: **29/461,112**

(22) Filed: **Jul. 18, 2013**

(30) **Foreign Application Priority Data**

Jul. 4, 2013 (IN) 255003

(51) **LOC (10) CL.** **15-99**

(52) **U.S. CL.**
USPC **D15/199**

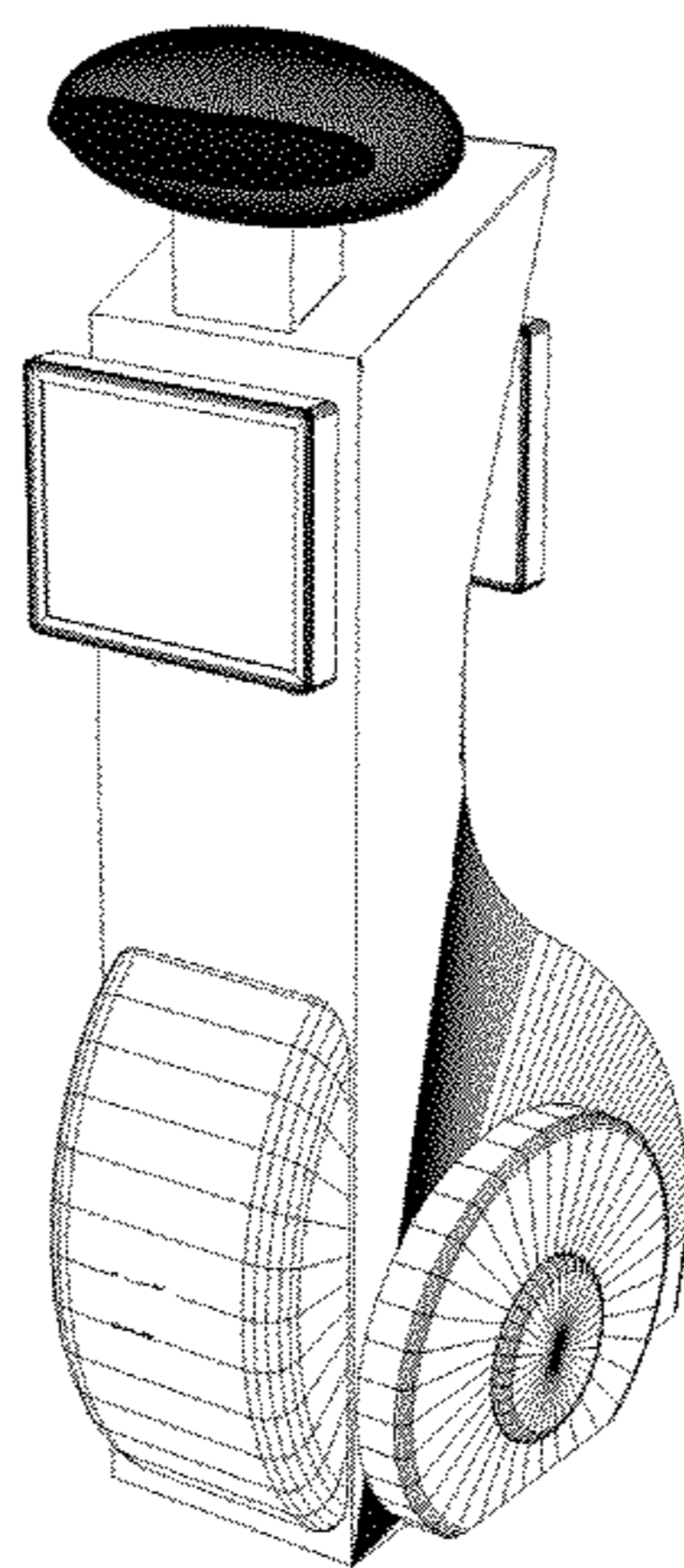
(58) **Field of Classification Search**
USPC D15/199; D21/578
See application file for complete search history.

(56) **References Cited**

U.S. PATENT DOCUMENTS

D314,401 S * 2/1991 Lehman et al. D20/3
D427,742 S * 7/2000 McCormack et al. D99/28
D431,708 S * 10/2000 McCormack et al. D99/28
7,228,203 B2 * 6/2007 Koselka et al. 700/245
D549,756 S * 8/2007 Park et al. D15/199
D553,655 S * 10/2007 Jennings et al. D15/199
D563,443 S * 3/2008 Ahn et al. D15/199
D571,678 S * 6/2008 Hinshaw D10/70

1 Claim, 14 Drawing Sheets



(56)

References Cited

U.S. PATENT DOCUMENTS

D590,387 S * 4/2009 Chen D14/307
D594,492 S * 6/2009 Stratton et al. D15/199
7,789,175 B2 * 9/2010 Tobey et al. 180/65.1
D626,353 S * 11/2010 Magruder D6/396
D627,377 S * 11/2010 Wiley et al. D15/199
D639,800 S * 6/2011 Magruder D14/307

D644,256 S * 8/2011 Kitano et al. D15/199
8,077,963 B2 * 12/2011 Wang et al. 382/153
D663,333 S * 7/2012 Kitano et al. D15/199
8,265,793 B2 * 9/2012 Cross et al. 700/259
8,272,466 B2 * 9/2012 Moriguchi et al. 180/167
D675,656 S * 2/2013 Sutherland et al. D15/199
D695,345 S * 12/2013 Park et al. D19/59
D696,658 S * 12/2013 Winston et al. D14/307
D701,256 S * 3/2014 Song et al. D15/199

* cited by examiner

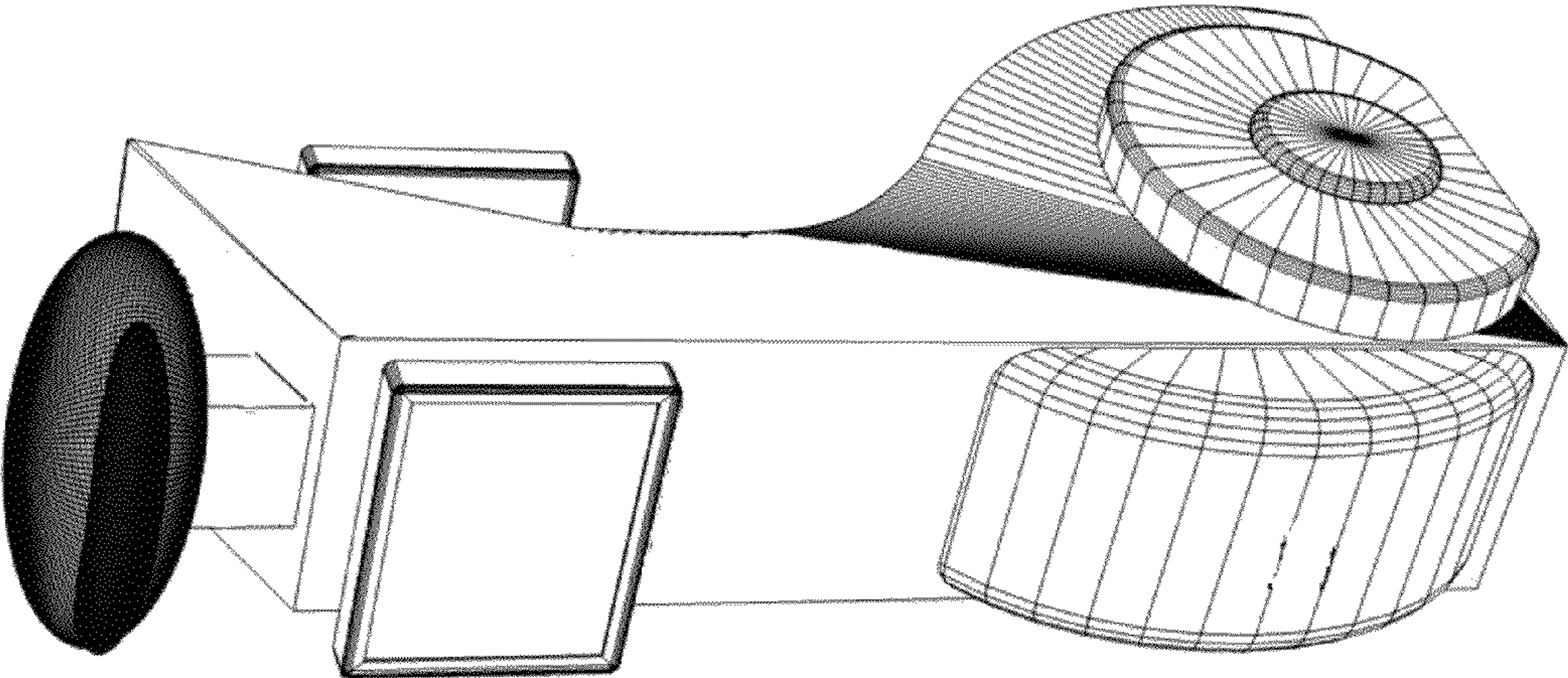


Fig. 1

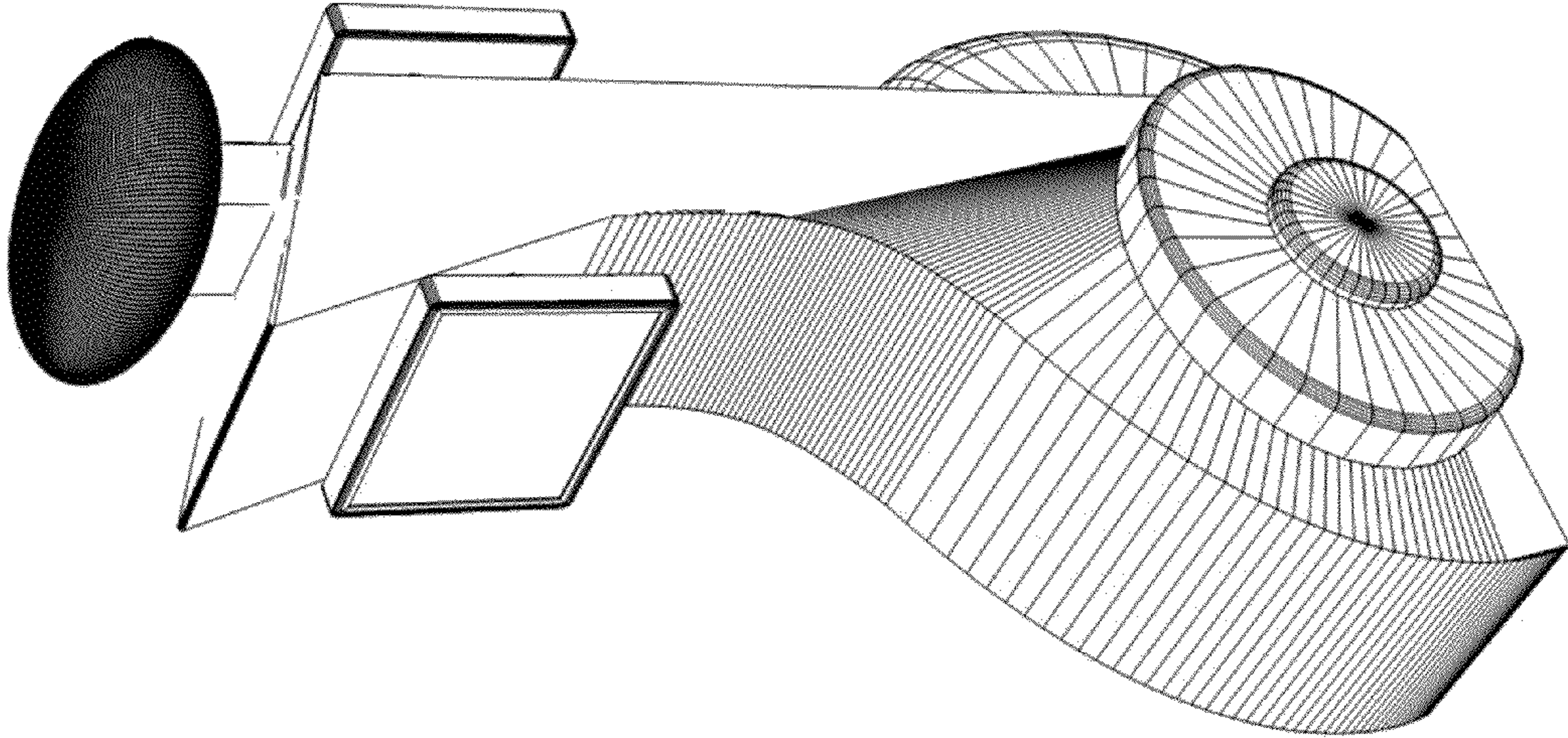


Fig. 2

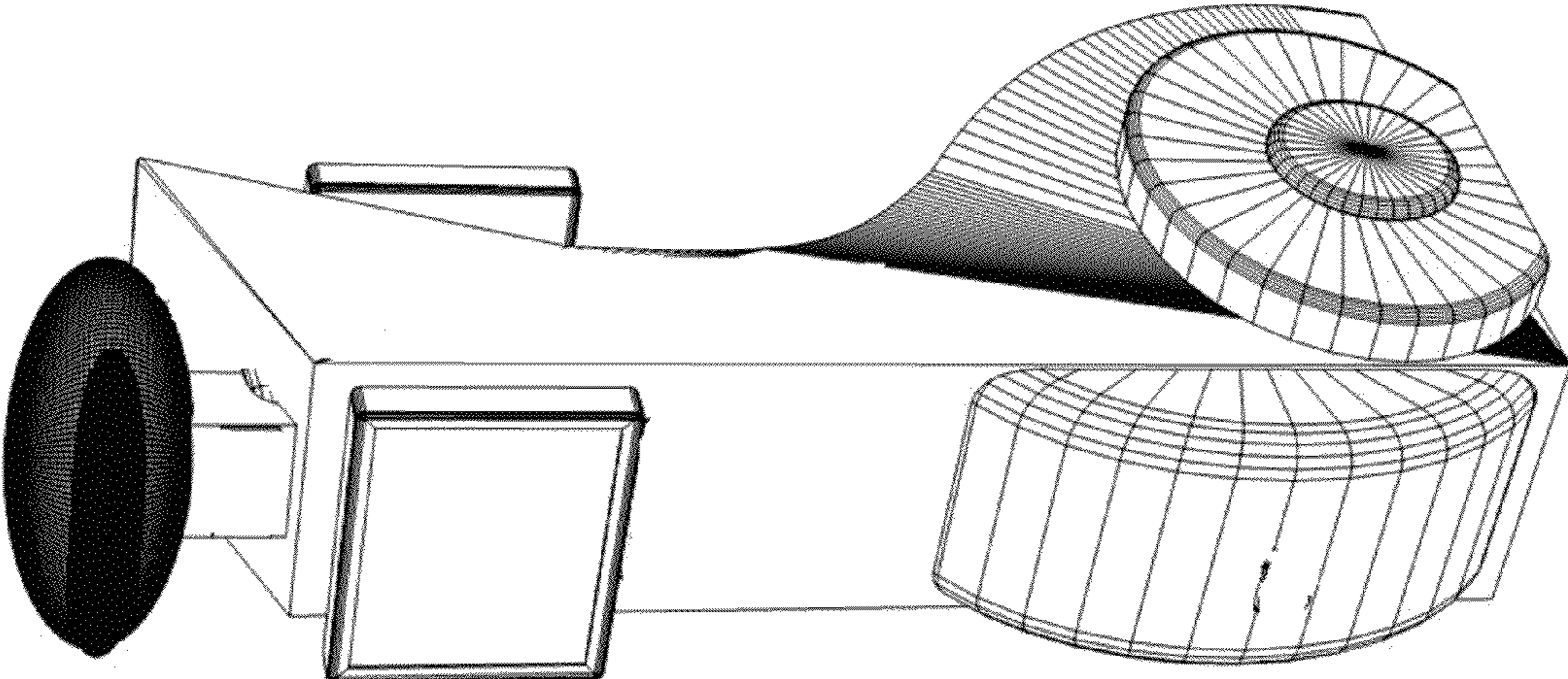


Fig. 3

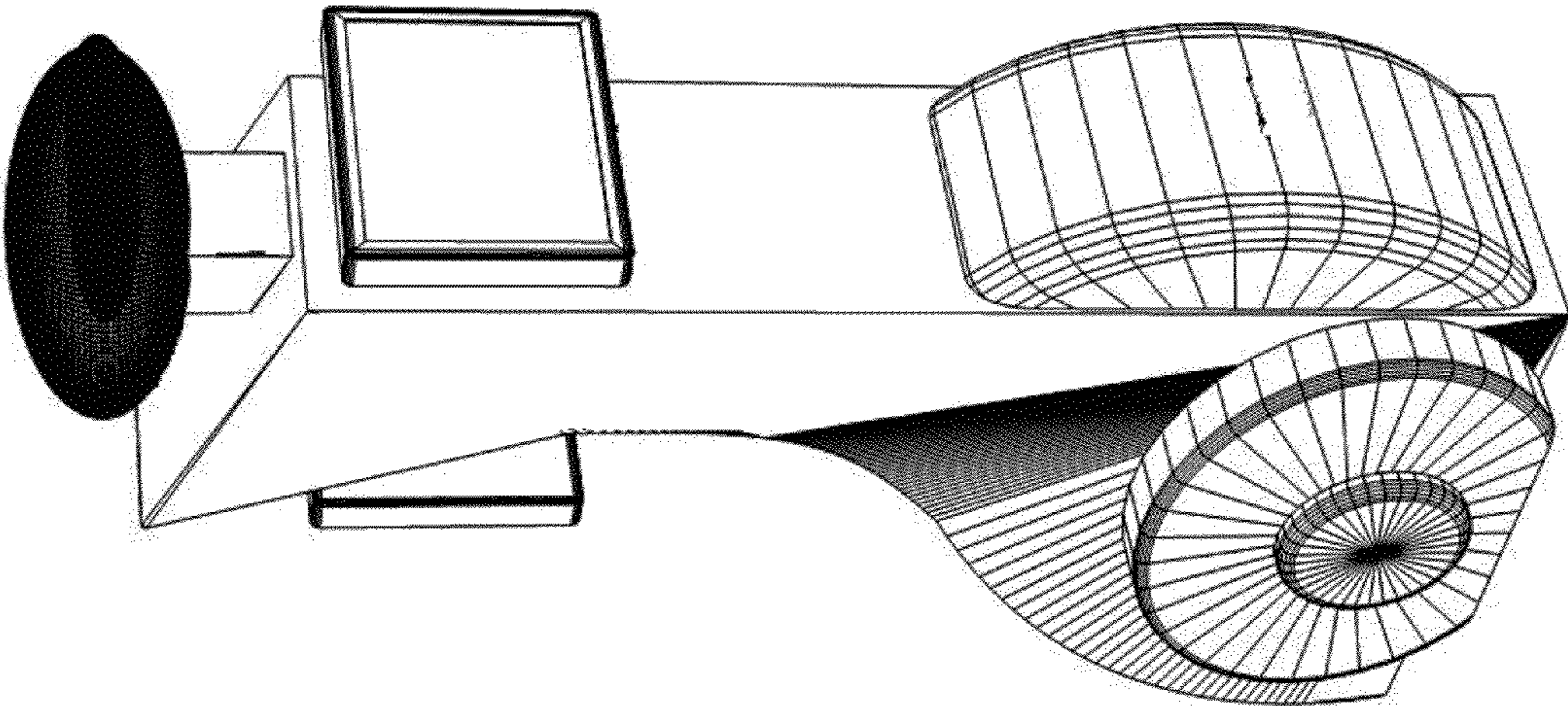


Fig. 4

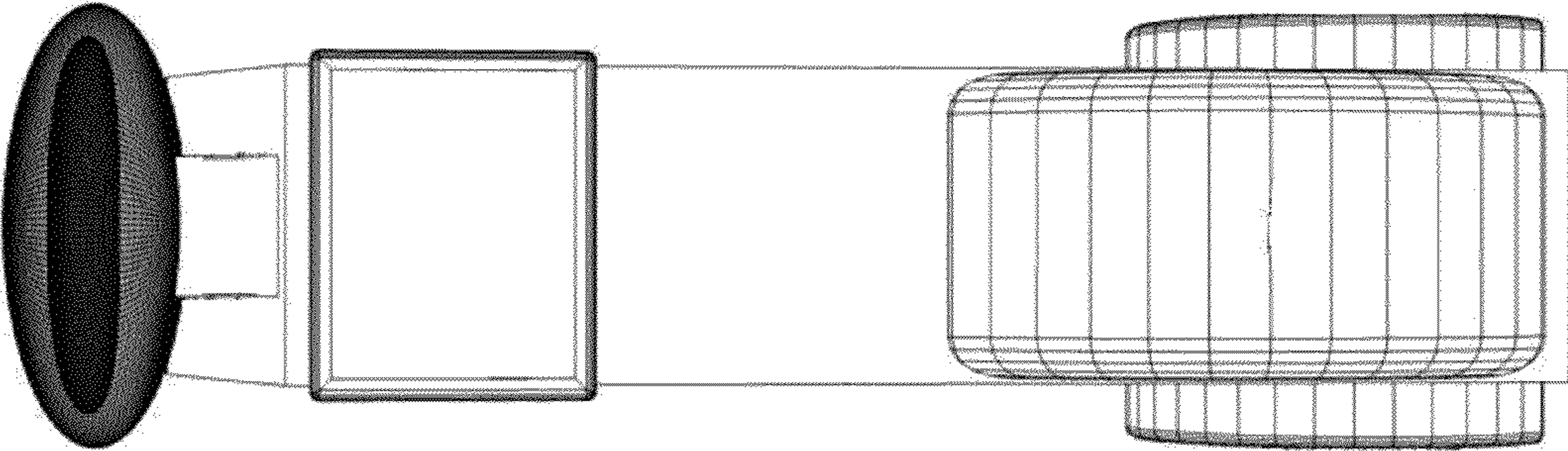


Fig. 5

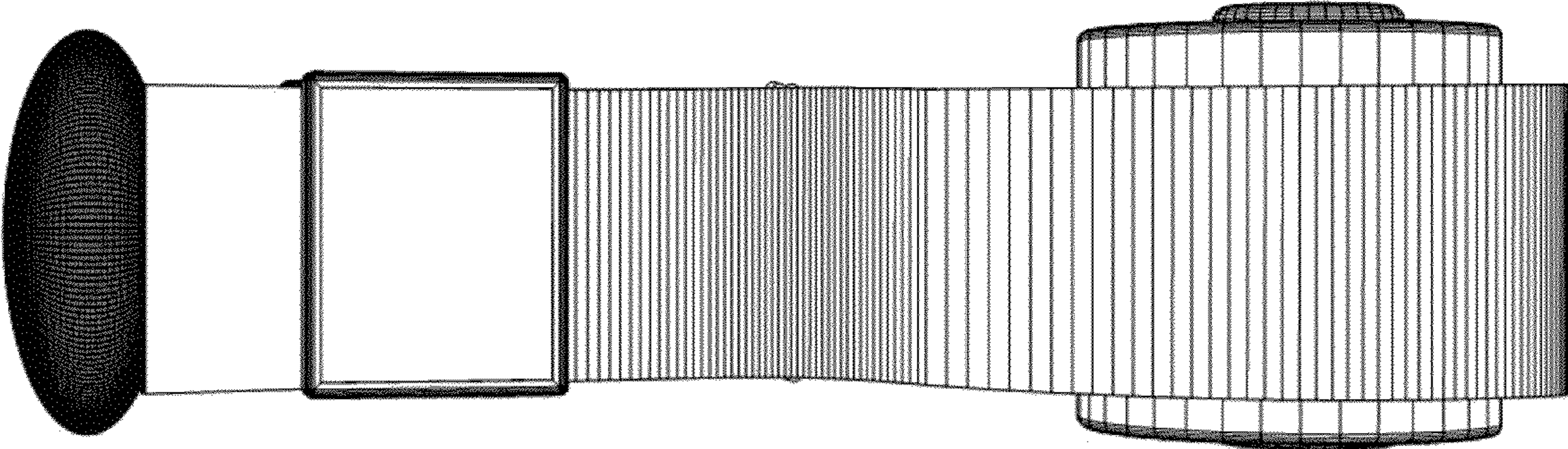


Fig. 6

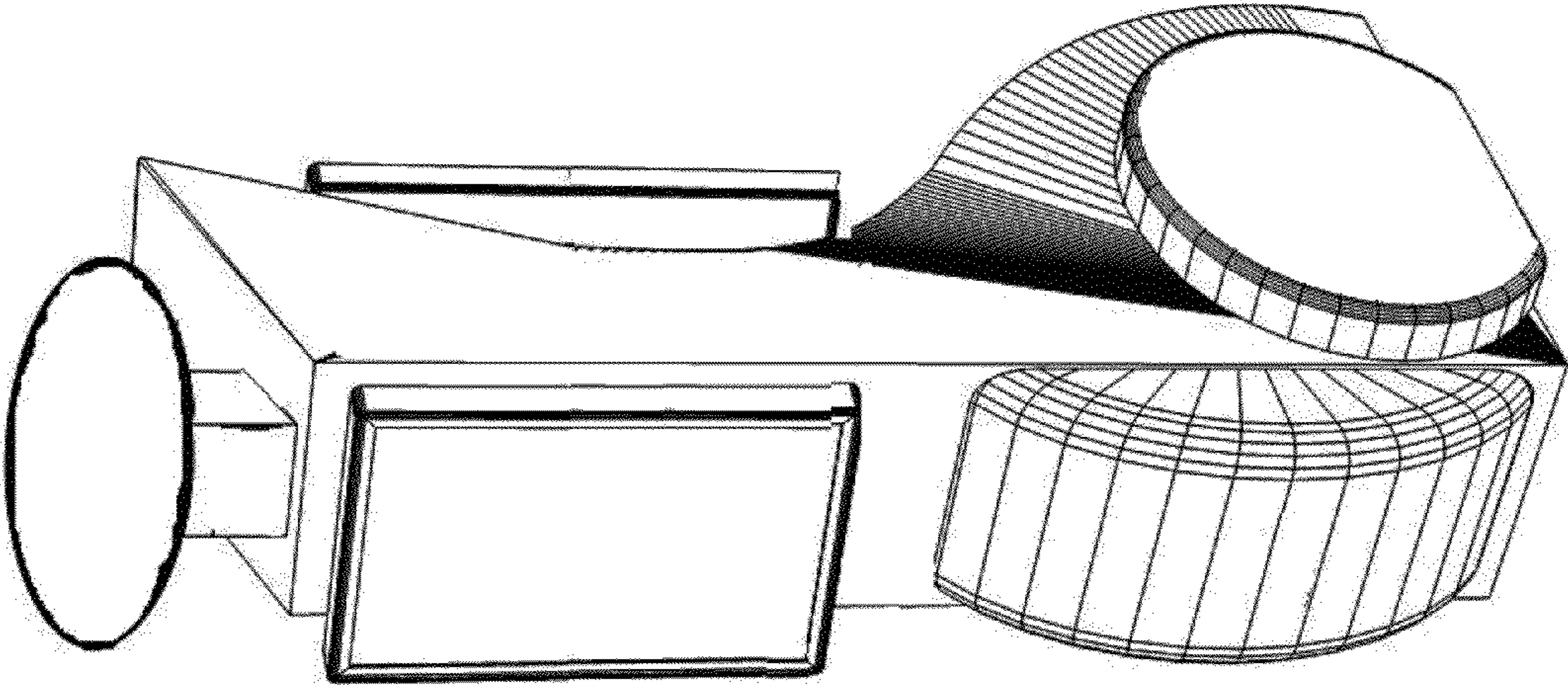


Fig. 7

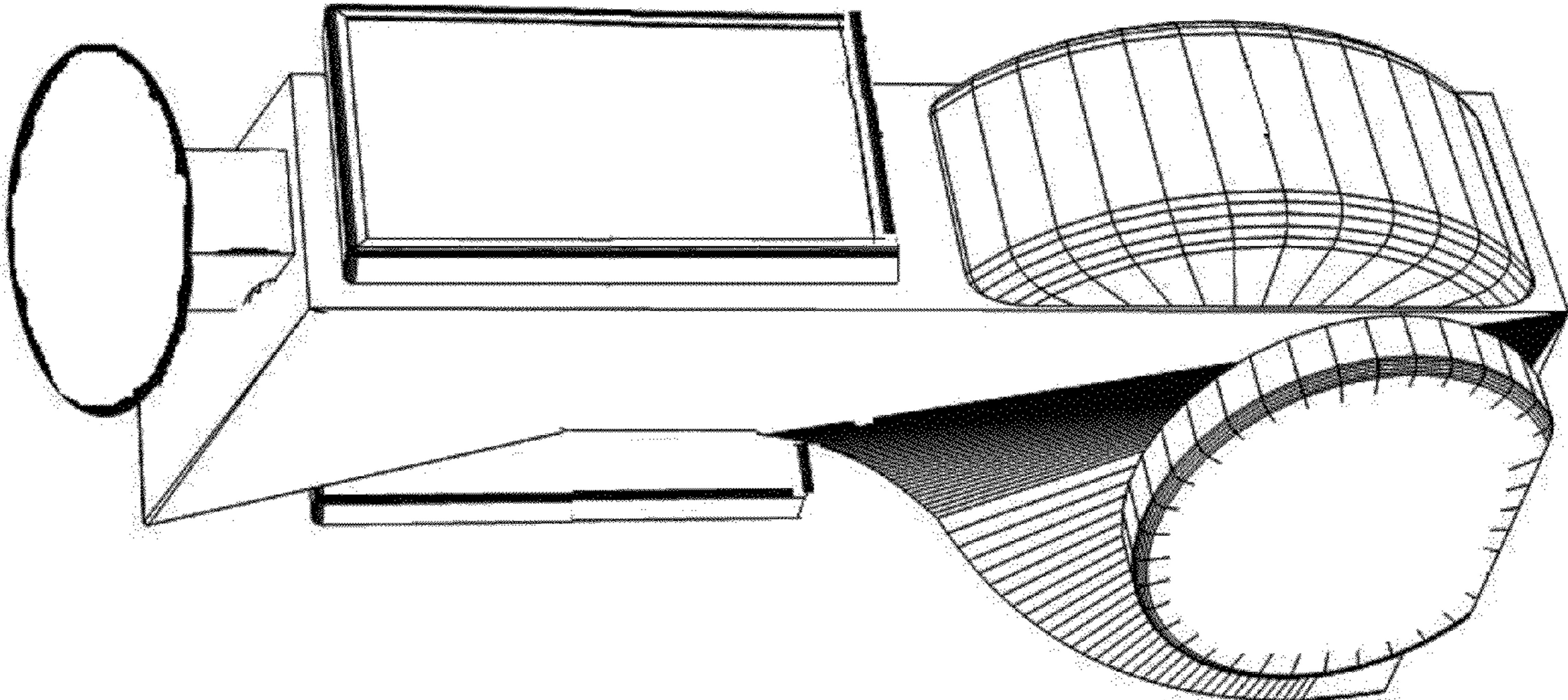


Fig. 8

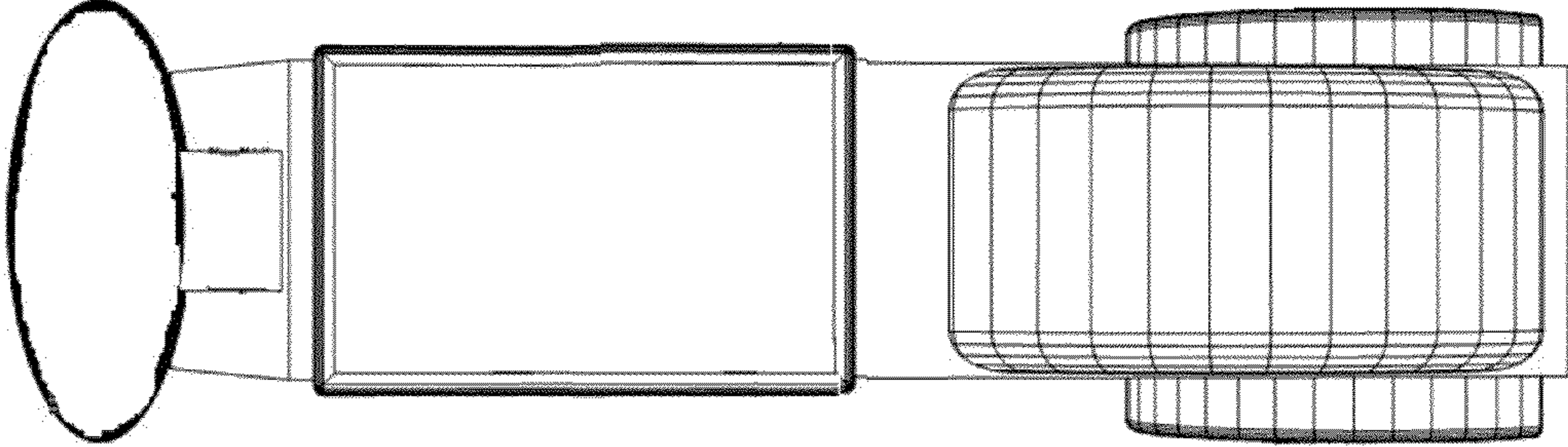


Fig. 9

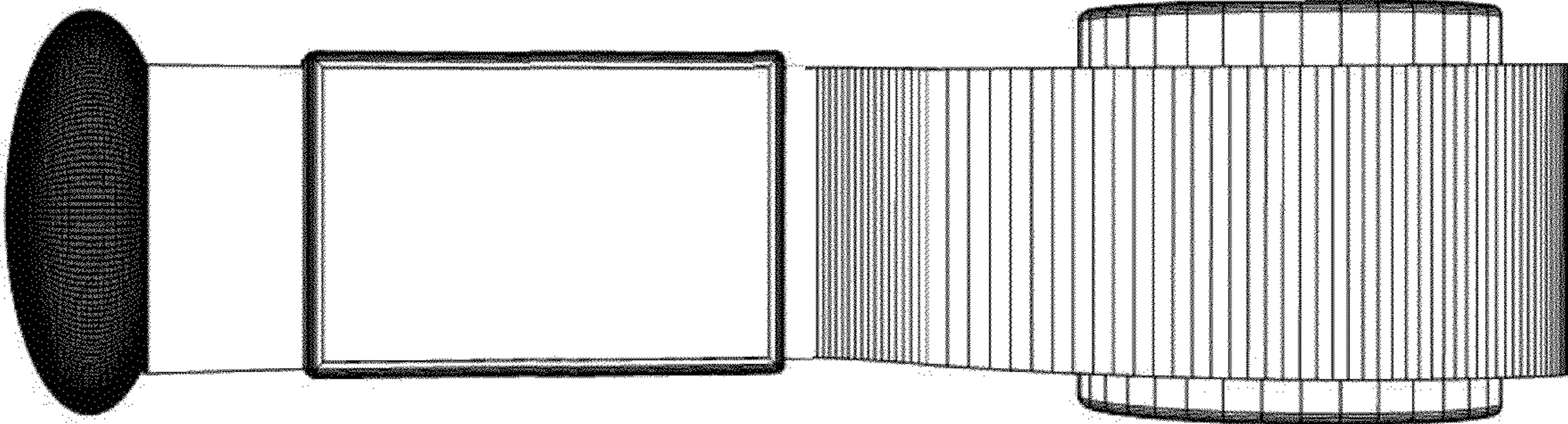


Fig. 10

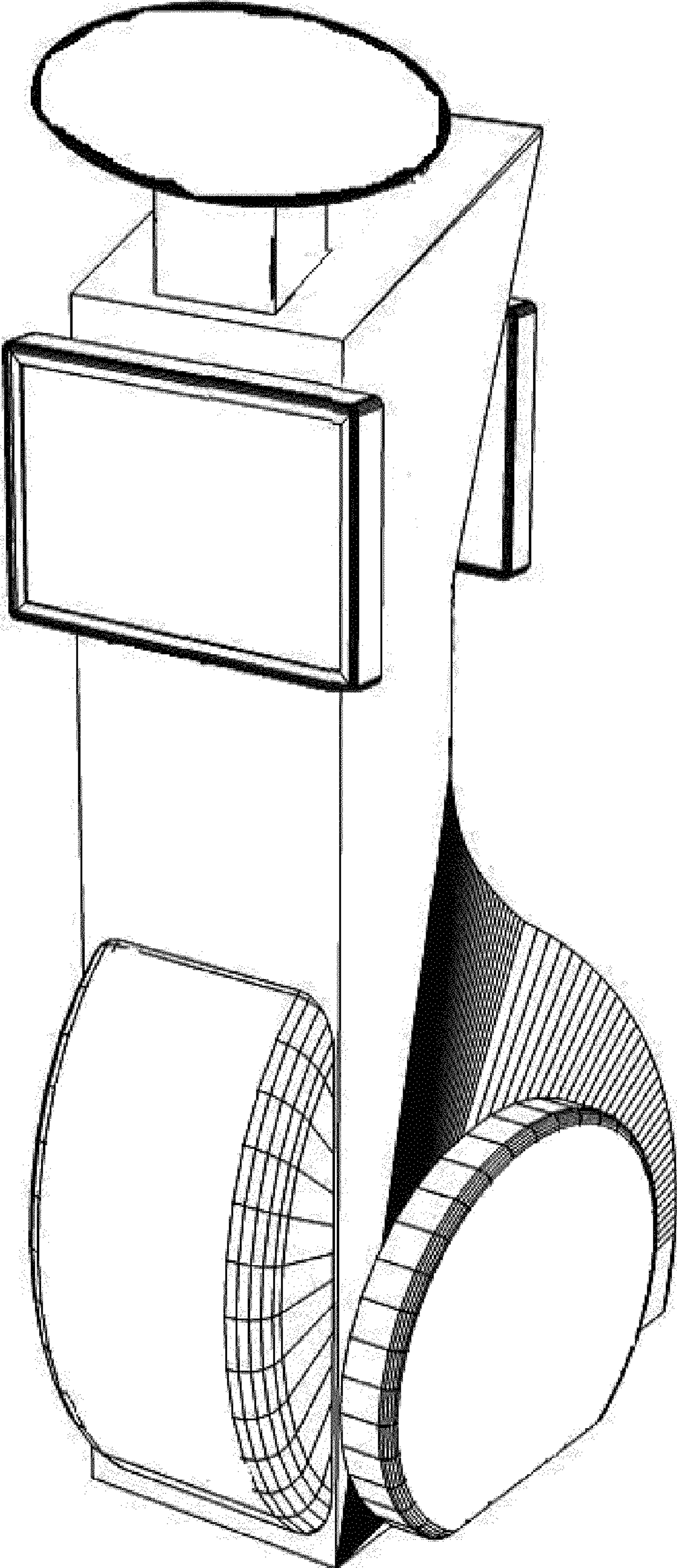


Fig. 11

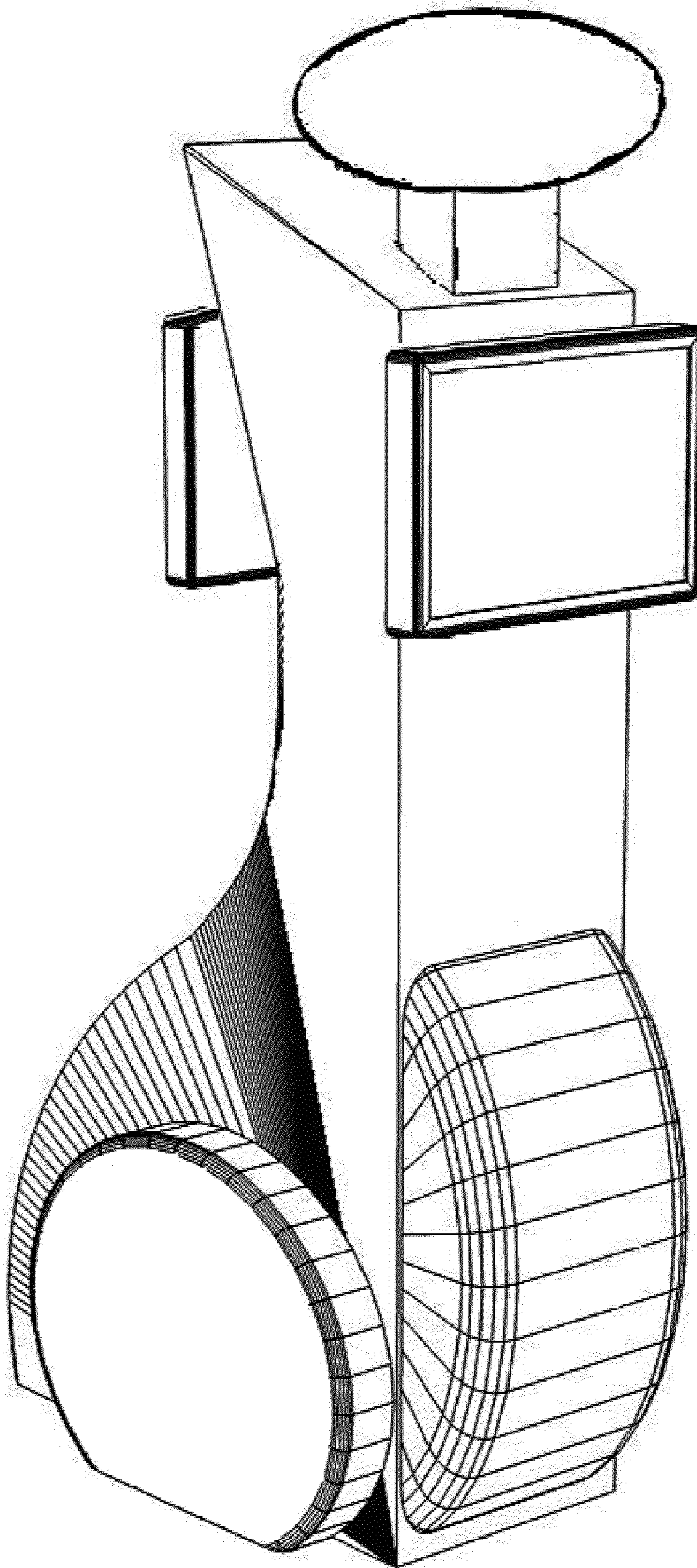


Fig. 12

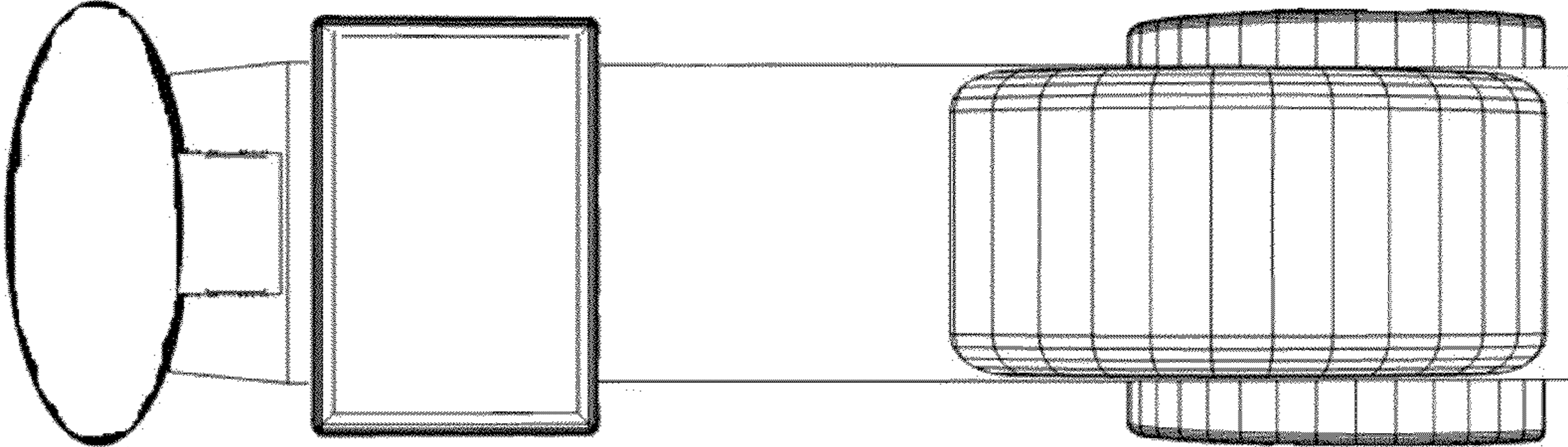


Fig. 13

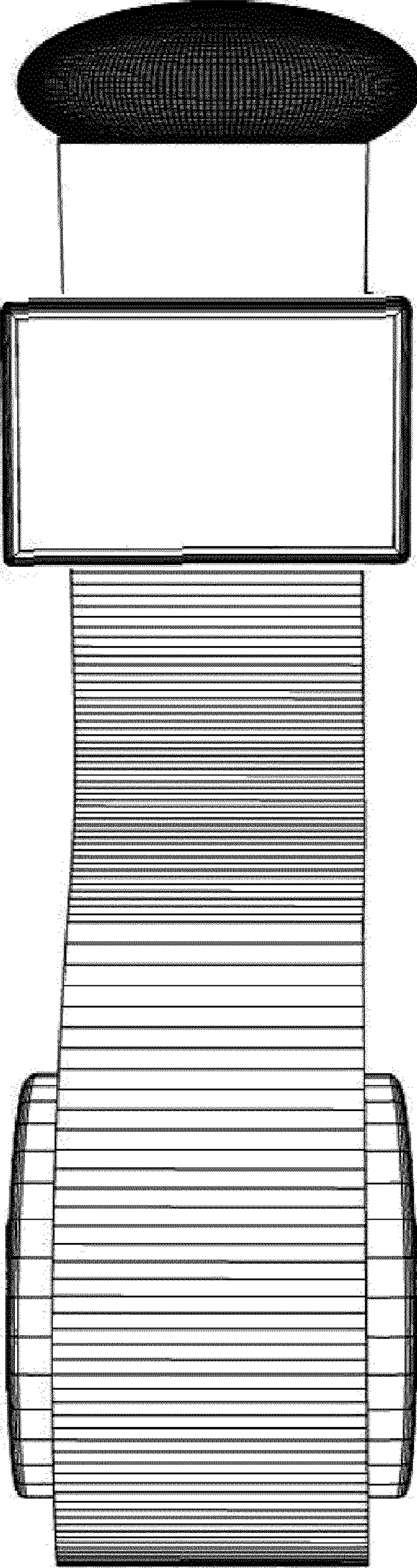


Fig. 14